



US00D359271S

**United States Patent** [19]  
**Reinholt**

[11] **Patent Number: Des. 359,271**  
[45] **Date of Patent: \*\* Jun. 13, 1995**

[54] **ELECTRICAL PLUG AND RECEPTACLE  
CAP UNIT**

[75] **Inventor: Eric K. Reinholt, R.D. 2 Box 120,  
Lewisburg, Pa. 17837**

[73] **Assignee: Eric K. Reinholt, Lewisburg, Pa.**

[\*\*] **Term: 14 Years**

[21] **Appl. No.: 27,090**

[22] **Filed: Aug. 12, 1994**

[52] **U.S. Cl. .... D13/156**

[58] **Field of Search ..... D13/154, 156; D8/350,  
D8/353; 439/133, 142, 144, 147, 373; 174/66,  
67; 220/241, 242, 307**

[56] **References Cited**

**U.S. PATENT DOCUMENTS**

D. 283,221	4/1986	West .....	D13/156
D. 390,093	7/1990	Reinholt .....	D8/353
2,722,665	11/1955	Sauder .....	174/67 X
3,335,390	8/1967	Pruonto et al. ....	439/142
4,586,765	5/1986	Ban .....	439/133

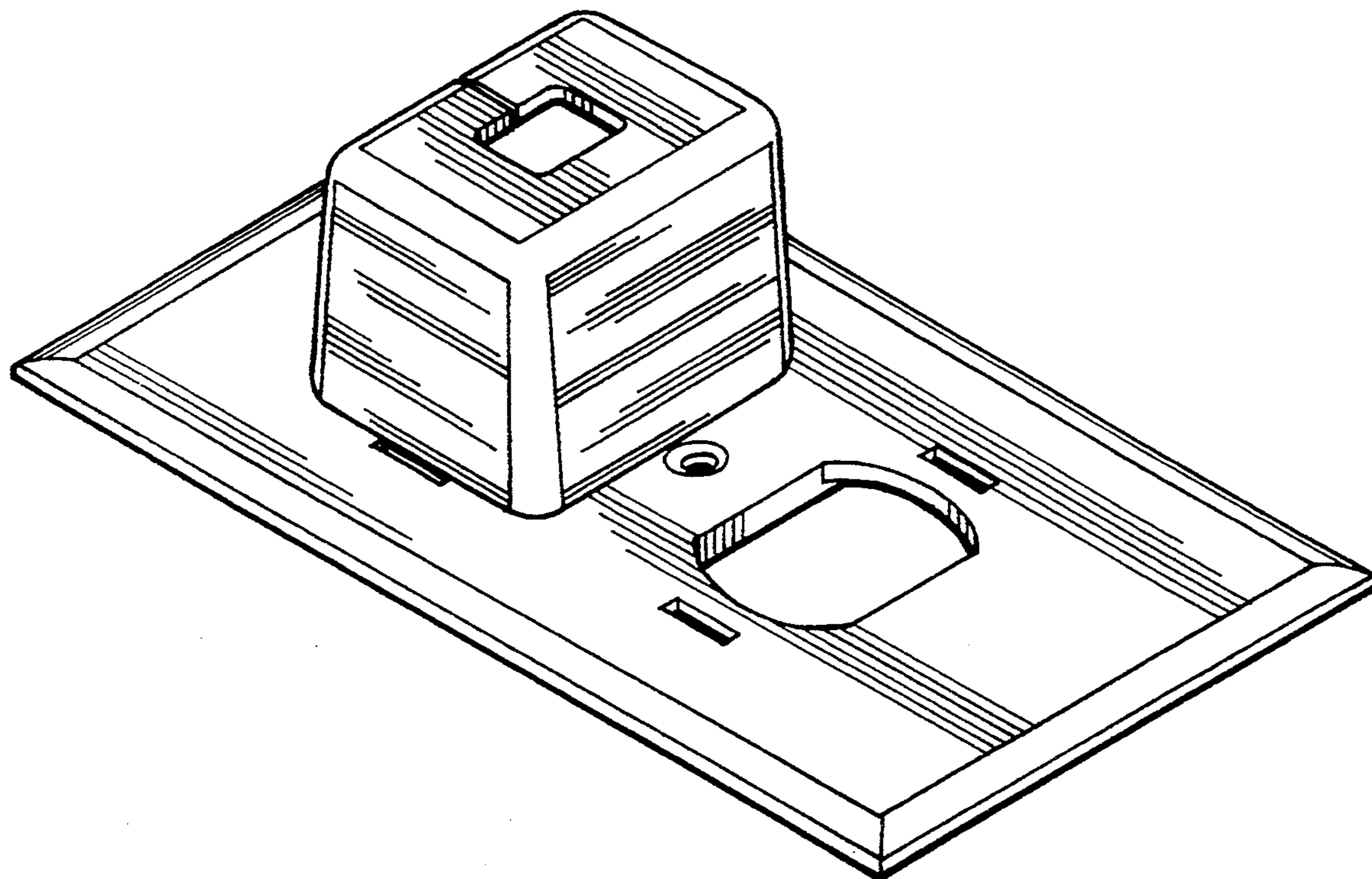
*Primary Examiner*—Joel Sincavage

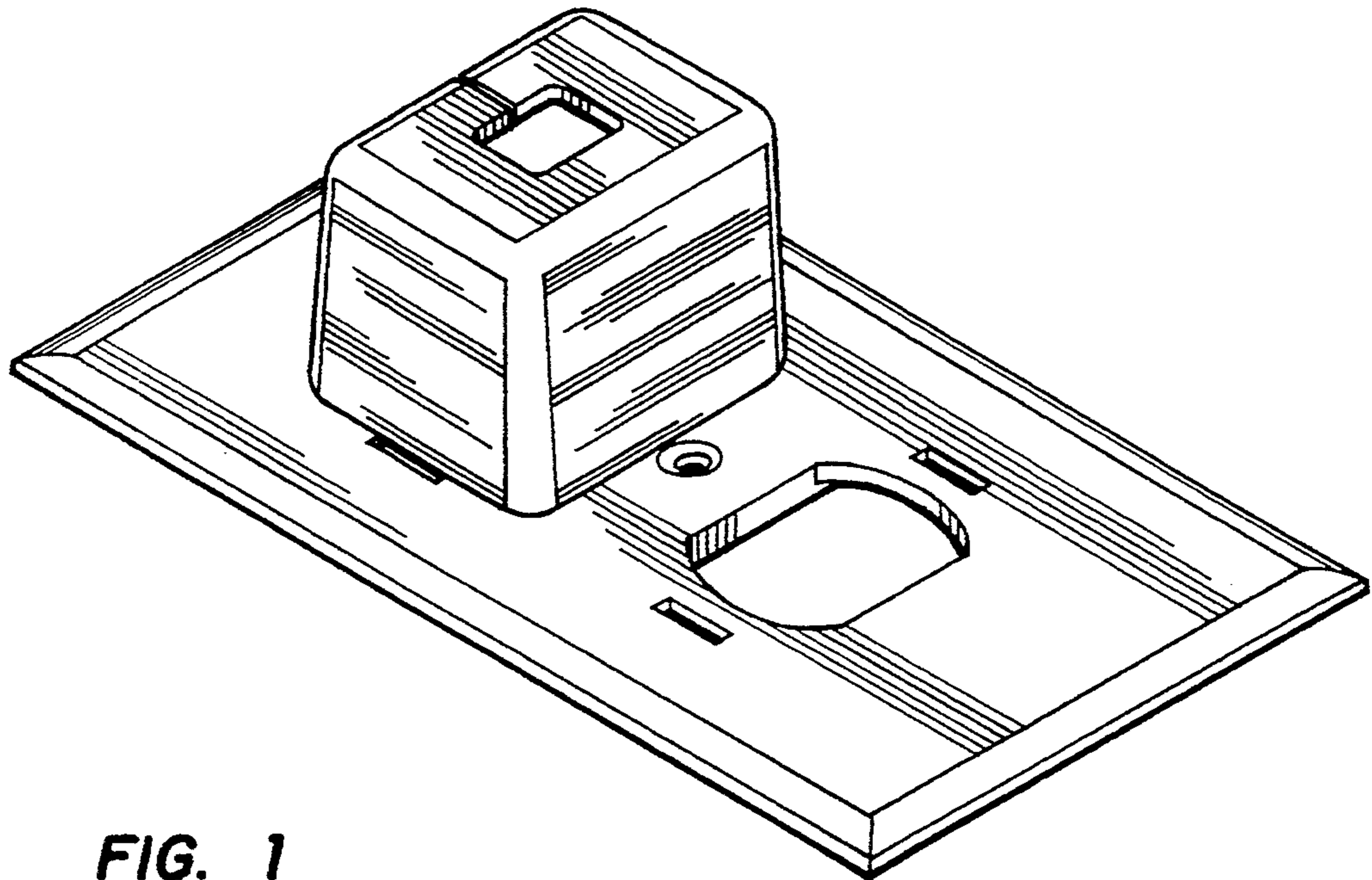
[57] **CLAIM**

The ornamental design for the electrical plug and receptacle cap unit, as shown.

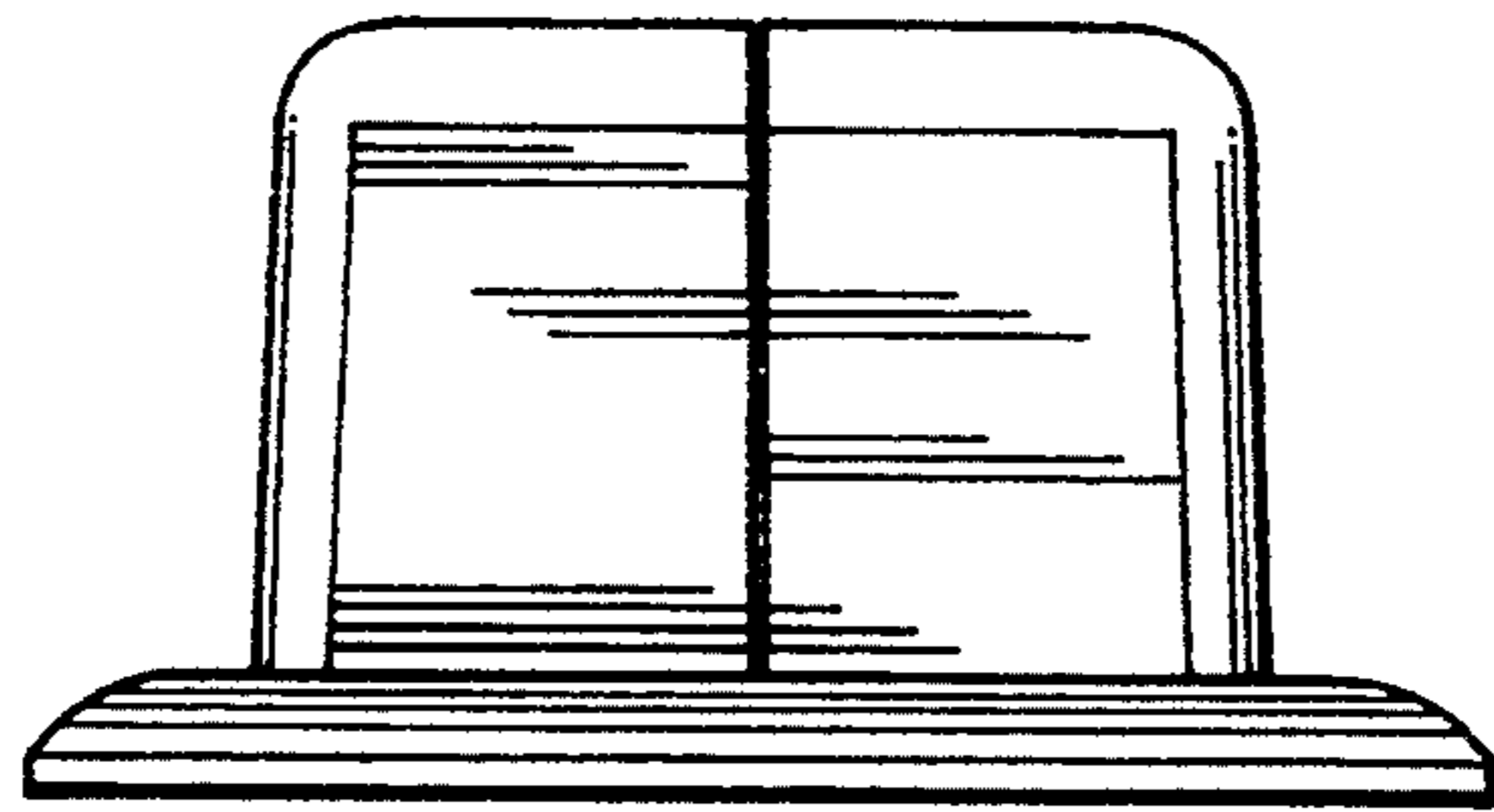
**DESCRIPTION**

FIG. 1 is an angled top and frontal view;  
FIG. 2 is a view from the top;  
FIG. 3 is a view from the side;  
FIG. 4 is a view from the bottom;  
FIG. 5 is a view of the front; and,  
FIG. 6 is a view of the back.

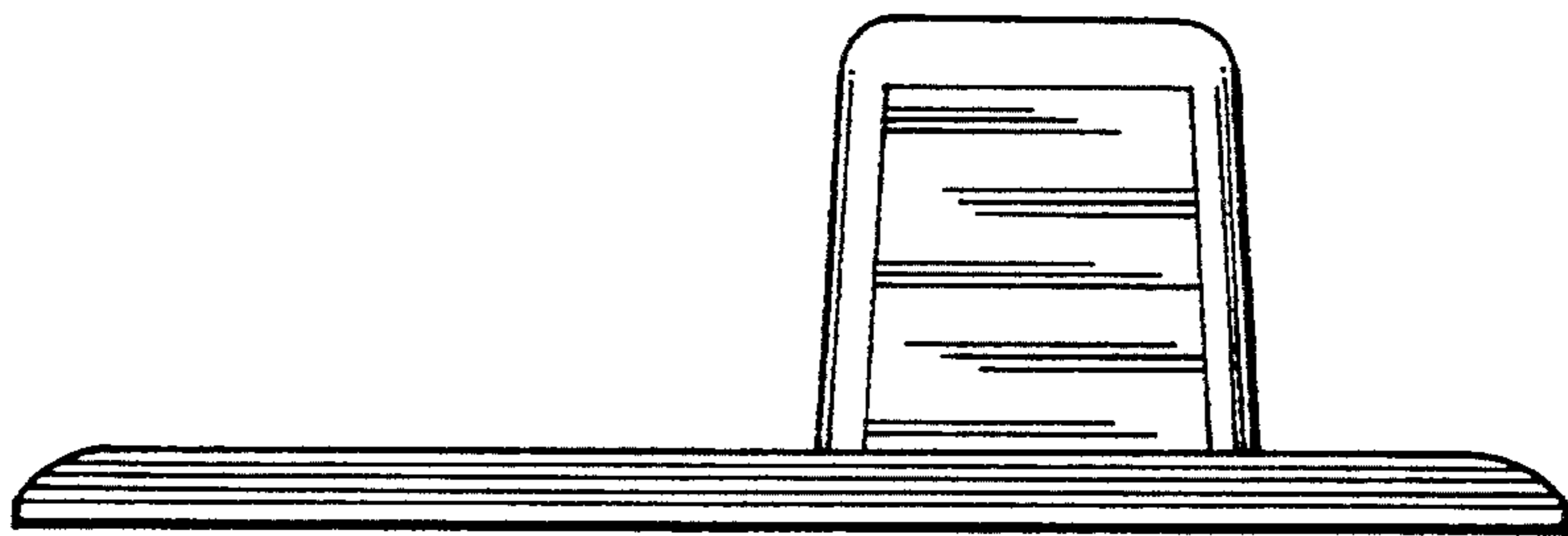




**FIG. 1**



**FIG. 2**



**FIG. 3**

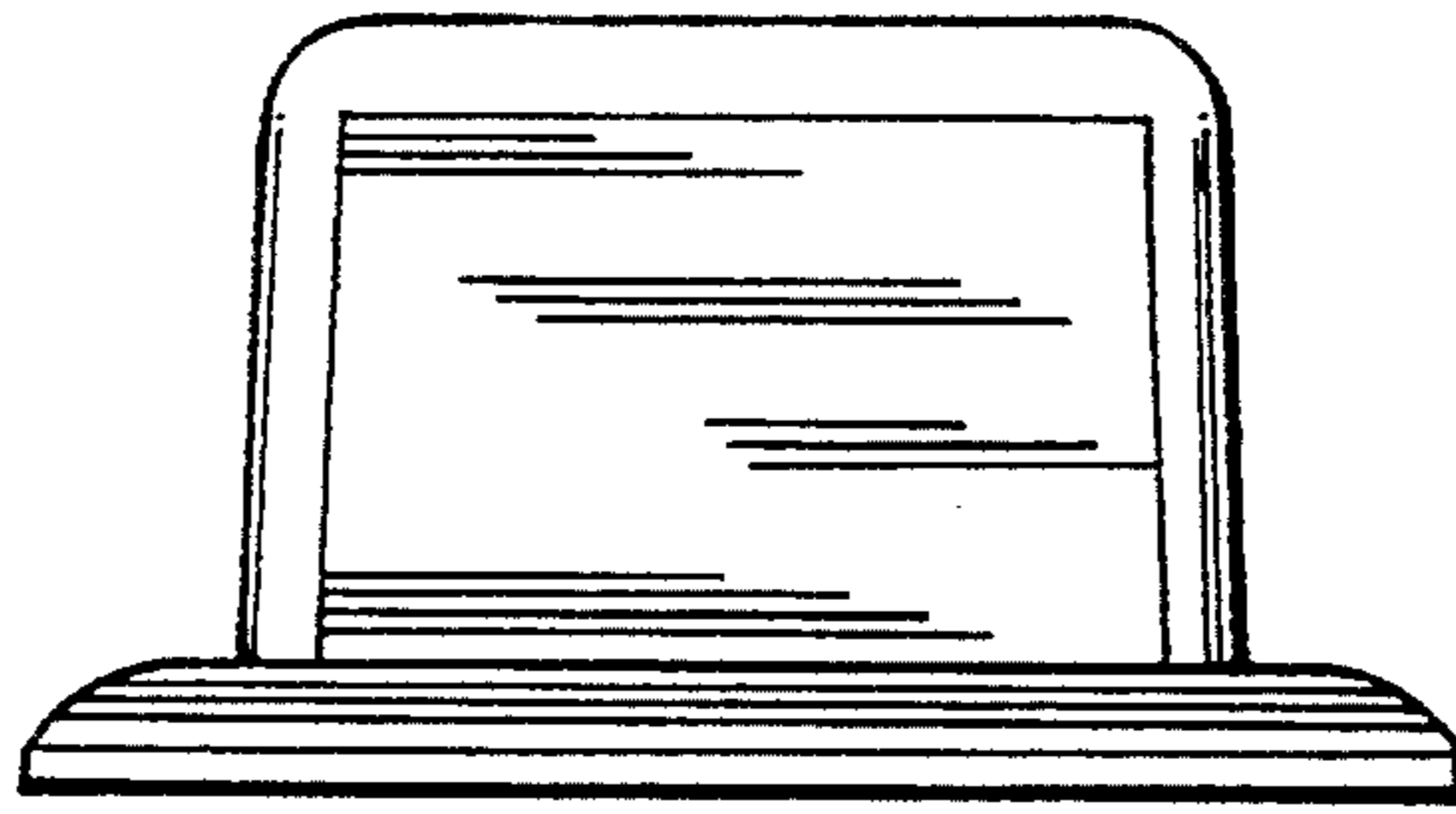


FIG. 4

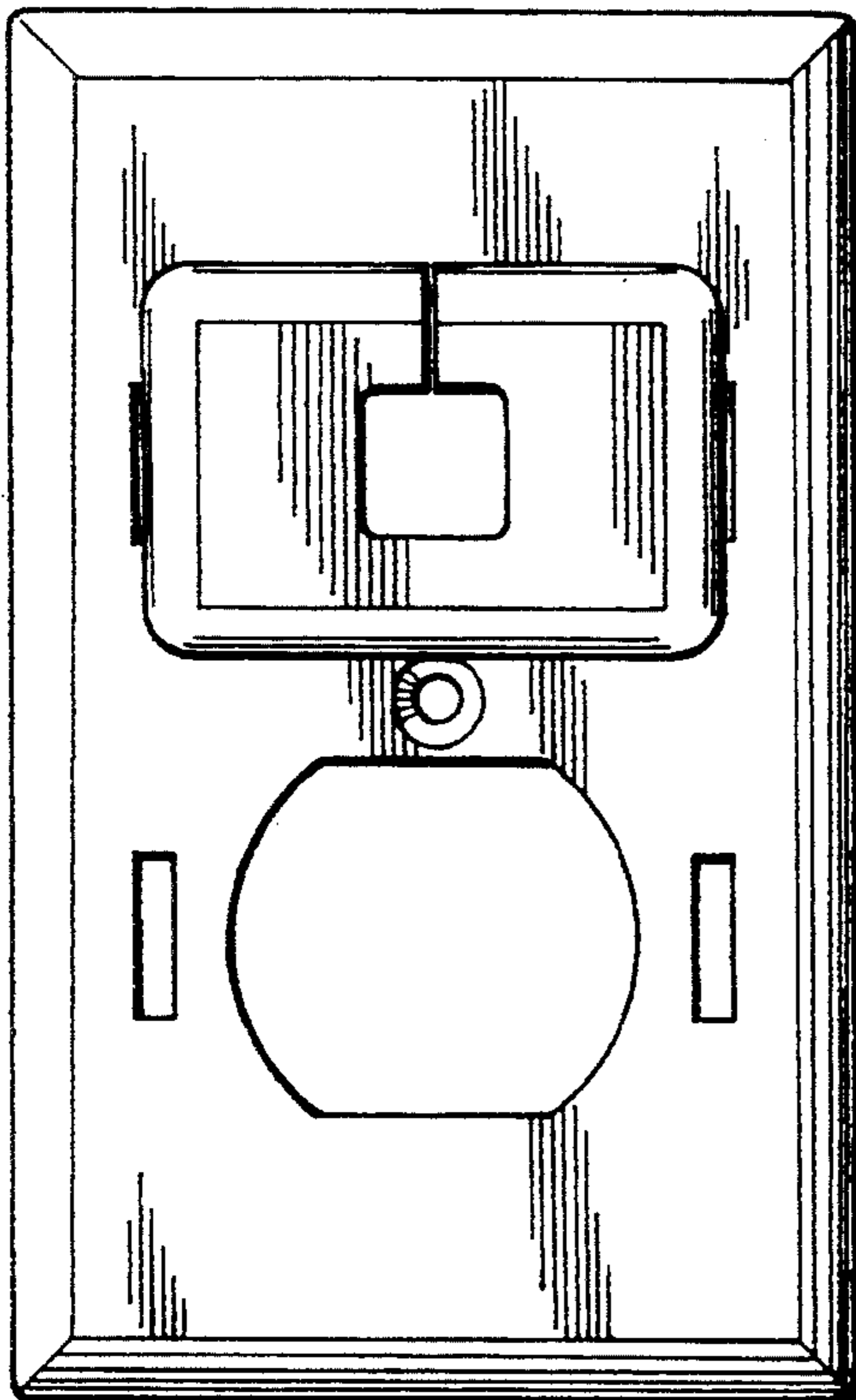


FIG. 5

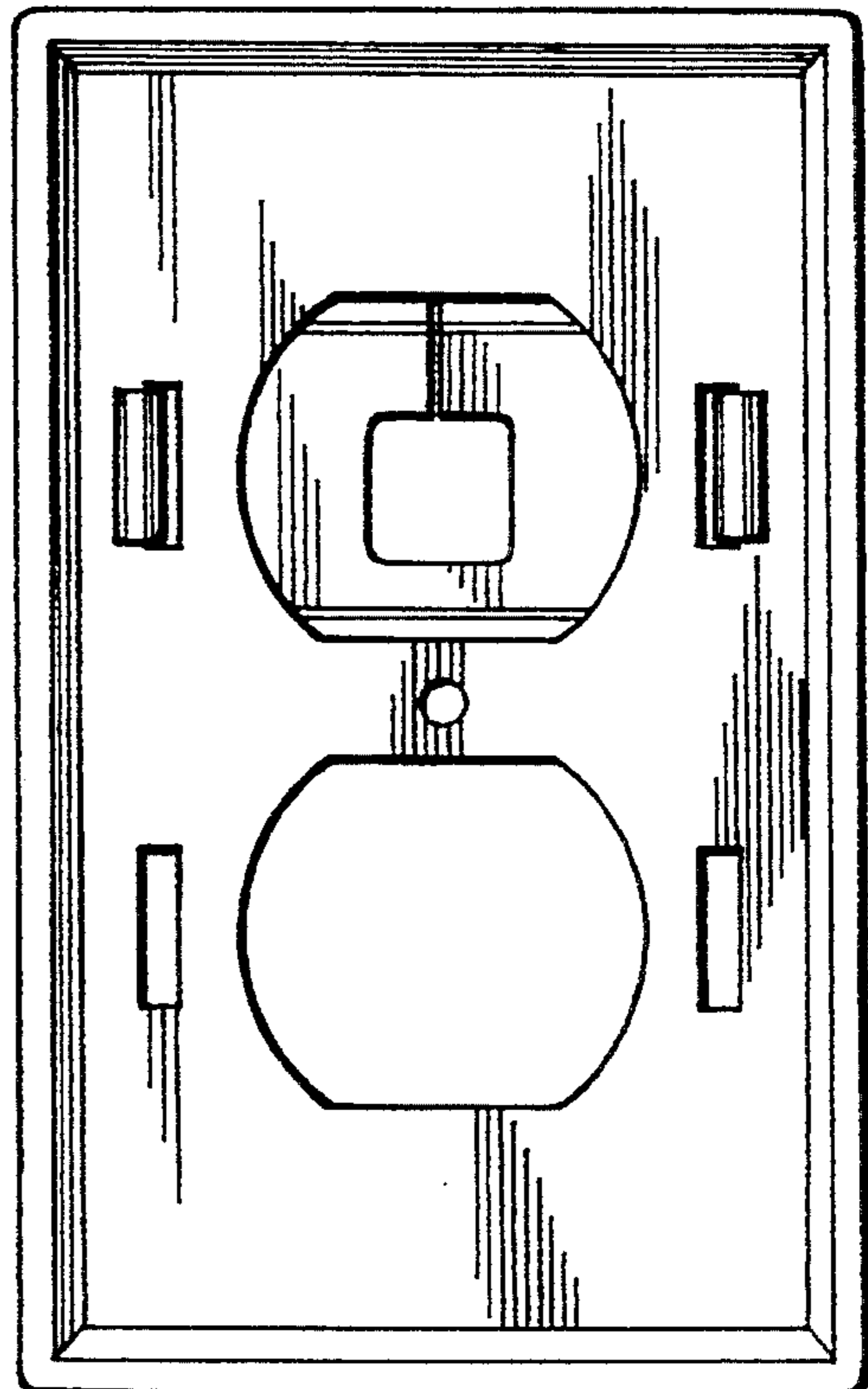


FIG. 6