



US00D359269S

United States Patent [19]
Wharton

[11] **Patent Number: Des. 359,269**
[45] **Date of Patent: ** Jun. 13, 1995**

[54] **ELECTRICAL ADAPTER PLUG**

[75] Inventor: **Richard F. Wharton**, Glenview, Ill.
[73] Assignee: **Safco Corporation**, Chicago, Ill.
[**] Term: **14 Years**
[21] Appl. No.: **15,600**
[22] Filed: **Nov. 22, 1993**

Related U.S. Application Data

[62] Division of Ser. No. 903,180, Jun. 25, 1992, Pat. No. Des. 347,824.
[52] **U.S. Cl.** **D13/144**
[58] **Field of Search** D13/144; 439/300, 638, 439/668, 669, 675

[56] **References Cited**

U.S. PATENT DOCUMENTS

D. 253,752 12/1979 Dilgard, Jr. D13/162 X
D. 309,446 7/1990 Rusell D13/162
D. 318,648 7/1991 Collins D13/133 X
D. 330,700 11/1992 Wharton D13/144 X
D. 347,824 6/1994 Wharton D13/144
4,248,494 2/1981 McDonald et al. 439/668 X

OTHER PUBLICATIONS

12-volt auxiliary power outlets on p. 103 of 1989 *J. C. Whitney* catalog.
Portable cassette and CD player adapter on p. 20 of *J. C. Whitney* catalog.
Accessory outlets for your car on p. 121 of *Radio Shack* catalog ©1990.

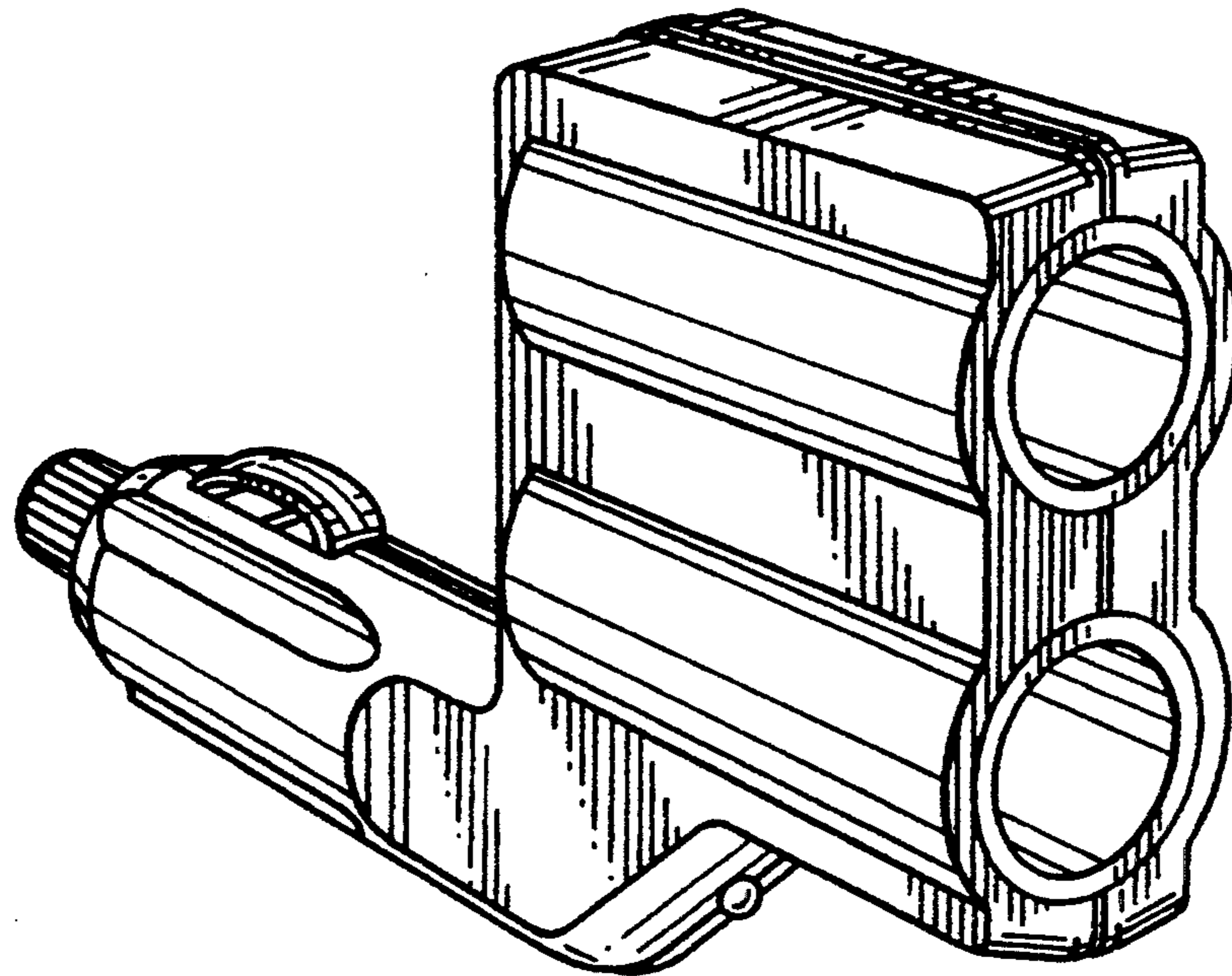
Primary Examiner—Joel Sincavage
Attorney, Agent, or Firm—Augustus Douvas

[57] **CLAIM**

The ornamental design for an electrical adapter plug, as shown.

DESCRIPTION

FIG. 1 is a perspective view of an embodiment of my electrical adapter plug showing my new design; FIG. 2 is a side elevation view of the electrical adapter plug; FIG. 3 is an opposite side elevation view of the electrical adapter plug; FIG. 4 is a rear elevation view of the electrical adapter plug; FIG. 5 is a front elevation view of the electrical adapter plug; FIG. 6 is a top view of the electrical adapter plug; and, FIG. 7 is a bottom view of the electrical adapter plug.



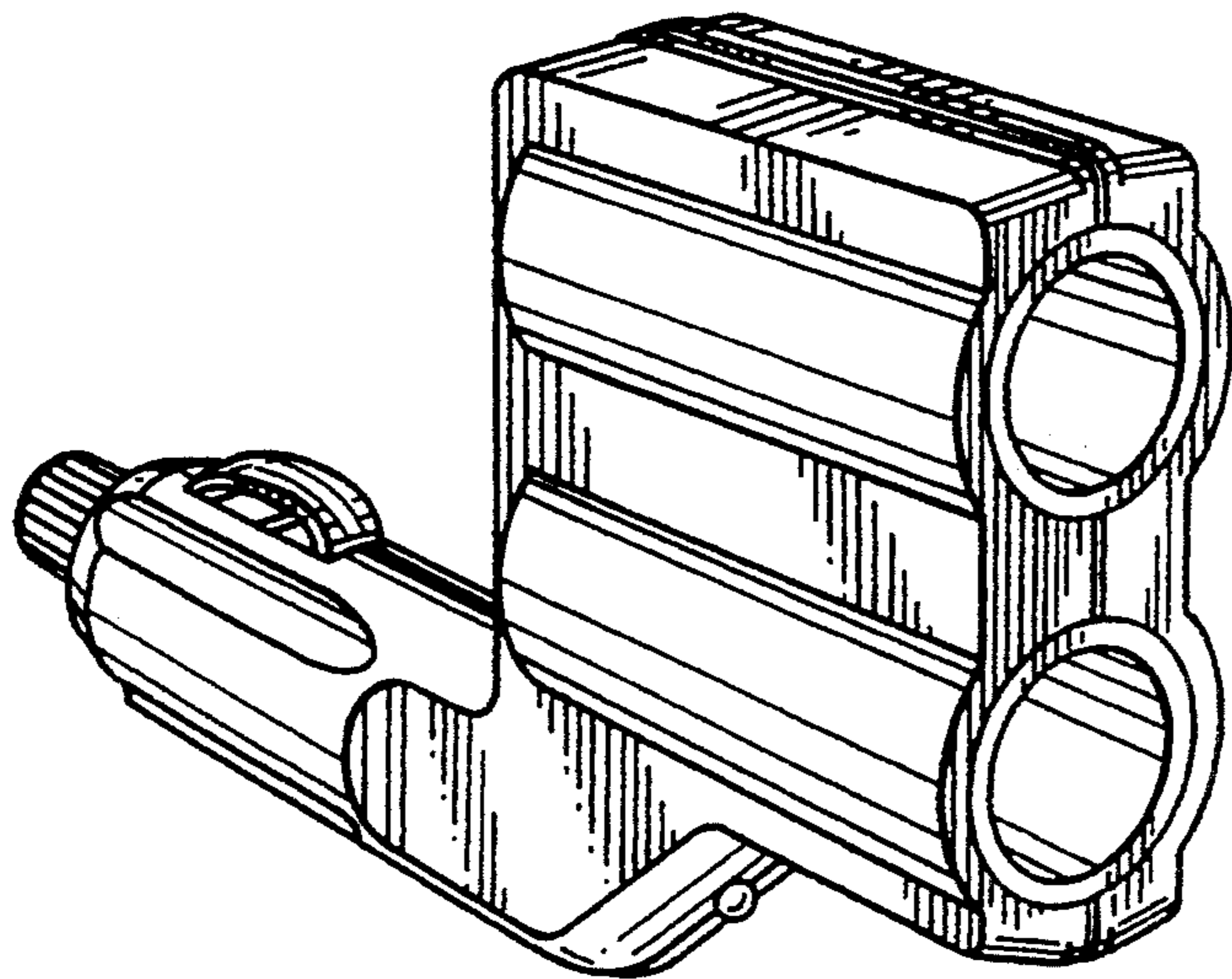


FIG. 1

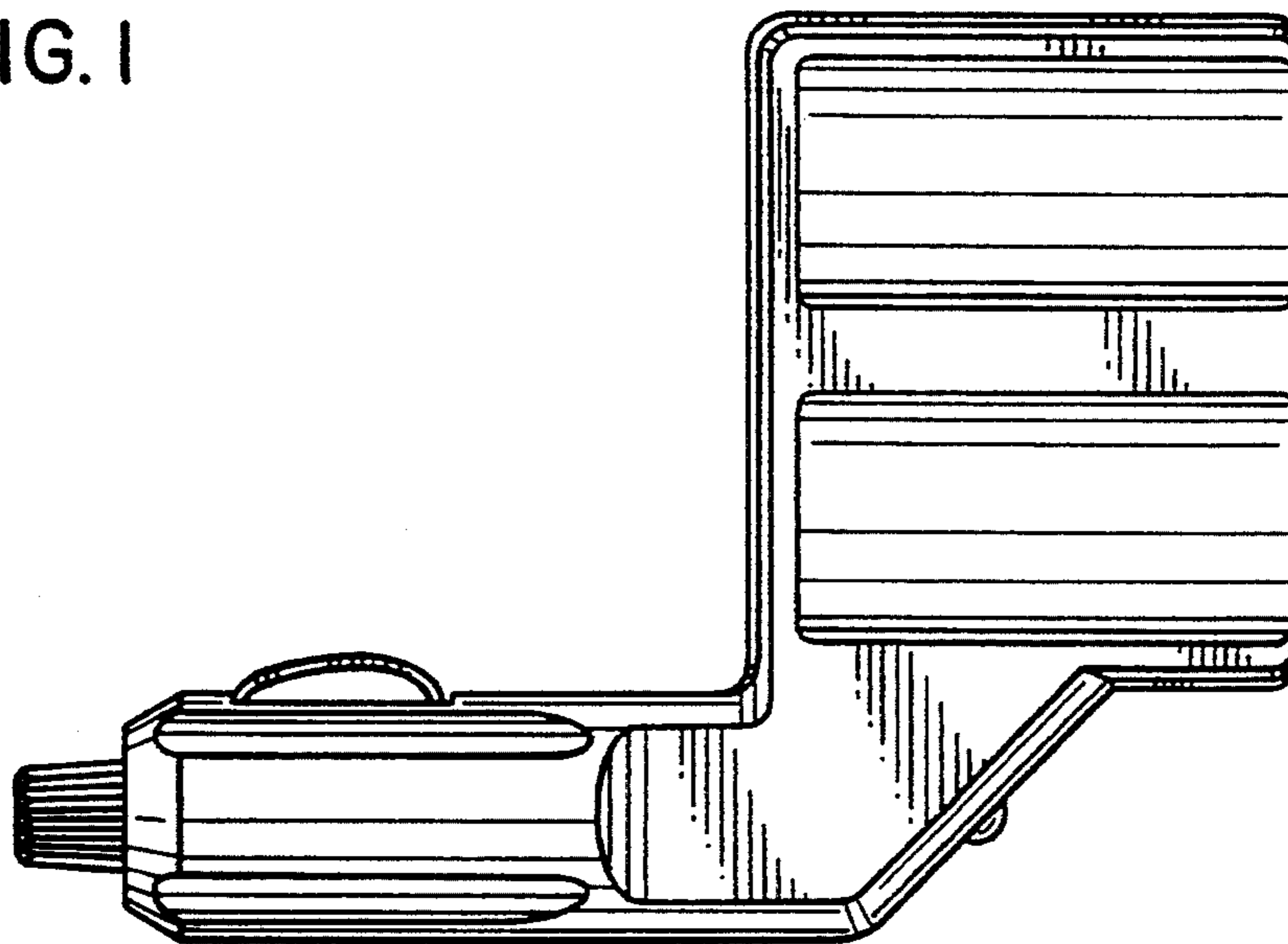


FIG. 2

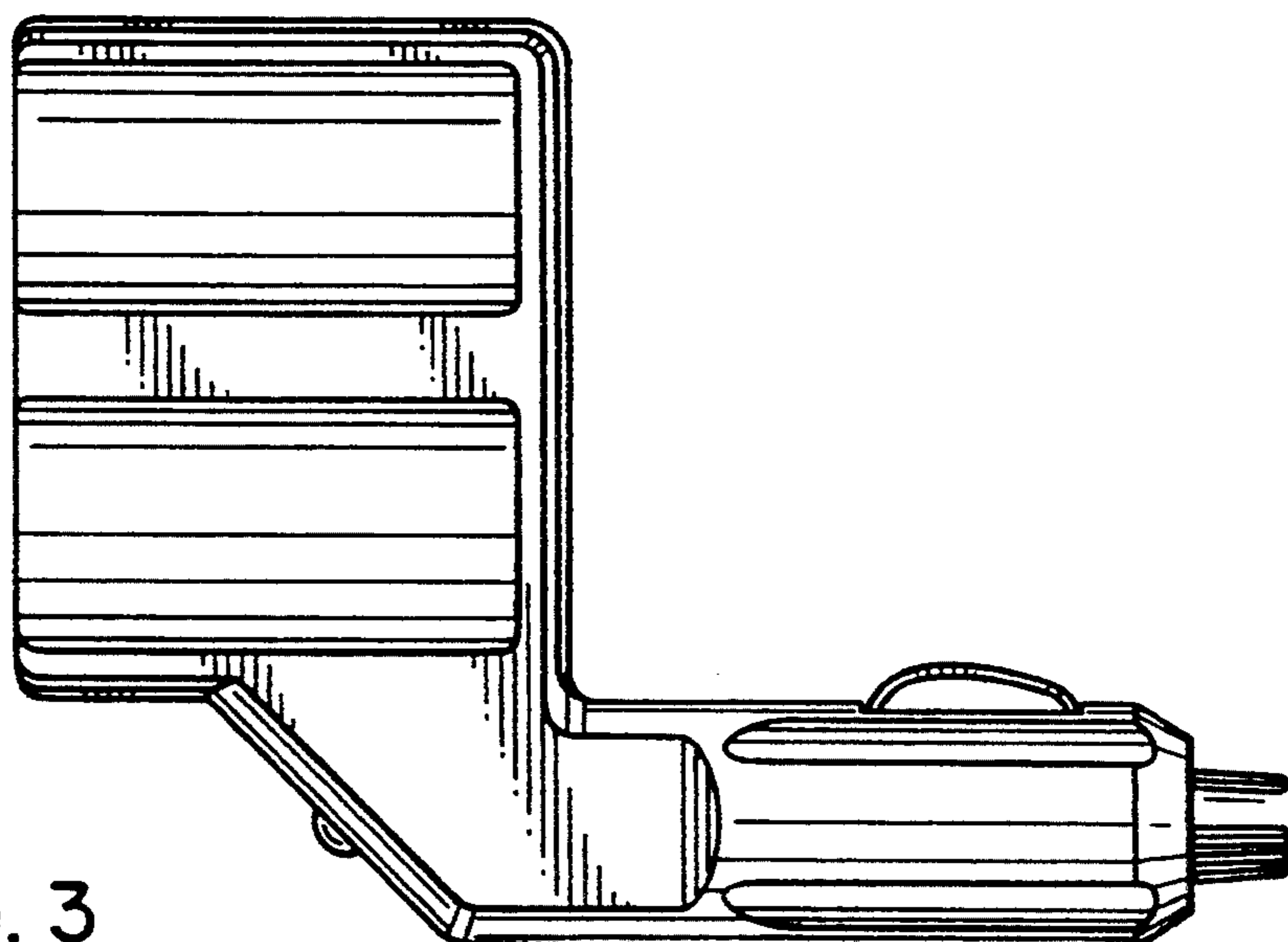


FIG. 3

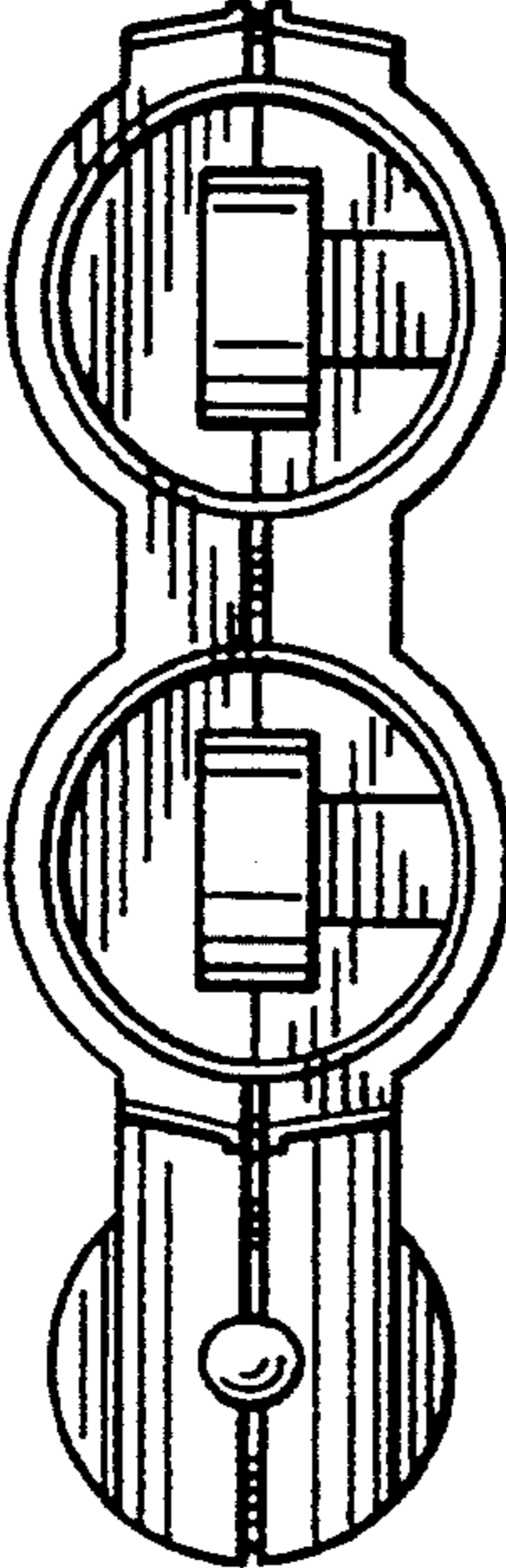


FIG. 4

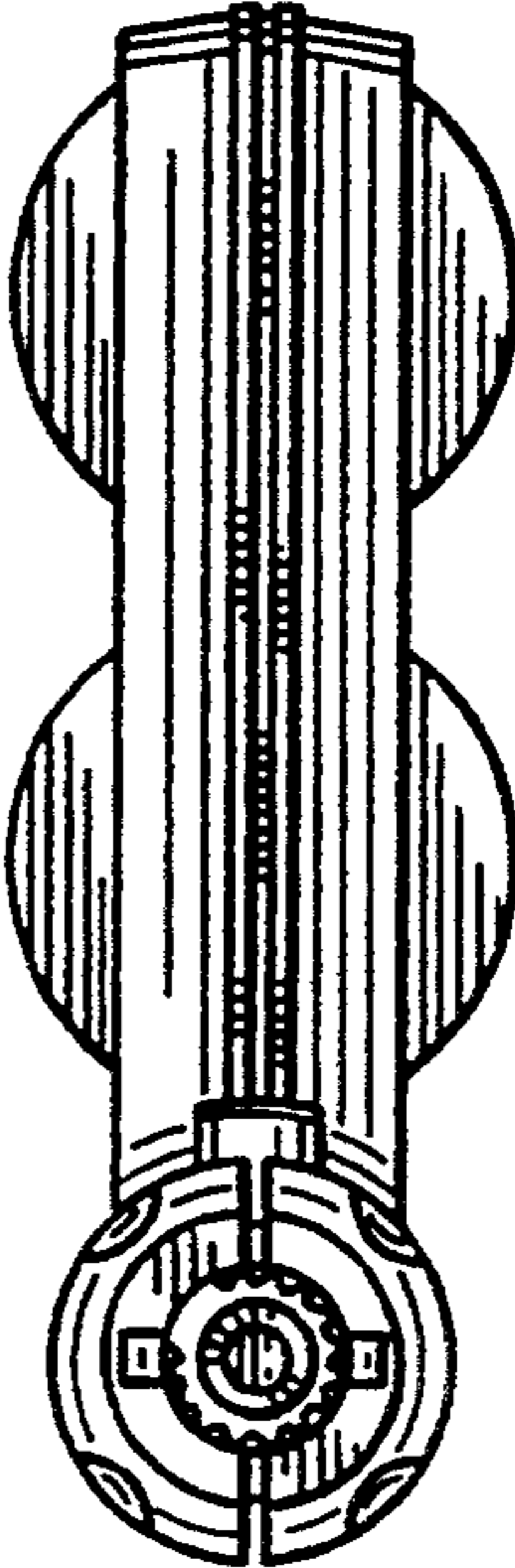


FIG. 5

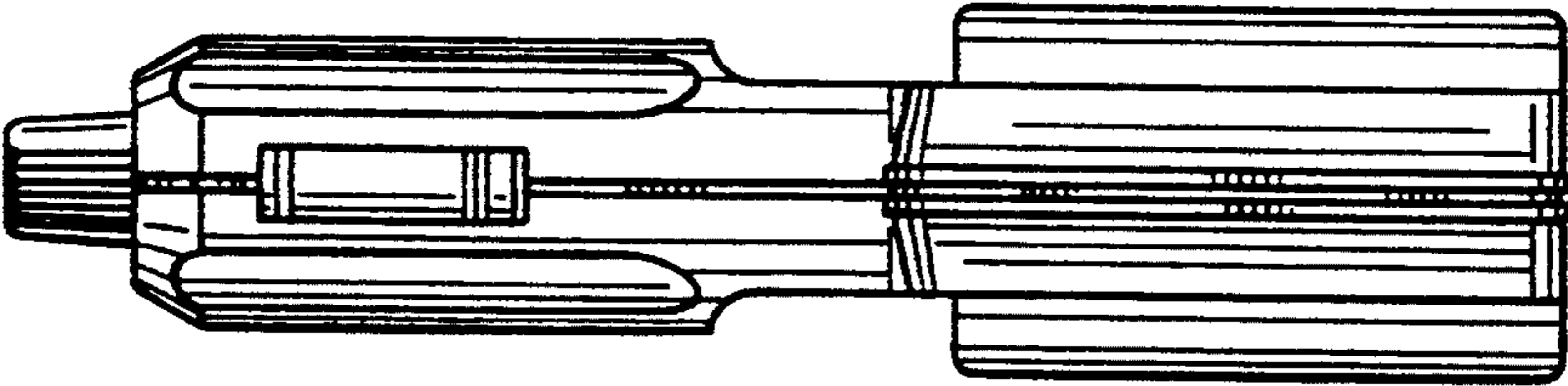


FIG. 6

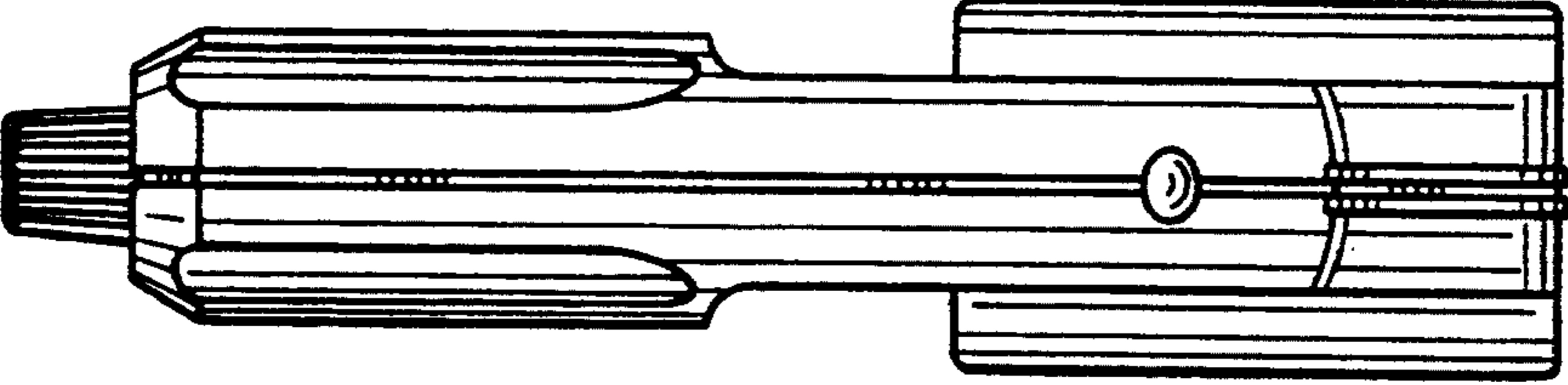


FIG. 7