



US00D359266S

United States Patent [19]

[11] Patent Number: **Des. 359,266**

Karp et al.

[45] Date of Patent: **** Jun. 13, 1995**

[54] **VEHICLE CENTER CONSOLE**

D. 346,066 4/1994 Smith D12/419
4,796,791 1/1989 Goss et al. 224/42.42

[76] Inventors: **Charles D. Karp**, 3251 Lama Ave., Long Beach, Calif. 90808; **Jeff Harlan**, 11463 Pike's Peak Ct., Rancho Cucamonga, Calif. 91737; **Dean Lueck**, 30791 Via Conquista, San Juan Capistrano, Calif. 92675

OTHER PUBLICATIONS

J. C. Whitney & Co Catalog, No. 540J, ©1992, p. 90, the Locking Storage Console/Cooler.

[**] Term: **14 Years**

Primary Examiner—James M. Gandy
Assistant Examiner—M. Brown
Attorney, Agent, or Firm—Todd B. Serota; Brobeck, Phleger & Harrison

[21] Appl. No.: **5,814**

[22] Filed: **Mar. 11, 1993**

[52] U.S. Cl. **D12/419**

[58] Field of Search D12/419, 416, 421;
224/42.11, 42.24, 42.25 R, 273-275; 296/37.1,
37.6, 37.8

[57] **CLAIM**

The ornamental design of a vehicle center console, as shown.

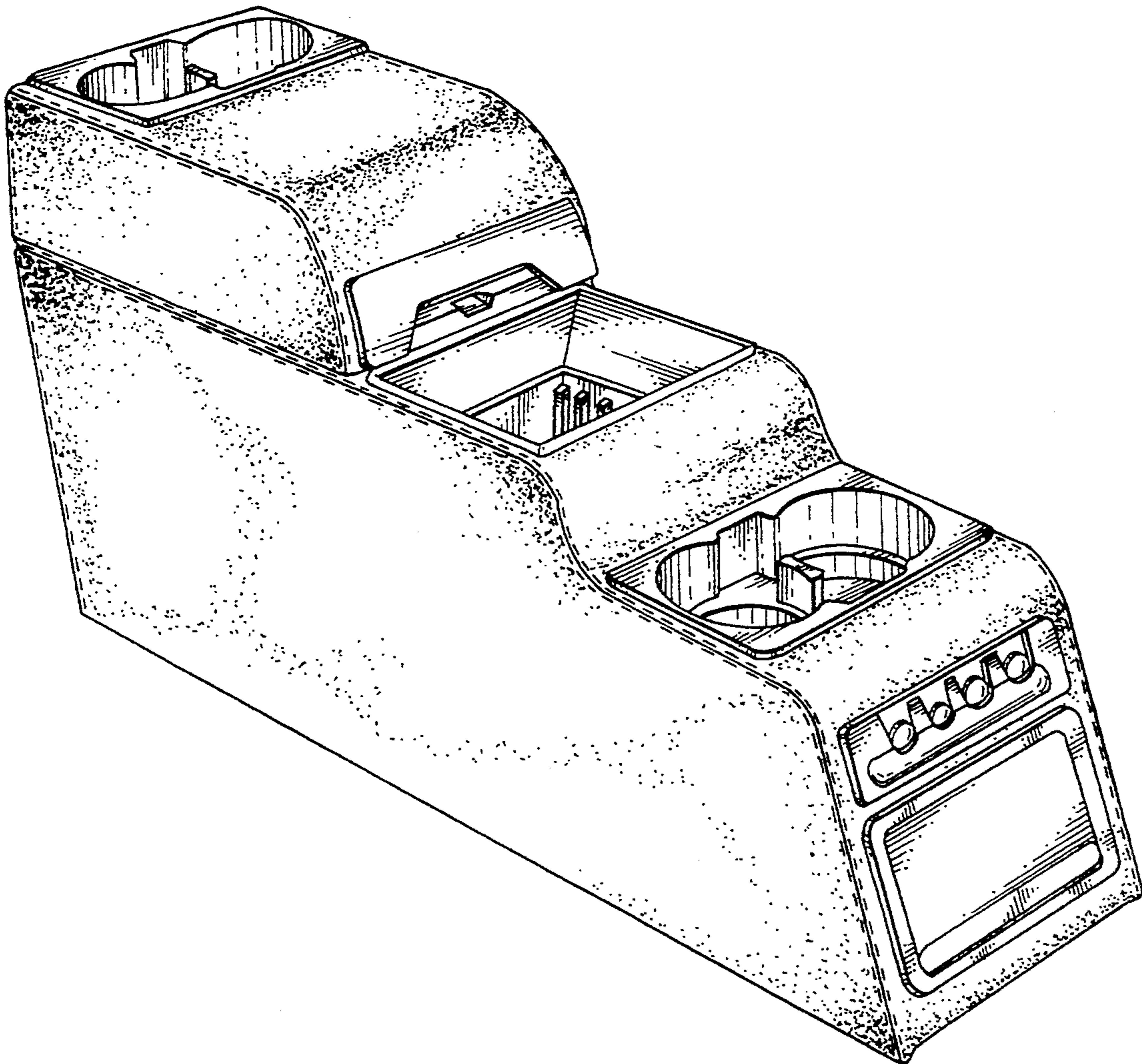
DESCRIPTION

[56] **References Cited**

U.S. PATENT DOCUMENTS

D. 252,540 8/1979 Murphy D12/419
D. 271,634 12/1988 Rockwell D12/419
D. 317,674 6/1991 Smith D12/419

FIG. 1 is a perspective view of a vehicle center console showing my new design;
FIG. 2 is a side view;
FIG. 3 is a front view;
FIG. 4 is a top view; and,
FIG. 5 is a back view.



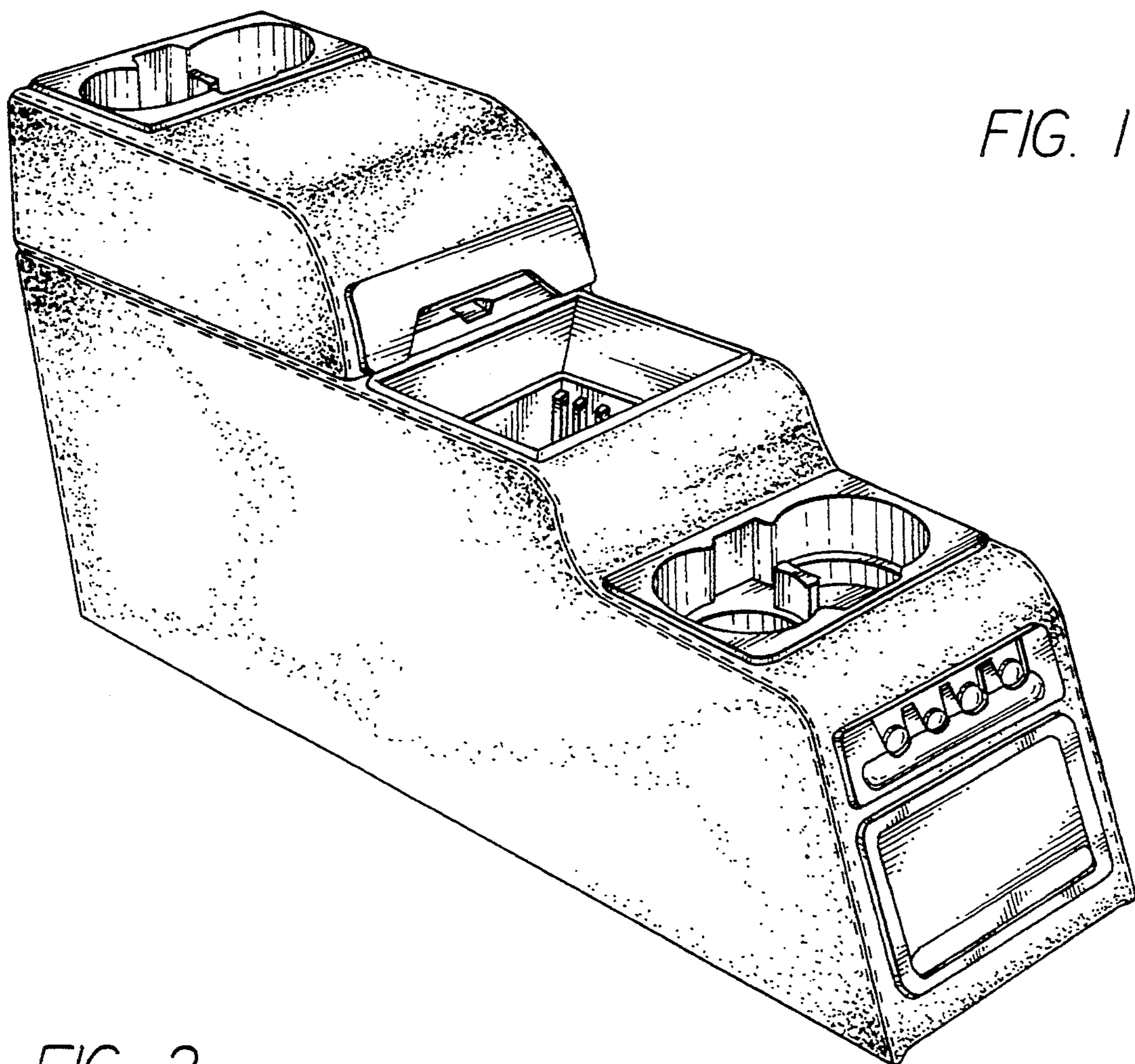


FIG. 1

FIG. 2

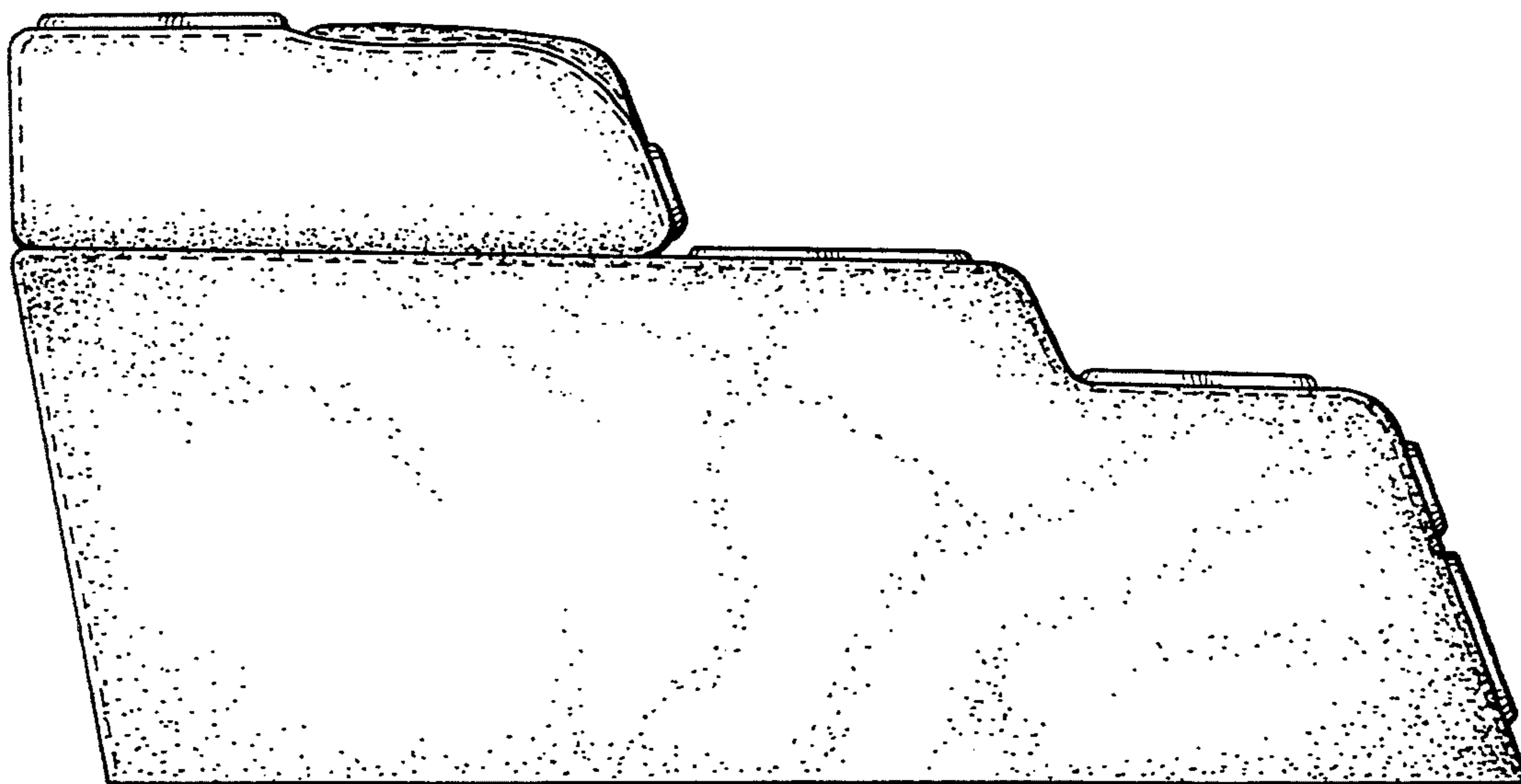


FIG. 4

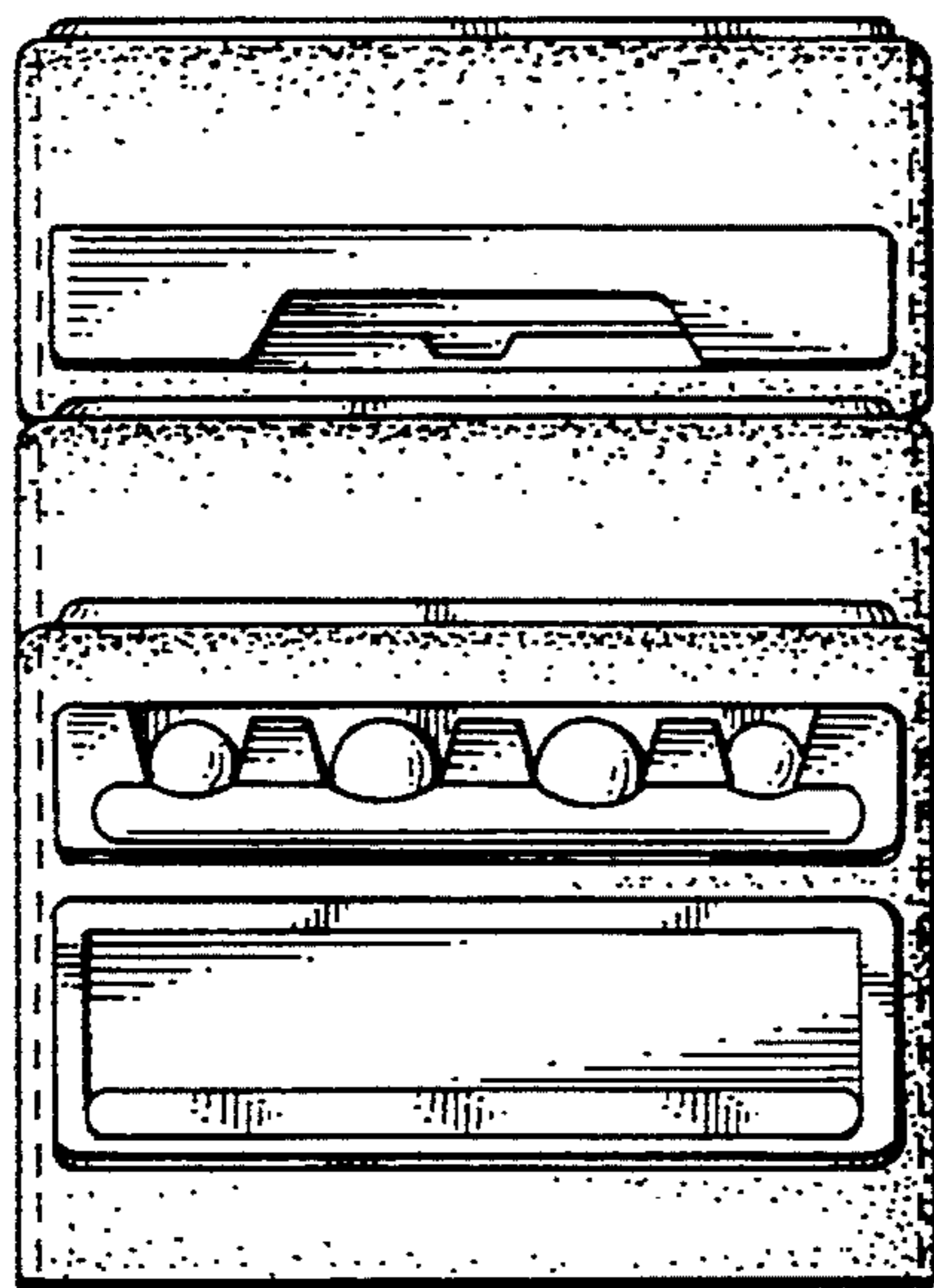
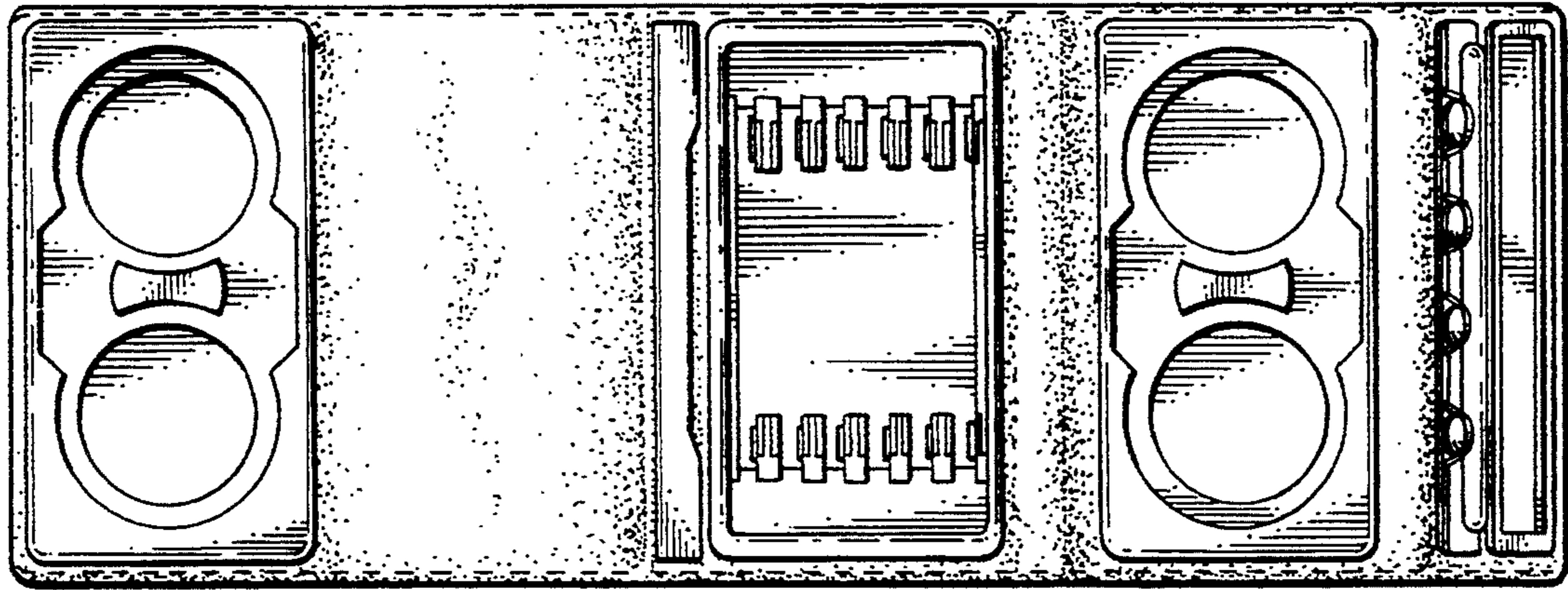


FIG. 3

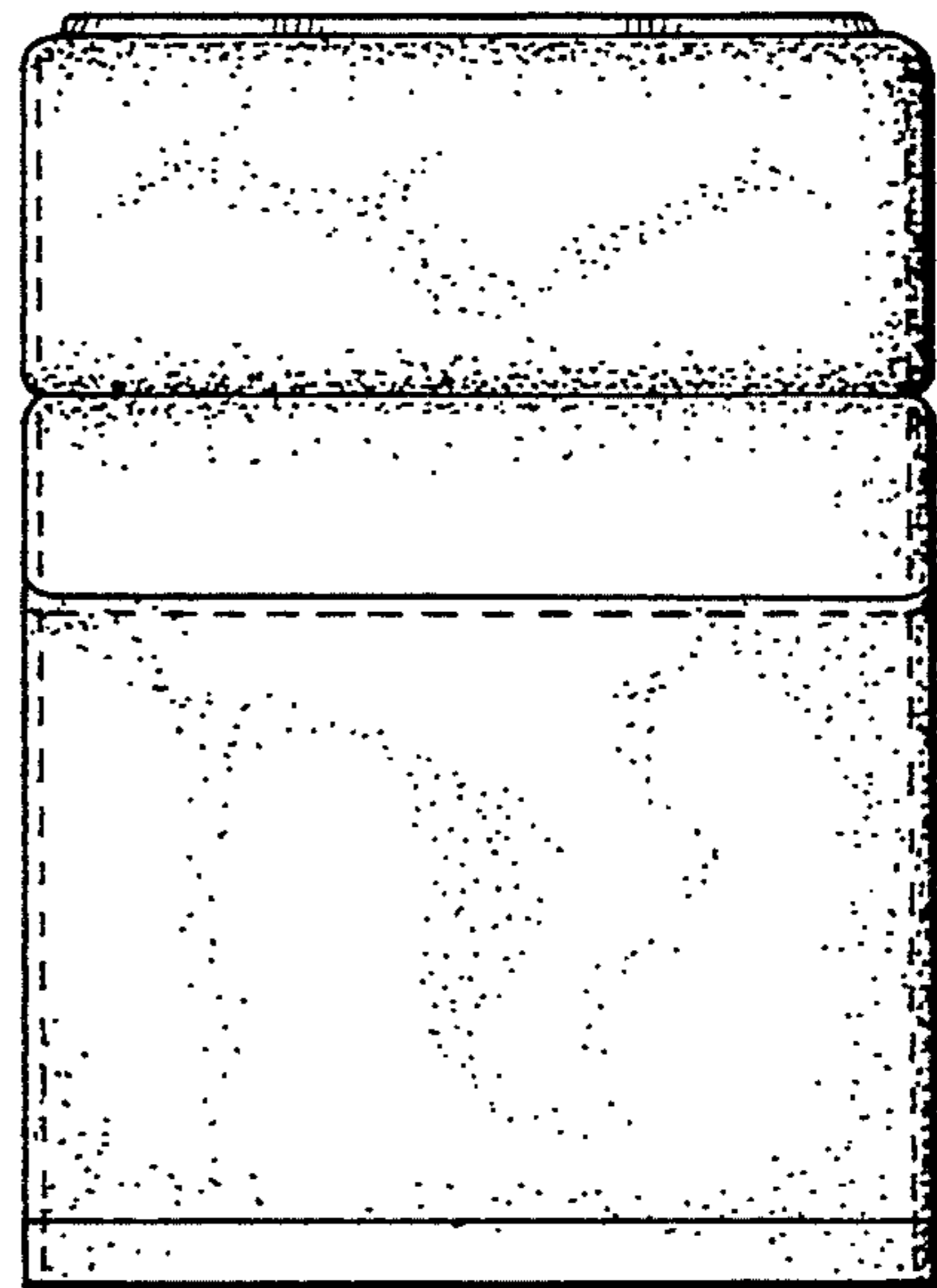


FIG. 5