



US00D359264S

United States Patent [19]

Pilla et al.

[11] Patent Number: **Des. 359,264**

[45] Date of Patent: **** Jun. 13, 1995**

[54] **SLIDING TRUCK BED**

[76] Inventors: **Robert N. Pilla; Dolores Pilla**, both of 907 Ocean Rd., Stuart, Fla. 34966

[**] Term: **14 Years**

[21] Appl. No.: **13,818**

[22] Filed: **Oct. 4, 1993**

[52] U.S. Cl. **D12/221**

[58] Field of Search D12/98, 221; 296/26, 296/37.6, 39.1, 39.2; 414/522; 40/591; 108/44; 224/42.42 R

5,064,335 11/1991 Bergeron 414/522
 5,083,830 1/1992 Mucher et al. 40/591
 5,090,335 2/1992 Russell 108/44
 5,098,146 3/1992 Albrecht 296/26
 5,184,931 2/1993 Safko 296/26
 5,207,472 5/1993 Gower 296/39.2

Primary Examiner—James M. Gandy
Attorney, Agent, or Firm—Terry M. Gernstein

[57] CLAIM

The ornamental design for a sliding truck bed, as shown and described.

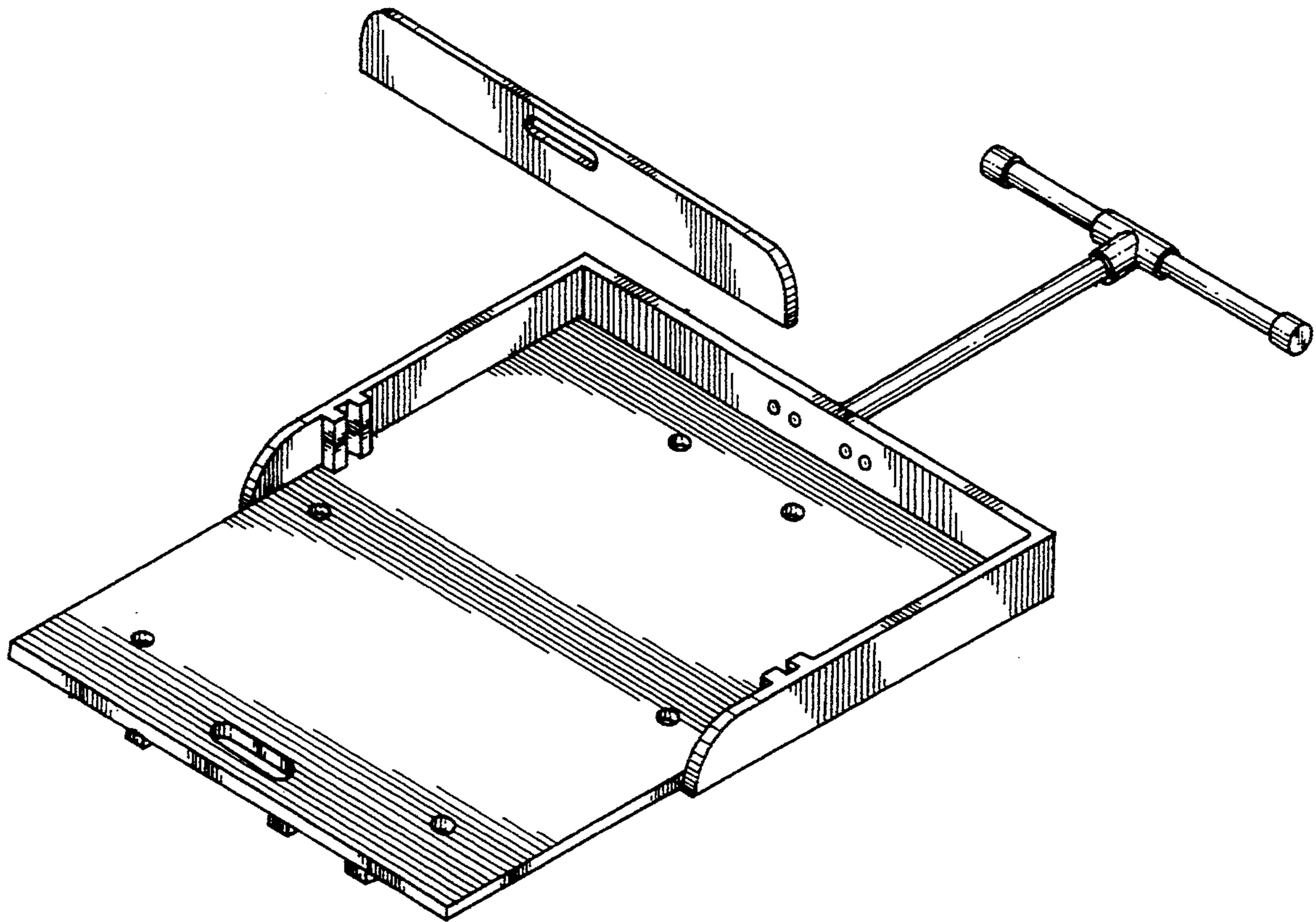
DESCRIPTION

FIG. 1 is an exploded perspective view of the front, top and one side of a sliding truck bed showing our new design;
 FIG. 2 is a front elevational view thereof;
 FIG. 3 is a rear elevational view thereof;
 FIG. 4 is a side elevational view thereof, the side opposite being a mirror image of the side shown in FIG. 4;
 FIG. 5 is a top plan view thereof;
 FIG. 6 is a bottom plan view thereof; and,
 FIG. 7 is a bottom perspective view thereof.

[56] **References Cited**

U.S. PATENT DOCUMENTS

2,094,401	9/1937	Girl	414/522
2,795,363	6/1957	Turner	296/26
2,797,828	7/1957	Fritsche	414/522
2,852,303	9/1958	Hopson	296/26
3,381,835	5/1968	Lee	414/522
4,681,371	7/1987	Leonard	296/26
4,909,558	3/1990	Roshinsky	296/39.6
4,993,088	2/1991	Chudik	296/26



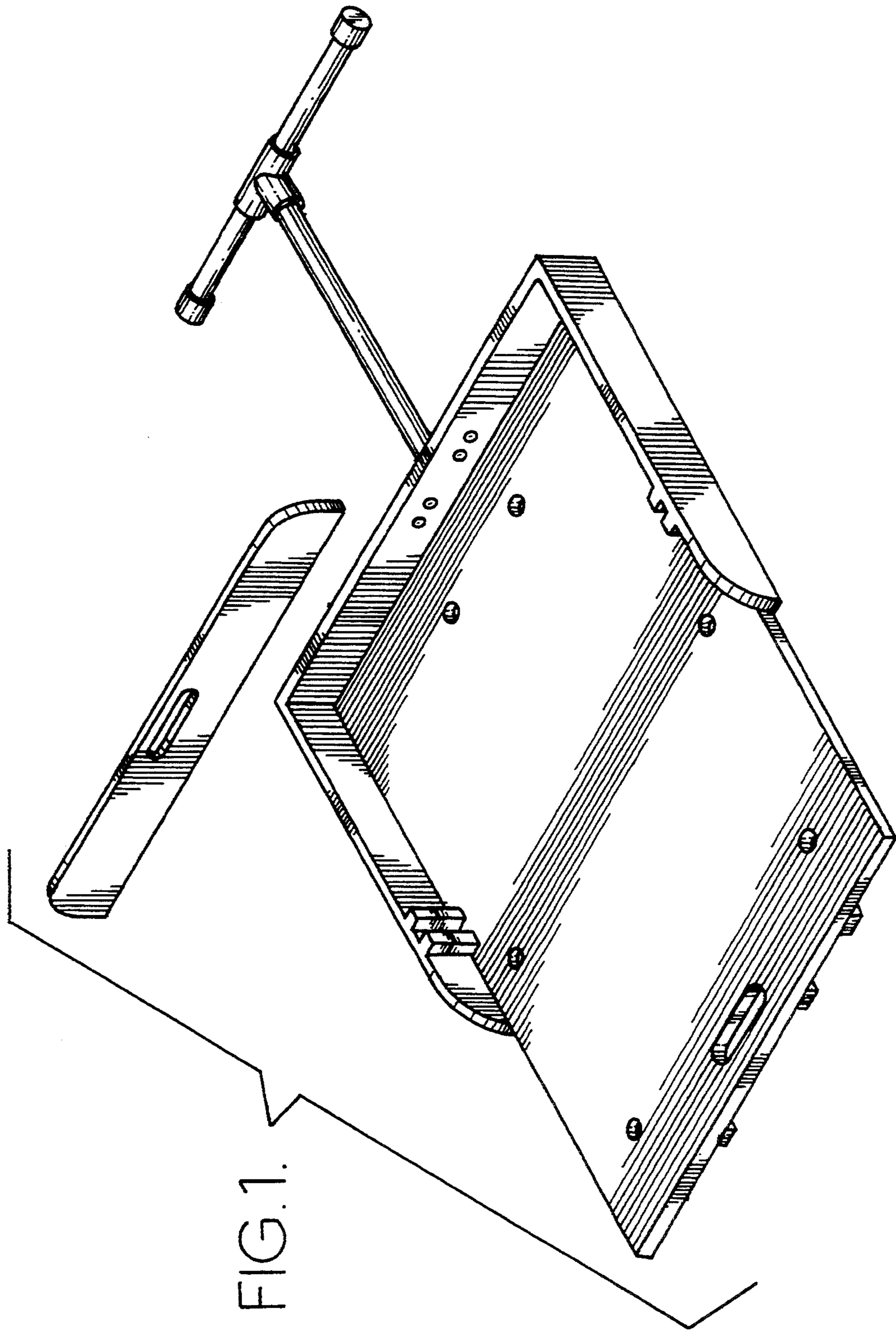
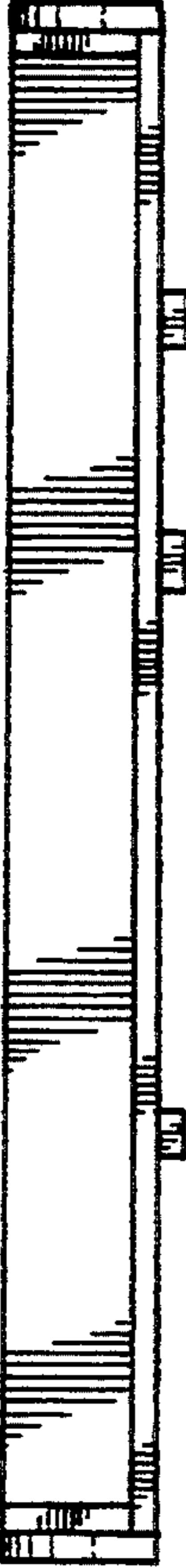


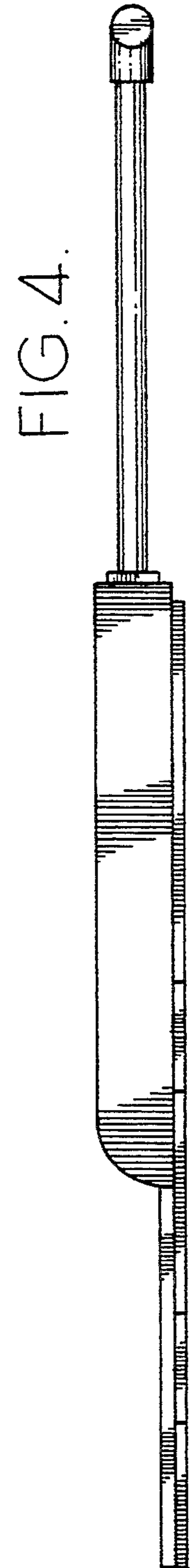
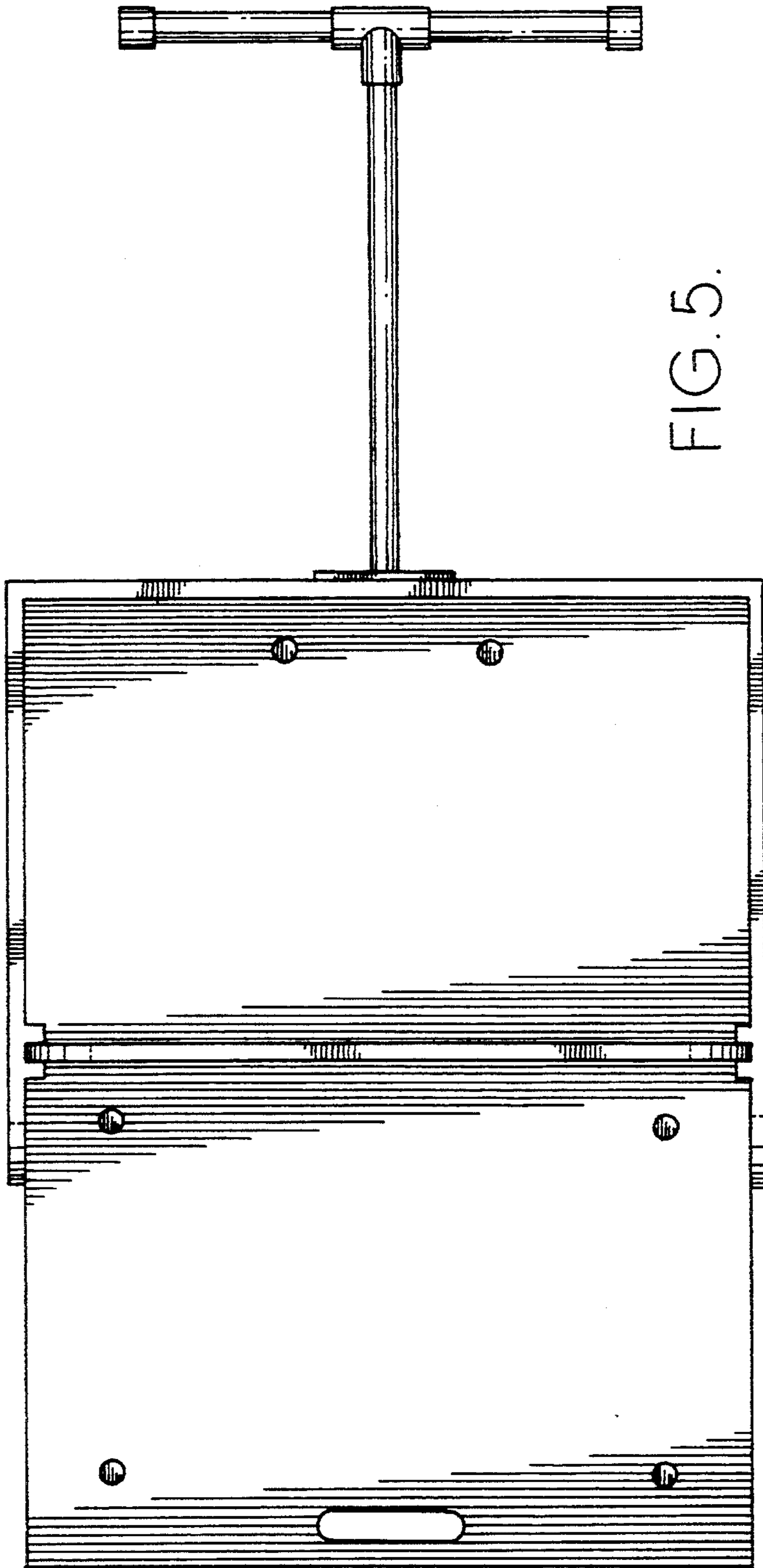
FIG. 1.

FIG. 2.



FIG. 3.





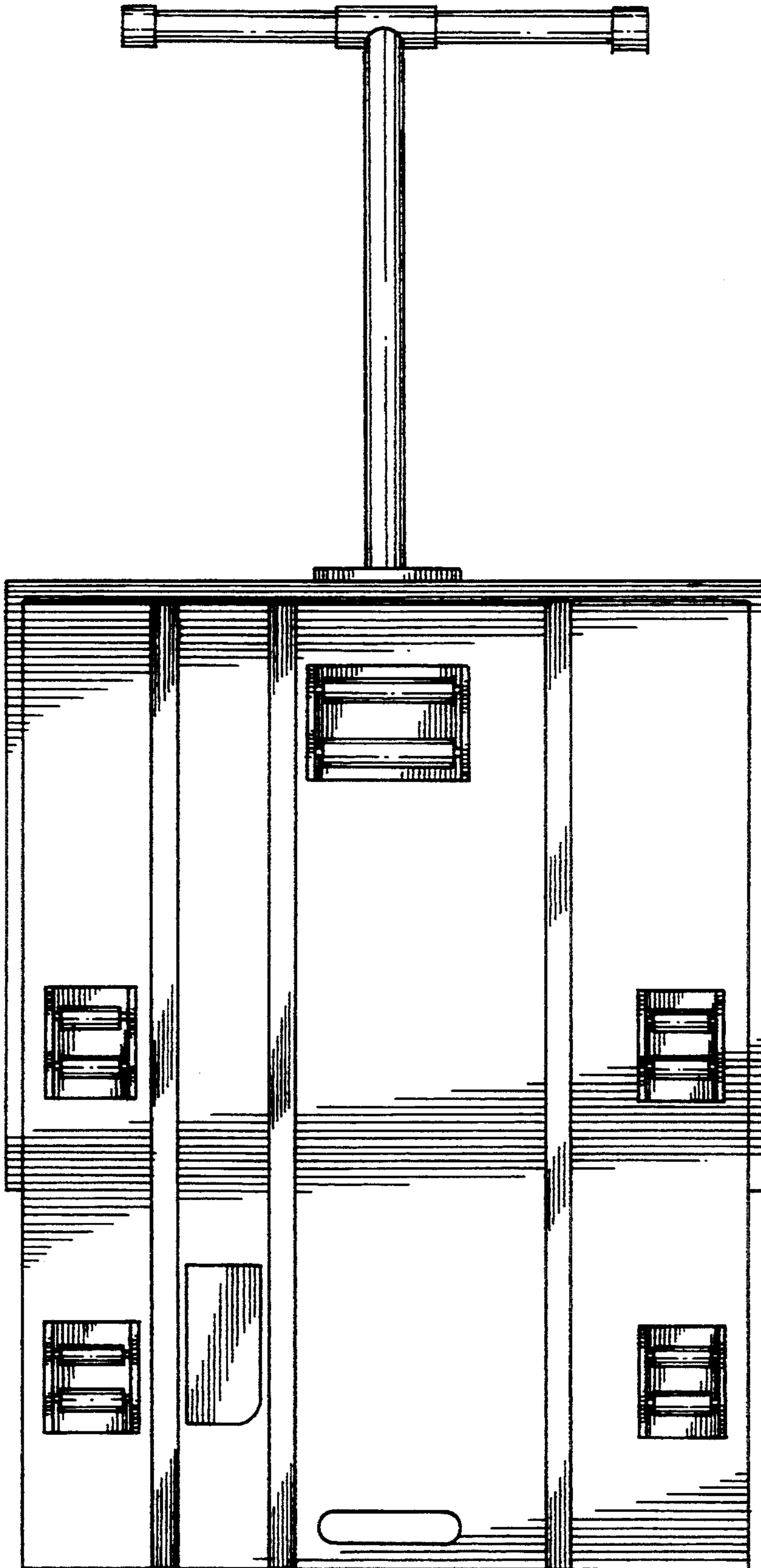


FIG. 6.

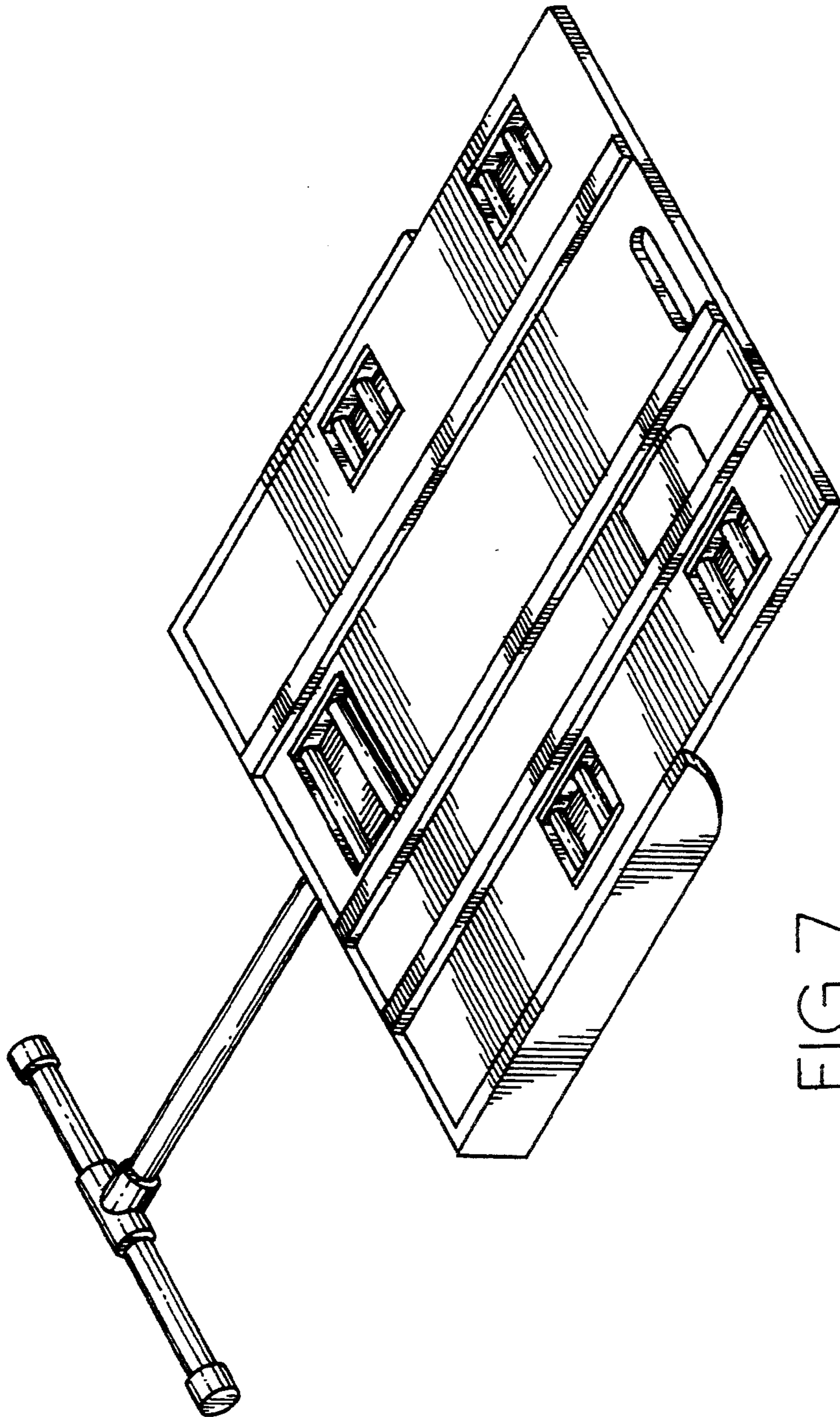


FIG. 7.