



US00D359262S

United States Patent [19]

Shusterman

[11] Patent Number: Des. 359,262

[45] Date of Patent: ** Jun. 13, 1995

[54] LICENSE PLATE FRAME

[75] Inventor: Dan Shusterman, Santa Ana, Calif.

[73] Assignee: Superior Industries International, Inc., Van Nuys, Calif.

[**] Term: 14 Years

[21] Appl. No.: 17,724

[22] Filed: Jan. 21, 1994

[52] U.S. Cl. D12/193

[58] Field of Search D12/193; 40/200, 209, 40/210

2,136,905 11/1938 McAdams 40/125

2,136,906 11/1938 McAdams 40/125

2,672,703 3/1954 Grady 40/125

2,765,553 10/1956 Audette 40/125

2,869,261 1/1959 Audette 40/125

Primary Examiner—Susan J. Lucas
 Assistant Examiner—M. Brown
 Attorney, Agent, or Firm—Fulwider Patton Lee & Utecht

[57] CLAIM

The ornamental design for a license plate frame, as shown and described.

[56] References Cited

U.S. PATENT DOCUMENTS

D. 81,970 9/1930 Faith D12/193

D. 134,835 1/1943 Griffith D12/193

D. 163,328 5/1951 Rothman D12/193

D. 175,144 7/1955 Audette D12/193

D. 182,783 5/1958 Audette D12/193

D. 335,858 5/1993 Troeger D12/193

D. 348,865 7/1994 Nagata D12/193

DESCRIPTION

FIG. 1 is a perspective view of a license plate frame showing my design;

FIG. 2 is a front elevational view thereof;

FIG. 3 is a rear elevational view thereof;

FIG. 4 is a top plan view thereof;

FIG. 5 is a bottom view thereof; and,

FIG. 6 is a side elevational view thereof with the opposite side having the same appearance as the side shown.

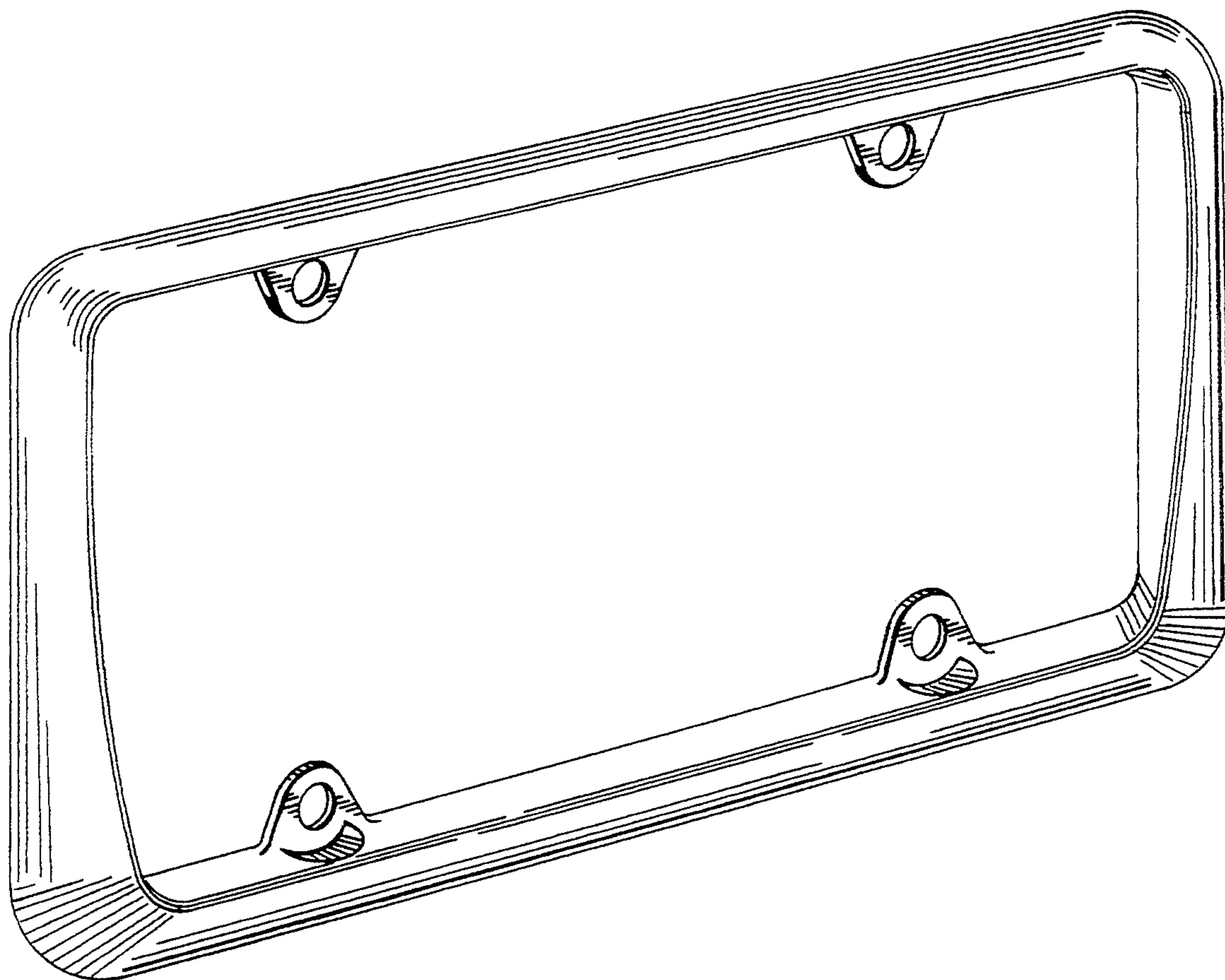


FIG. 1

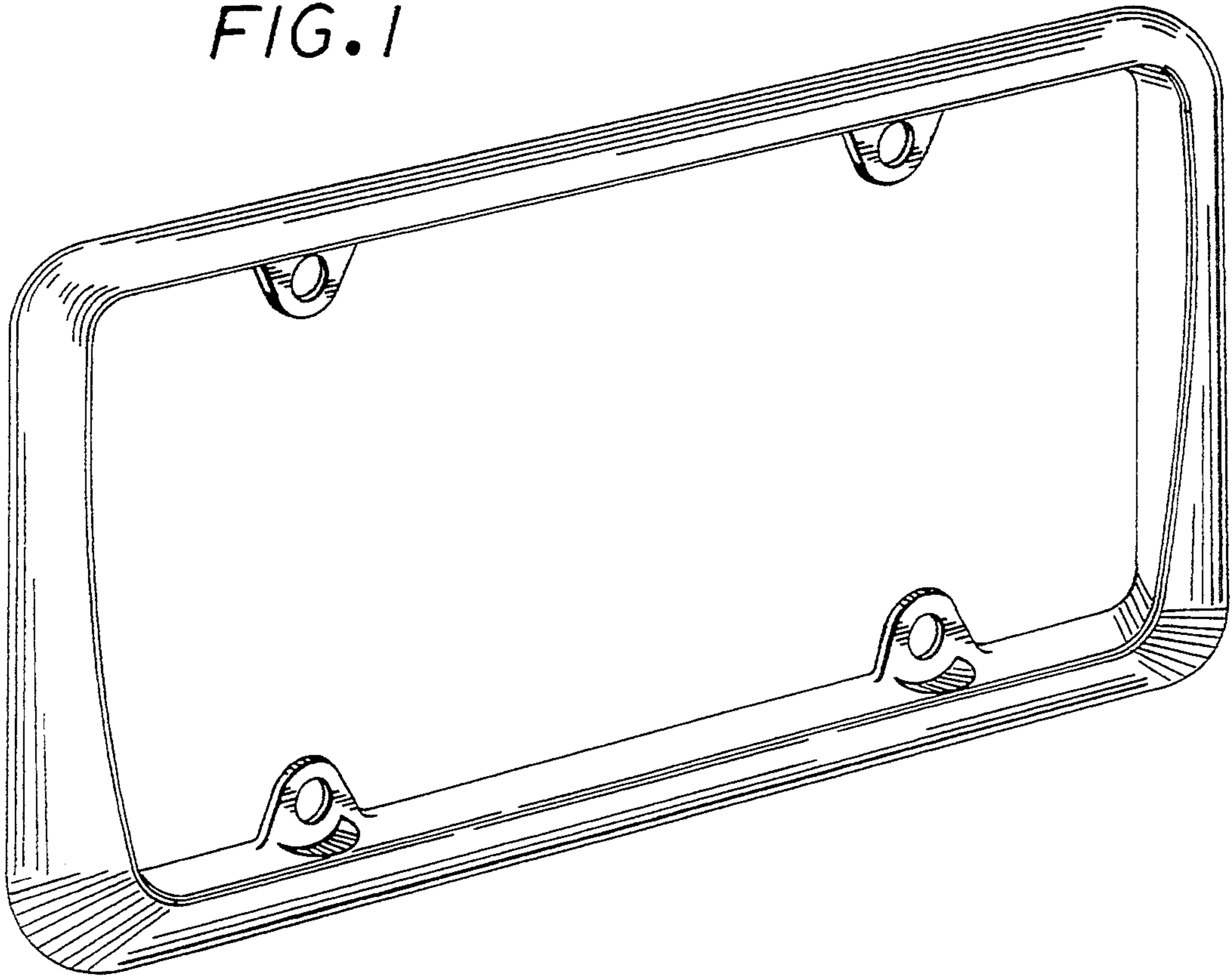
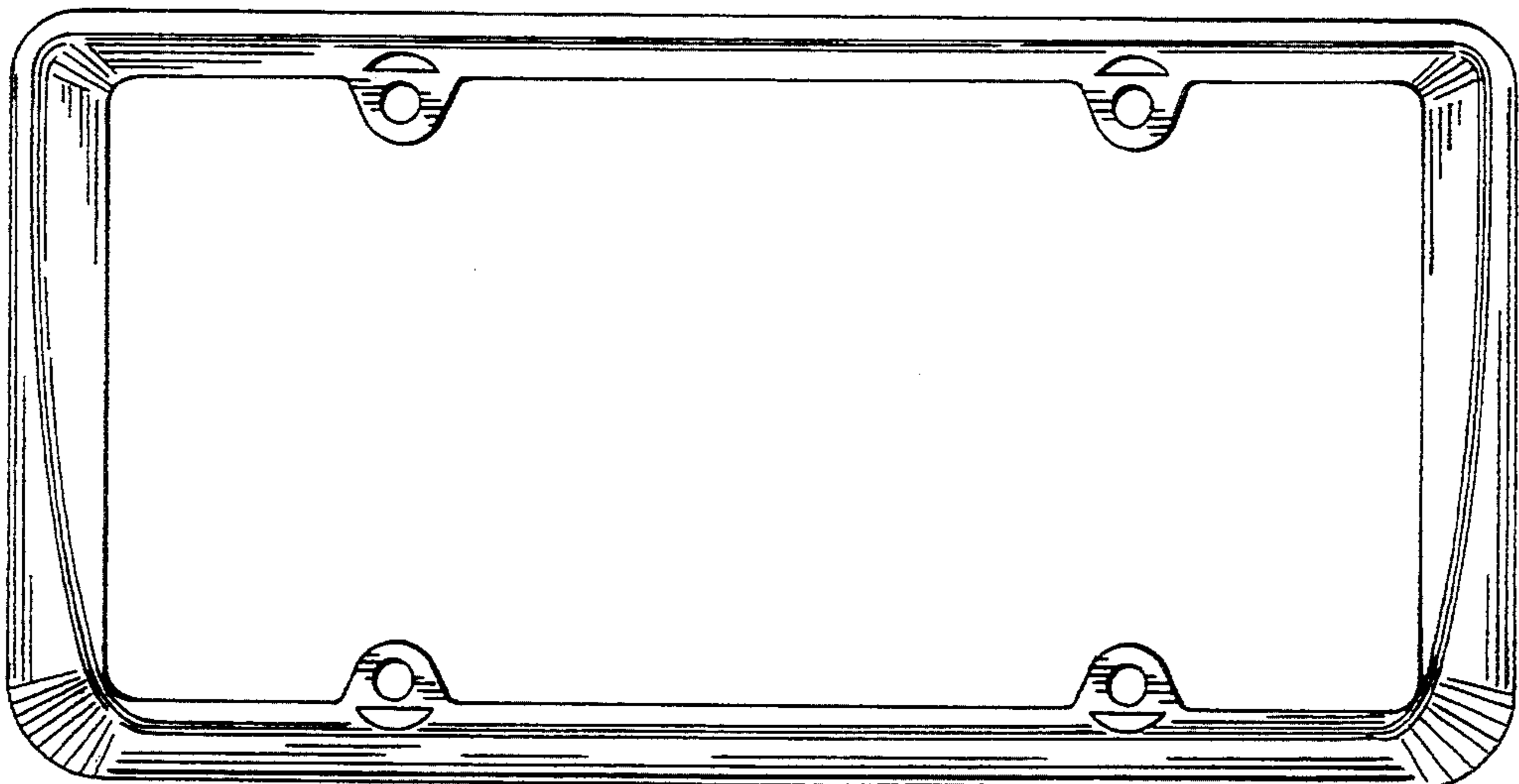


FIG. 2



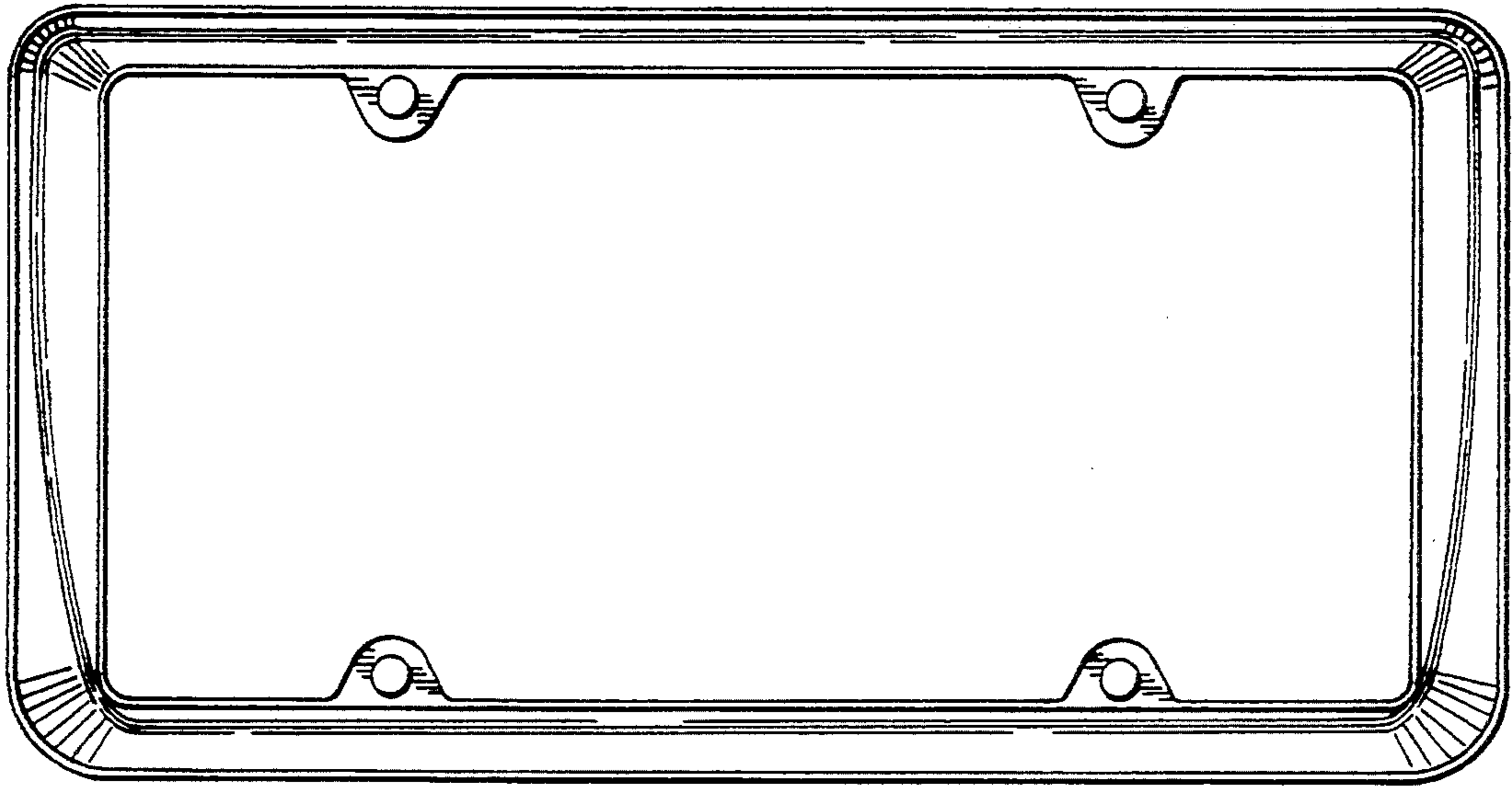


FIG. 3

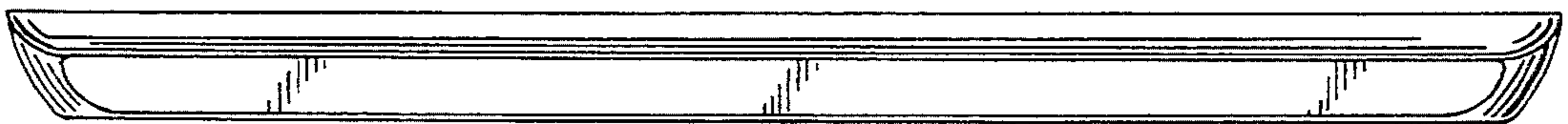


FIG. 4

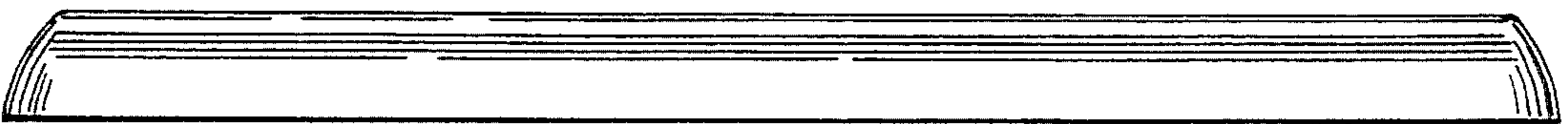


FIG. 5

FIG. 6

