



US00D359261S

# United States Patent [19]

Shusterman

[11] Patent Number: **Des. 359,261**

[45] Date of Patent: **\*\* Jun. 13, 1995**

[54] LICENSE PLATE FRAME

[75] Inventor: **Dan Shusterman**, Santa Ana, Calif.

[73] Assignee: **Superior Industries International, Inc.**, Van Nuys, Calif.

[\*\*] Term: **14 Years**

[21] Appl. No.: **17,740**

[22] Filed: **Jan. 21, 1994**

[52] U.S. Cl. .... **D12/193**

[58] Field of Search ..... **D12/193; D6/300, 310; 40/200, 209, 210**

D. 335,858 5/1993 Trager ..... D12/193  
 1,864,641 6/1932 Davis ..... 40/208  
 2,526,460 10/1950 Crocella ..... 40/130  
 2,590,763 3/1952 Floyd et al. .... 40/125  
 2,910,793 11/1959 Helmer et al. .... 40/209  
 2,921,395 1/1960 Fishman ..... 40/209

*Primary Examiner*—Susan J. Lucas  
*Assistant Examiner*—M. Brown  
*Attorney, Agent, or Firm*—Fulwider Patton Lee & Utecht

### [57] CLAIM

The ornamental design for a license plate frame, as shown and described.

### DESCRIPTION

FIG. 1 is a perspective view of a license plate frame showing my design;  
 FIG. 2 is a front elevational view thereof;  
 FIG. 3 is a rear elevational view thereof;  
 FIG. 4 is a top plan view thereof with the bottom having the same appearance as the top; and,  
 FIG. 5 is a side elevational view thereof with the opposite side having the same appearance as the side shown.

[56] **References Cited**

**U.S. PATENT DOCUMENTS**

|            |         |             |       |         |
|------------|---------|-------------|-------|---------|
| D. 141,650 | 6/1945  | Moglen      | ..... | D29/20  |
| D. 142,720 | 10/1945 | Kissling    | ..... | D29/20  |
| D. 159,314 | 7/1950  | Baumgartner | ..... | D12/193 |
| D. 176,332 | 12/1955 | Helm        | ..... | D12/193 |
| D. 177,281 | 3/1956  | Schwartz    | ..... | D12/193 |
| D. 331,217 | 11/1992 | Spencer     | ..... | D12/193 |
| D. 332,596 | 1/1993  | Corey       | ..... | D12/193 |

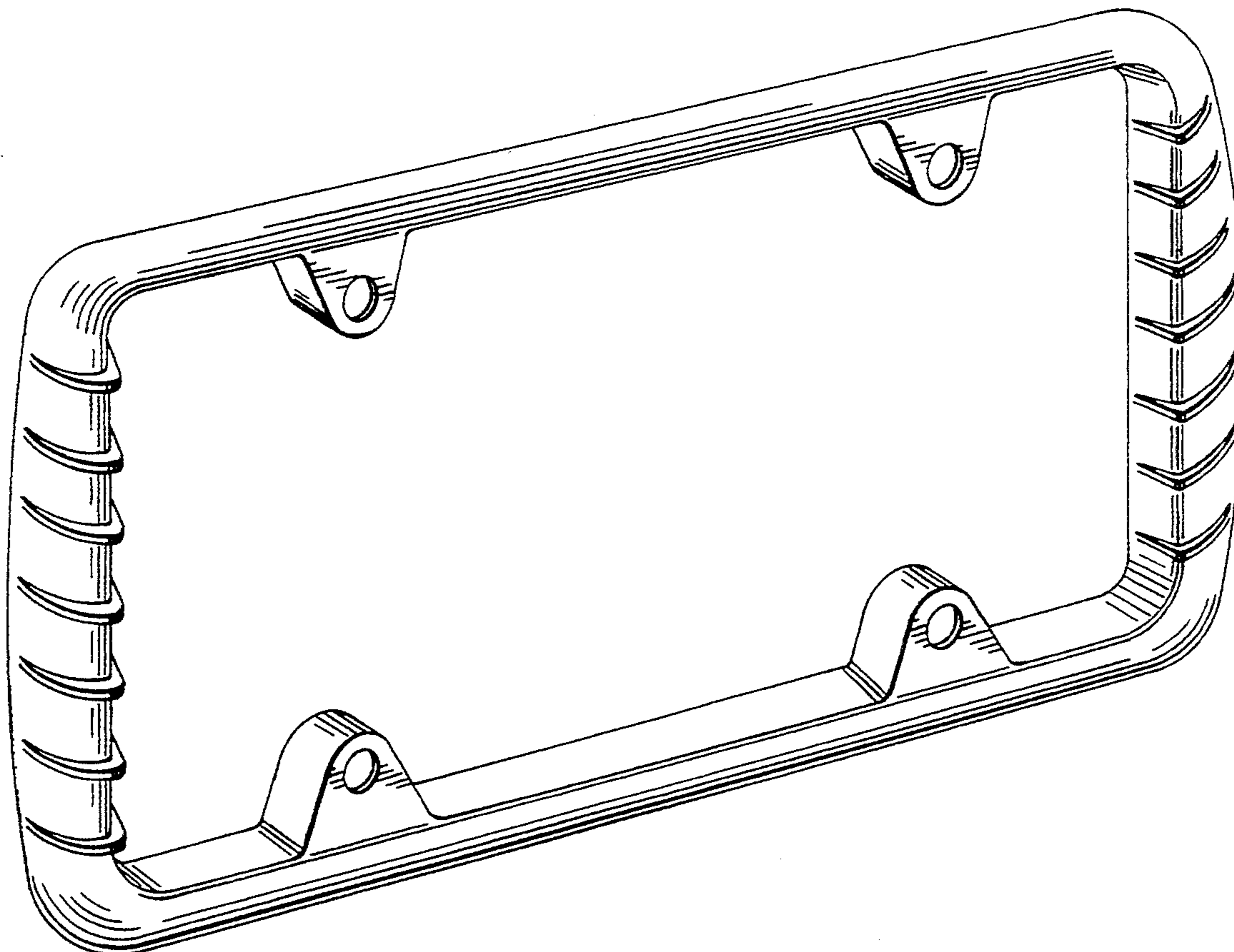


FIG. 1

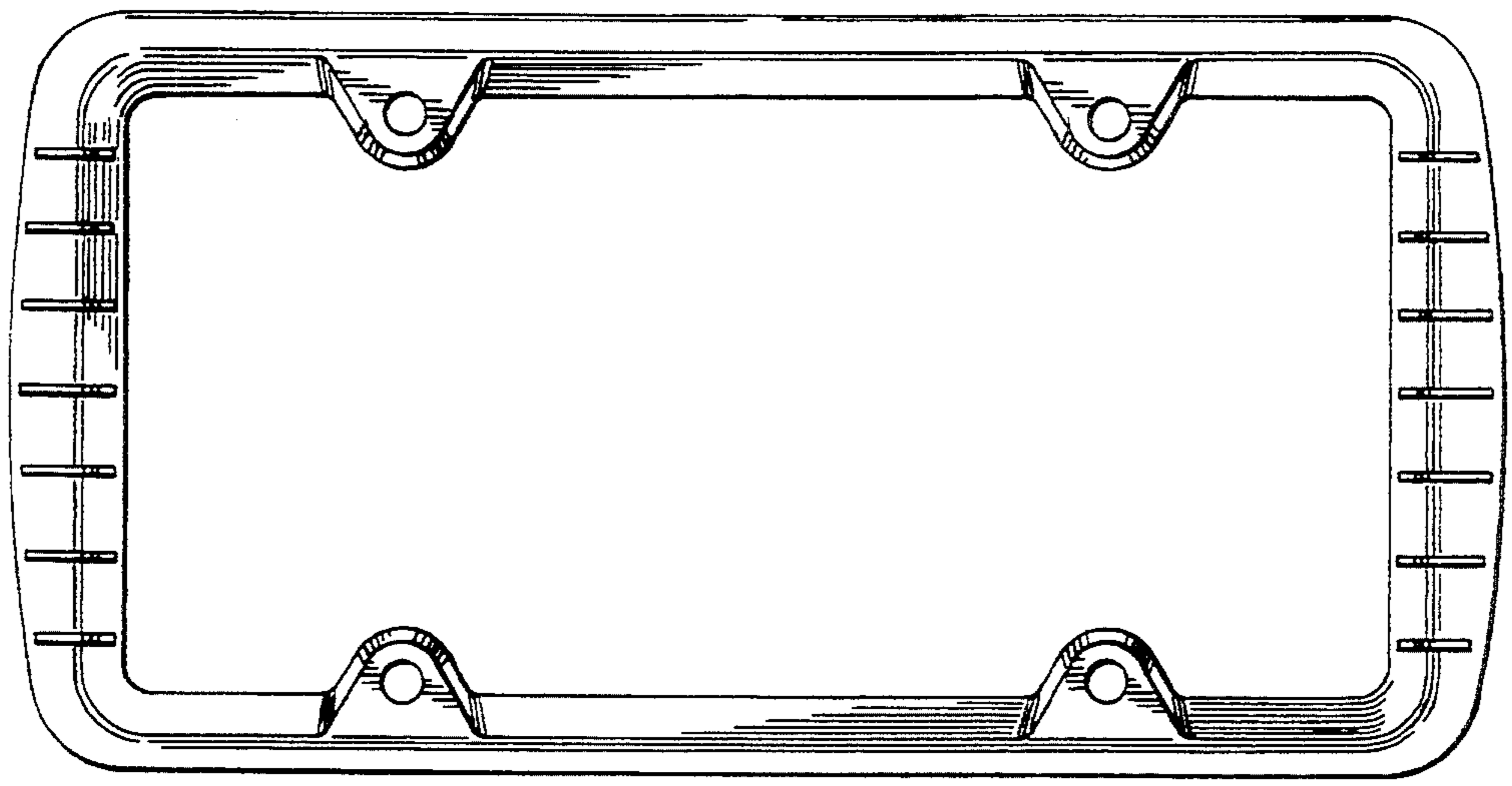
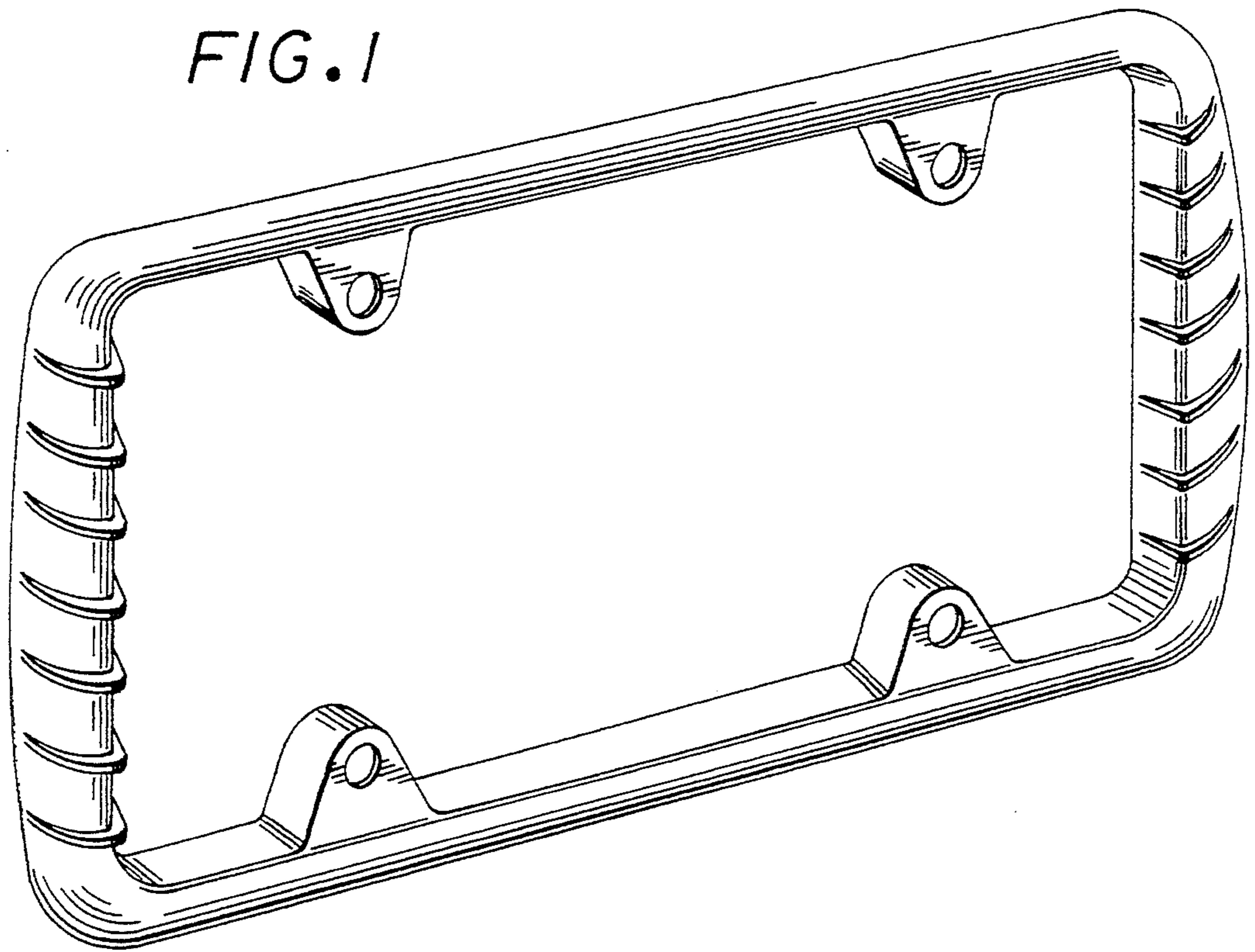


FIG. 2

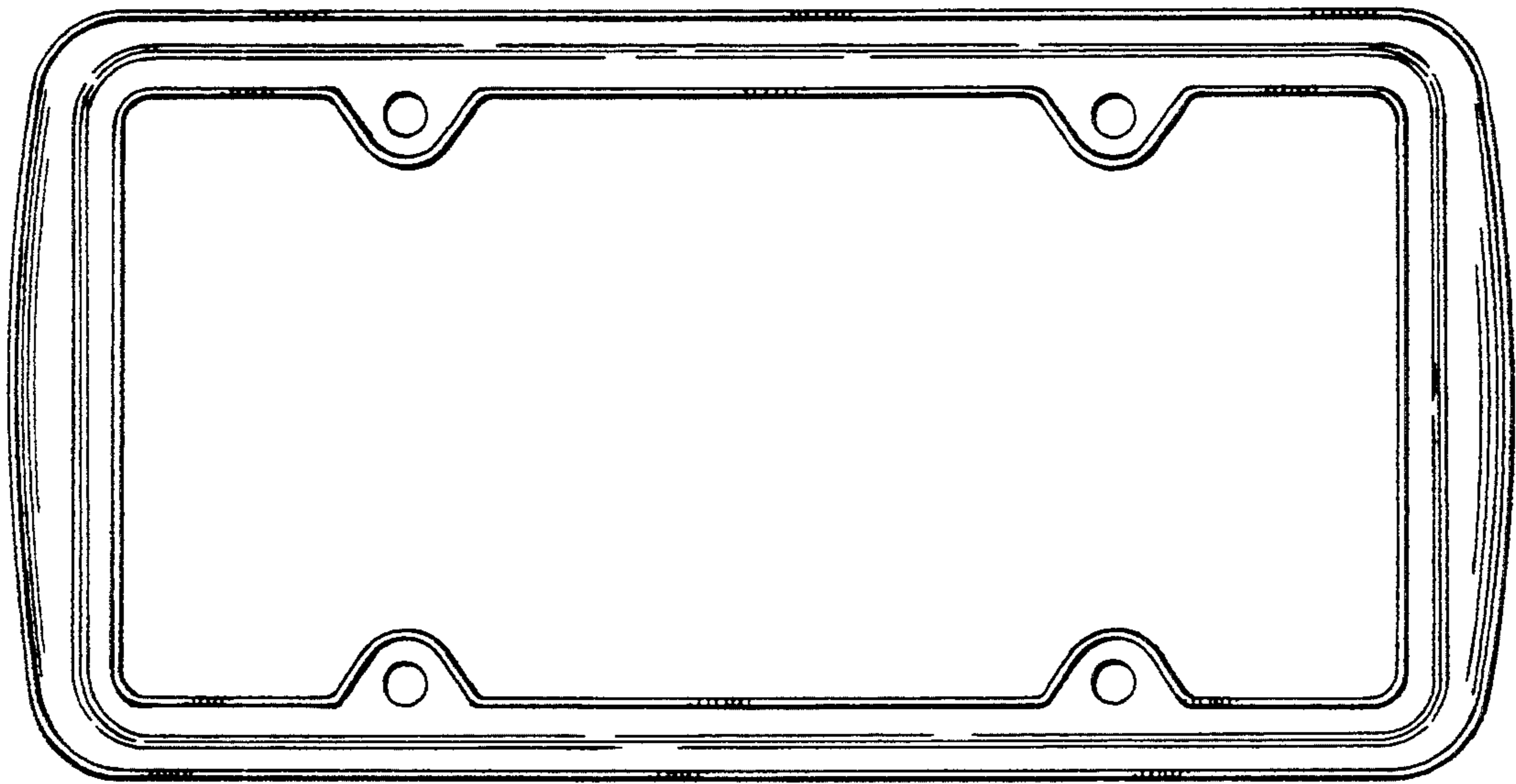


FIG. 3



FIG. 4



FIG. 5