



US00D359259S

United States Patent [19]

Hokkanen et al.

[11] Patent Number: **Des. 359,259**

[45] Date of Patent: **** Jun. 13, 1995**

[54] WALKER
[75] Inventors: **Markku Hokkanen; Risto Pitkäkangas**, both of Asunta, Finland

[73] Assignee: **Jafi Multia Oy**, Asunta, Finland

[**] Term: **14 Years**

[21] Appl. No.: **14,416**

[22] Filed: **Oct. 21, 1993**

[30] **Foreign Application Priority Data**

Apr. 19, 1993 [FI] Finland 241/93

[52] U.S. Cl. **D12/130**

[58] Field of Search D12/128, 130; 482/68; 135/67; 280/755, 87.051; 297/5, 6

[56] **References Cited**

U.S. PATENT DOCUMENTS

3,391,930 7/1968 Weissman 482/68
4,211,309 7/1980 Ruggiero 482/68

4,765,355 8/1988 Kent 482/68
4,946,158 8/1990 Olayan et al. 482/68

FOREIGN PATENT DOCUMENTS

16202 8/1993 Finland .
16203 8/1993 Finland .

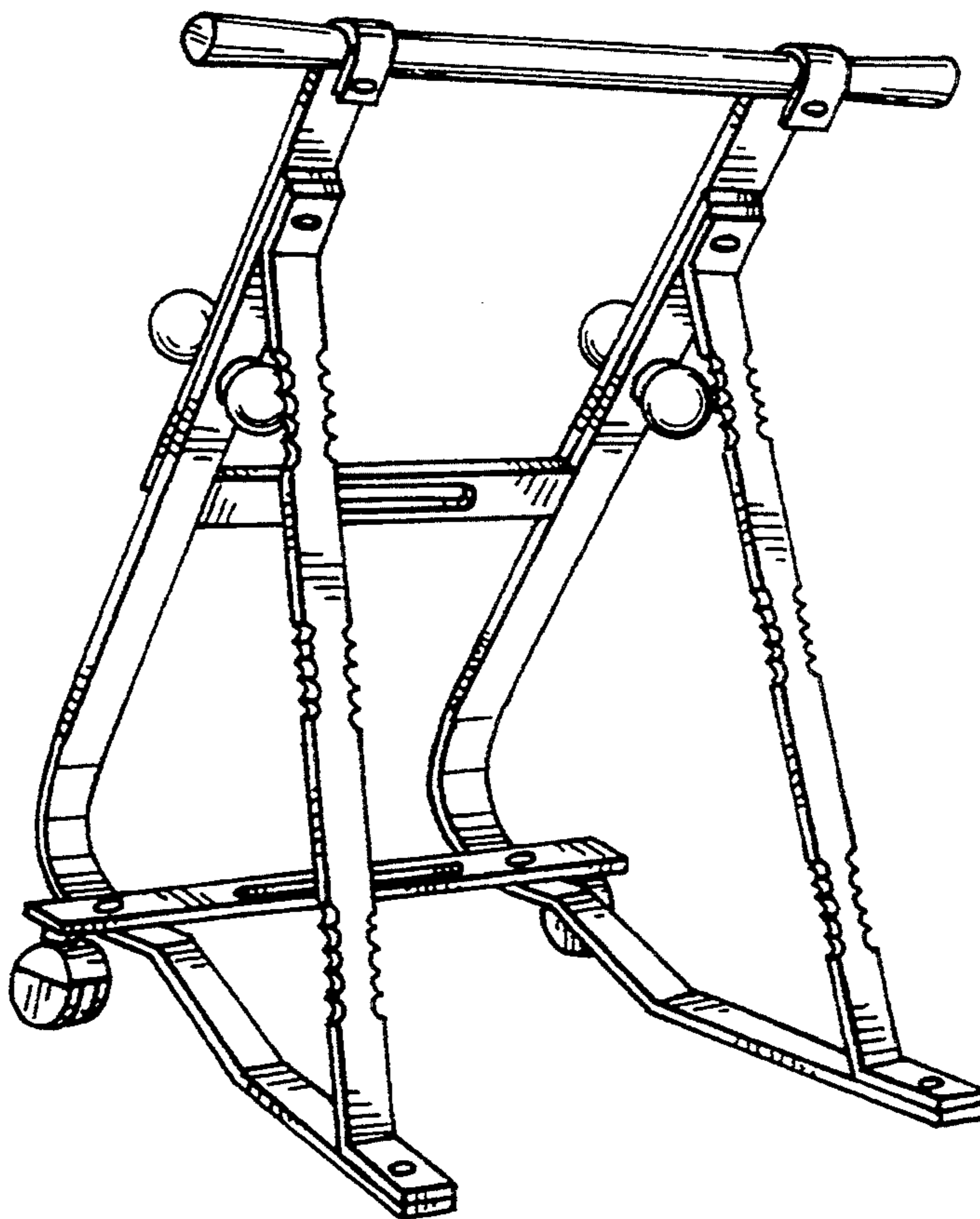
Primary Examiner—Kay H. Chin
Attorney, Agent, or Firm—Cushman Darby & Cushman

[57] **CLAIM**

The ornamental design for a walker, as shown and described.

DESCRIPTION

FIG. 1 is a perspective back view of a walker showing our new design;
FIG. 2 is a back view thereof;
FIG. 3 is a right side view thereof;
FIG. 4 is a front view thereof;
FIG. 5 is a top view thereof; and,
FIG. 6 is a bottom view thereof.



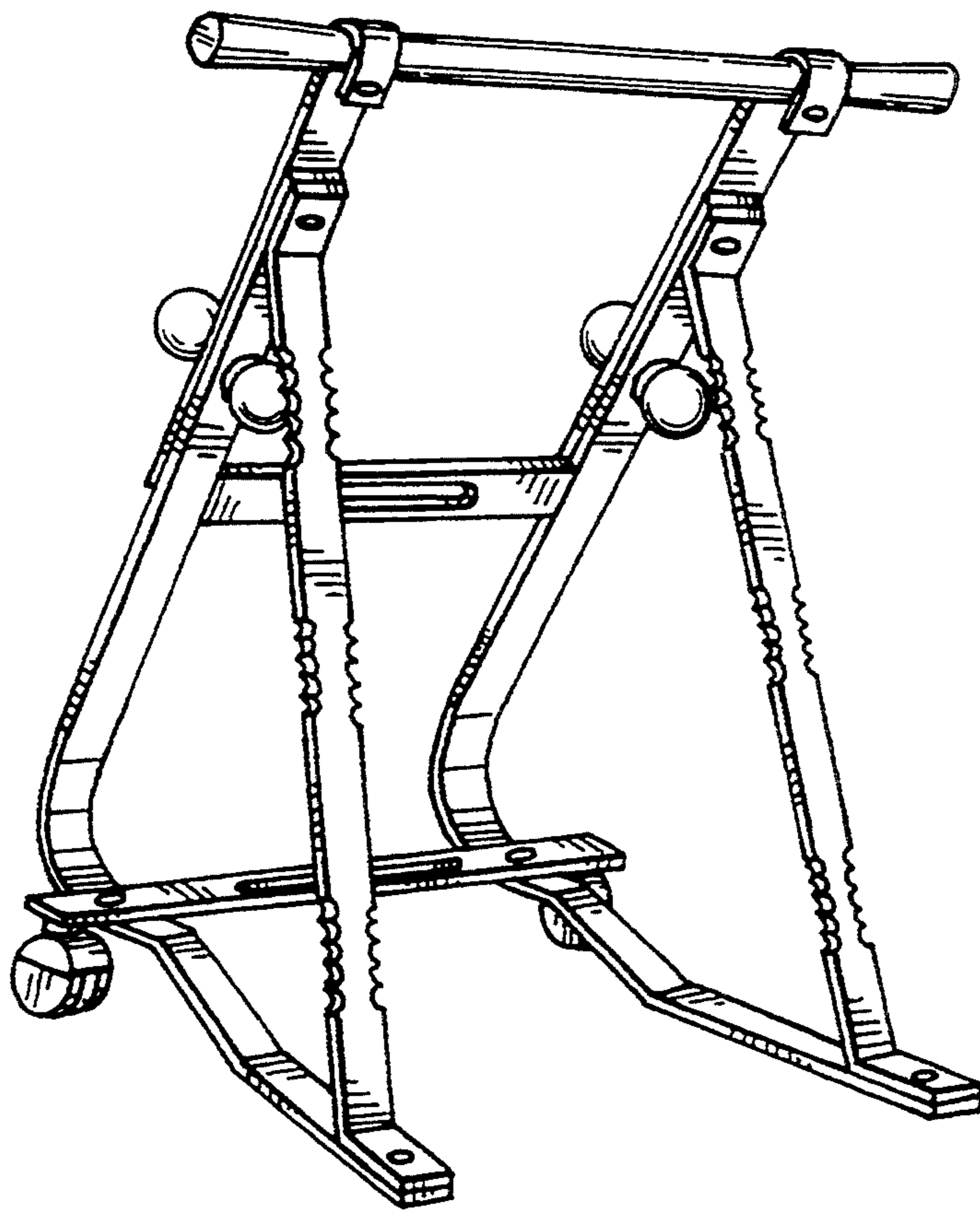


FIG. 1

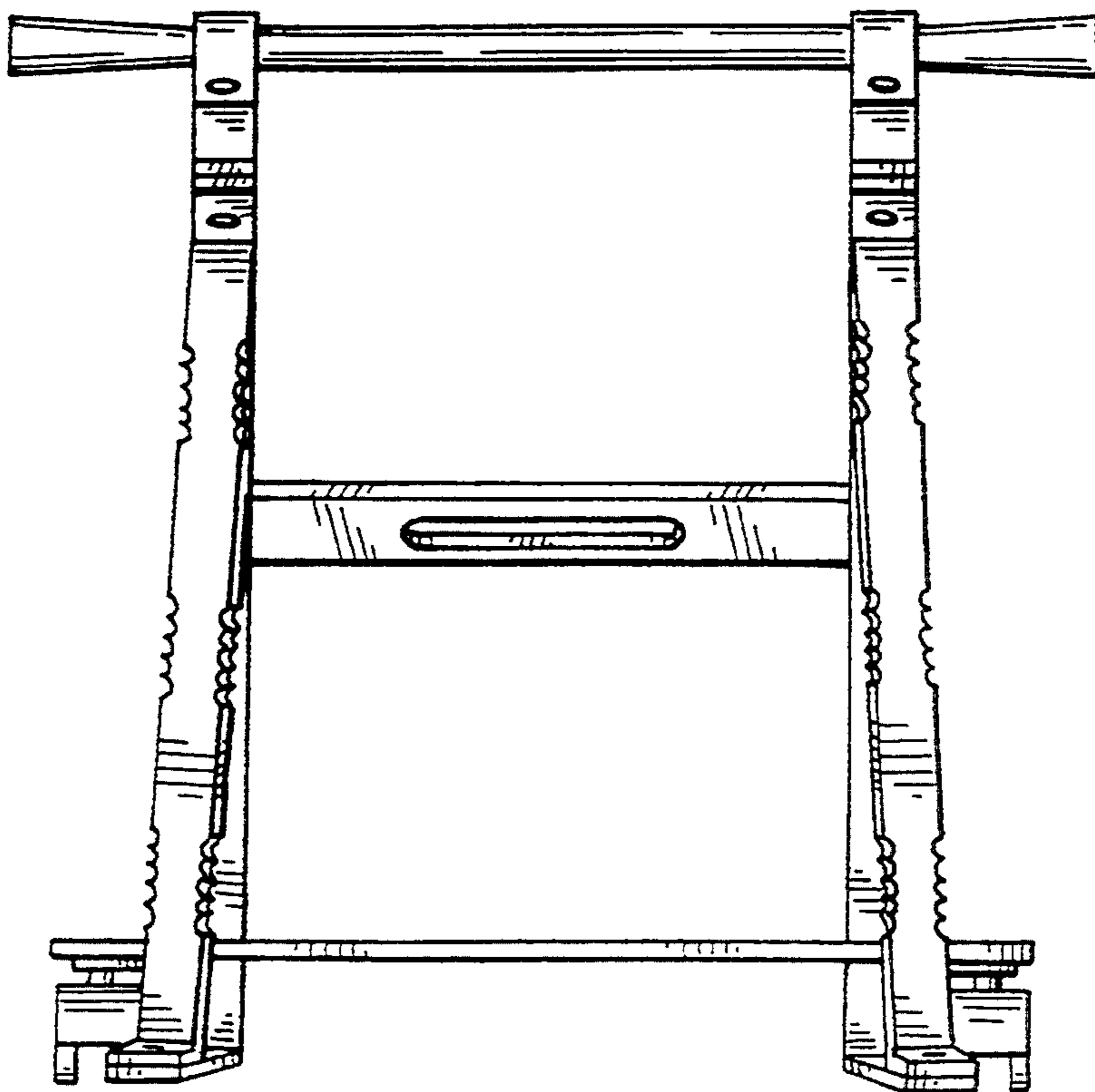


FIG. 2

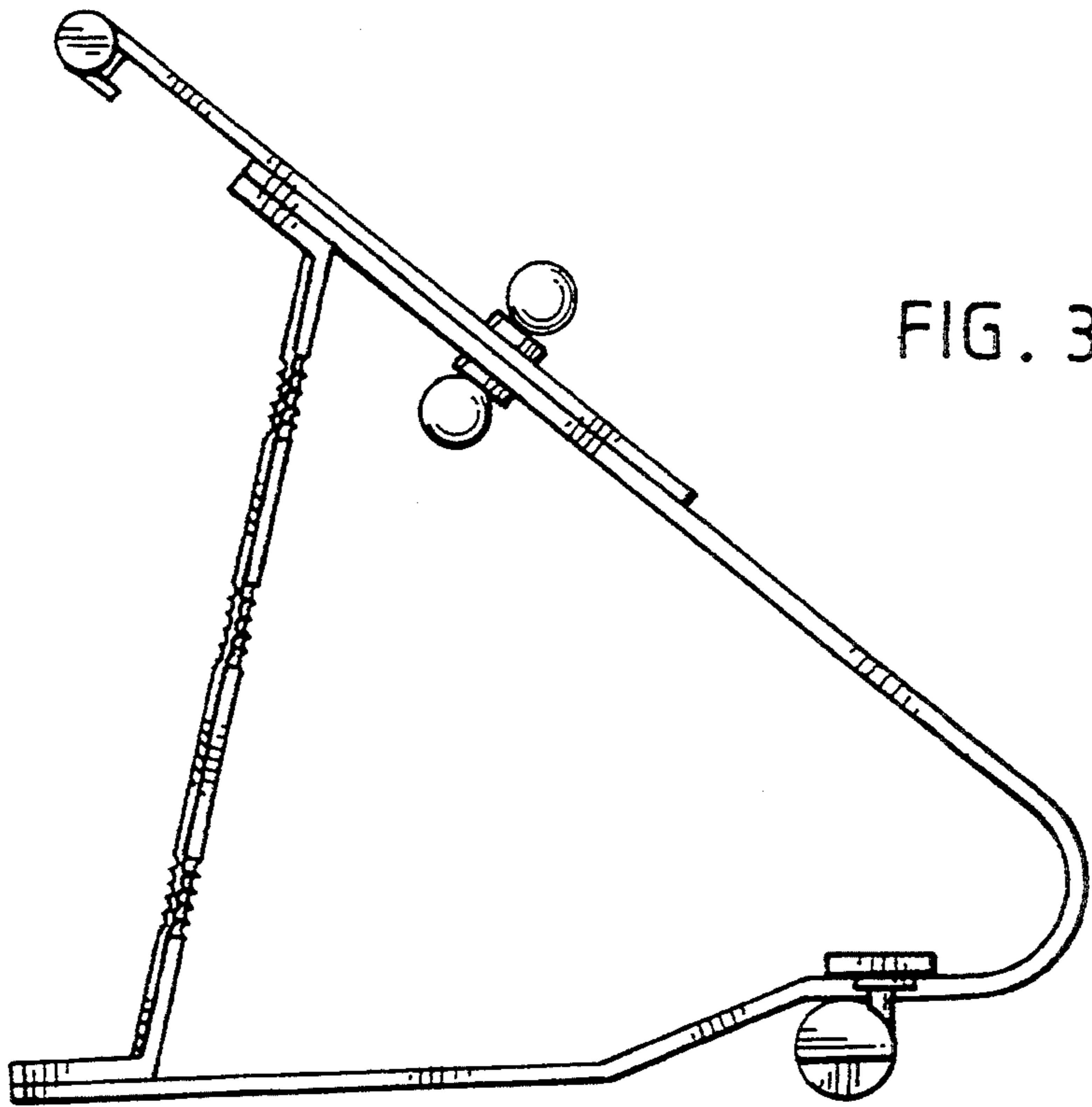


FIG. 3

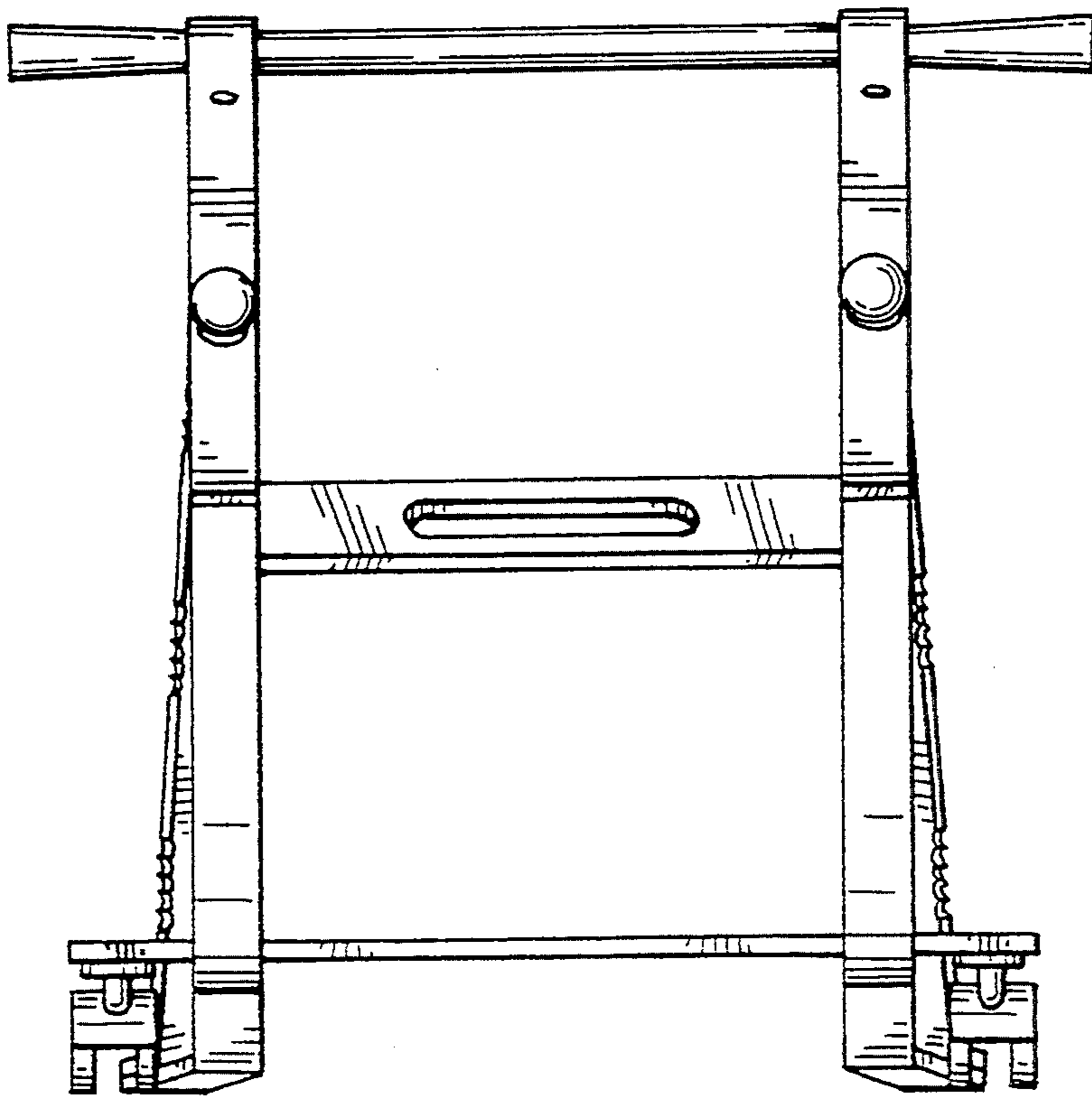


FIG. 4

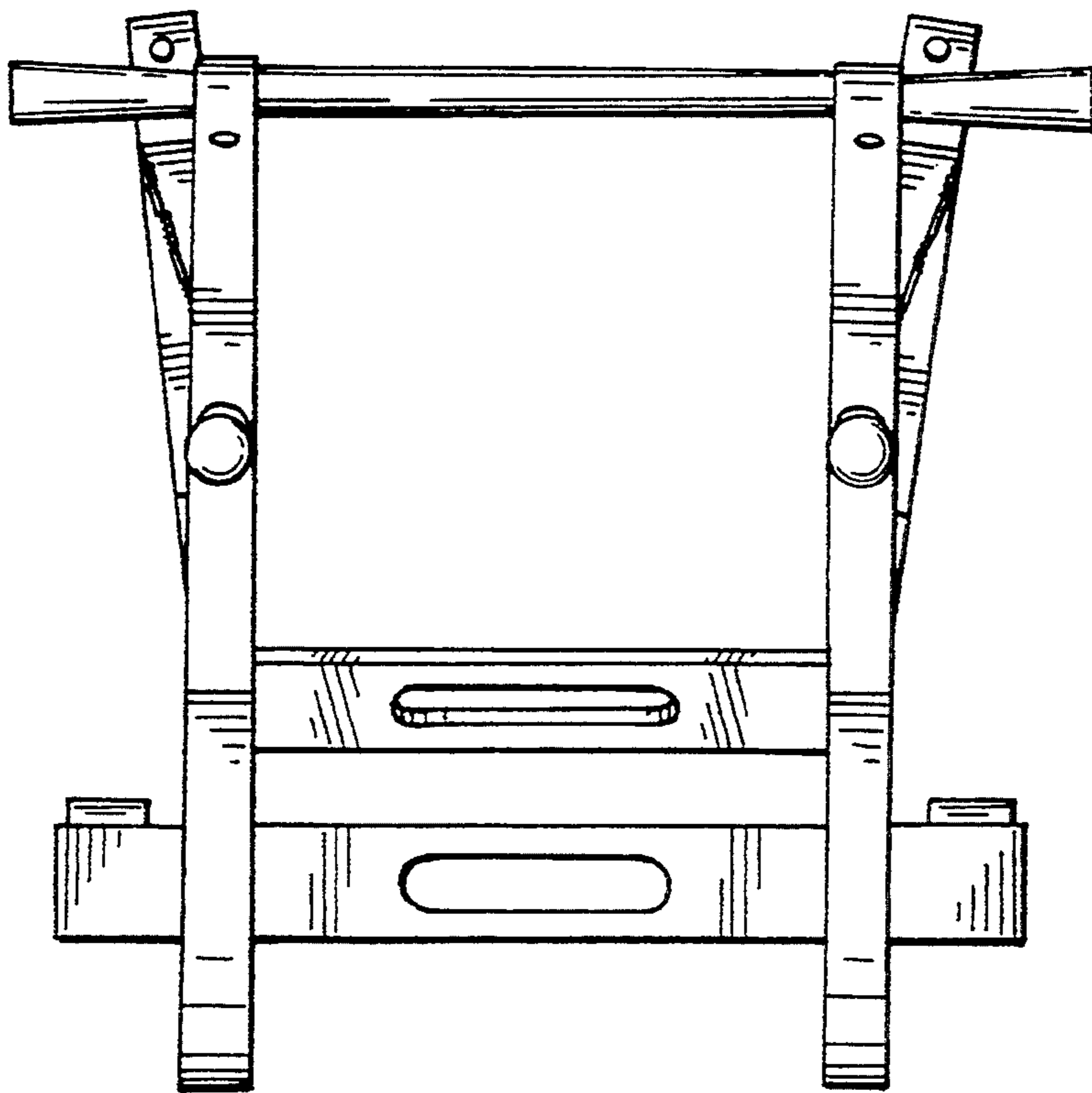


FIG. 5

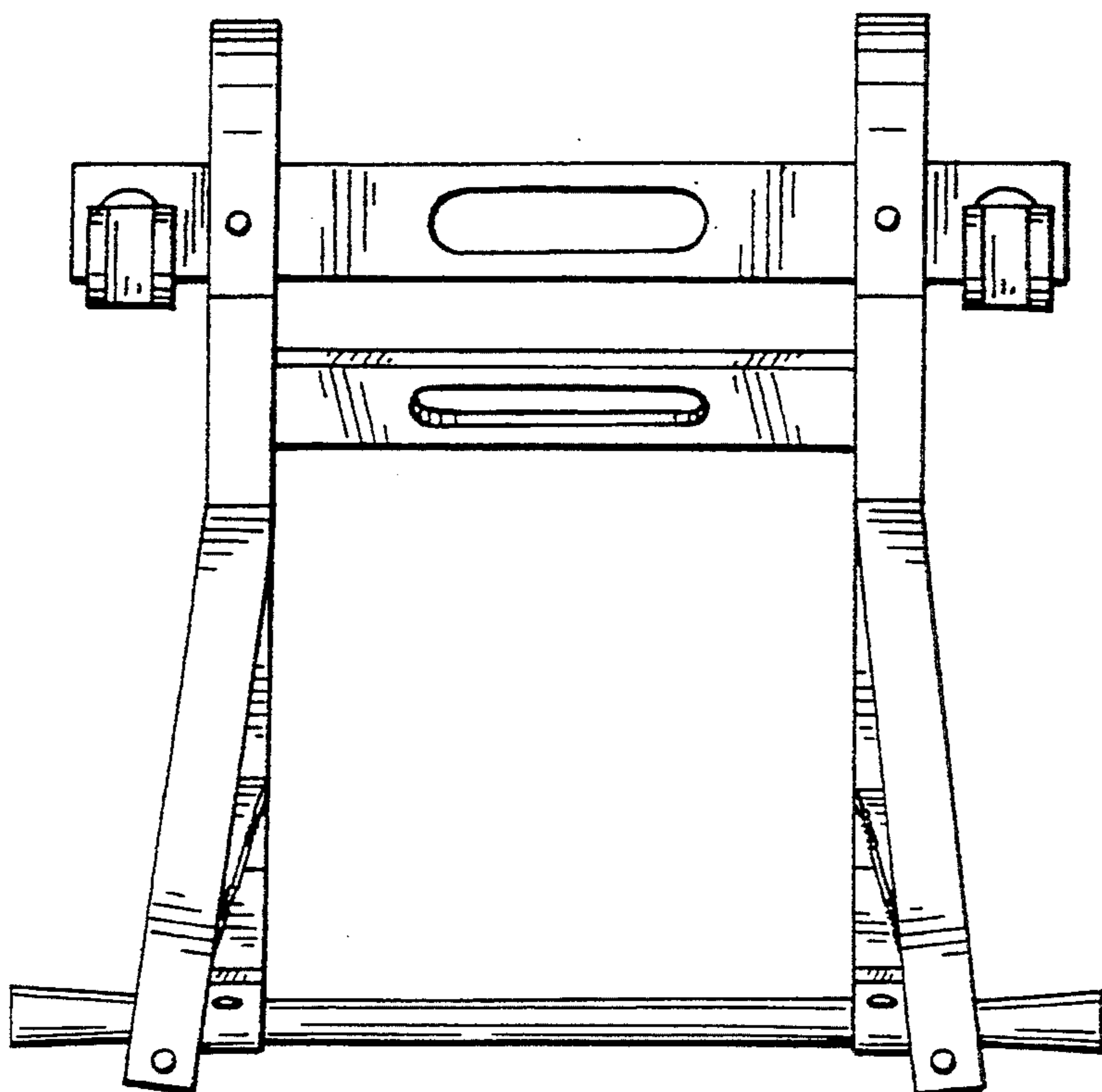


FIG. 6