



US00D359258S

United States Patent [19] Judycki

[11] Patent Number: Des. 359,258
[45] Date of Patent: ** Jun. 13, 1995

- [54] REMOVABLE WRITING SURFACE AND PAPER HOLDER FOR WHEELCHAIR ARMRESTS
- [76] Inventor: **Joan Judycki**, 83 Pinckney, Apt. BF, Boston, Mass. 02114
- [**] Term: **14 Years**
- [21] Appl. No.: **20,813**
- [22] Filed: **Apr. 4, 1994**
- [52] U.S. Cl. **D12/133**
- [58] Field of Search D12/133, 131, 128; 297/153, 155, 145, 150, DIG. 4

- 4,662,676 5/1987 Havelock .
- 4,705,287 11/1987 Cumbie .
- 4,779,884 10/1988 Minati .
- 5,026,114 6/1991 Miller .
- 5,040,813 8/1991 Cumbie .
- 5,074,617 12/1991 Maxwell .
- 5,139,309 8/1992 Kornreich .
- 5,207,477 5/1993 Maxwell .
- 5,228,711 7/1993 Summers .

FOREIGN PATENT DOCUMENTS

- 3204829 10/1984 Germany .

Primary Examiner—Kay H. Chin
Attorney, Agent, or Firm—James A. Hinkle

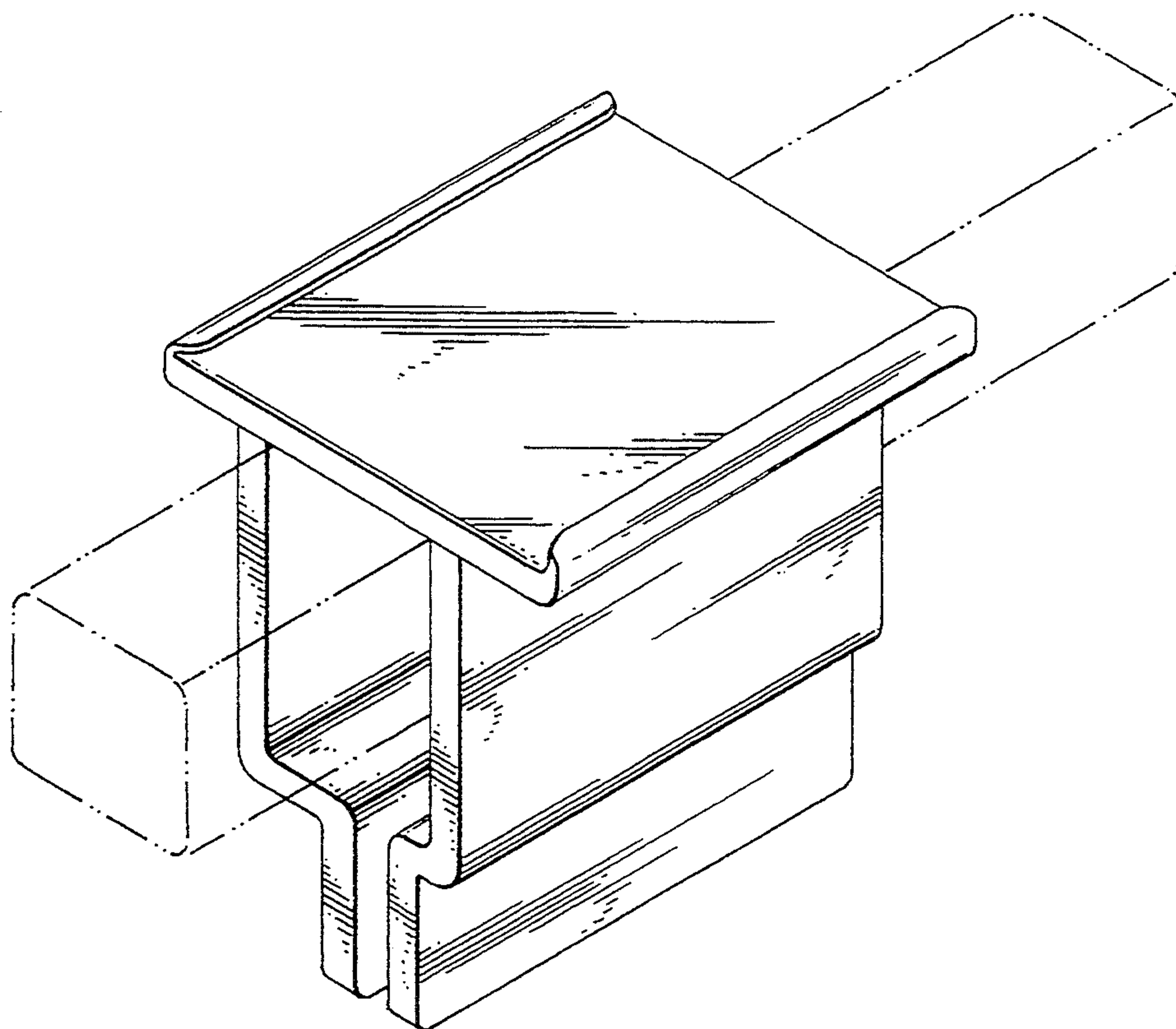
[56] References Cited U.S. PATENT DOCUMENTS

- D. 218,844 9/1970 Davis .
- D. 263,458 3/1982 Milizia .
- 3,586,368 6/1971 Guild .
- 3,870,362 3/1975 Large .
- 3,999,798 12/1976 Roulier .
- 4,022,136 5/1977 Schott .
- 4,081,198 3/1978 Penney .
- 4,288,122 9/1981 Meek .
- 4,373,756 2/1983 Purdy et al. .
- 4,428,616 1/1984 Hamilton .
- 4,526,419 7/1985 Bowman et al. .
- 4,566,732 1/1986 Ostergaard et al. .
- 4,575,149 3/1986 Forestal et al. 297/153
- 4,591,206 5/1986 Pribble .

[57] CLAIM
The ornamental design for a removable writing surface and paper holder for wheelchair armrests, as shown and described.

DESCRIPTION

FIG. 1 is a top perspective view of a removable writing surface and paper holder for wheelchair armrests showing my new design with a wheelchair armrest shown in phantom lines for environmental purposes; FIG. 2 is a top plan view thereof; FIG. 3 is a front elevation view thereof, the rear elevational view being identical; FIG. 4 is a bottom plan view thereof; and, FIG. 5 is a right side elevational view thereof, the left side elevational view being identical.



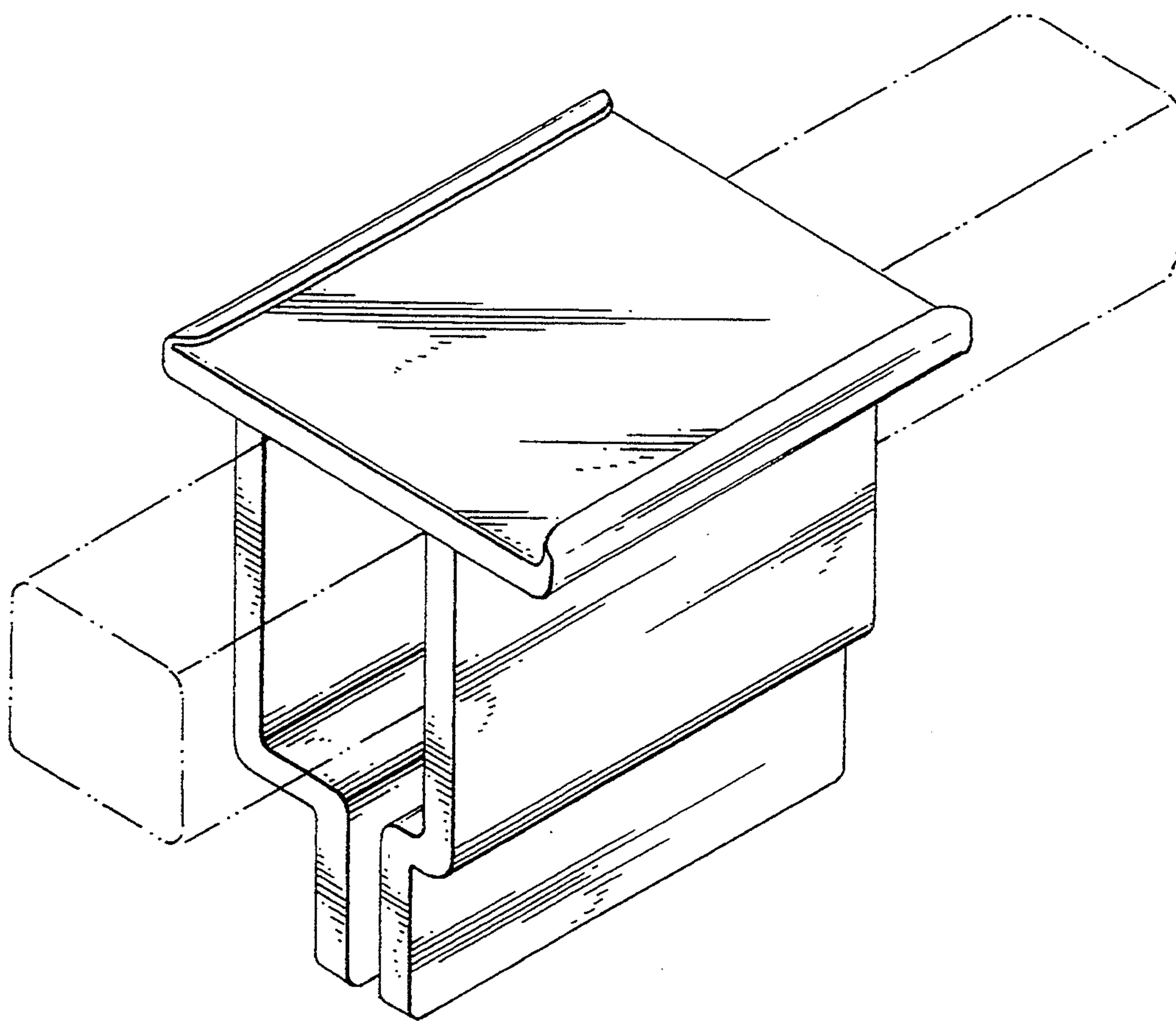


Fig. 1

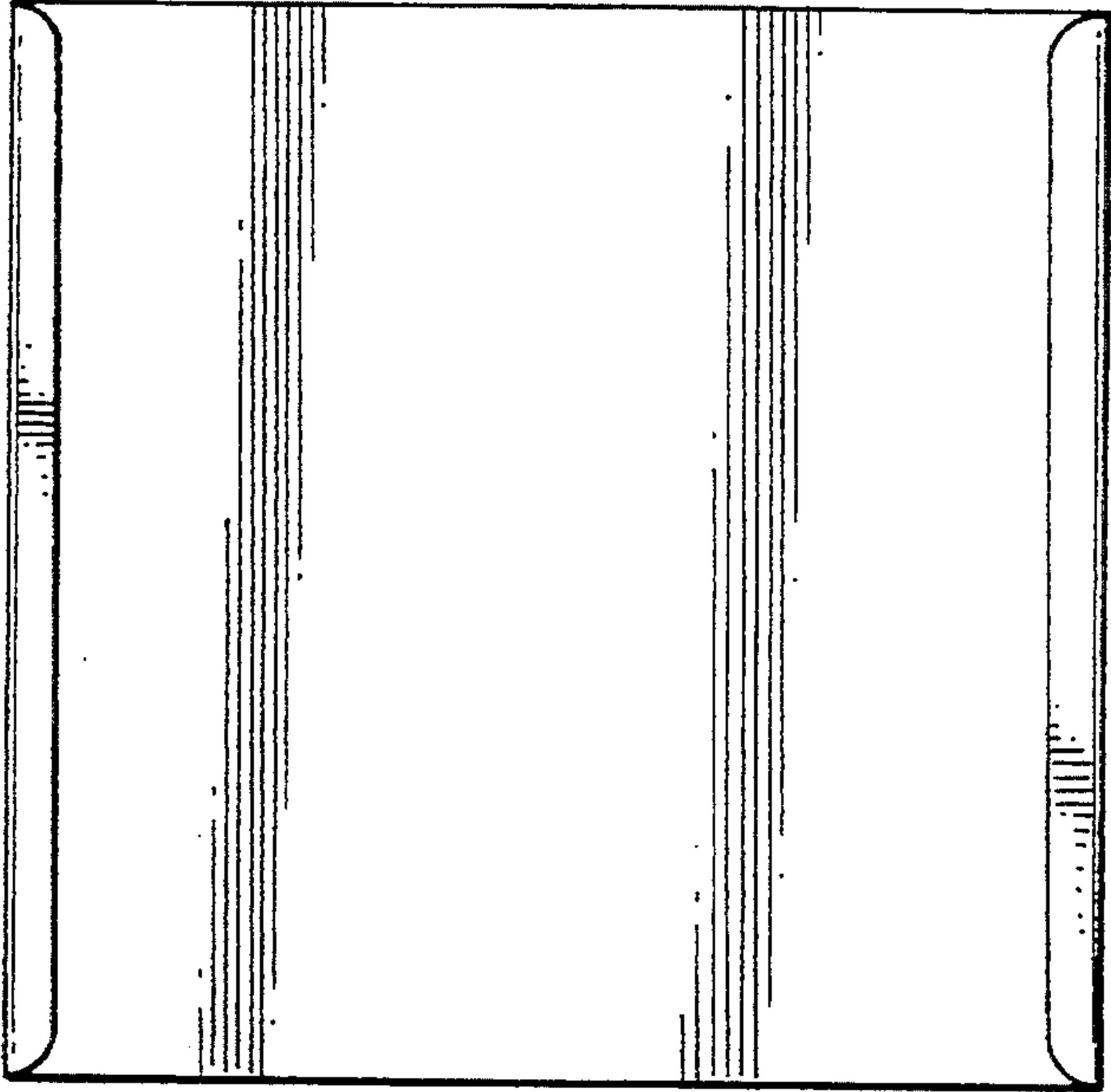


Fig. 2

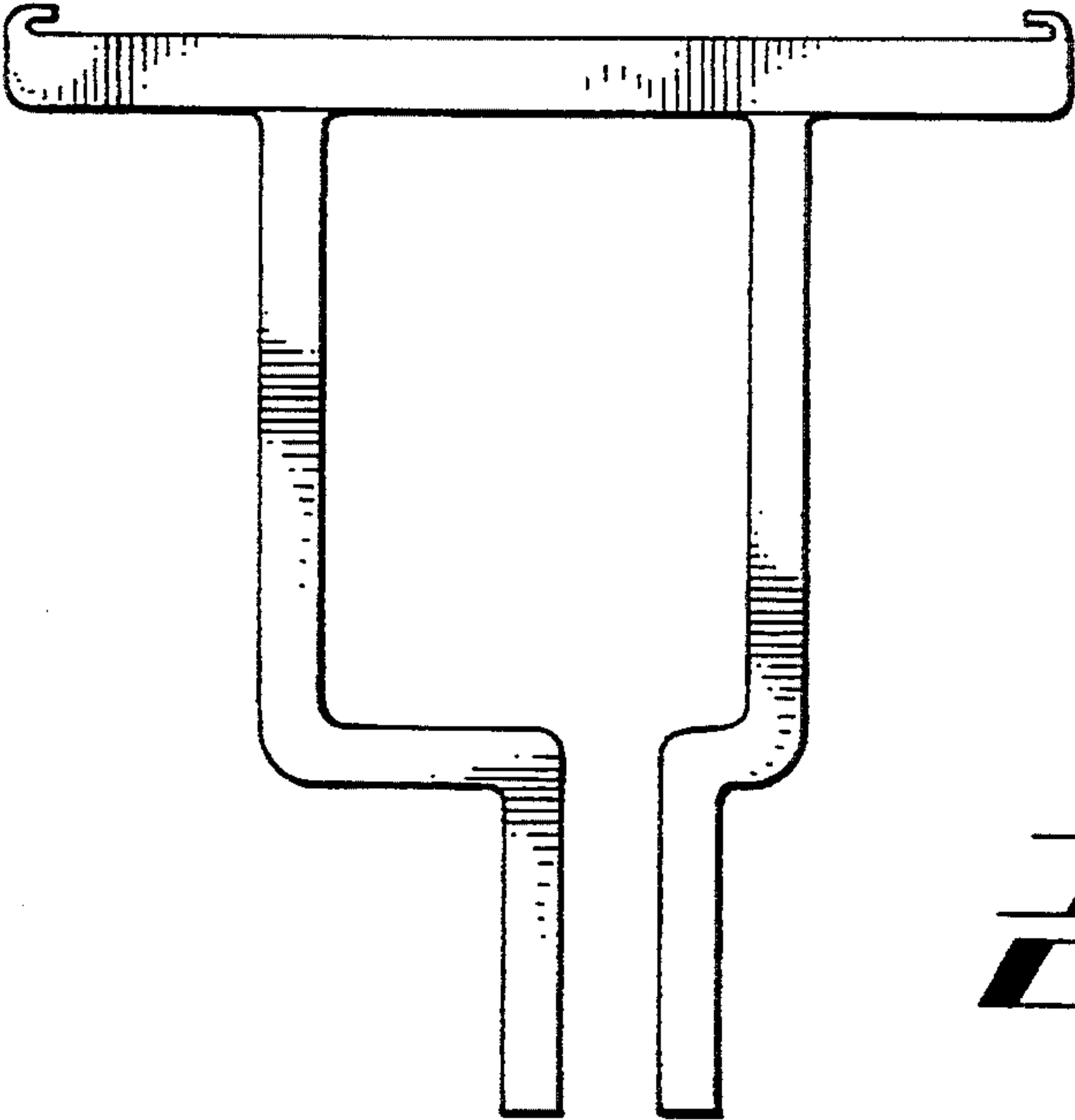


Fig. 3

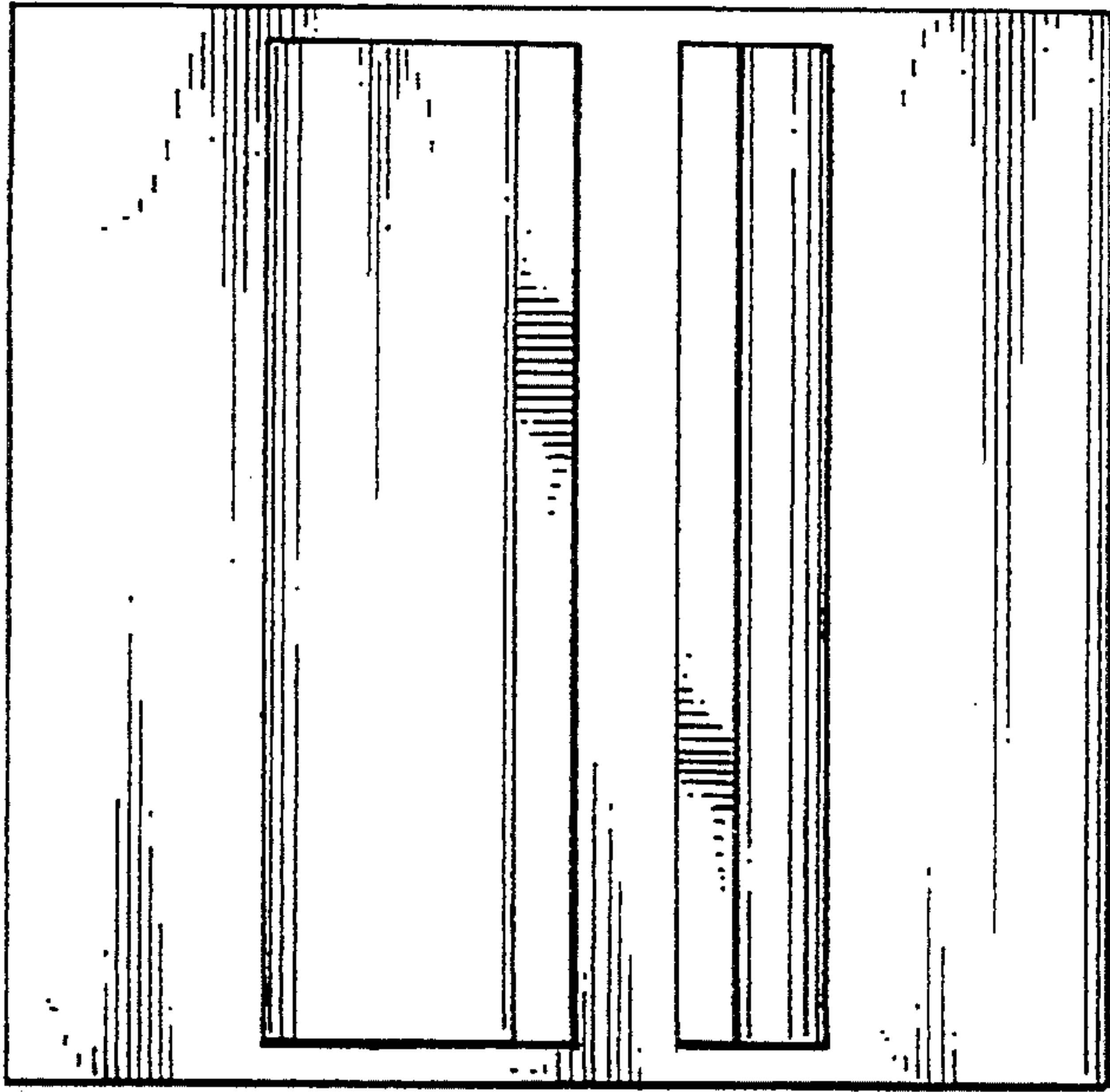


Fig. 4

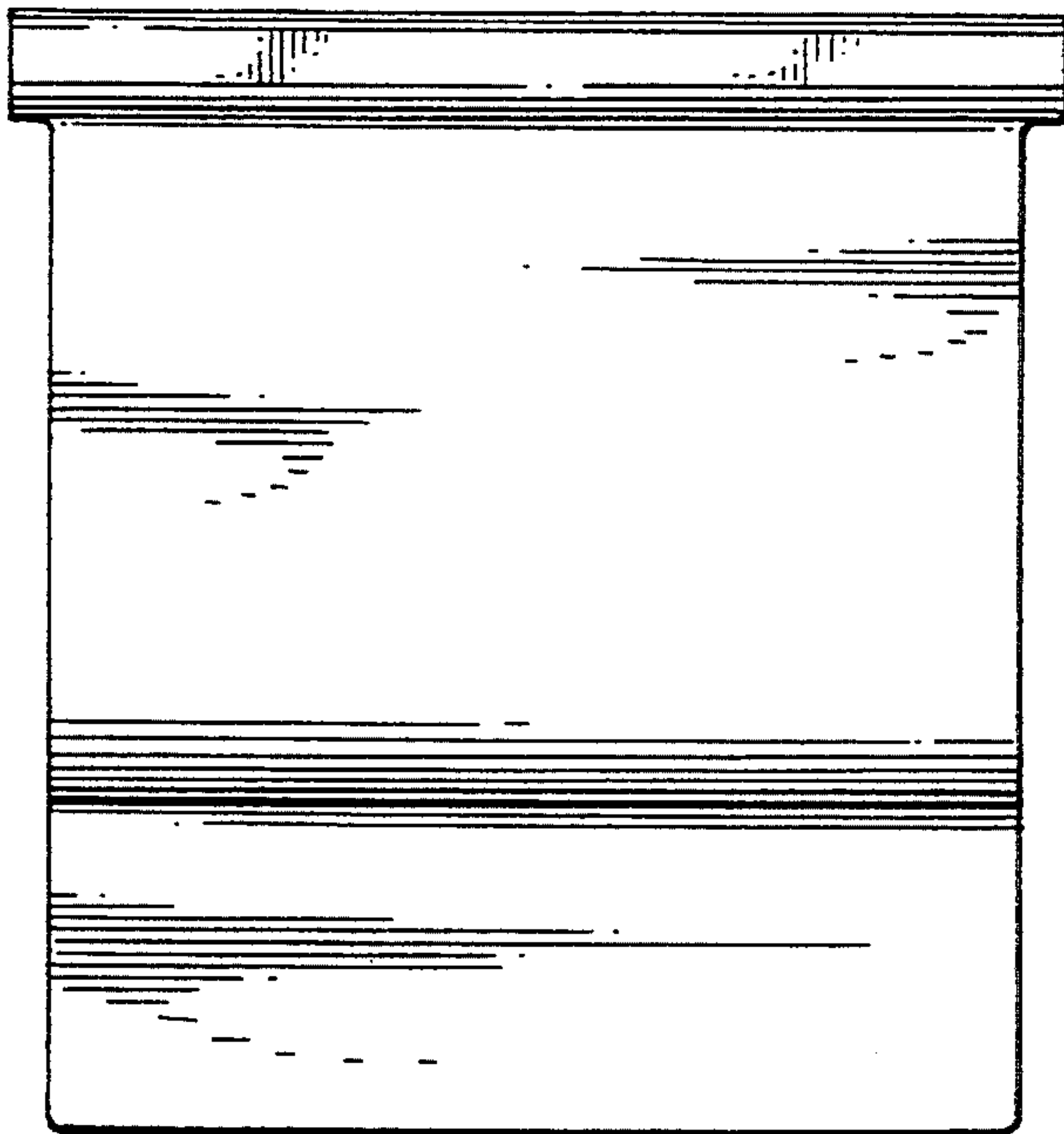


Fig. 5