



US00D359252S

United States Patent [19]

[11] Patent Number: **Des. 359,252**

Wilkes et al.

[45] Date of Patent: **** Jun. 13, 1995**

[54] **PROXIMITY SENSOR**

Attorney, Agent, or Firm—George Dunsmuir

[76] Inventors: **Patrick Wilkes**, 806 Varsity Estates Pl. NW, Calgary, alberta, Canada, T3B 3X3; **Roger E. Sparks**, 123 Sanderling Place NW, Calgary, Alberta, Canada, T3K 3A8

[57] **CLAIM**

The ornamental design for a proximity sensor, as shown and deccribed.

[**] Term: **14 Years**

DESCRIPTION

[21] Appl. No.: **20,829**

FIG. 1 is a front perspective view of the proximity sensor according to our designn;

[22] Filed: **Apr. 4, 1994**

FIG. 2 is a front view of the proximity sensor according to FIG. 1;

[52] U.S. Cl. **D10/110**

FIG. 3 is a rear view of the proximity sensor according to FIG. 1;

[58] Field of Search D10/46, 70, 109, 110;
116/28, 29, 35 R, 28 A

FIG. 4 is a side view of the proximity sensor according to FIG. 1;

[56] **References Cited**

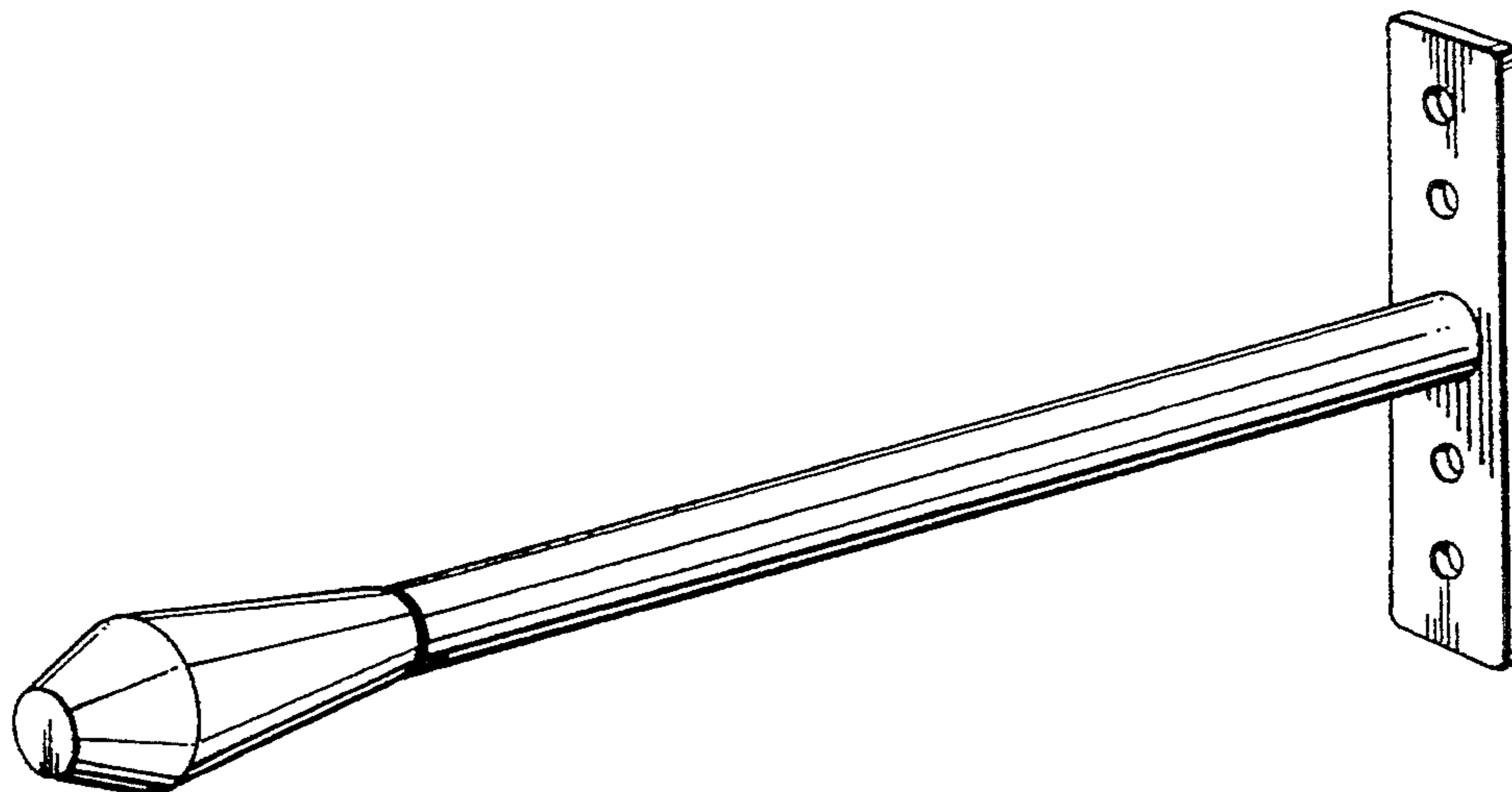
U.S. PATENT DOCUMENTS

FIG. 5 is a plan view of the proximity sensor according to FIG. 1; and,

D. 336,056 6/1993 Valdez D10/110

FIG. 6 is a front perspective view of the proximity sensor according to FIG. 1 in the open and operable position.

Primary Examiner—Antoine Dural Davis



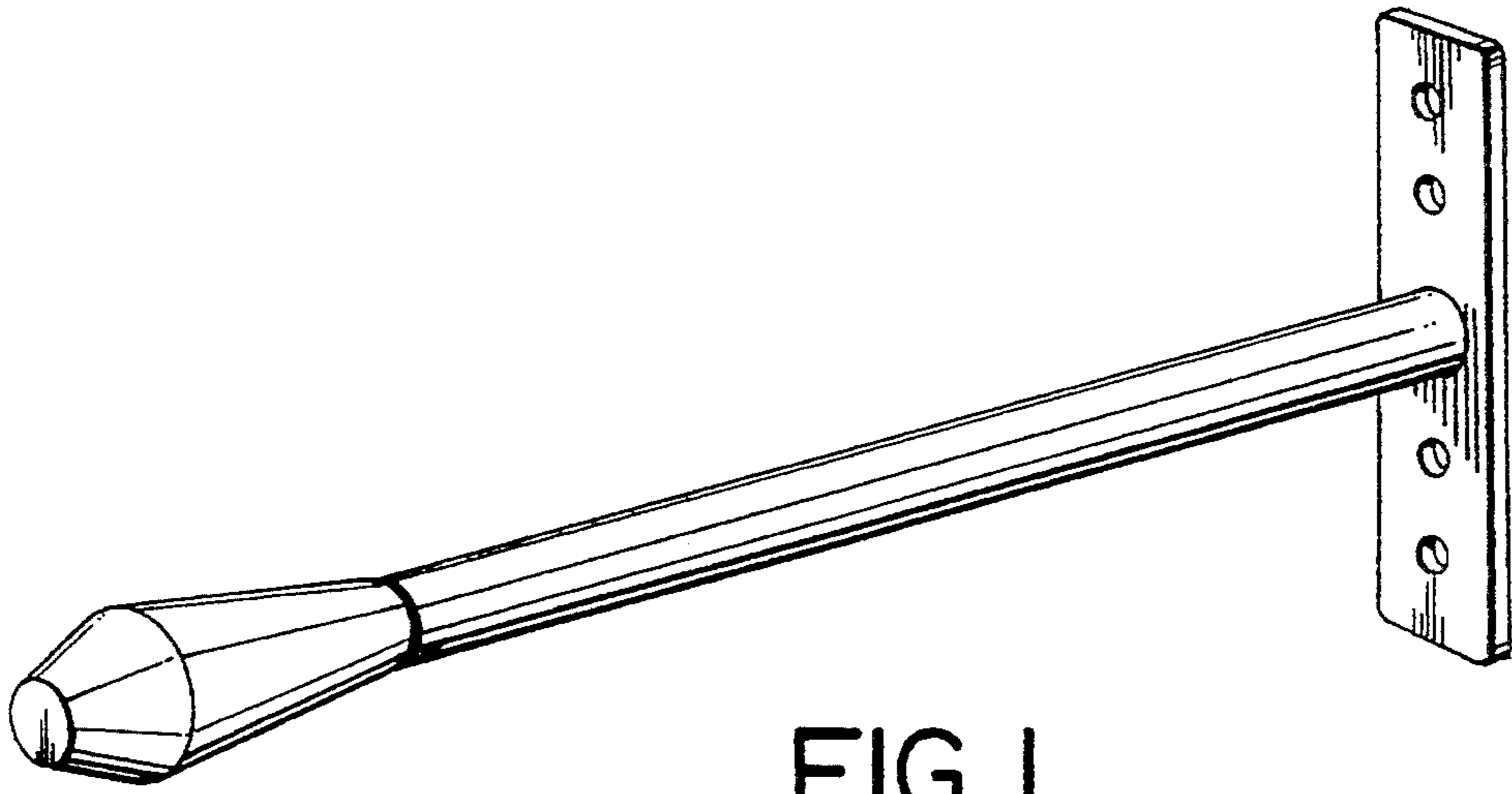


FIG. 1

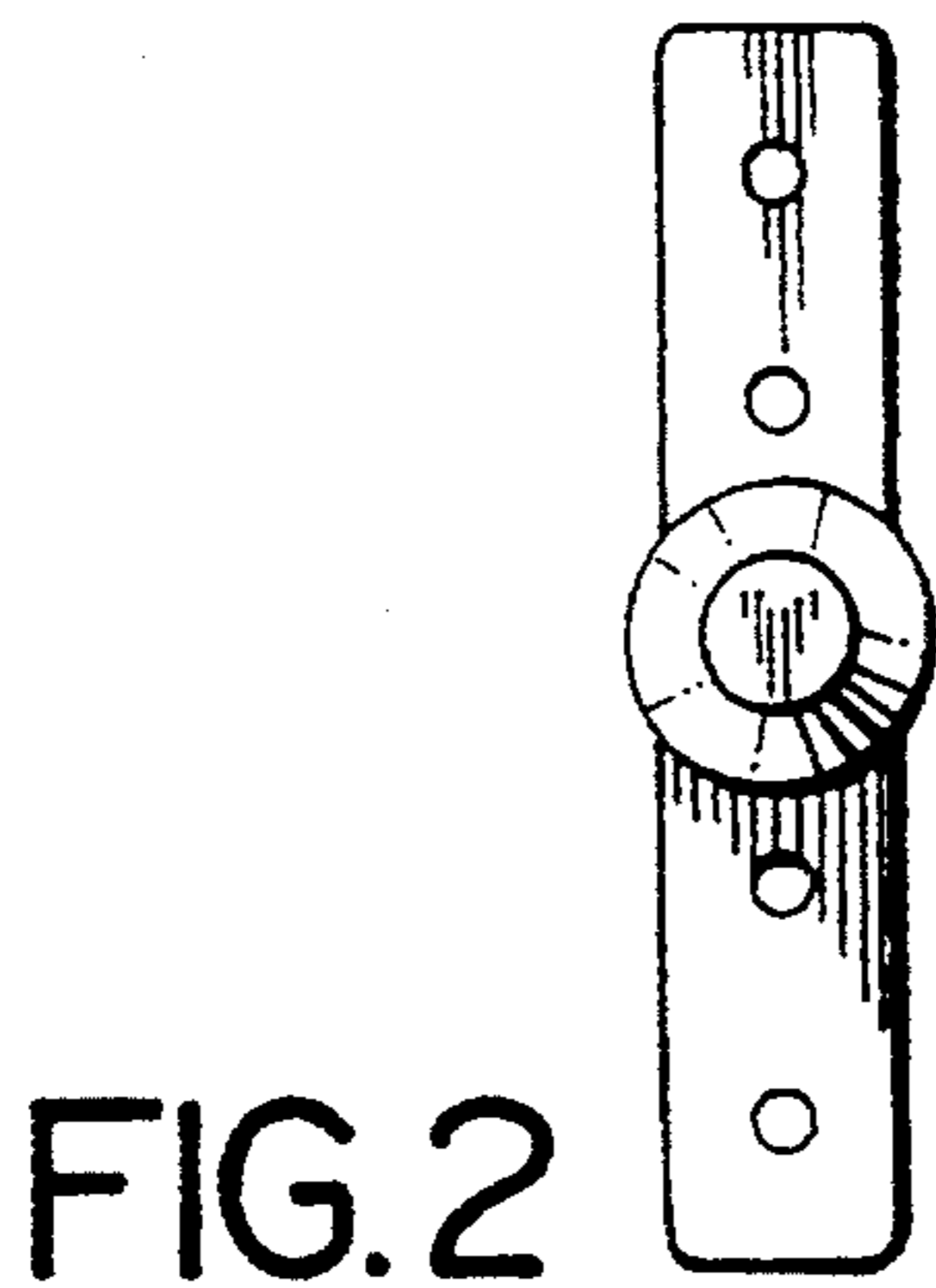


FIG. 2

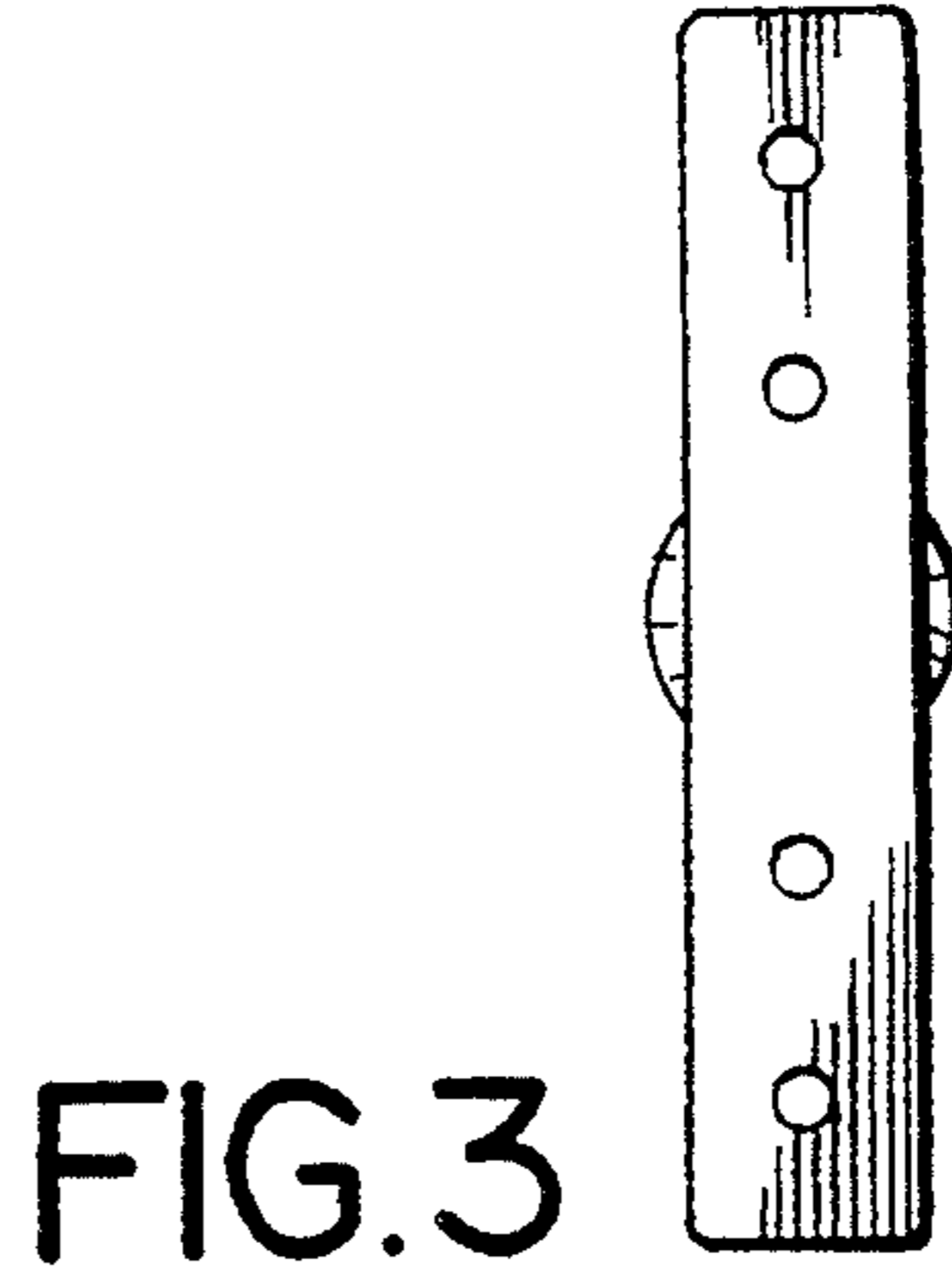


FIG. 3

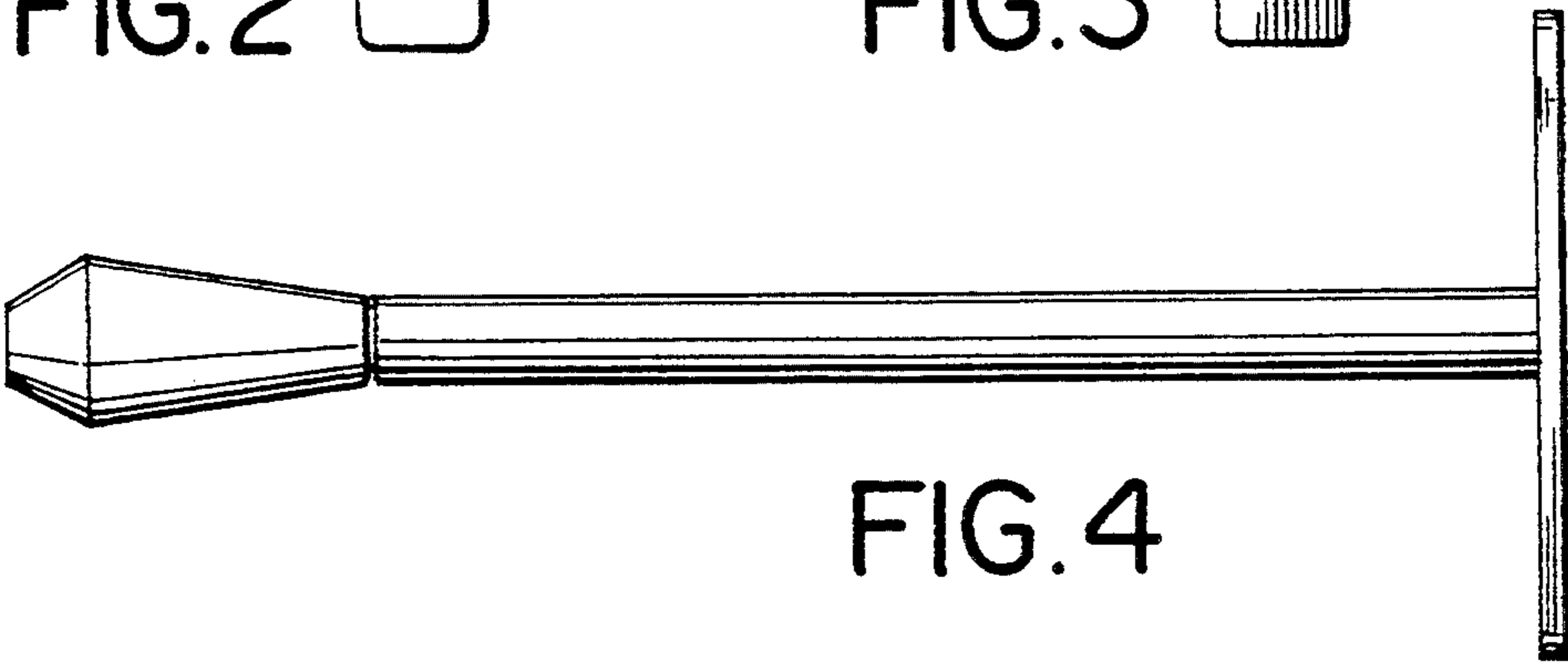


FIG. 4

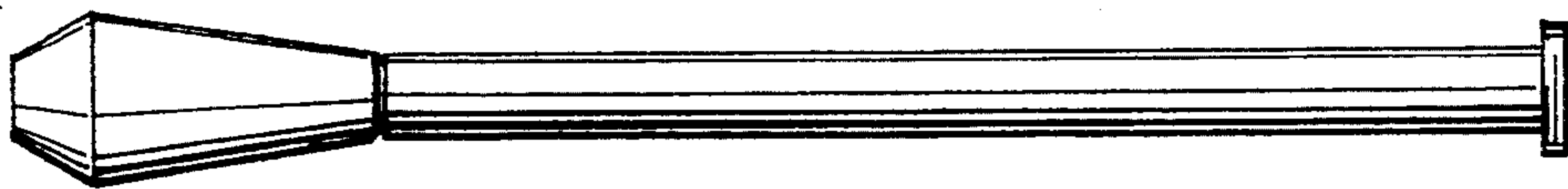


FIG. 5

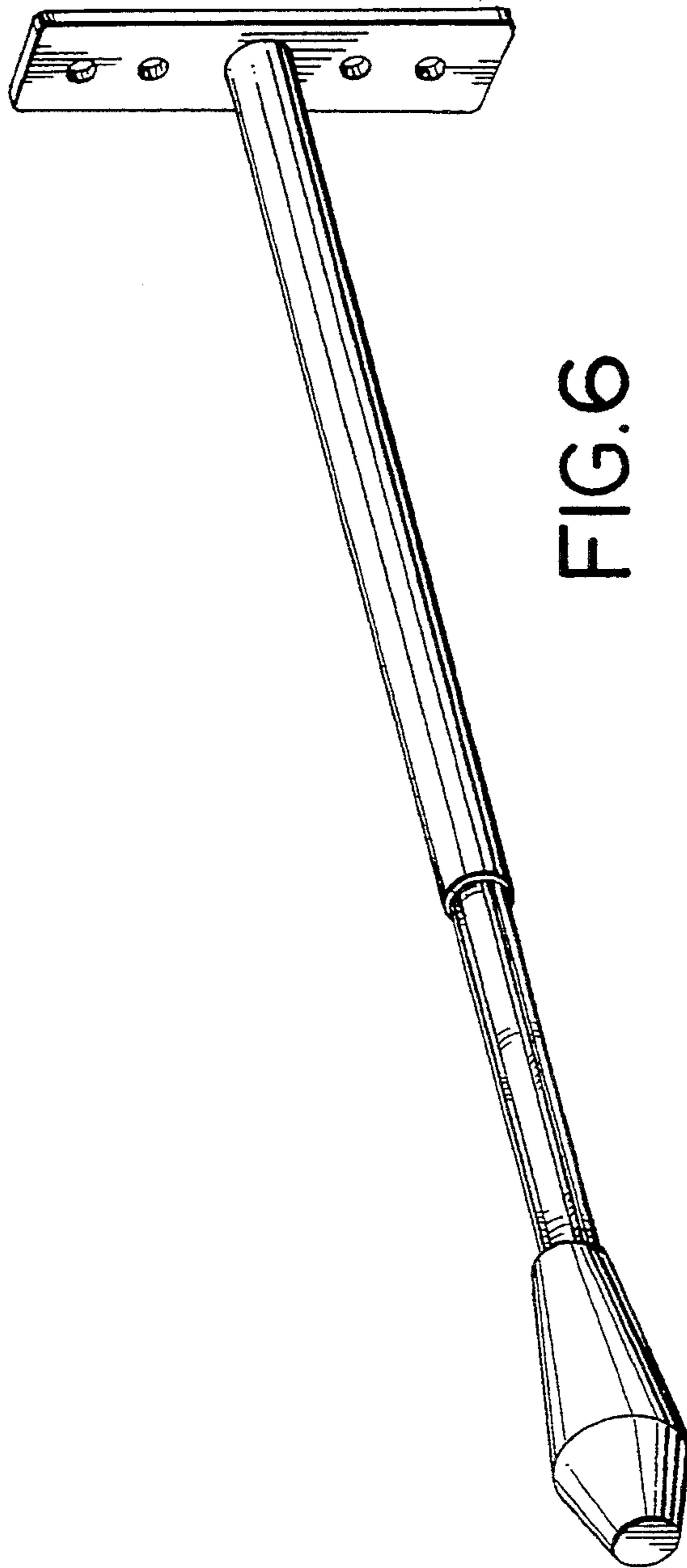


FIG. 6