



US00D359250S

United States Patent [19]

[11] Patent Number: **Des. 359,250**

McMurry

[45] Date of Patent: **** Jun. 13, 1995**

- [54] **COMBINATION GAUGE GLASS
TEC-CONNECTOR AND VALVE**
- [76] Inventor: **Melville B. McMurry**, 4305 S.
County Rd. 1184, Midland, Tex.
79706
- [**] Term: **14 Years**
- [21] Appl. No.: **5,142**
- [22] Filed: **Feb. 24, 1993**
- [52] U.S. Cl. **D10/102; D23/245**
- [58] Field of Search **D10/96, 100, 101, 102;
D23/238, 245; 73/328, 332, 333; 137/356, 360,
558, 886, 887**

1,361,303	12/1920	Breakey	73/333
1,468,117	9/1923	Lowden	73/333
2,333,397	11/1943	Thiemer	73/332
2,765,660	10/1956	DeHart	73/324
4,048,856	9/1977	Conrad	73/324
4,098,119	7/1978	Coats	73/323

OTHER PUBLICATIONS

Domestic Engineering, Jun. 1961, p. 78.
Primary Examiner—A. Hugo Word
Assistant Examiner—Eric Watterson
Attorney, Agent, or Firm—James F. Cottone

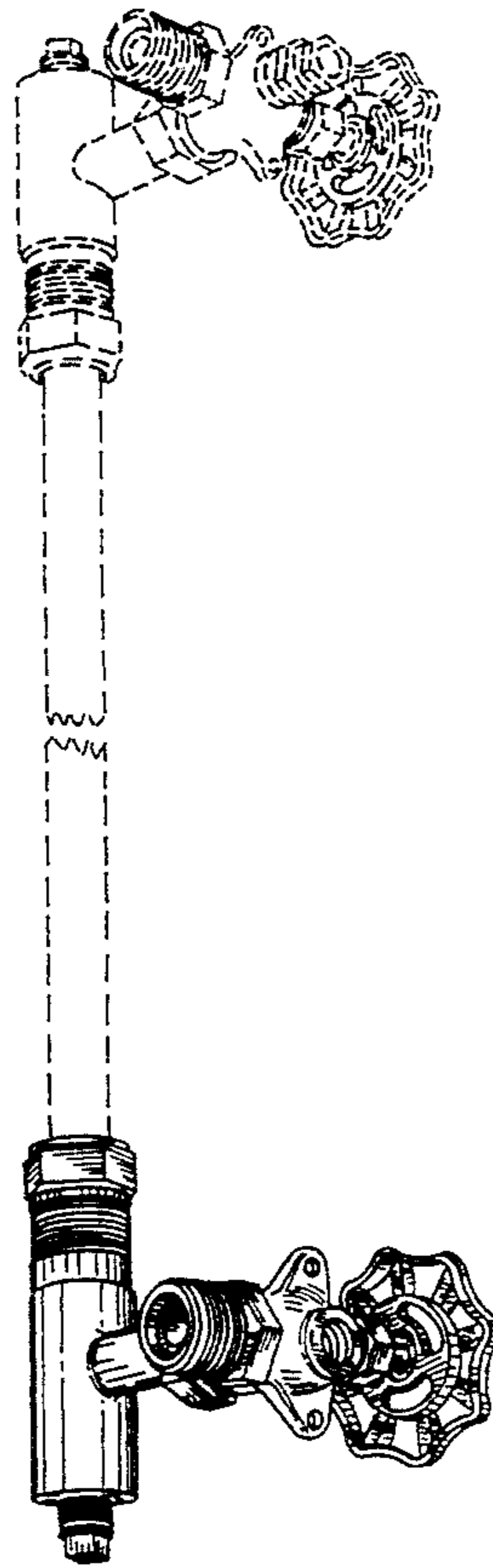
[57] CLAIM

The ornamental design for a combination gauge glass tee-connector and valve, as shown and described.

DESCRIPTION

FIG. 1 is a perspective view taken from the bottom, rear and left side of a combination gauge glass tee-connector and valve showing my new design; FIG. 2 is a front elevational view thereof; FIG. 3 is a right side elevational view thereof; FIG. 4 is a left side elevational view thereof; FIG. 5 is a rear elevational view thereof; FIG. 6 is a top plan view thereof; and, FIG. 7 is a bottom plan view thereof. The broken line representation of a liquid gauge tube, connector, and valve in FIG. 1 is for purposes of illustration only and forms no part of the claimed design.

- [56] **References Cited**
- U.S. PATENT DOCUMENTS**
- D. 223,776 6/1972 Gruett D10/101
- D. 240,131 6/1976 Dwyer D23/263
- D. 251,011 2/1979 Krechel et al. D23/01
- D. 275,233 8/1984 DeVroom D24/53
- D. 283,805 5/1986 Waters D10/101 X
- D. 293,655 1/1988 Phillips et al. D10/101 X
- D. 335,829 5/1993 Bertani D10/101
- 662,732 11/1900 McLeish 73/333
- 701,516 6/1902 Shallow 73/333
- 1,250,321 12/1917 Kitts, Sr. 73/333
- 1,253,727 1/1918 Robinson 73/333
- 1,307,225 6/1919 West 73/332
- 1,339,383 5/1920 Beese 73/333



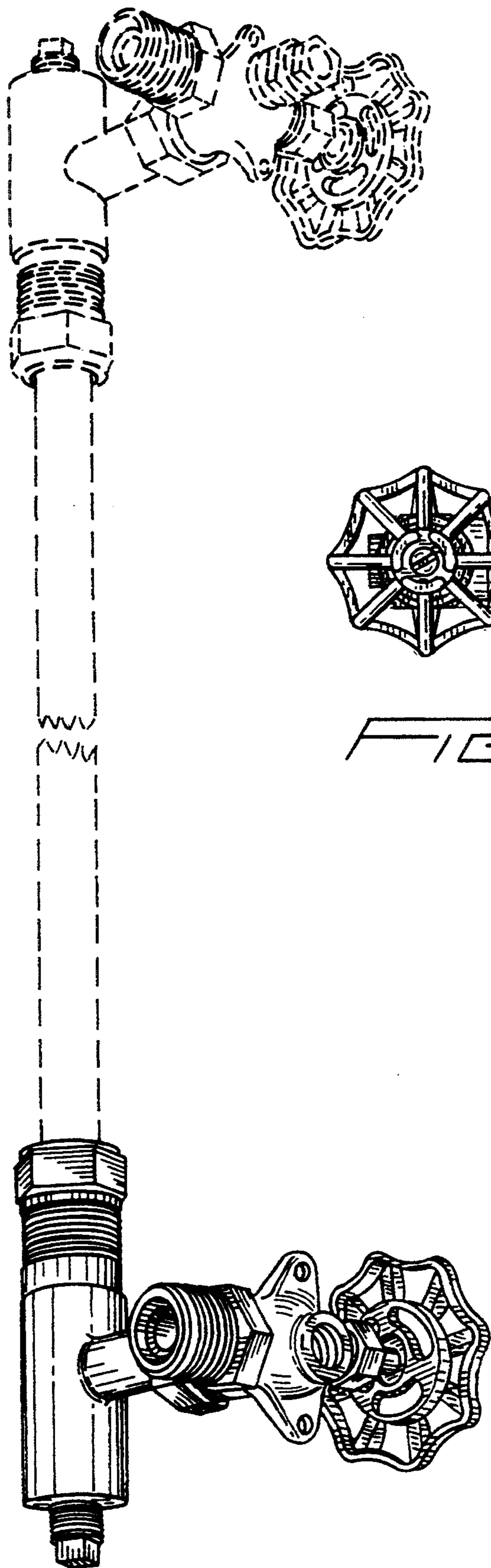


FIG. 1

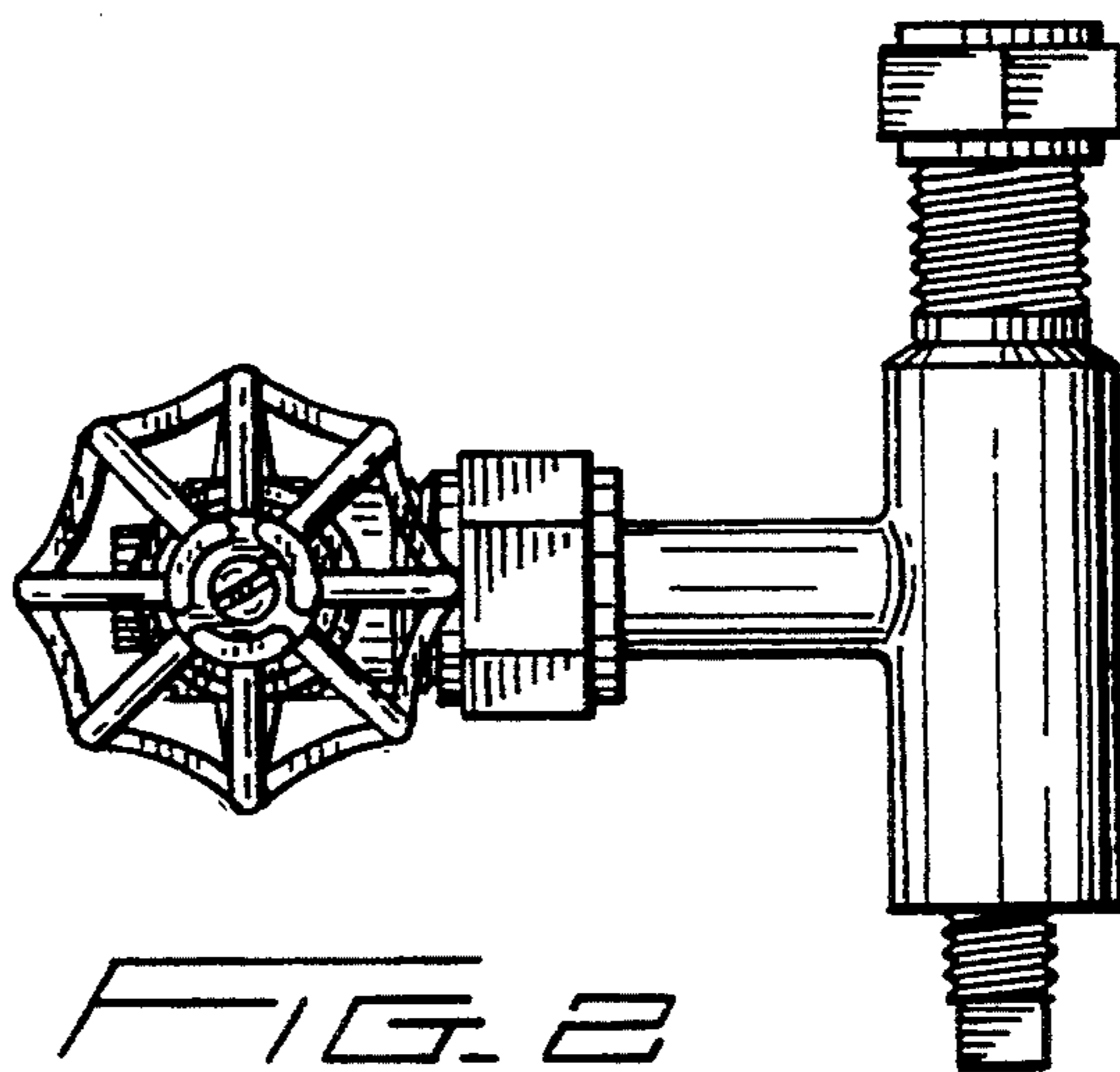


FIG. 2

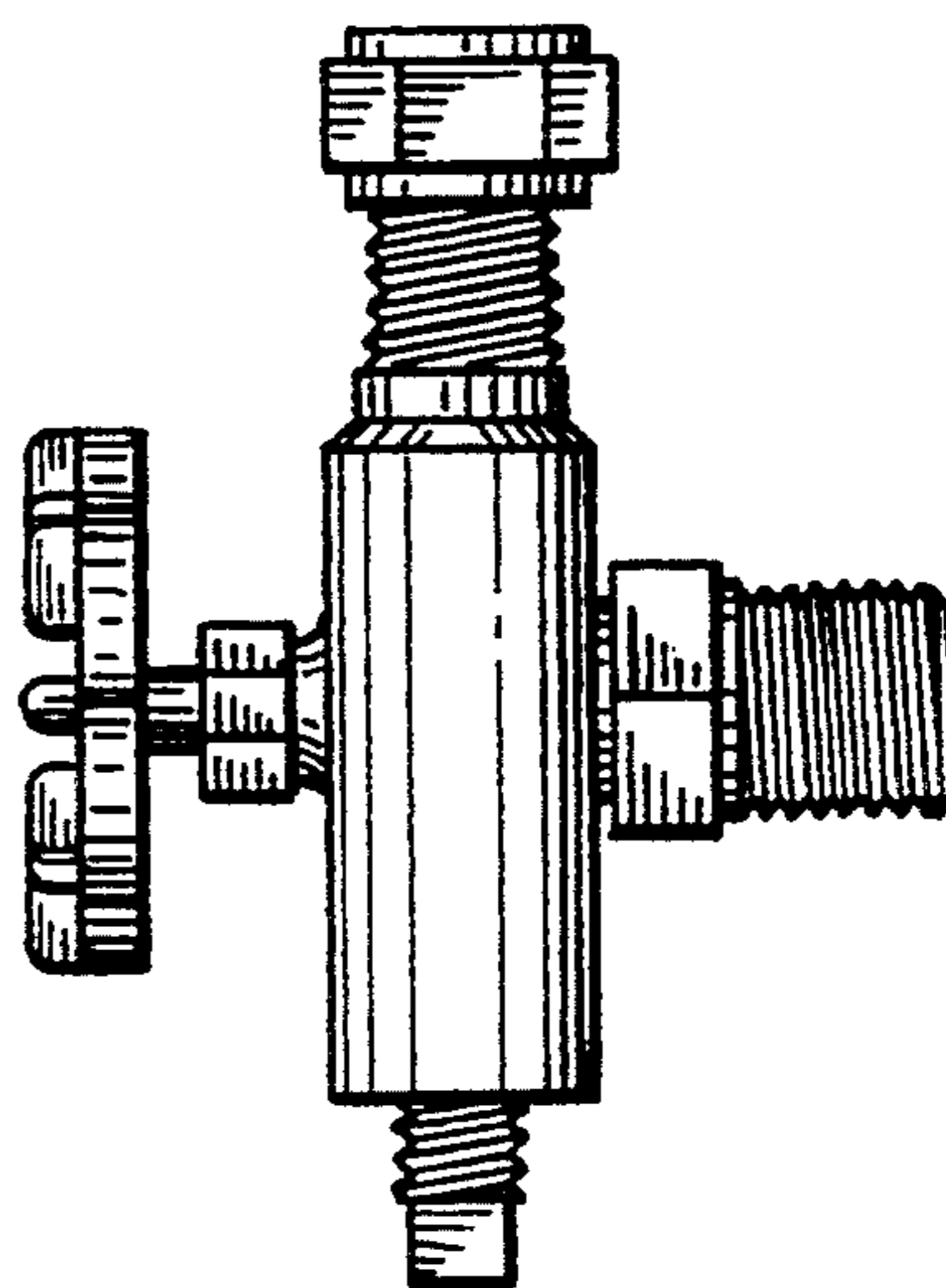


FIG. 3

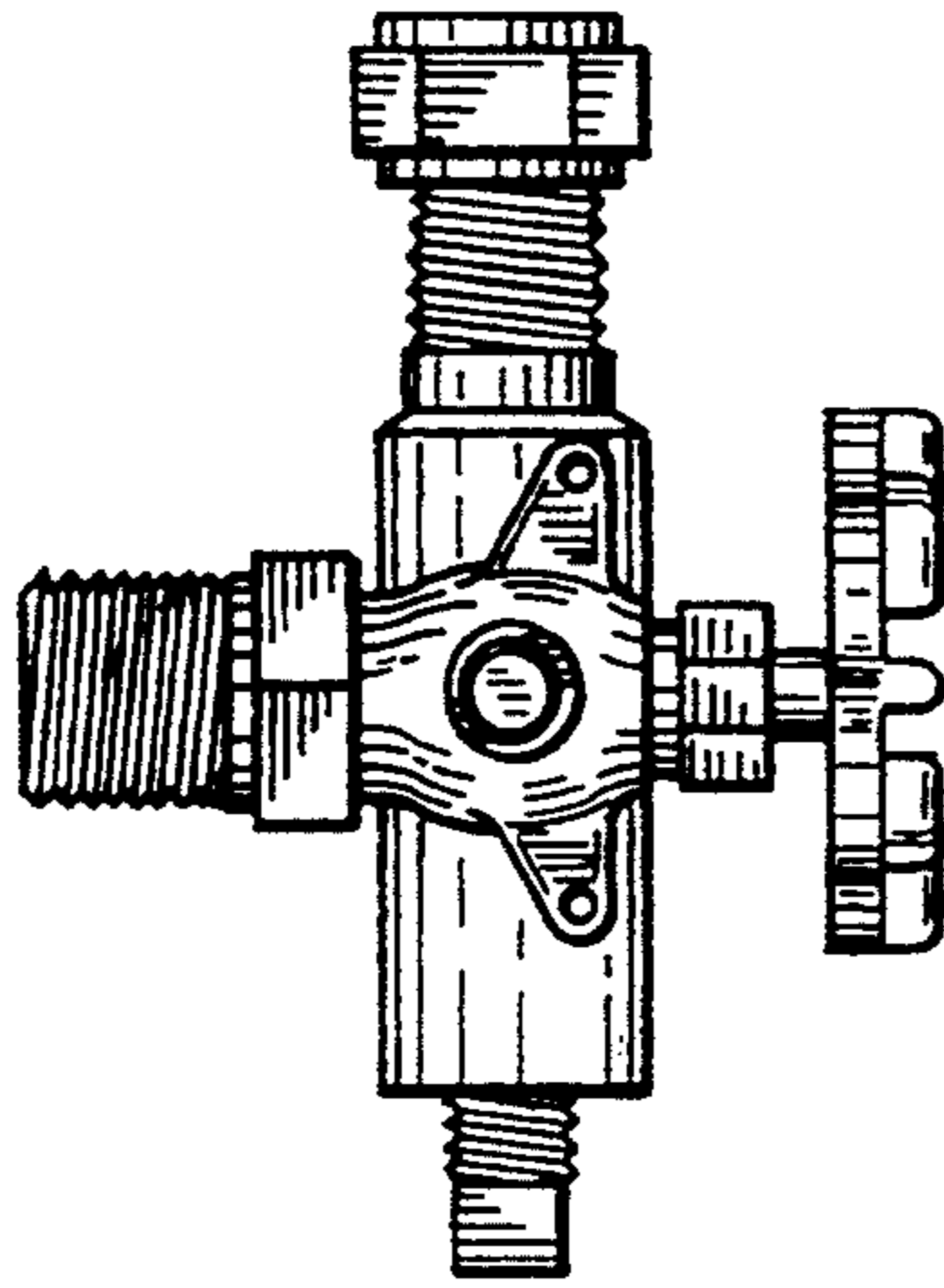


FIG. 4

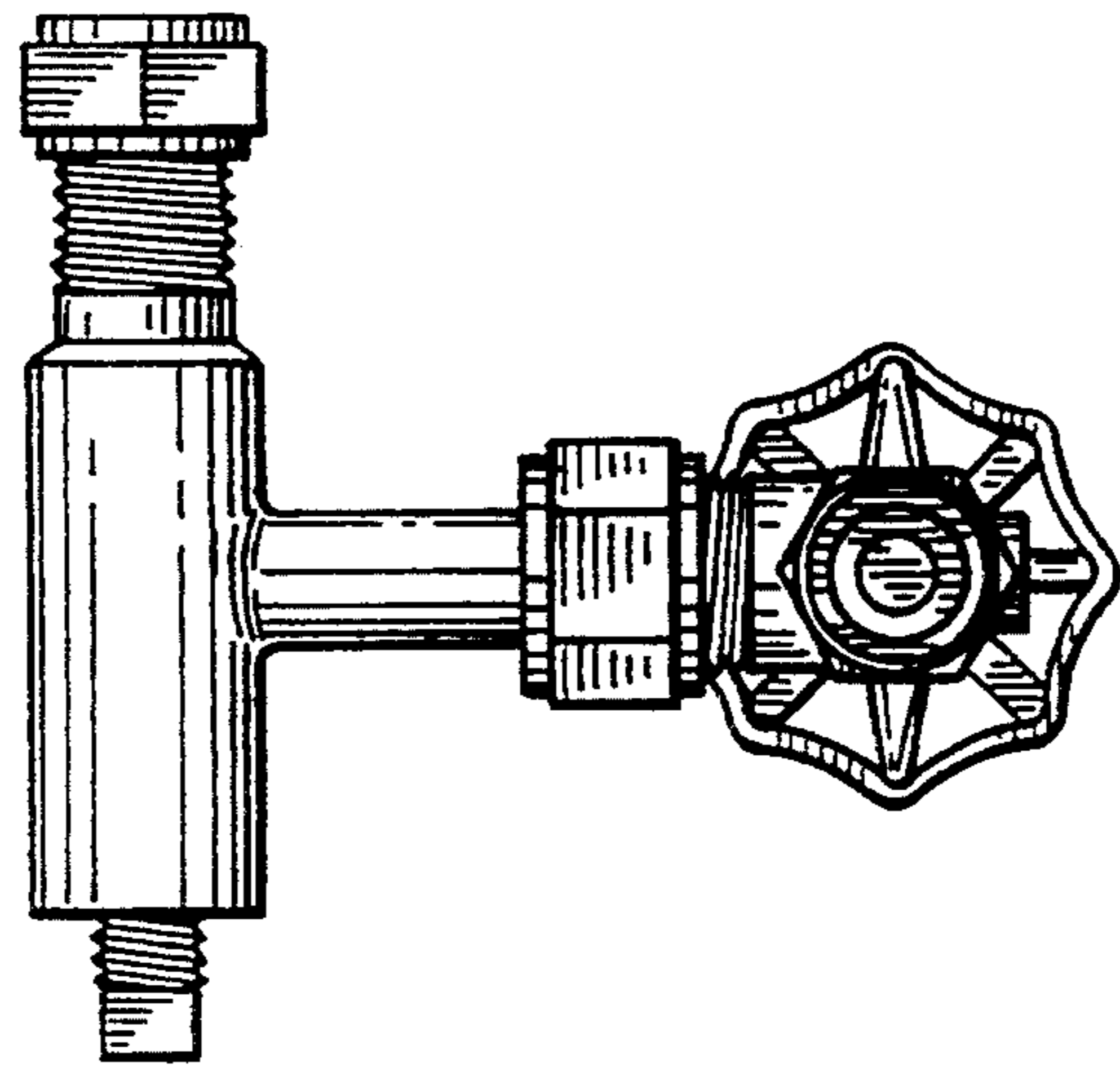


FIG. 5

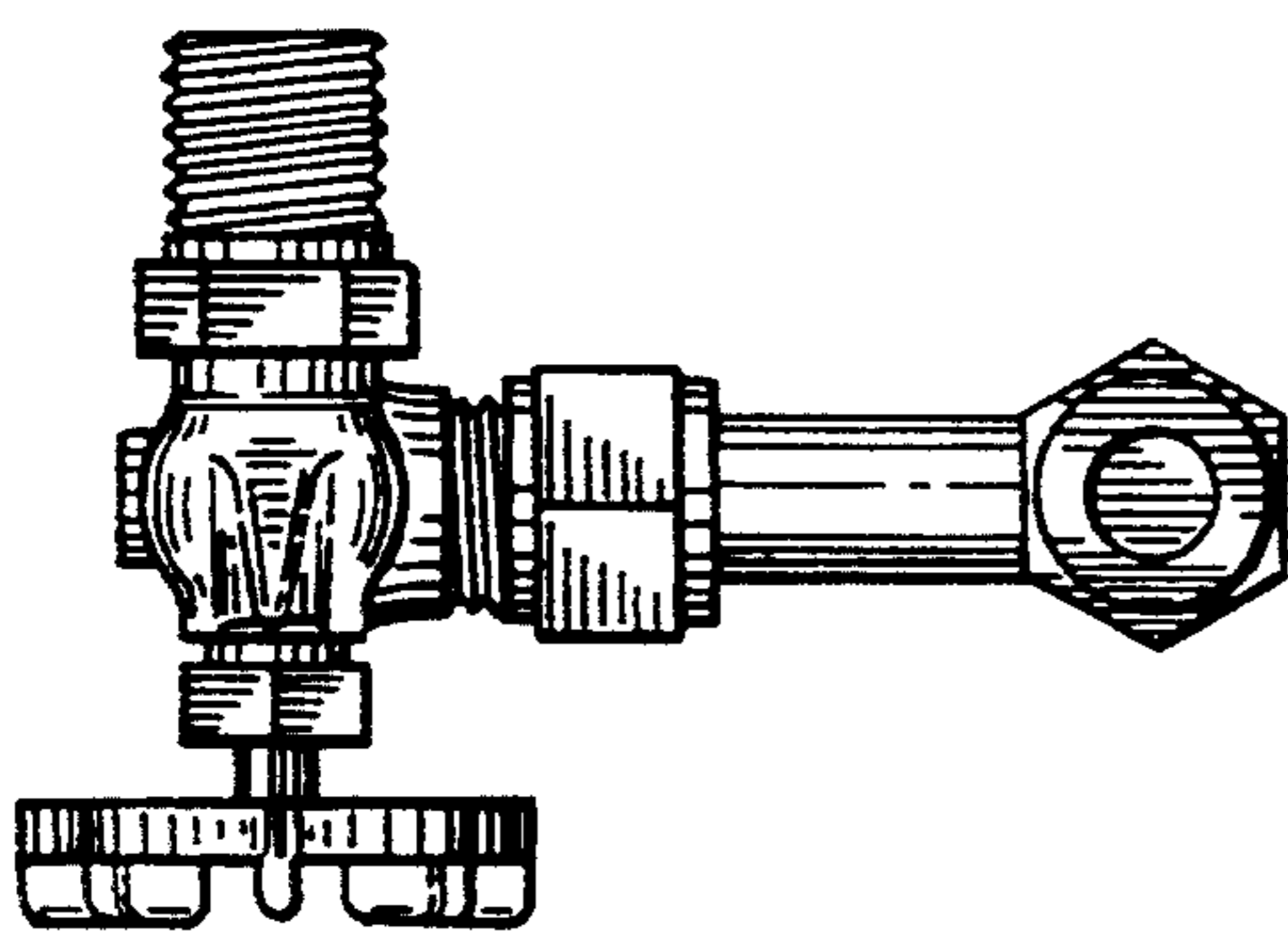


FIG. 6

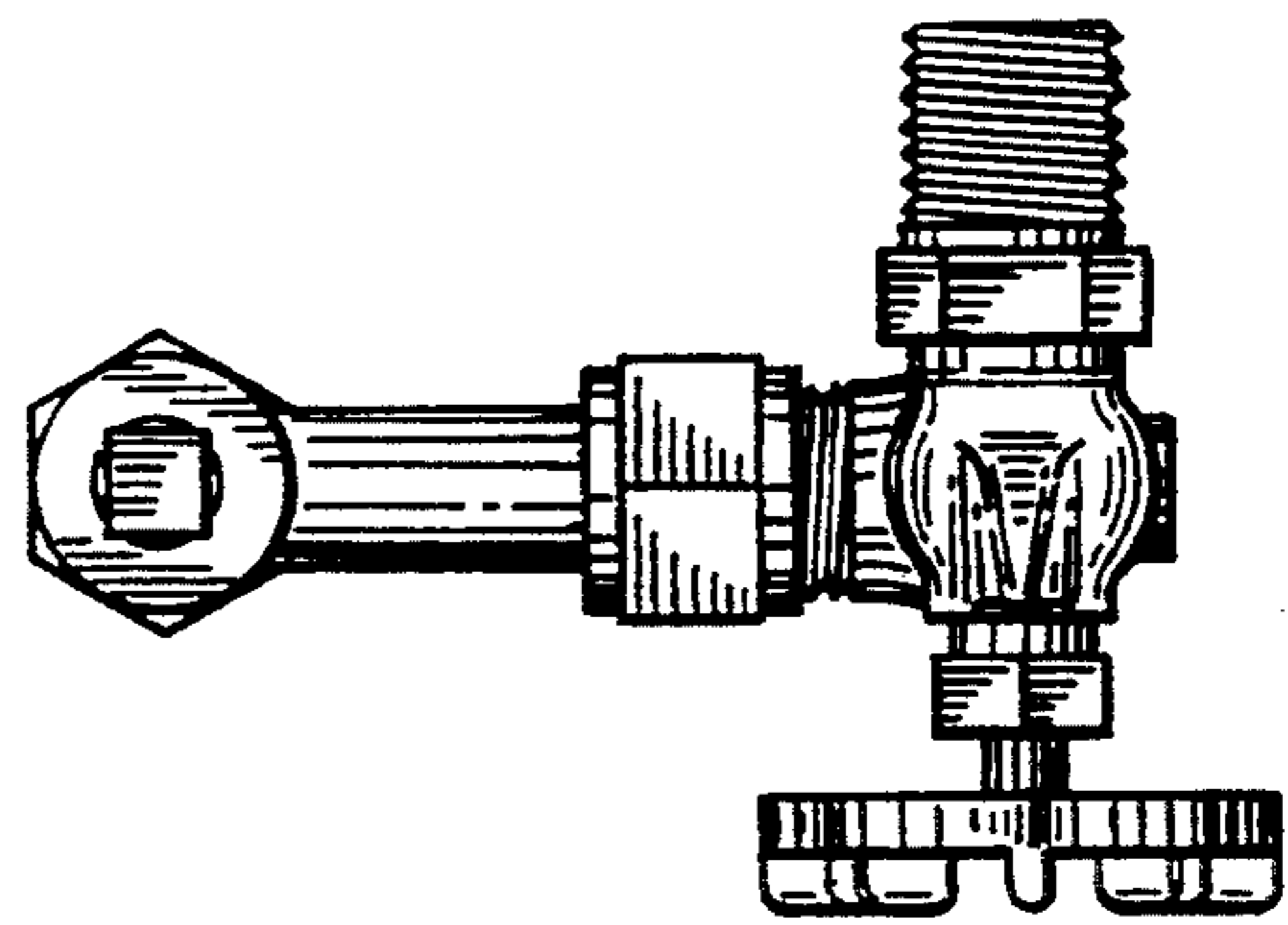


FIG. 7