



US00D359244S

United States Patent [19]

Perkins et al.

[11] Patent Number: **Des. 359,244**

[45] Date of Patent: **** Jun. 13, 1995**

[54] THERMOSTAT COVER

4,374,541 2/1983 Hoberman D10/60 X
5,181,653 1/1993 Foster et al. 236/46 R X

[75] Inventors: **Nancy J. Perkins**, Chicago; **Michael Lynn**, Green Oaks, both of Ill.; **Alan Morris**, Matthews, N.C.

Primary Examiner—Antoine Duval Davis
Attorney, Agent, or Firm—Greer, Burns & Crain, Ltd.

[73] Assignee: **Landis & Gyr Powers, Inc.**, Buffalo Grove, Ill.

[57] **CLAIM**

The ornamental design for a thermostat cover, as shown and described.

[**] Term: **14 Years**

DESCRIPTION

[21] Appl. No.: **22,026**

FIG. 1 is a front perspective elevational view of the thermostat cover of the invention;
FIG. 2 is a front elevational view of the thermostat cover of FIG. 1;
FIG. 3 is a right side elevational view of the present thermostat cover;
FIG. 4 is a left side elevational view of the present thermostat cover;
FIG. 5 is a top plan view of the thermostat cover of FIG. 1; and,
FIG. 6 is a bottom plan view of our thermostat cover. The rear elevational view being plain and unornamented.

[22] Filed: **Apr. 28, 1994**

[52] U.S. Cl. **D10/50; D10/49**

[58] Field of Search D10/49, 50, 51, 60; 165/11.1, 12, 26, 27, 29; 174/5 R, 138 F; 361/622; 392/441, 449; 236/245, 25 A, 32-44 E, 46 R, 46 G, 47, 50, 91 R-91 F, 1 C, 34.5

[56] **References Cited**

U.S. PATENT DOCUMENTS

D. 301,207 5/1989 Wereley et al. D10/50
4,264,034 4/1981 Hyltin et al. D10/60 X

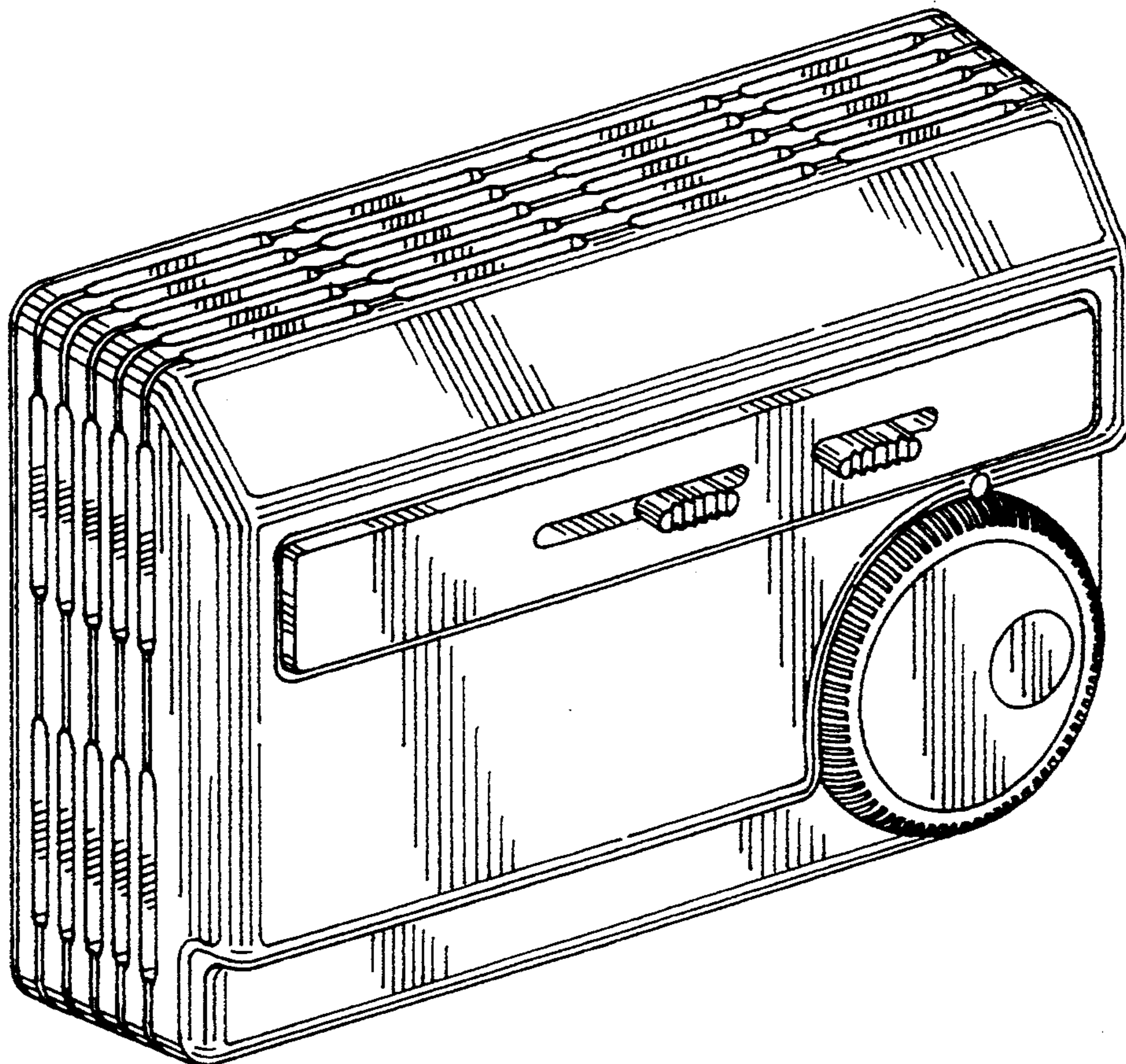


FIG. 1

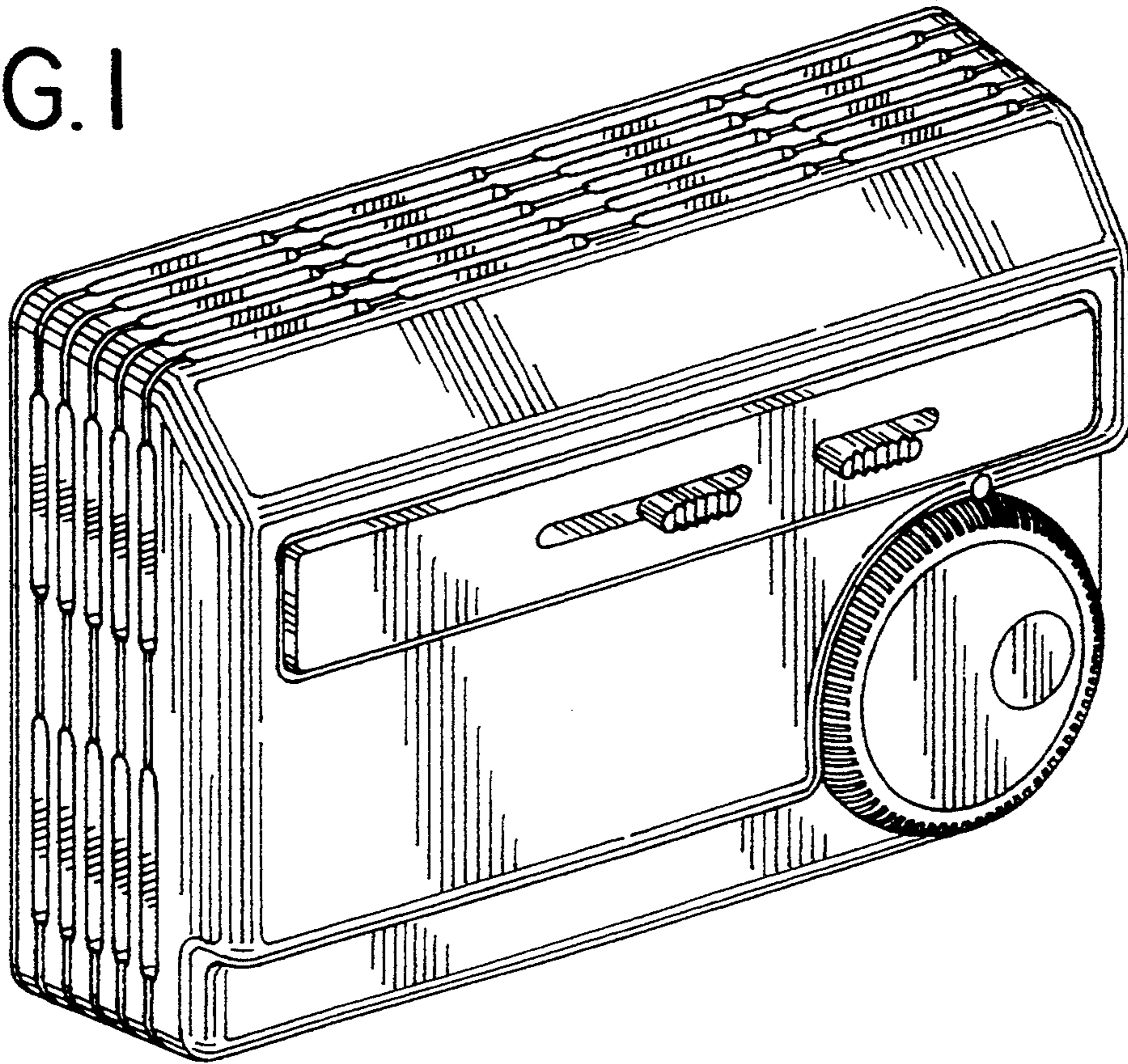


FIG. 2

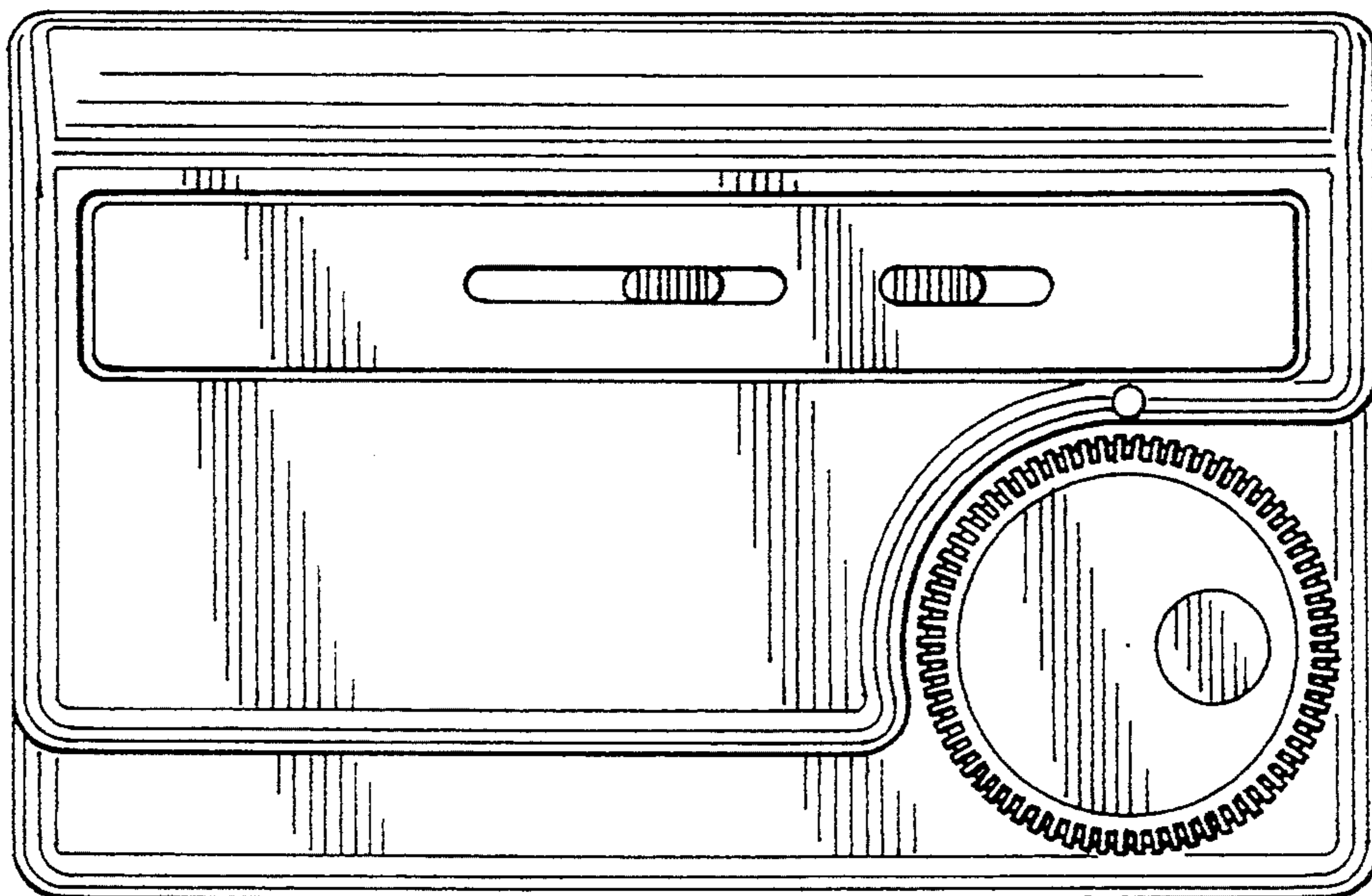


FIG.3

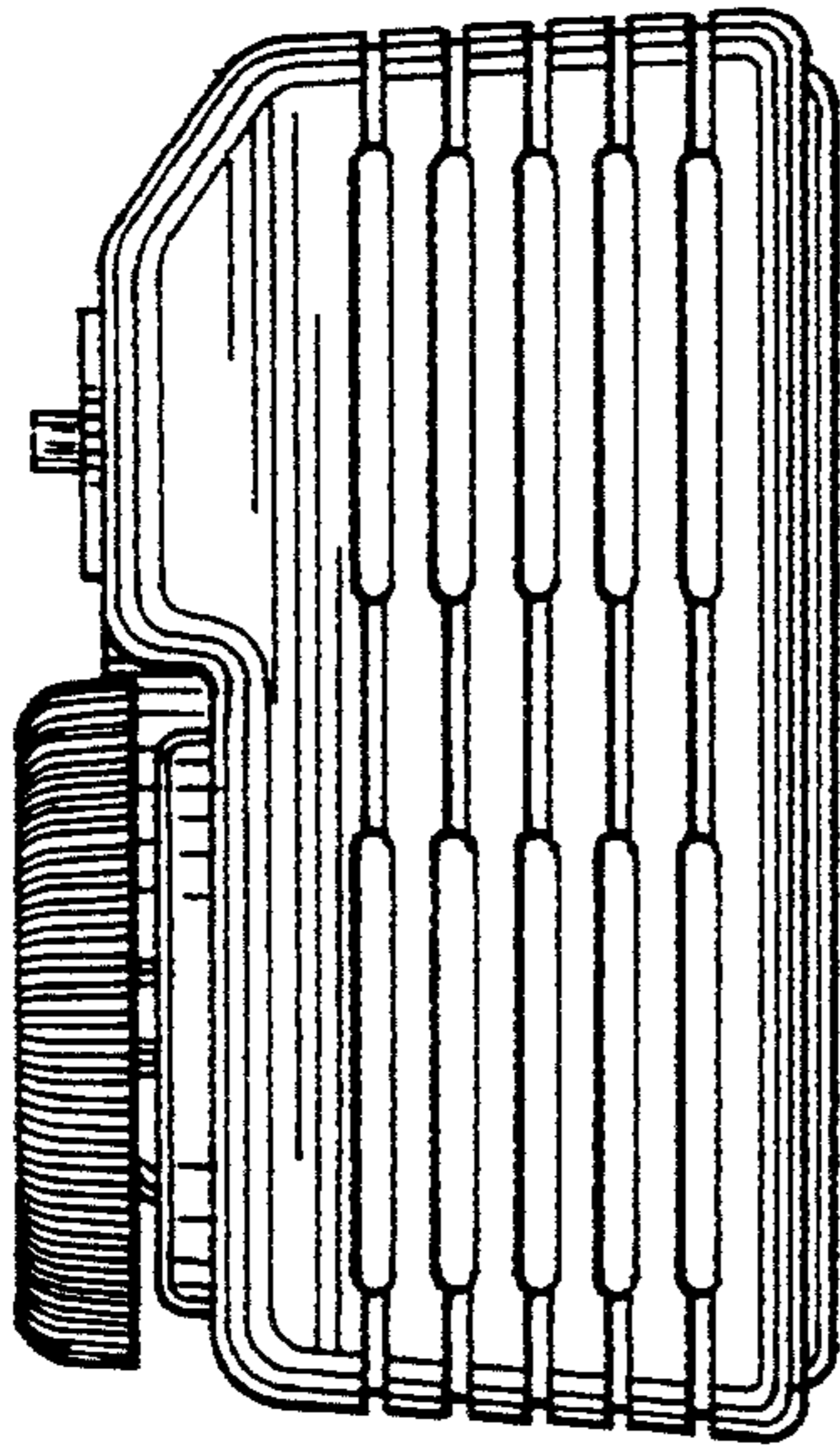


FIG.4

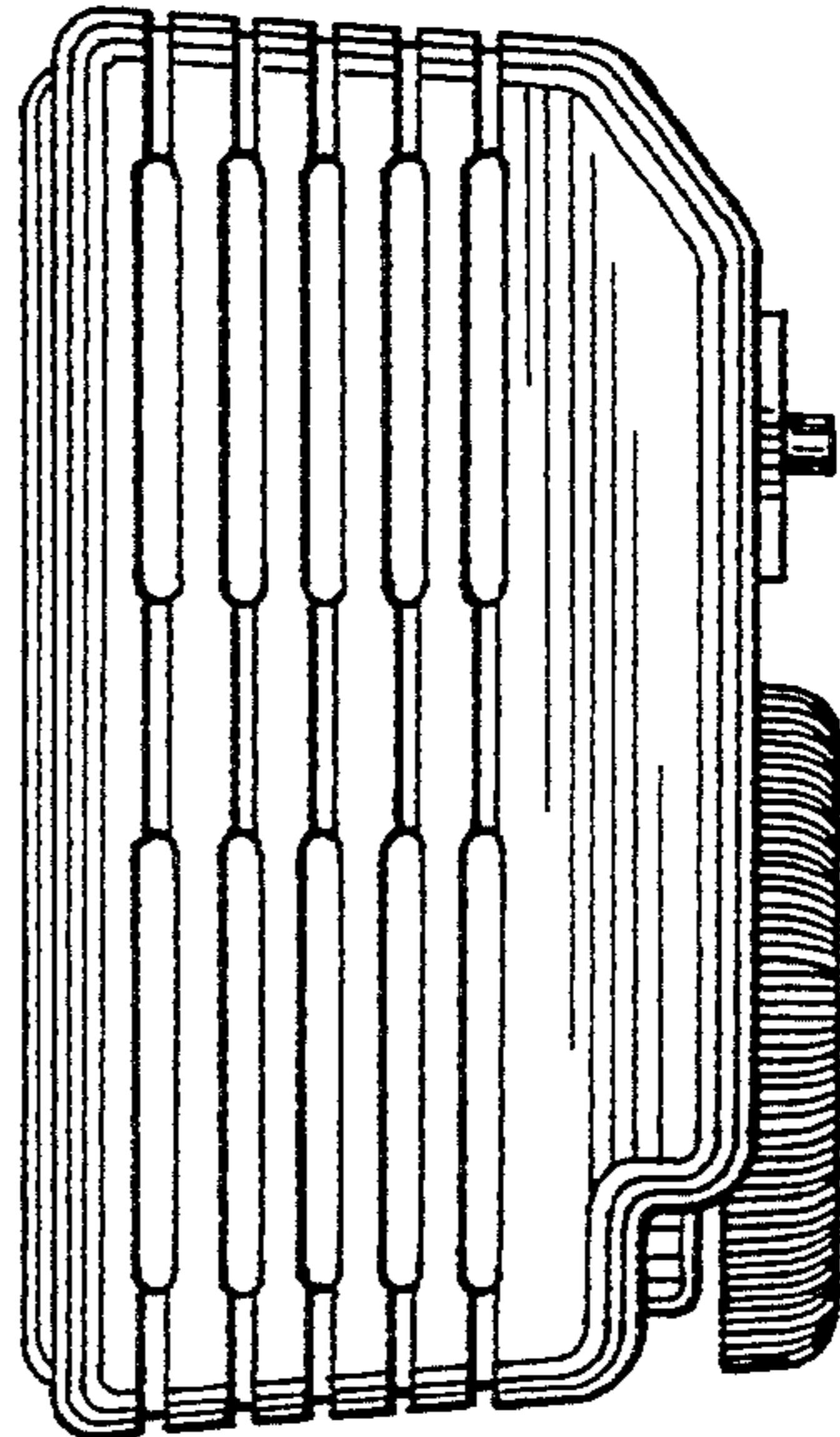


FIG.5

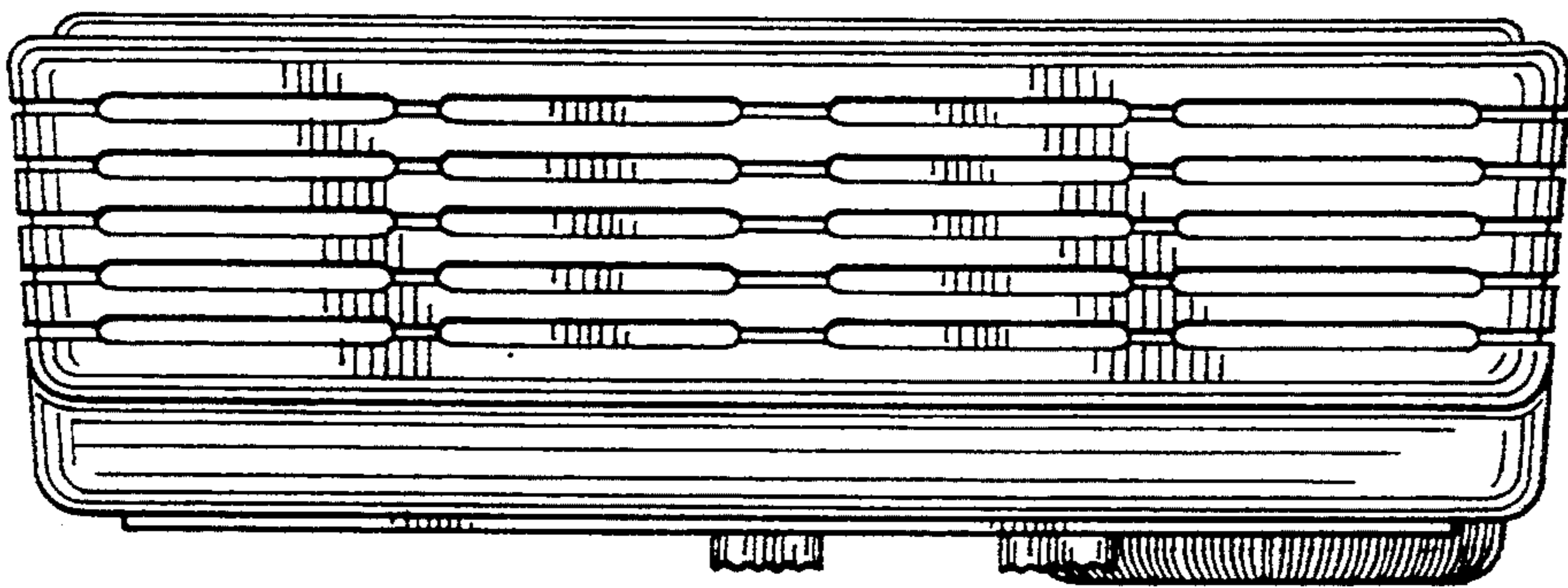


FIG.6

