



US00D359241S

United States Patent [19] Ling

[11] Patent Number: **Des. 359,241**
[45] Date of Patent: **** Jun. 13, 1995**

[54] **ROUND ANALOG CLOCK**

[75] Inventor: **Wong L. Ling**, Shatin, Hong Kong

[73] Assignee: **Ballanda Limited**, Kwai Chung, Hong Kong

[**] Term: **14 Years**

[21] Appl. No.: **13,823**

[22] Filed: **Oct. 4, 1993**

[52] U.S. Cl. **D10/18; D10/23**

[58] Field of Search **D10/1-40, D10/122-132; 368/97-100, 107-121, 276-277, 285, 316, 317**

[56] **References Cited**

U.S. PATENT DOCUMENTS

- D. 309,572 7/1990 Suzuki D10/18
- D. 318,019 7/1991 van Lelyveld D10/18
- D. 321,662 11/1991 Wada D10/18
- D. 321,663 11/1991 Tanaka D10/18

FOREIGN PATENT DOCUMENTS

- 120031 7/1927 Switzerland 368/316

OTHER PUBLICATIONS

Hong Kong Enterprise—Jul. 1988—p. 165—clocks at top left.

Hong Kong Enterprise—Jul. 1988—p. 307—clock at bottom left.

Primary Examiner—Nelson C. Holtje
Attorney, Agent, or Firm—Beveridge, DeGrandi, Weilacher & Young

[57] **CLAIM**

The ornamental design for a round analog clock, as shown and described.

DESCRIPTION

FIG. 1 is a front elevational view of a round analog clock showing my new design;
 FIG. 2 is a back elevational view thereof;
 FIG. 3 is a left side elevational view thereof;
 FIG. 4 is a right side elevational view thereof;
 FIG. 5 is a top elevational view thereof;
 FIG. 6 is a bottom elevational view thereof;
 FIG. 7 is a front elevational view thereof, with lid being in a covered position;
 FIG. 8 is a top elevational view thereof, with lid being in a covered position; and,
 FIG. 9 is a right side elevational view thereof, the with being in a covered position.

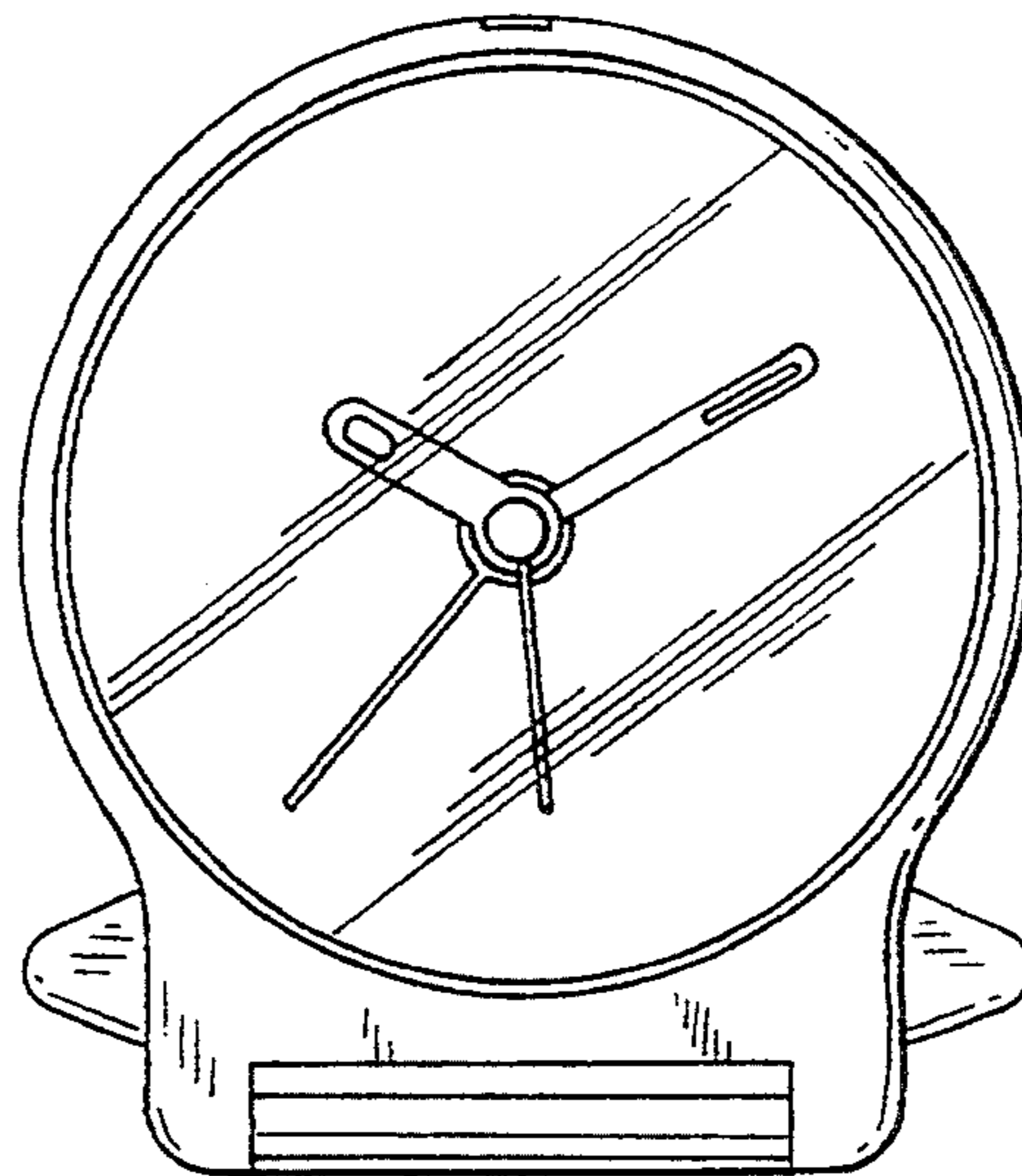


FIG. 1

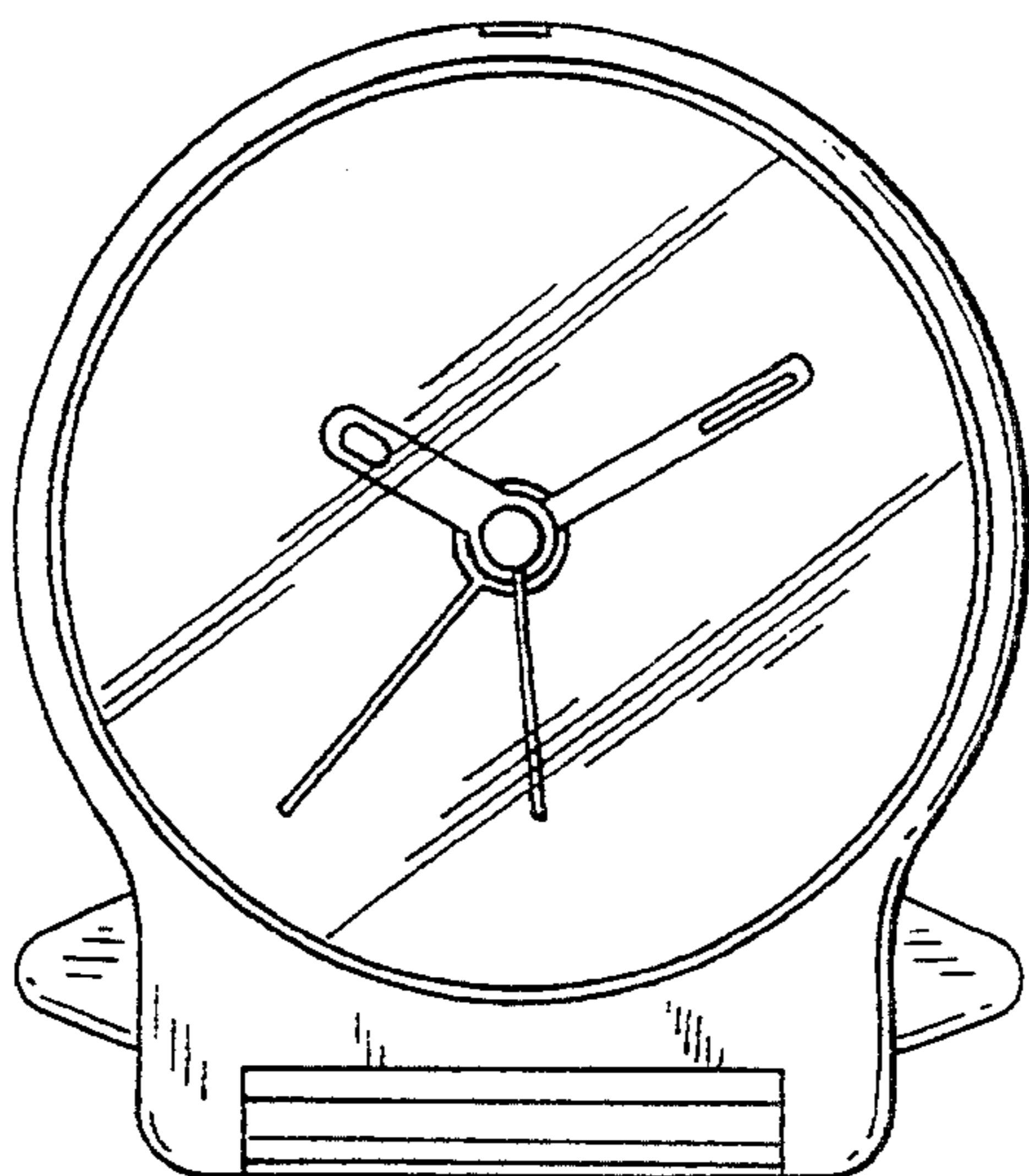


FIG. 2

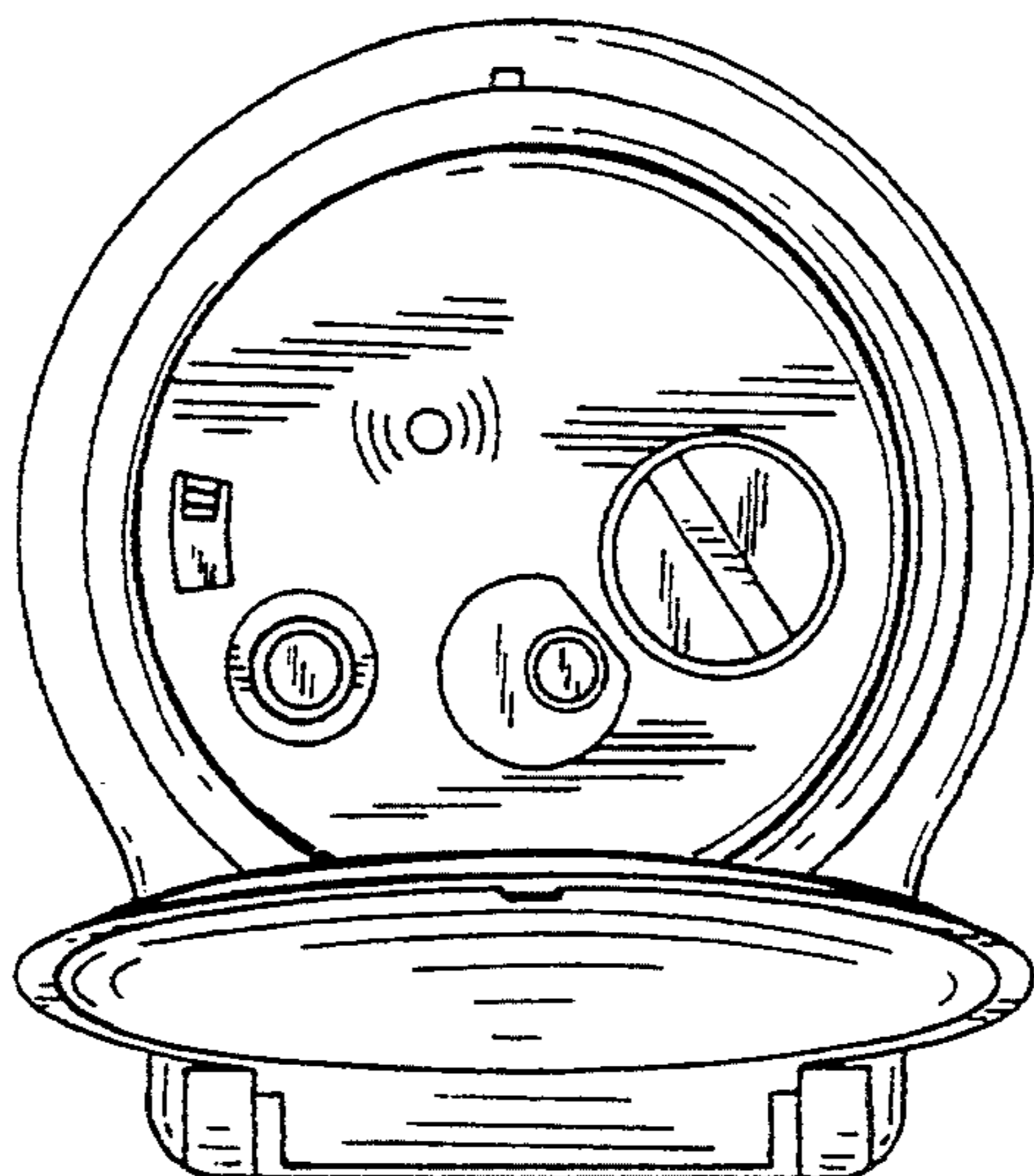


FIG. 3

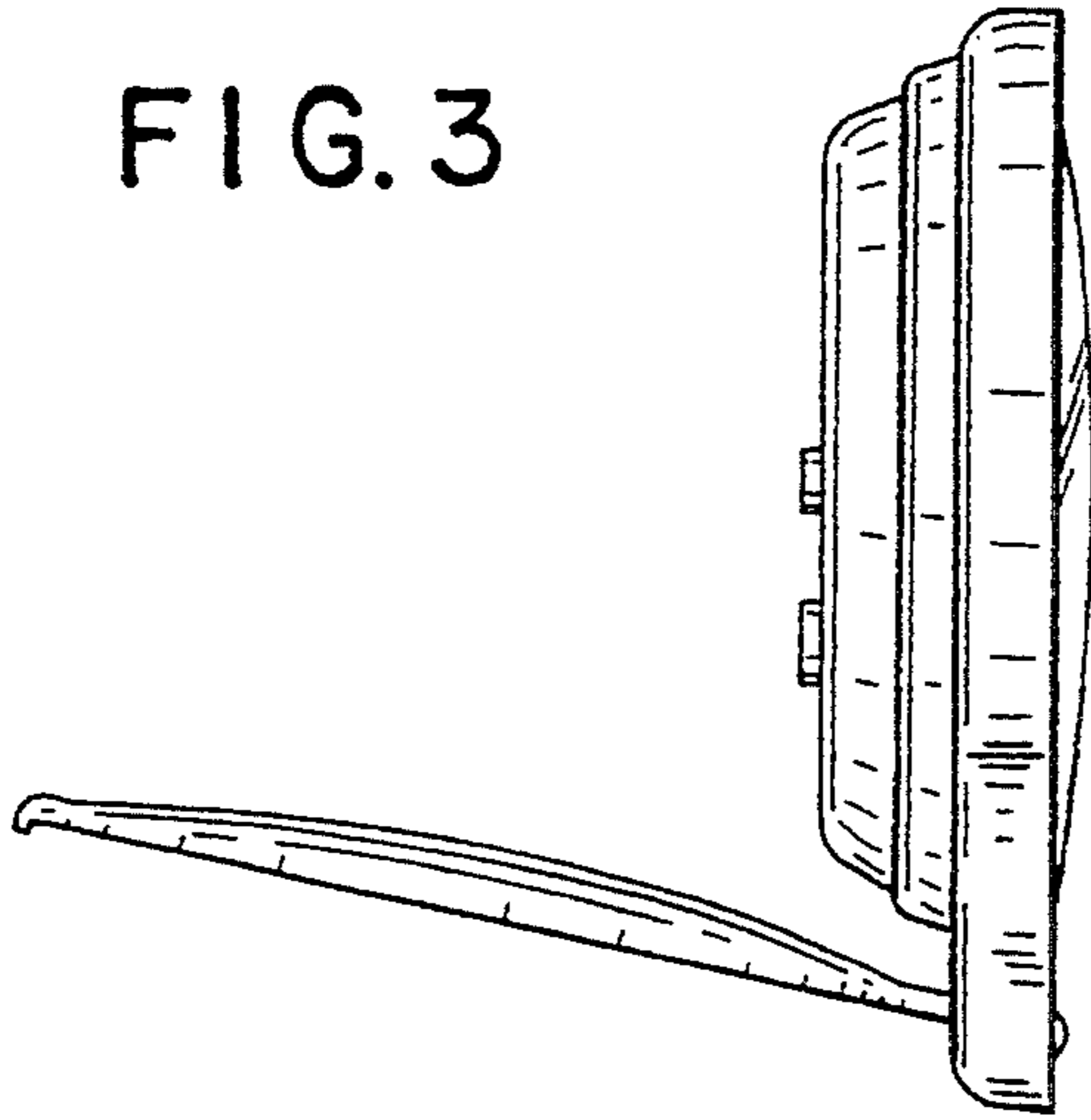


FIG. 4

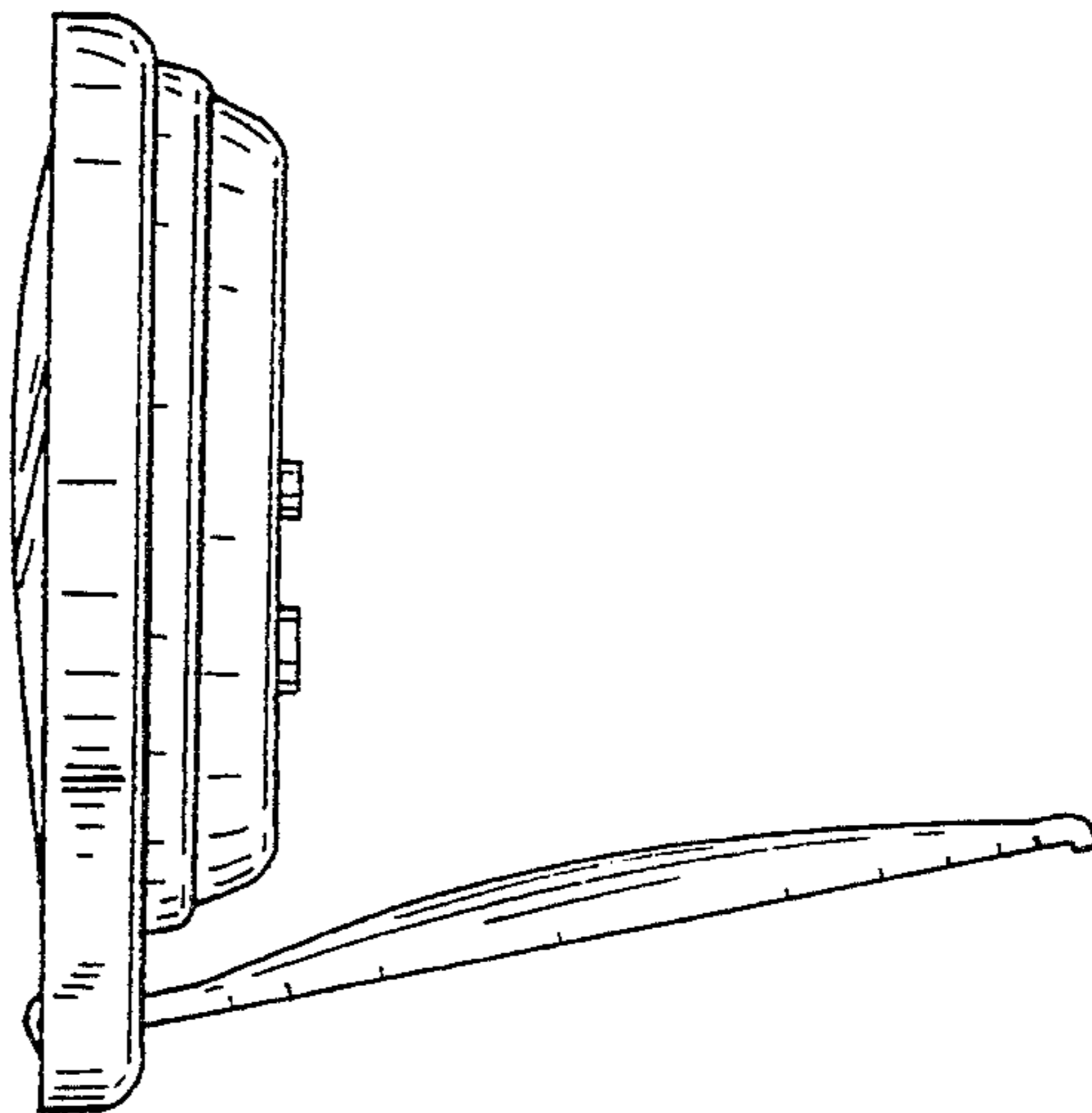


FIG. 5

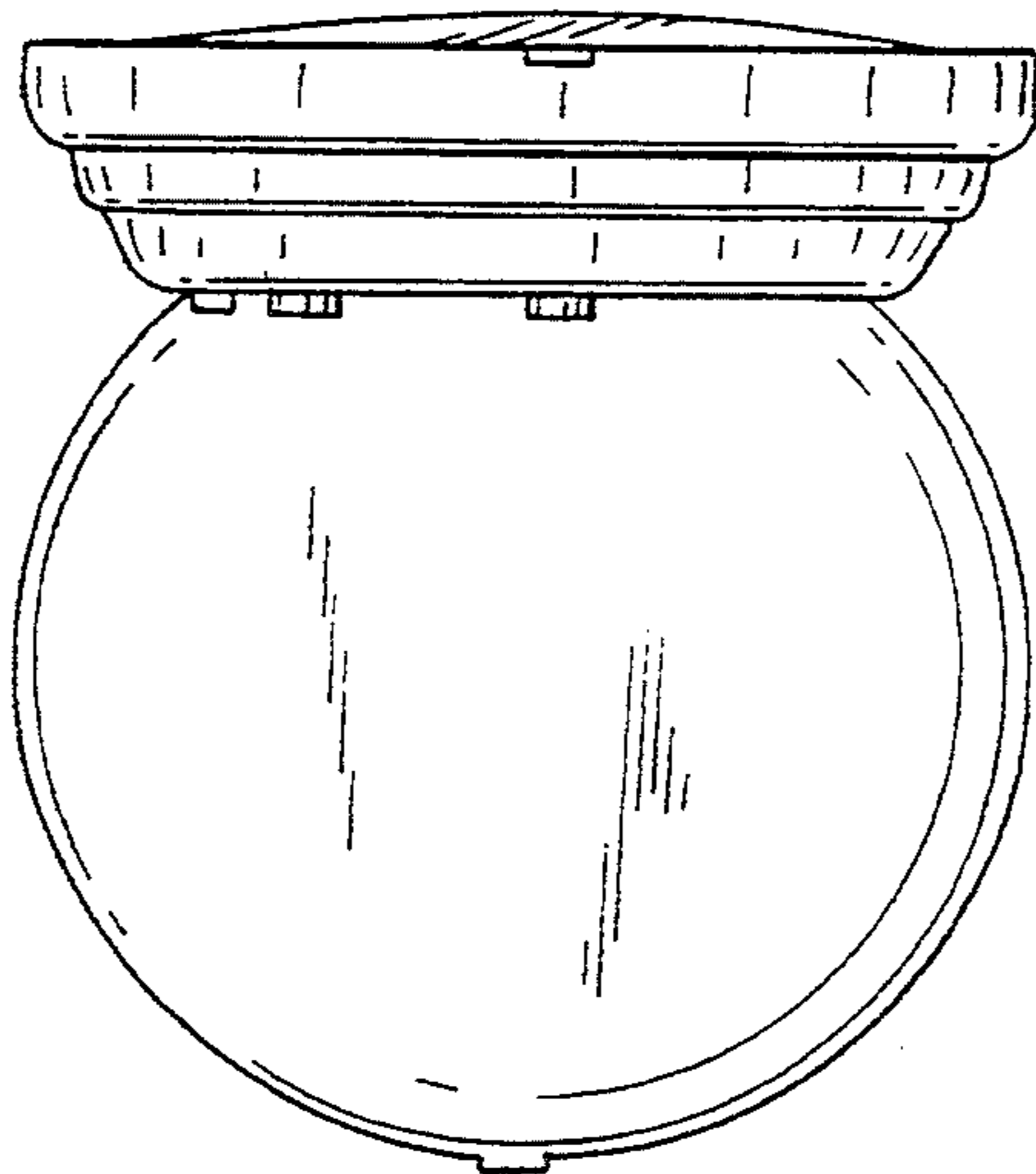


FIG. 6

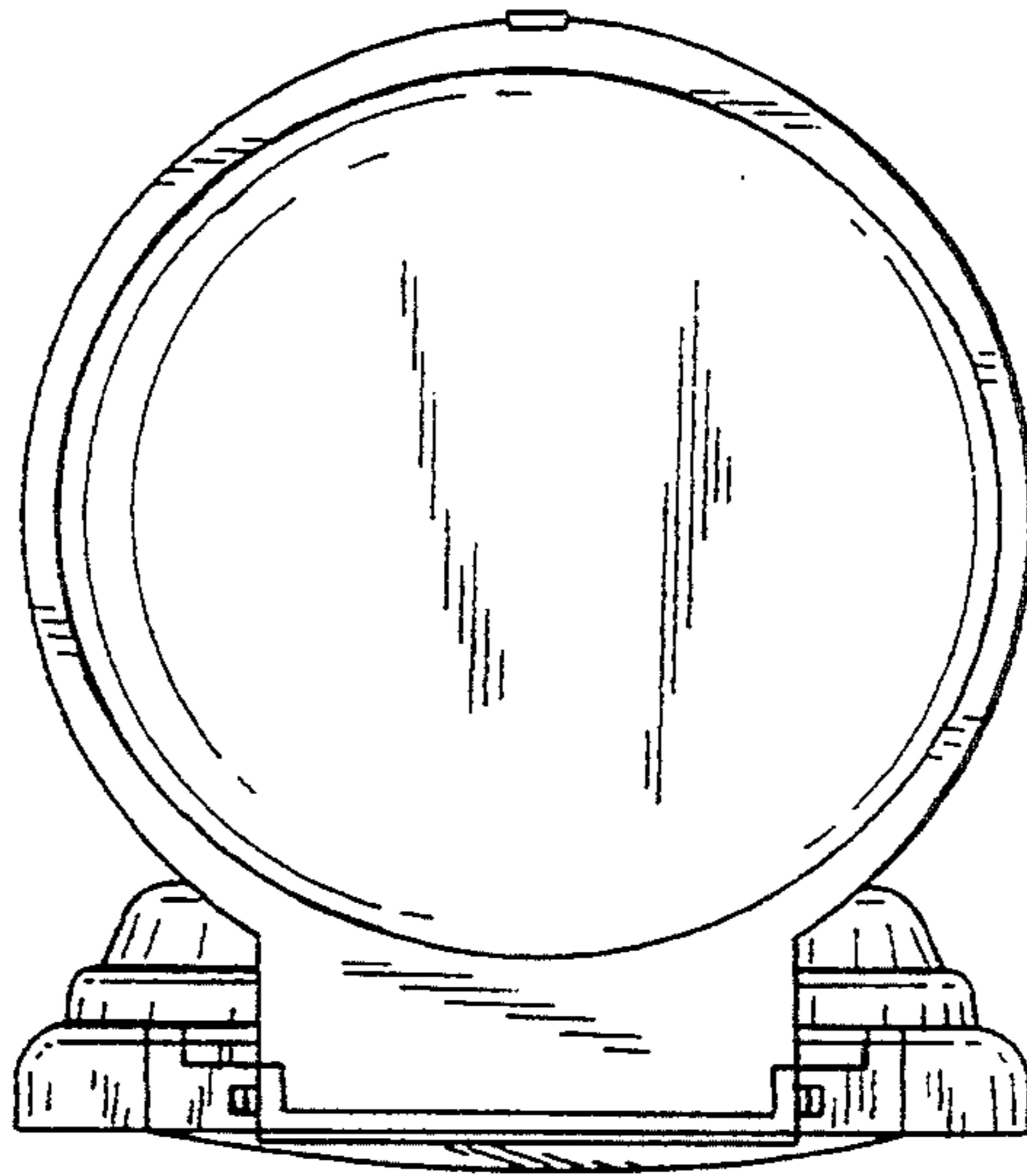


FIG. 7

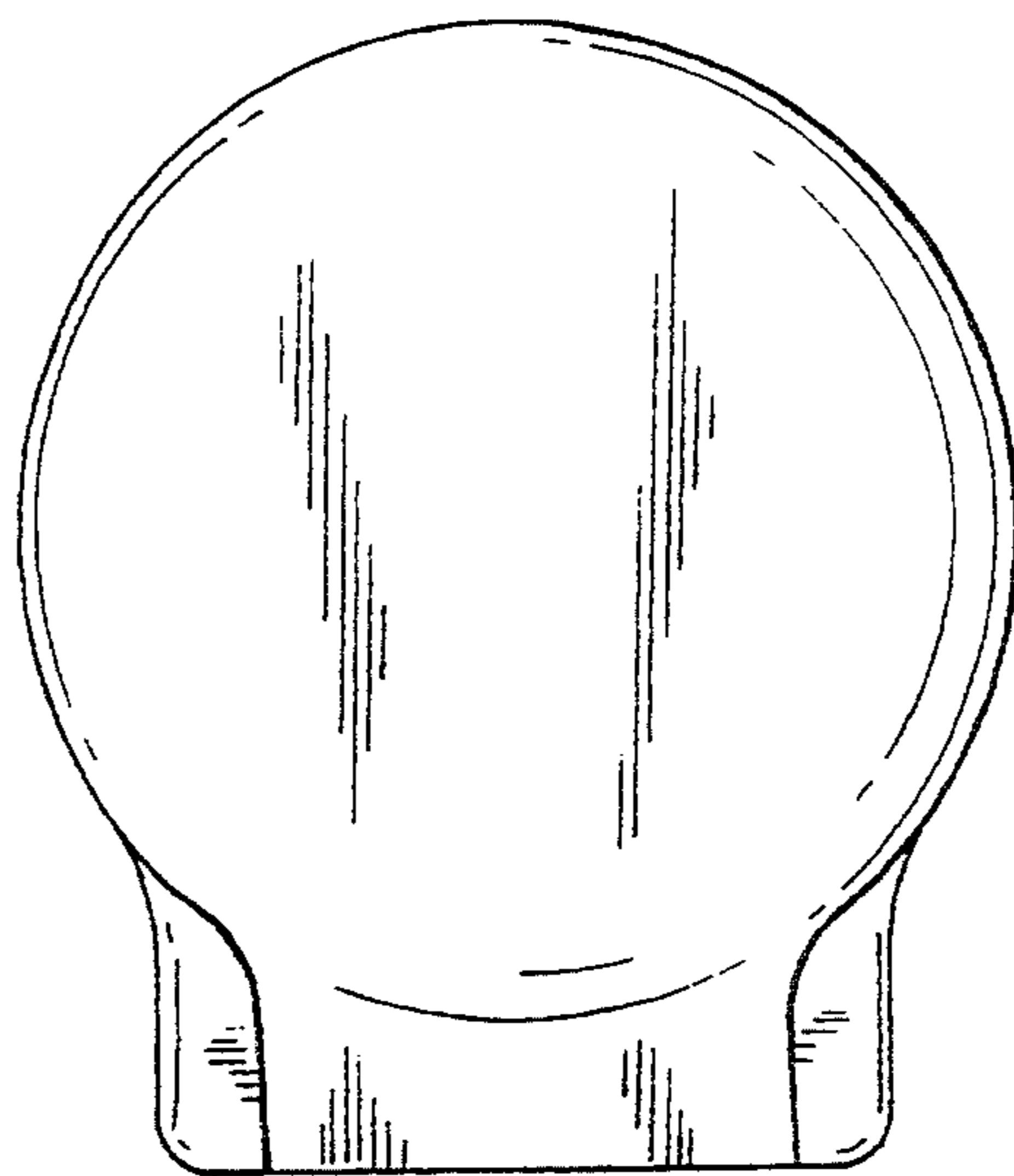


FIG. 8

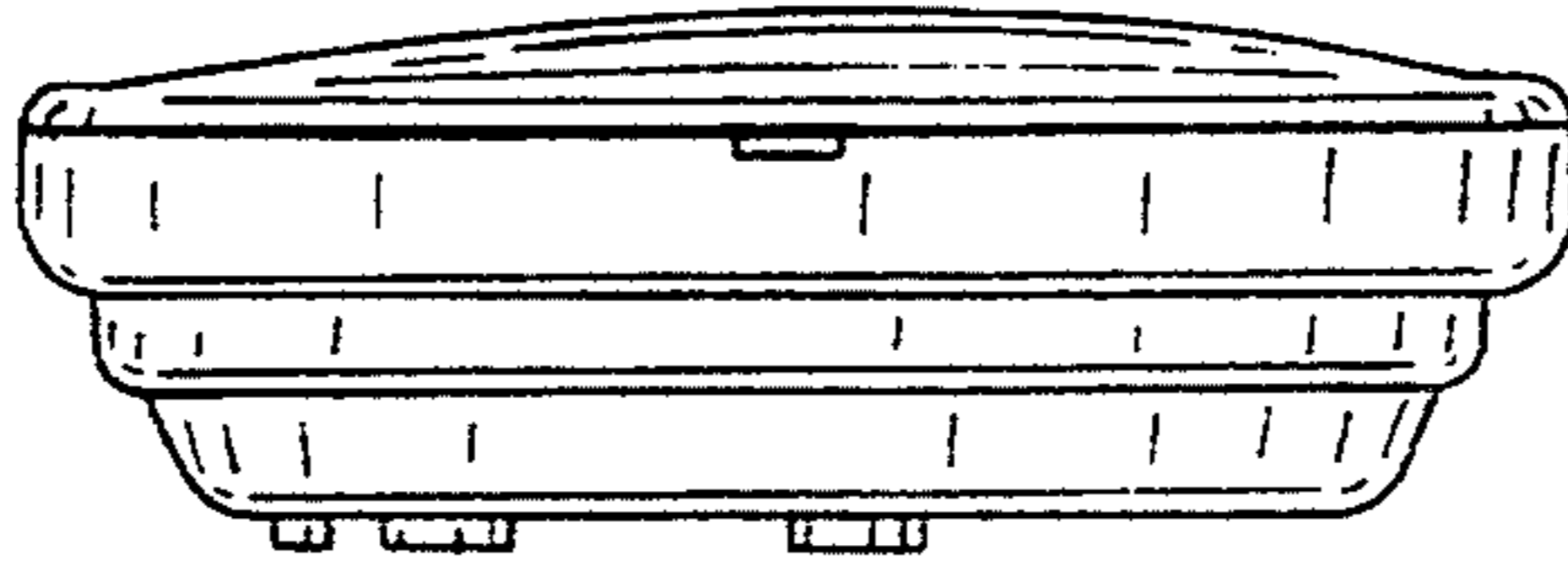


FIG. 9

