



US00D359240S

United States Patent [19] Benton

[11] Patent Number: **Des. 359,240**
[45] Date of Patent: **** Jun. 13, 1995**

[54] **CLOCK**
[75] Inventor: **Michael Benton**, Broken Arrow, Okla.
[73] Assignee: **Selco Industries Corporation**, Tulsa, Okla.
[**] Term: **14 Years**
[21] Appl. No.: **19,689**
[22] Filed: **Mar. 9, 1994**
[52] U.S. Cl. **D10/4; D10/2; D10/53**
[58] Field of Search **D10/1-40, D10/52, 53, 122-132; 368/276-277, 285, 316-317, 10, 11**

D. 192,480 3/1962 Lowe D10/53
D. 197,617 3/1964 Shanok et al. .
D. 213,800 4/1969 Bieger .
D. 222,378 11/1971 Berkoff .
D. 321,660 11/1991 Aikawa .
4,322,835 3/1982 Ernst et al. .

Primary Examiner—Nelson C. Holtje
Attorney, Agent, or Firm—Sixbey, Friedman, Leedom & Ferguson

[57] CLAIM

The ornamental design for a clock, as shown and described.

DESCRIPTION

FIG. 1 is a perspective view of the clock of the present invention;
FIG. 2 is a front elevational view of the clock of FIG. 1;
FIG. 3 is a rear elevational view of the clock of FIG. 1;
FIG. 4 is a top plan view of the clock of FIG. 1;
FIG. 5 is a bottom plan view of the clock of FIG. 1;
FIG. 6 is a left, side elevational view of the clock of FIG. 1; and,
FIG. 7 is a right, side elevational view of the clock of FIG. 1.

[56] References Cited U.S. PATENT DOCUMENTS

D. 99,090 3/1936 Kuehn D10/4
D. 100,362 7/1936 Brown D10/53
D. 127,303 5/1941 MacCowan D10/53
D. 150,663 12/1947 VanDyck .
D. 150,832 11/1947 Fenenbock .
D. 160,077 9/1950 Eaves .
D. 187,714 4/1960 Taylor D10/53

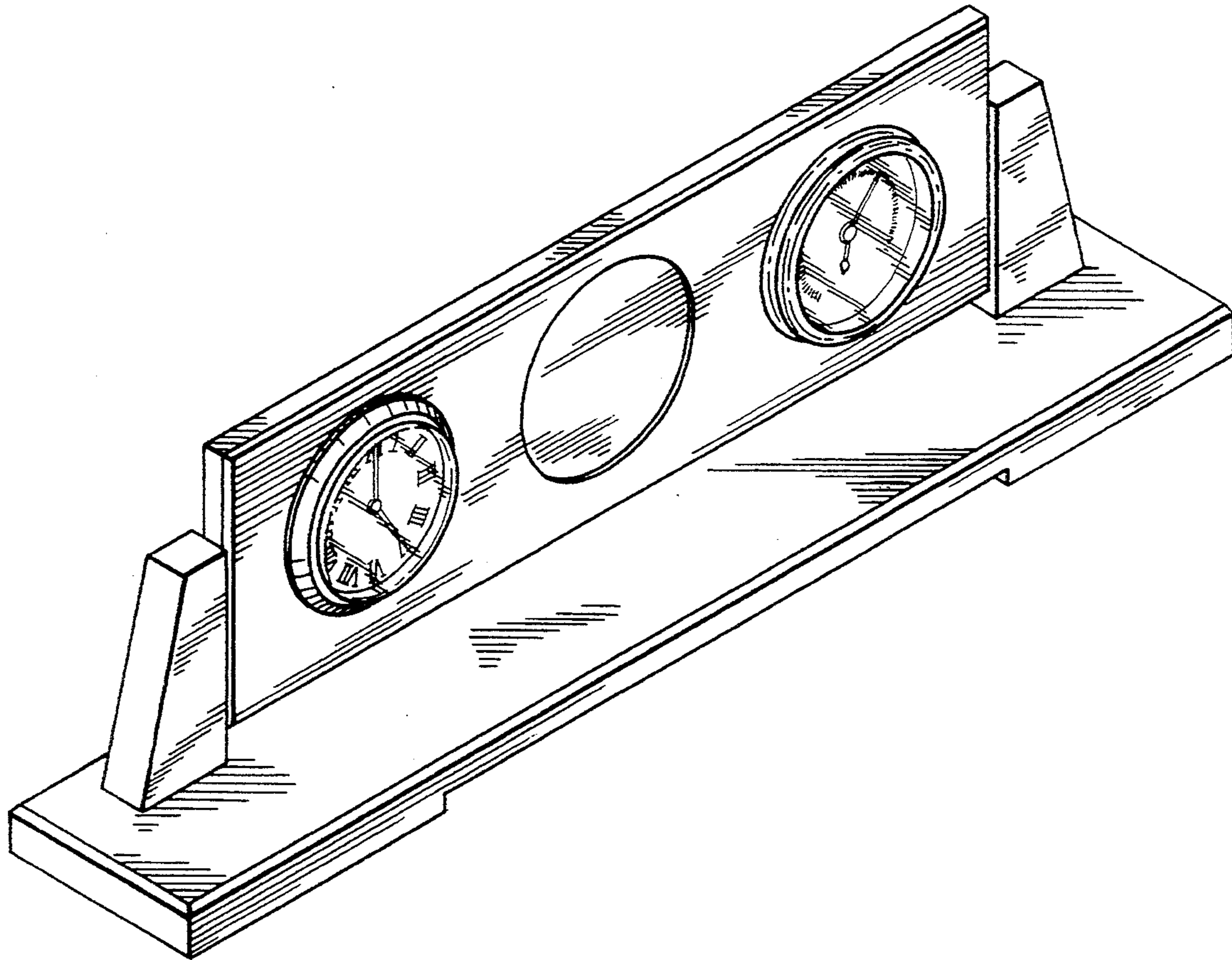


FIG. 1

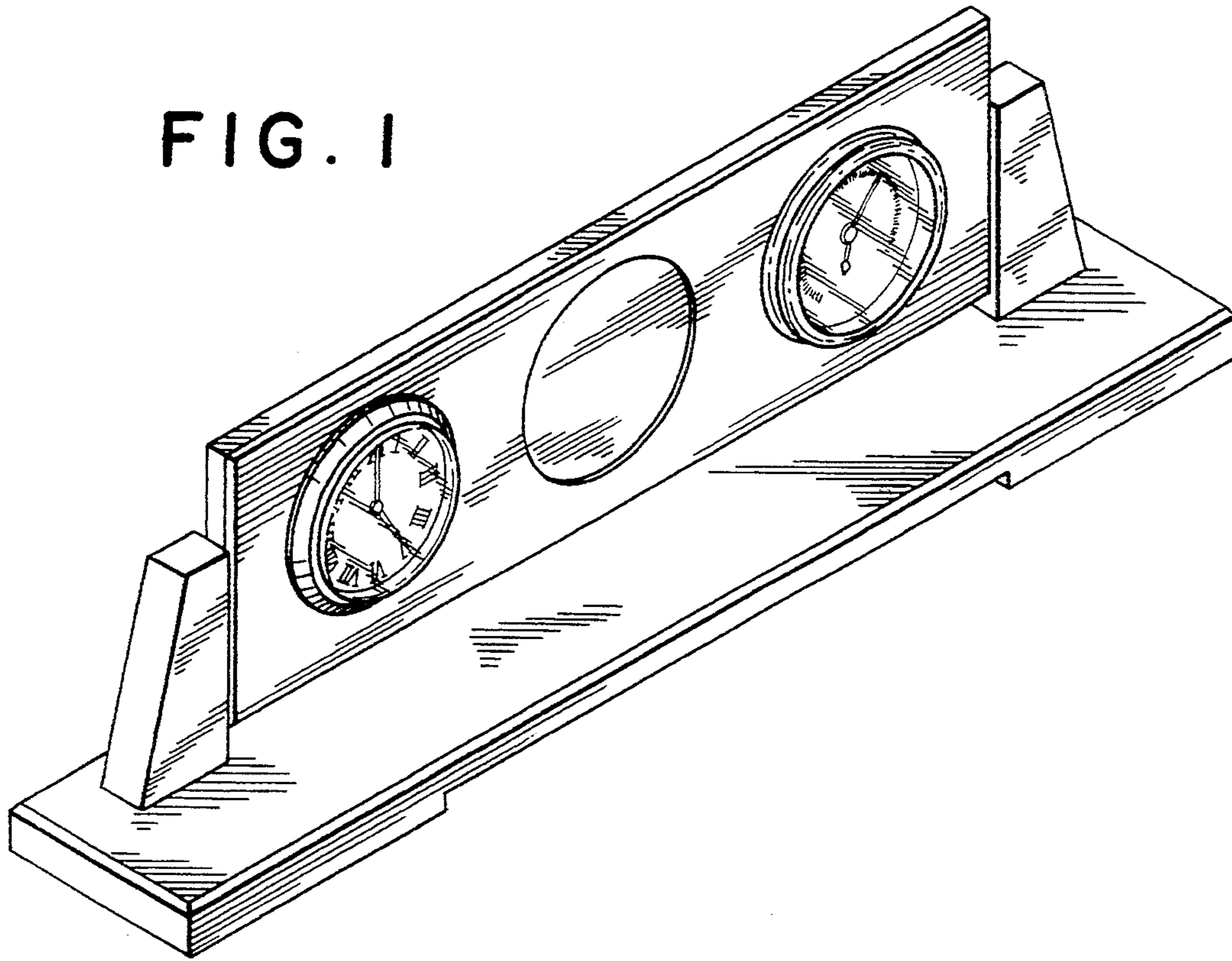
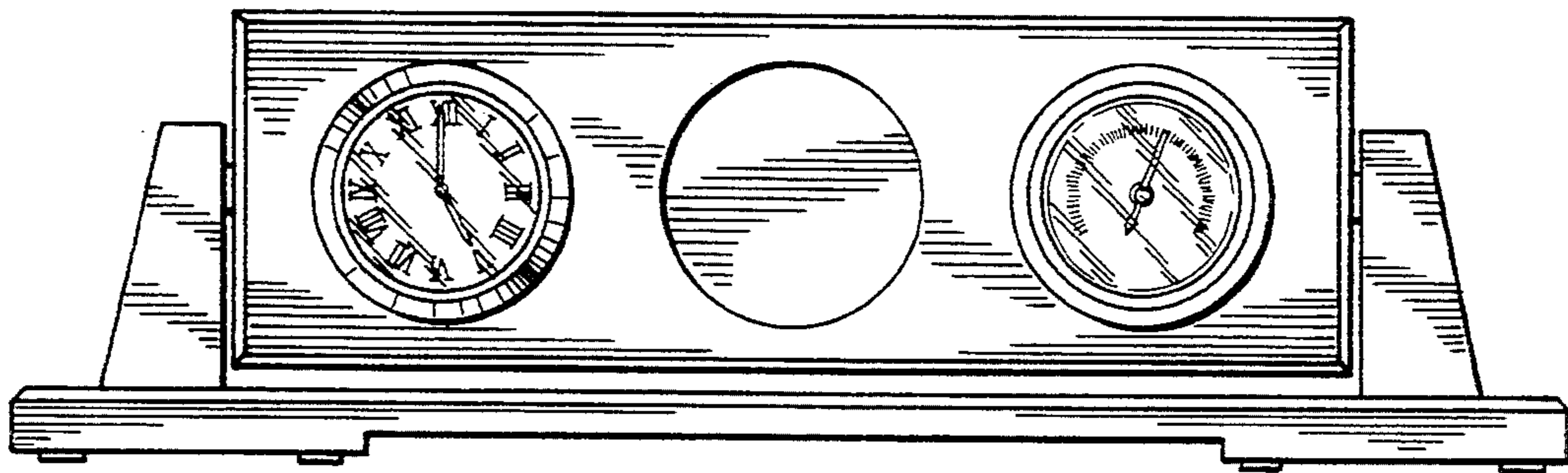


FIG. 2



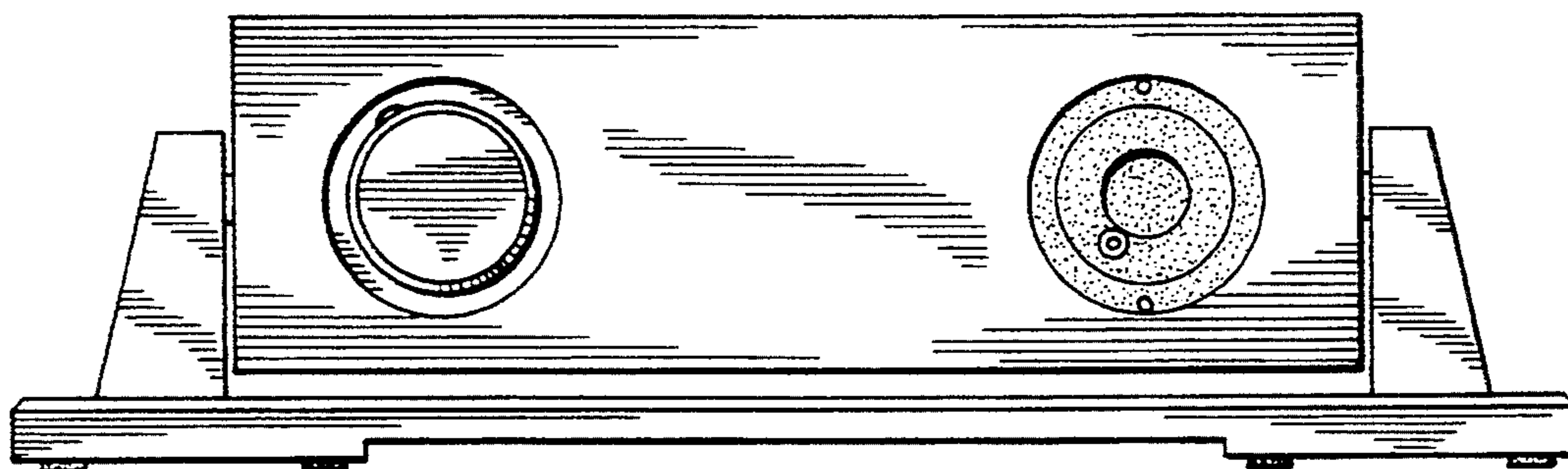


FIG. 3

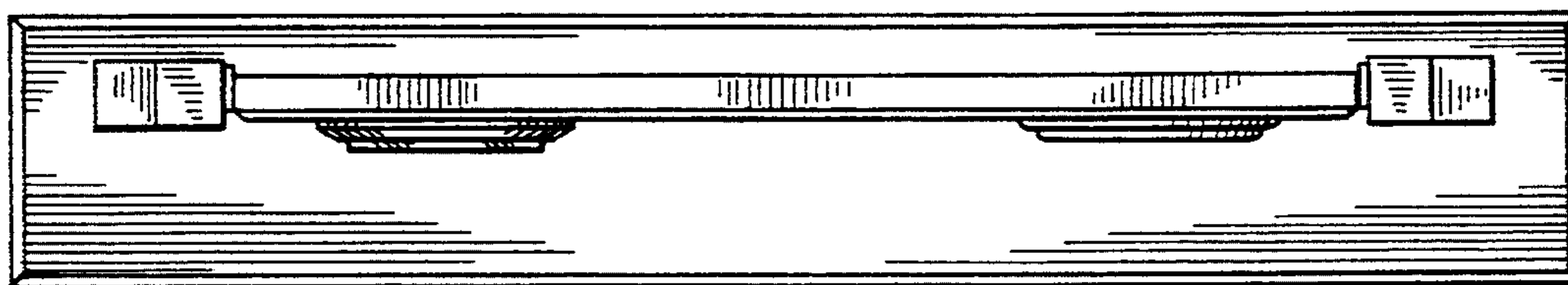


FIG. 4

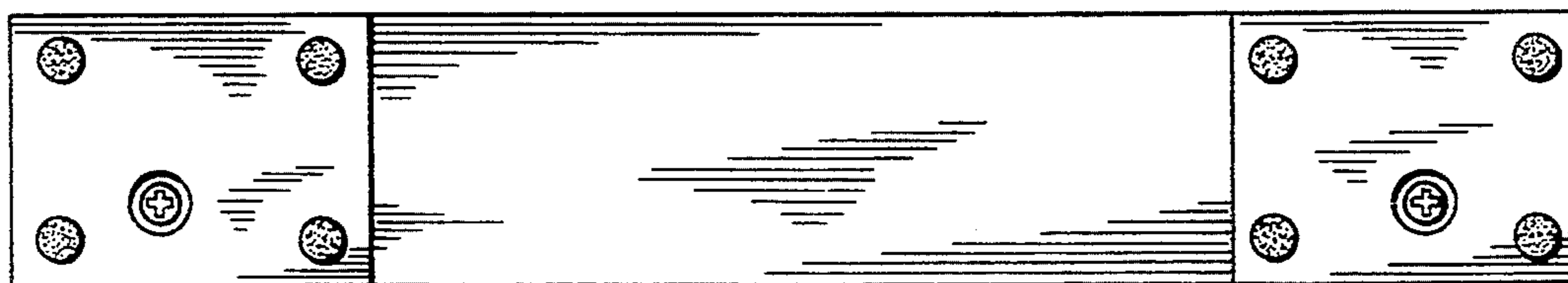


FIG. 5

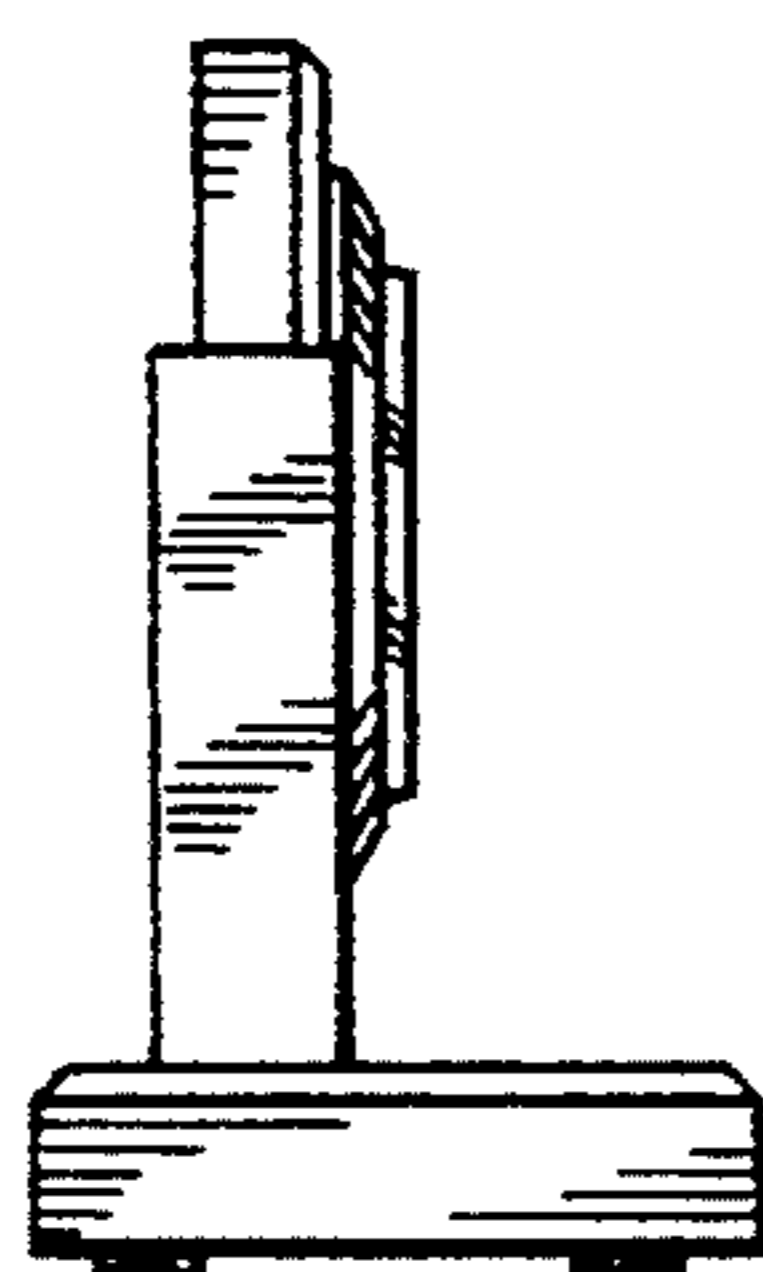


FIG. 6

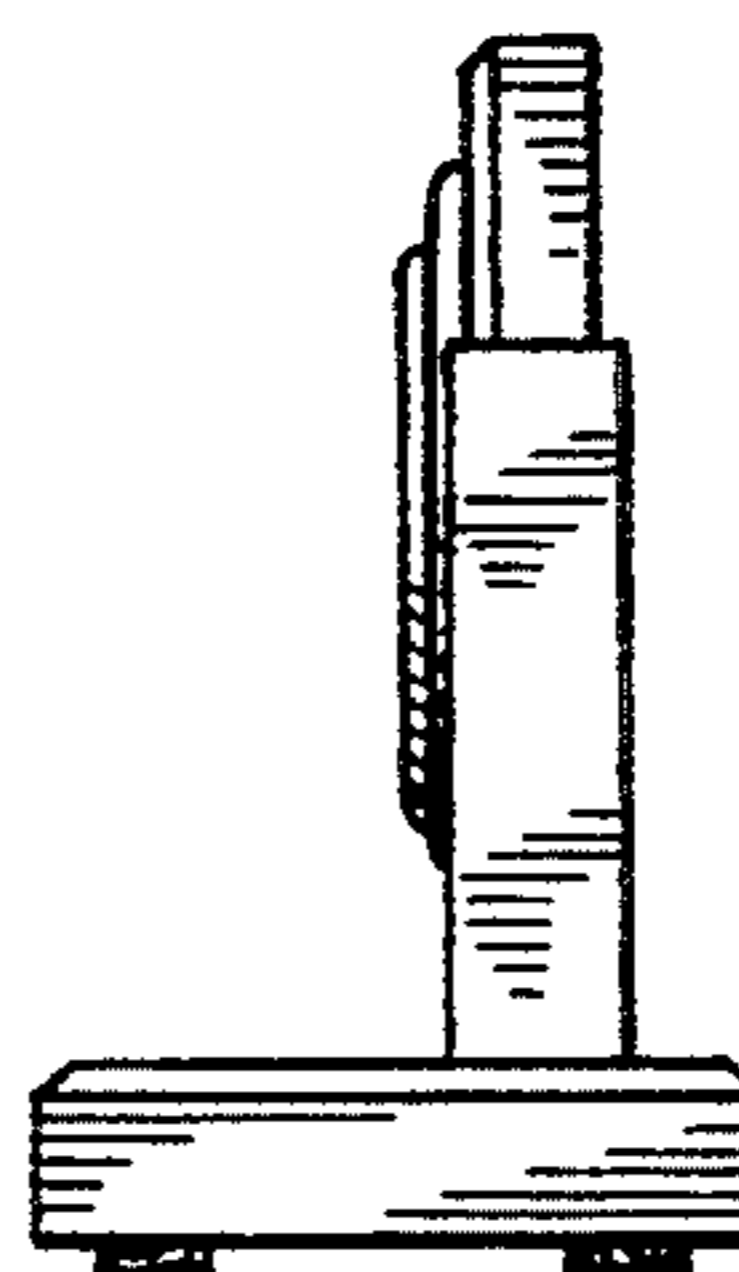


FIG. 7