



US00D359235S

United States Patent [19]

Kennedy et al.

[11] Patent Number: Des. 359,235

[45] Date of Patent: ** Jun. 13, 1995

[54] BAG HOLDER

[76] Inventors: Adriano V. Kennedy, 8511 NW. 8th St., Apt. #208; Alberto V. Kennedy, 8615 NW. 8th St., Apt. #314, both of Miami, Fla. 33126

[**] Term: 14 Years

[21] Appl. No.: 7,856

[22] Filed: May 5, 1993

[52] U.S. Cl. D9/434

[58] Field of Search D8/300, 319-320; D9/434, 455, 499; 206/147, 149; 220/741, 769; 383/6, 13, 15, 18, 22-23

[56] **References Cited**

U.S. PATENT DOCUMENTS

- D. 224,093 7/1972 Griese, Jr. D9/434
- D. 295,727 5/1988 Clarke D9/434

- D. 318,789 8/1991 Oltrogge et al. D8/300
- 3,520,570 7/1970 Christopher et al. D9/434 X
- 3,612,595 10/1971 Updegraff D9/434 X

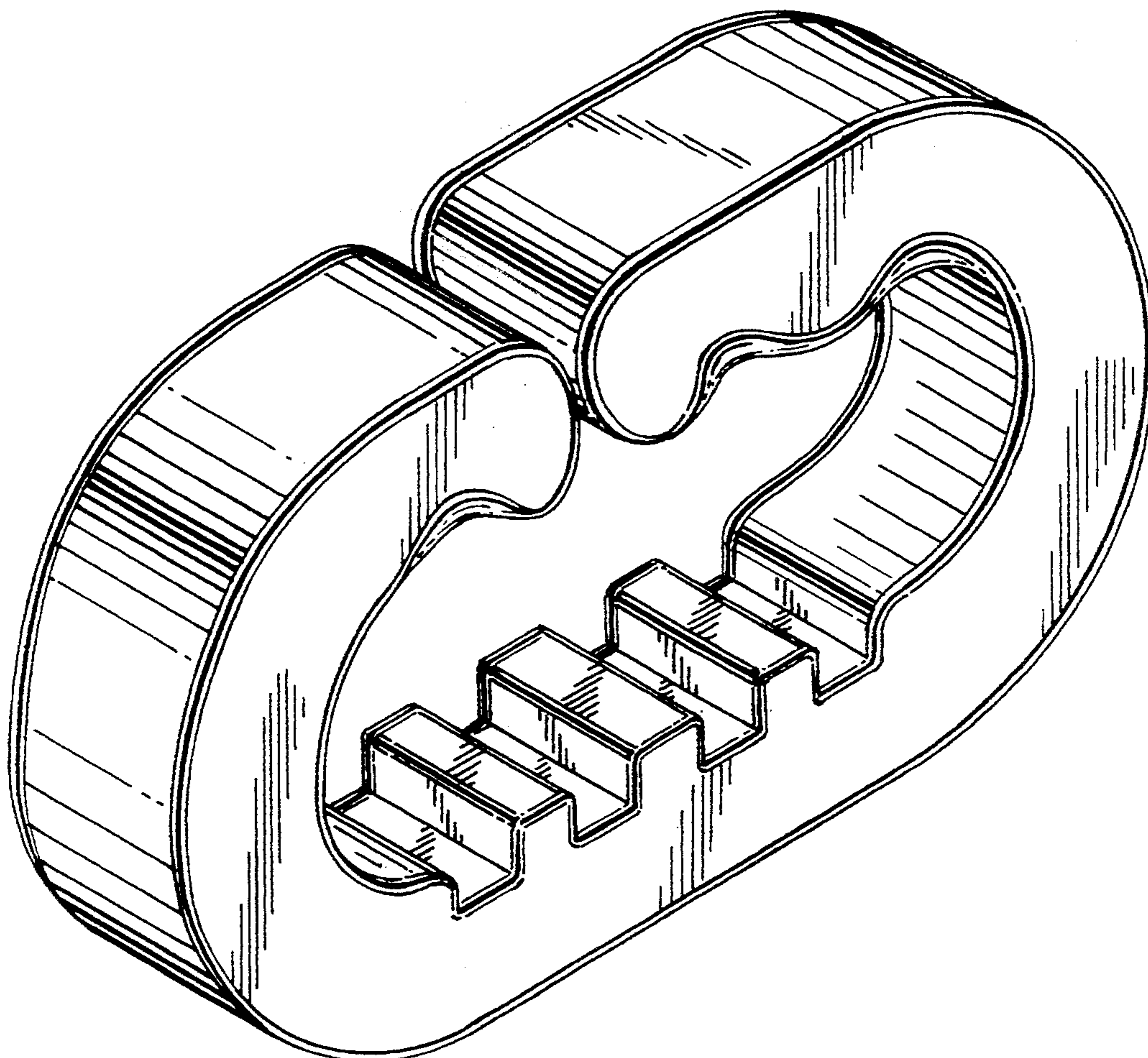
Primary Examiner—Alan P. Douglas
Assistant Examiner—R. Spear
Attorney, Agent, or Firm—J. Sanchelima

[57] **CLAIM**

The ornamental design for a bag holder, as shown and described.

DESCRIPTION

FIG. 1 represents an isometric view of the bag holder showing our new design; FIG. 2 is a rear elevational view thereof; FIG. 3 is a front elevational view thereof; FIG. 4 is a top plan view thereof; FIG. 5 is a bottom plan view thereof; and, FIG. 6 is a side elevational view thereof, the opposite side elevational view being identical thereto.



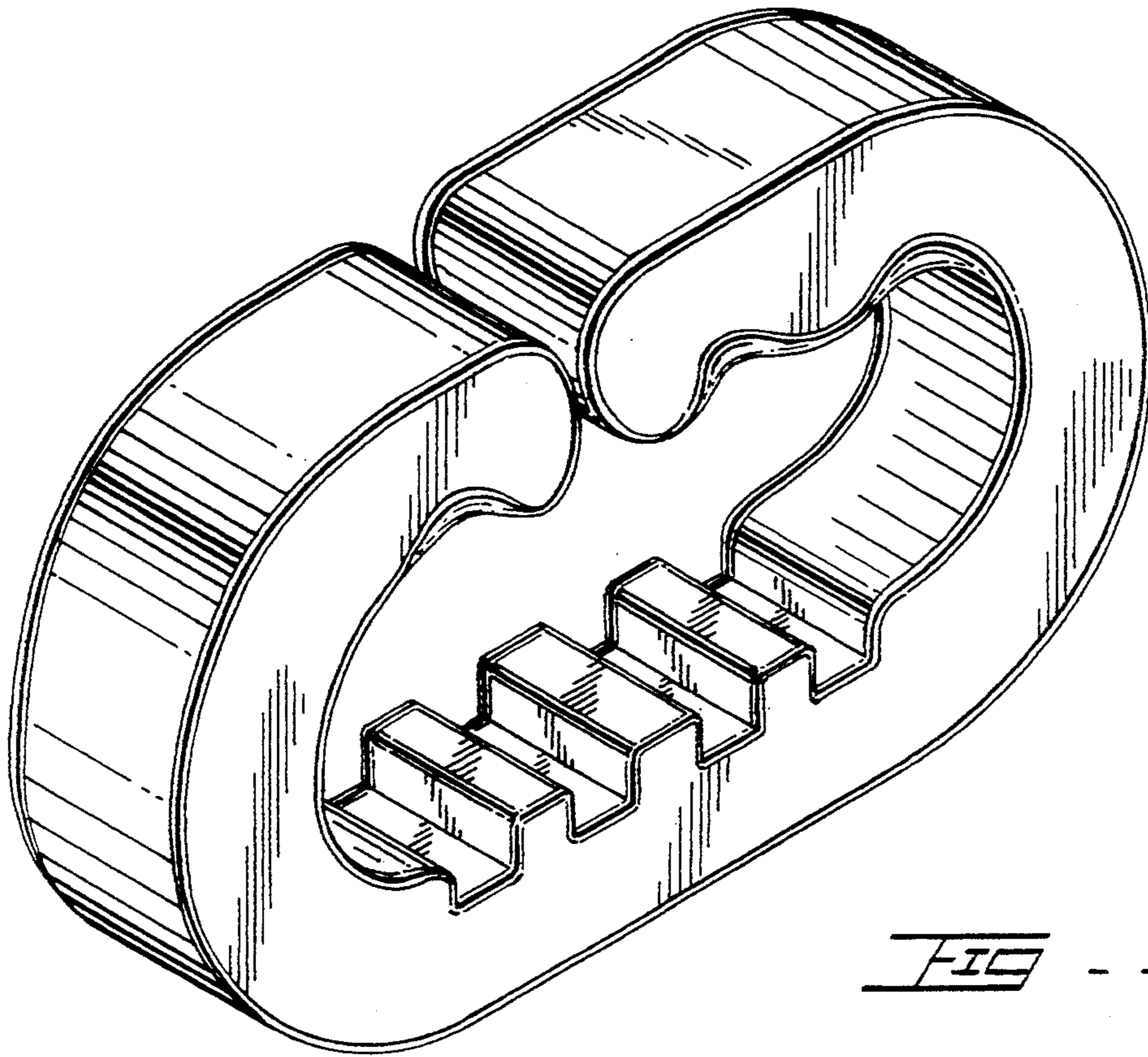


FIG. 1.

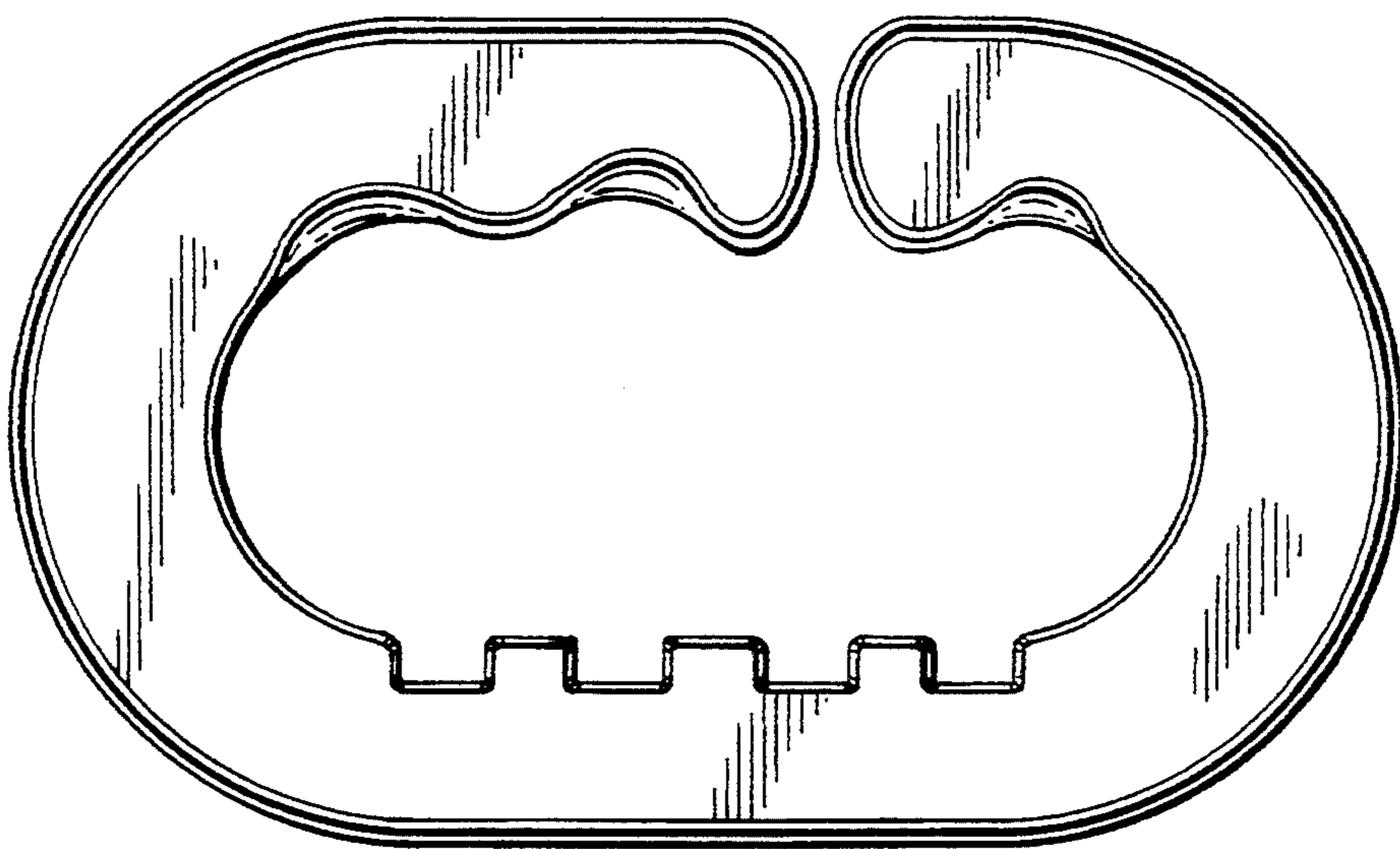


FIG. 2.

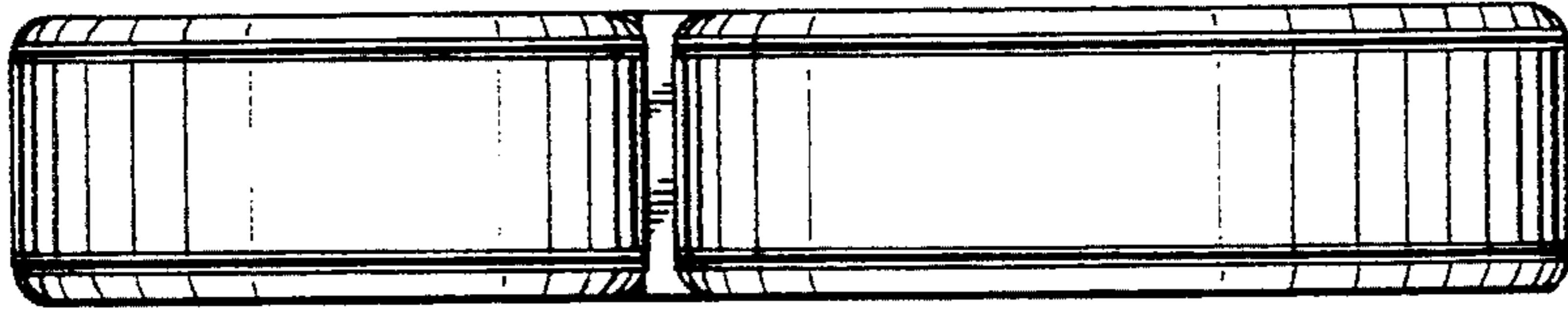


FIG. 4.

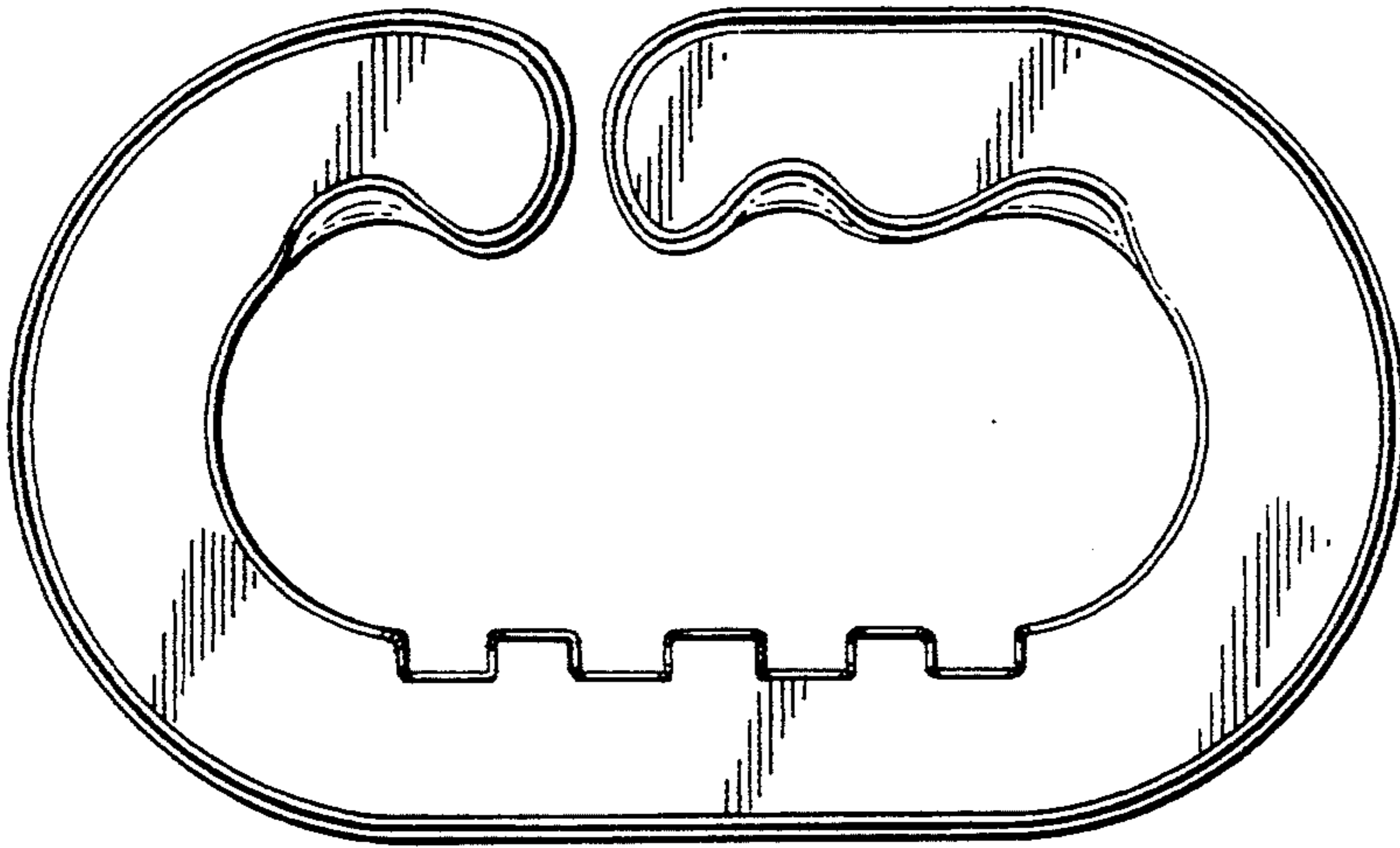


FIG. 3.

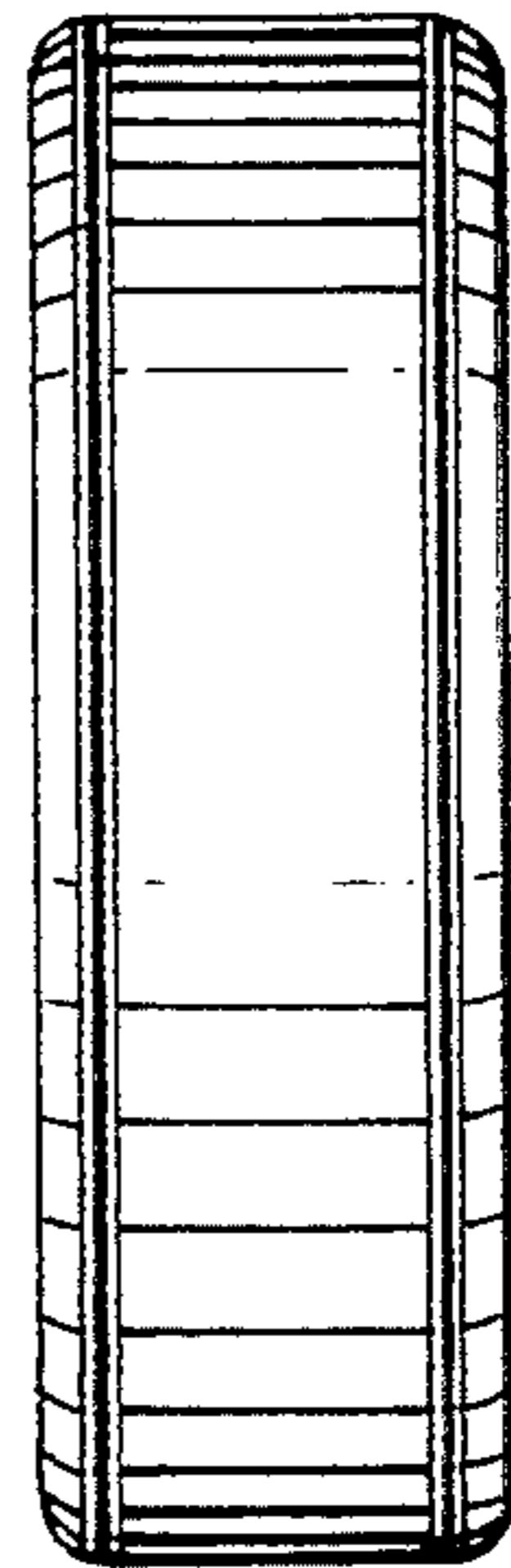


FIG. 6.

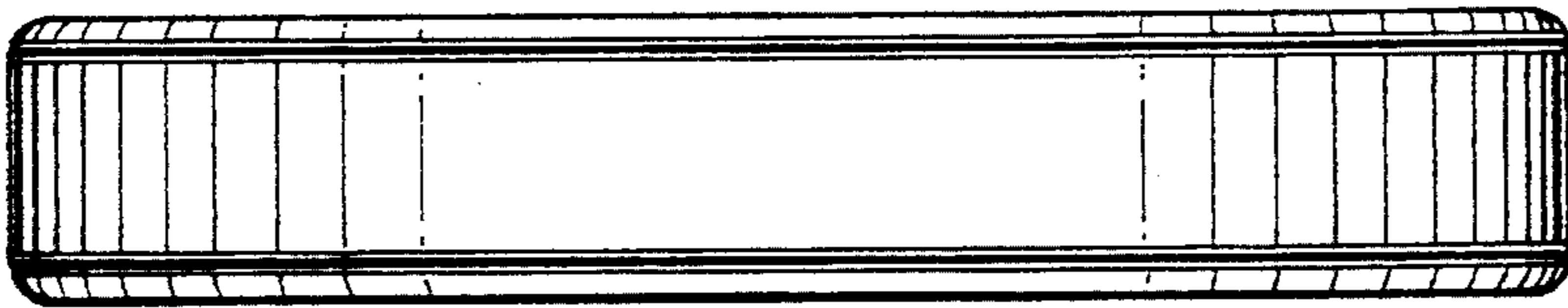


FIG. 5.