



US00D359234S

United States Patent [19]

[11] Patent Number: **Des. 359,234**

Amin

[45] Date of Patent: **** Jun. 13, 1995**

[54] CONTAINER

4,643,326	2/1987	Klingler	220/375 X
4,917,261	4/1990	Borst	220/324
5,011,032	4/1991	Rollman	206/540 X

[76] Inventor: **Alfred Amin**, 1093 Broxton Ave.
#650, Los Angeles, Calif. 90024

Primary Examiner—Prabhakar G. Deshmukh

[**] Term: **14 Years**

[57] CLAIM

[21] Appl. No.: **2,096**

The ornamental design for a container, as shown and described.

[22] Filed: **Dec. 3, 1992**

[52] U.S. Cl. **D9/428**

DESCRIPTION

[58] Field of Search D9/423, 424, 425, 428,
D9/446; 206/528, 530, 540, 828, 807; 220/324,
375, DIG. 34, 249

FIG. 1 is a generally perspective view of a container showing my new design;
FIG. 2 is a side view thereof;
FIG. 3 is a front view thereof;
FIG. 4 is a top view thereof;
FIG. 5 is a rear view thereof;
FIG. 6 is a bottom view thereof; and,
FIG. 7 is a cross-sectional view thereof taken along line 7/7 of FIG. 2.

[56] References Cited

U.S. PATENT DOCUMENTS

D. 306,408	3/1990	Umbeck	D9/446 X
D. 324,822	3/1992	Brabeck et al.	D9/446 X
3,860,111	1/1975	Thompson	206/540 X
3,860,135	1/1975	Yung et al.	220/375 X

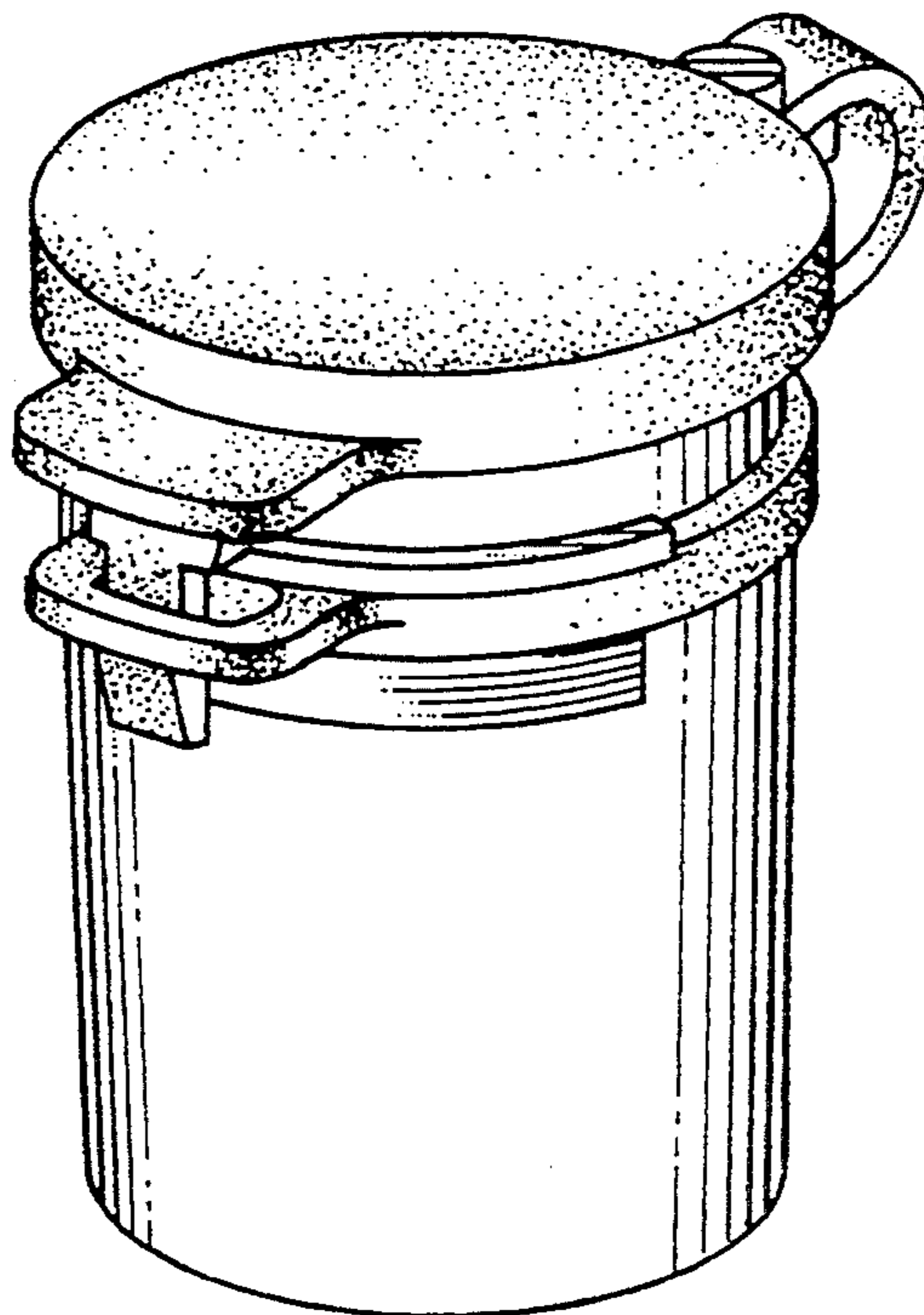


FIG. 1

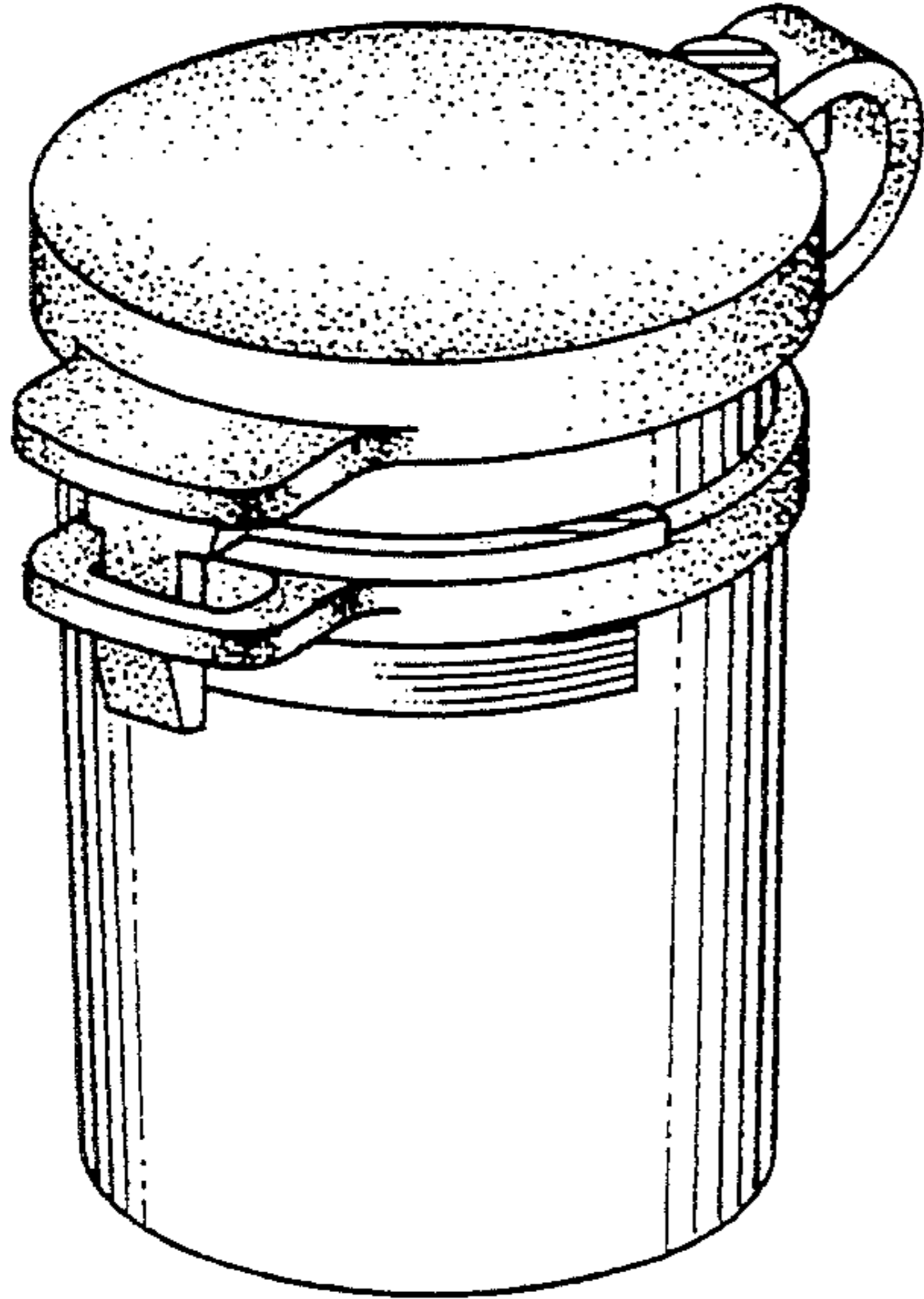
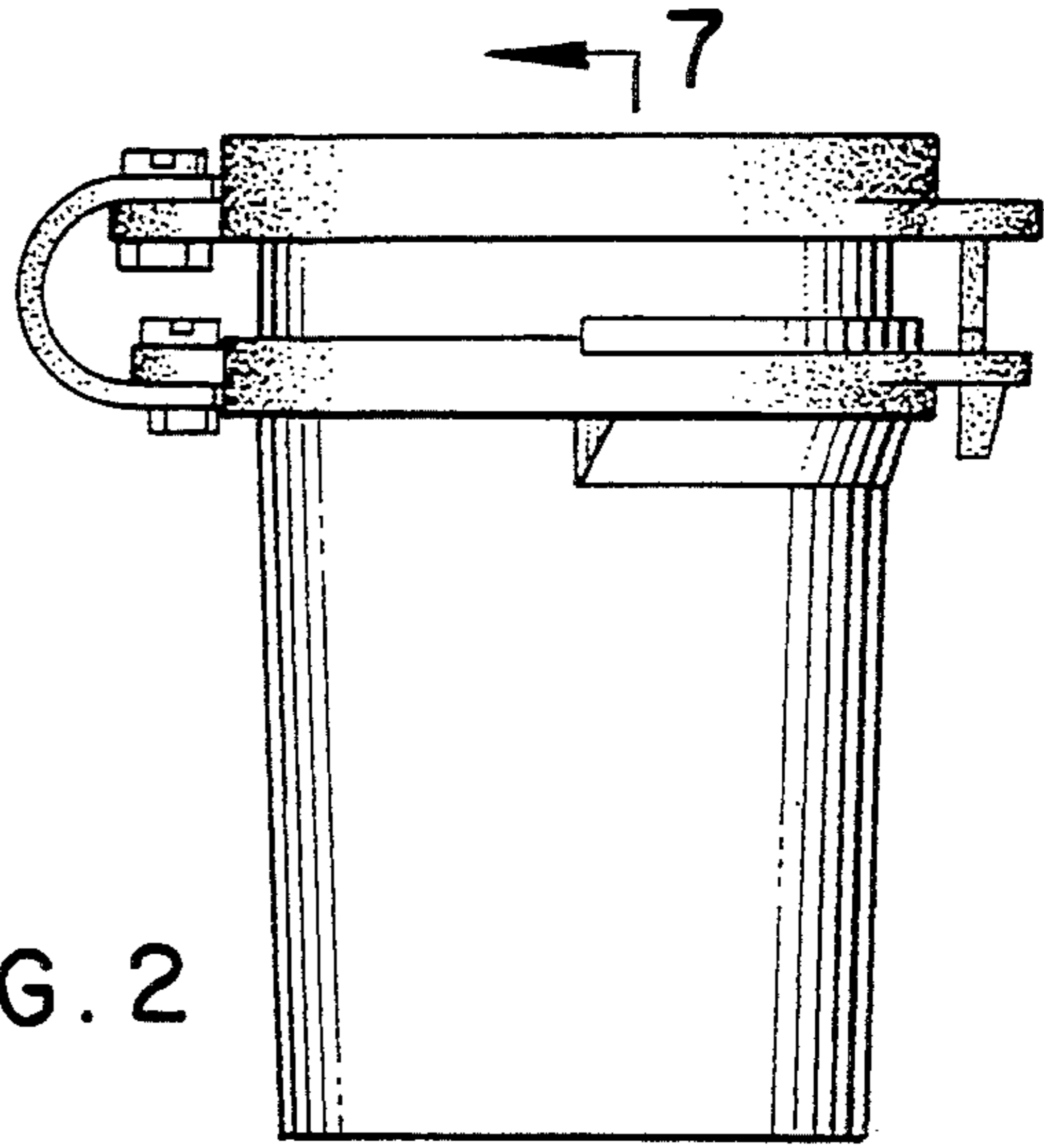


FIG. 2



7

FIG. 3

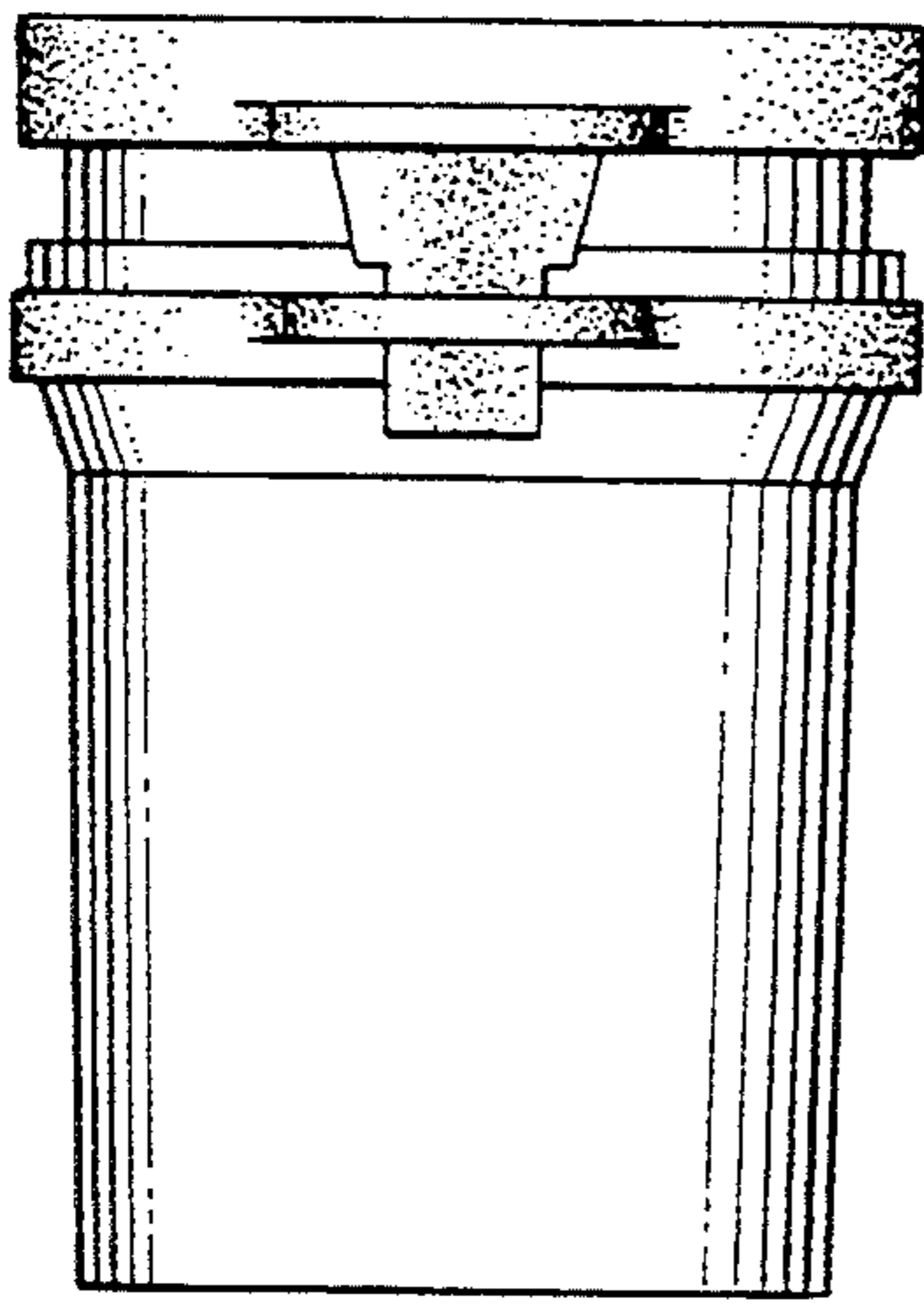


FIG. 4

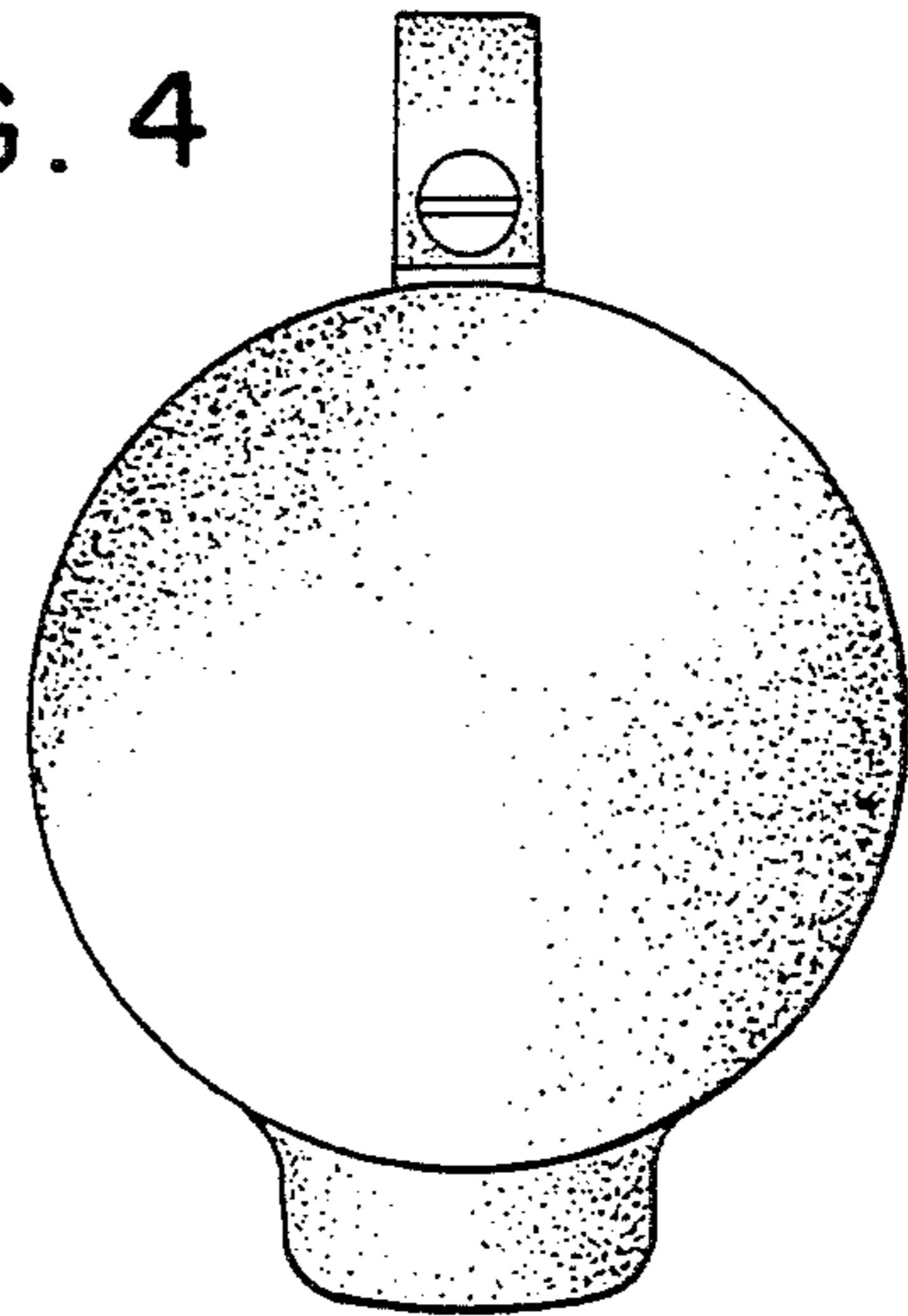


FIG. 7

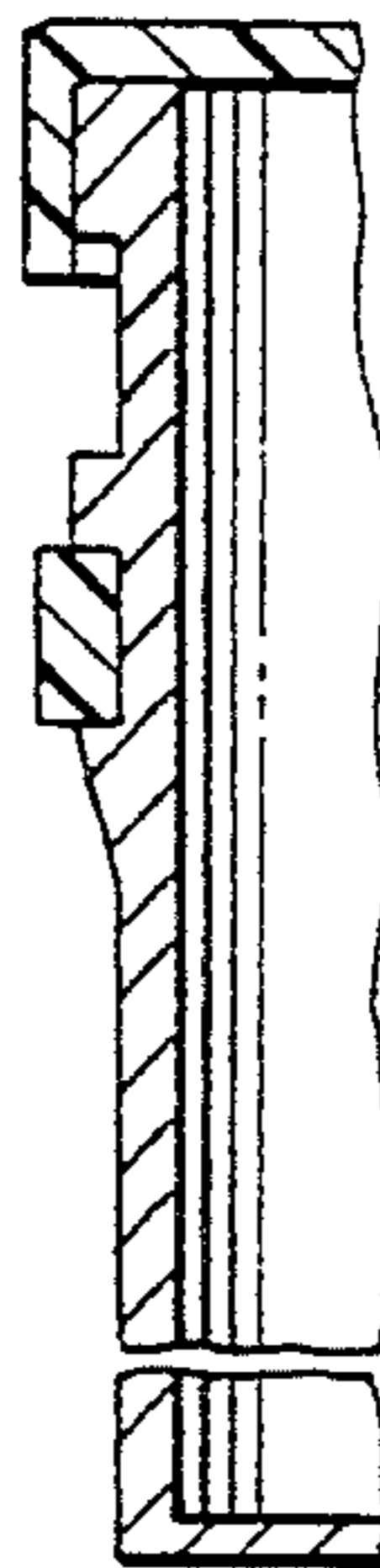


FIG. 5

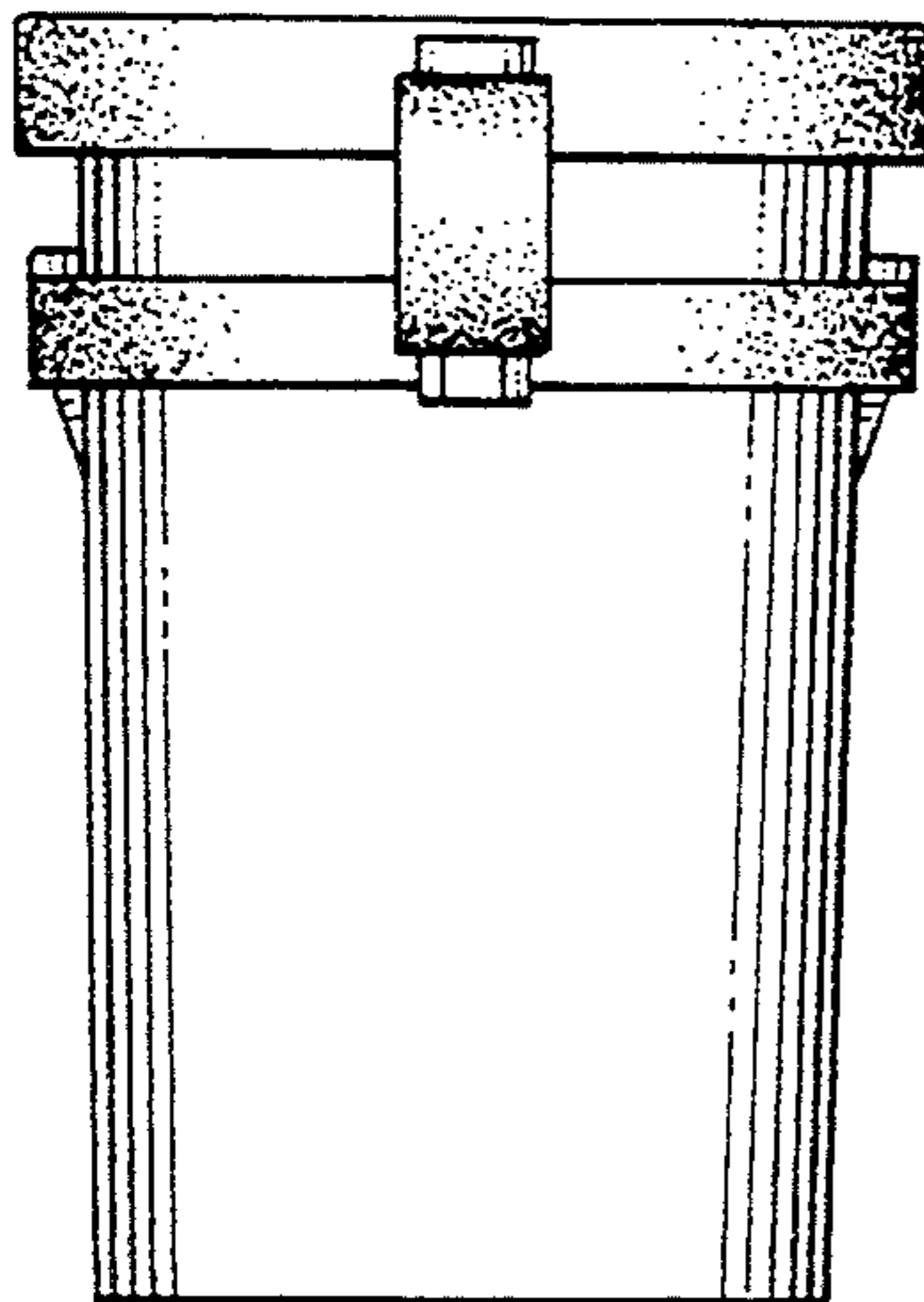


FIG. 6

