



US00D359227S

**United States Patent** [19]

[11] **Patent Number: Des. 359,227**

**Murai**

[45] **Date of Patent: \*\* Jun. 13, 1995**

[54] **SWIVEL HOOK**

[75] **Inventor: Ryukichi Murai, Toyama, Japan**

[73] **Assignee: Yoshida Kogyo K.K., Tokyo, Japan**

[\*\*] **Term: 14 Years**

[21] **Appl. No.: 17,645**

[22] **Filed: Jan. 19, 1994**

[30] **Foreign Application Priority Data**

Jul. 29, 1993 [JP] Japan ..... 5-23257

[52] **U.S. Cl. .... D8/367**

[58] **Field of Search ..... D8/367, 382; 24/265 H, 24/589.8, 600.4-600.5, 600.7**

[56] **References Cited**

**U.S. PATENT DOCUMENTS**

D. 296,301	6/1988	Kasai	.....	D8/382
4,577,374	3/1986	Lii	.....	D8/367 X
4,868,954	9/1989	Kasai	.....	D8/367 X
5,127,137	7/1992	Krauss	.....	24/265 H
5,274,887	1/1994	Fudaki	.....	24/265 H

*Primary Examiner*—Susan J. Lucas

*Assistant Examiner*—Holly Baynham

*Attorney, Agent, or Firm*—Hill, Steadman & Simpson

[57] **CLAIM**

The ornamental design for swivel hook, as shown.

**DESCRIPTION**

FIG. 1 is a front view of a swivel hook; FIG. 2 is a rear view of the swivel hook of FIG. 1; FIG. 3 is a plan view of the swivel hook of FIG. 1; FIG. 4 is a base view of the swivel hook of FIG. 1; FIG. 5 is a right side view of the swivel hook of FIG. 1; FIG. 6 is a cross-sectional view taken on line 6—6 of FIG. 1;

FIG. 7 is a cross-sectional view taken on line 7—7 of FIG. 5; and,

FIG. 8 is an explanatory view showing the swivel hook of FIG. 1 in use.

The broken line showing of strap material and swivel hook structure is for illustrative use only and forms no part of the claimed design.

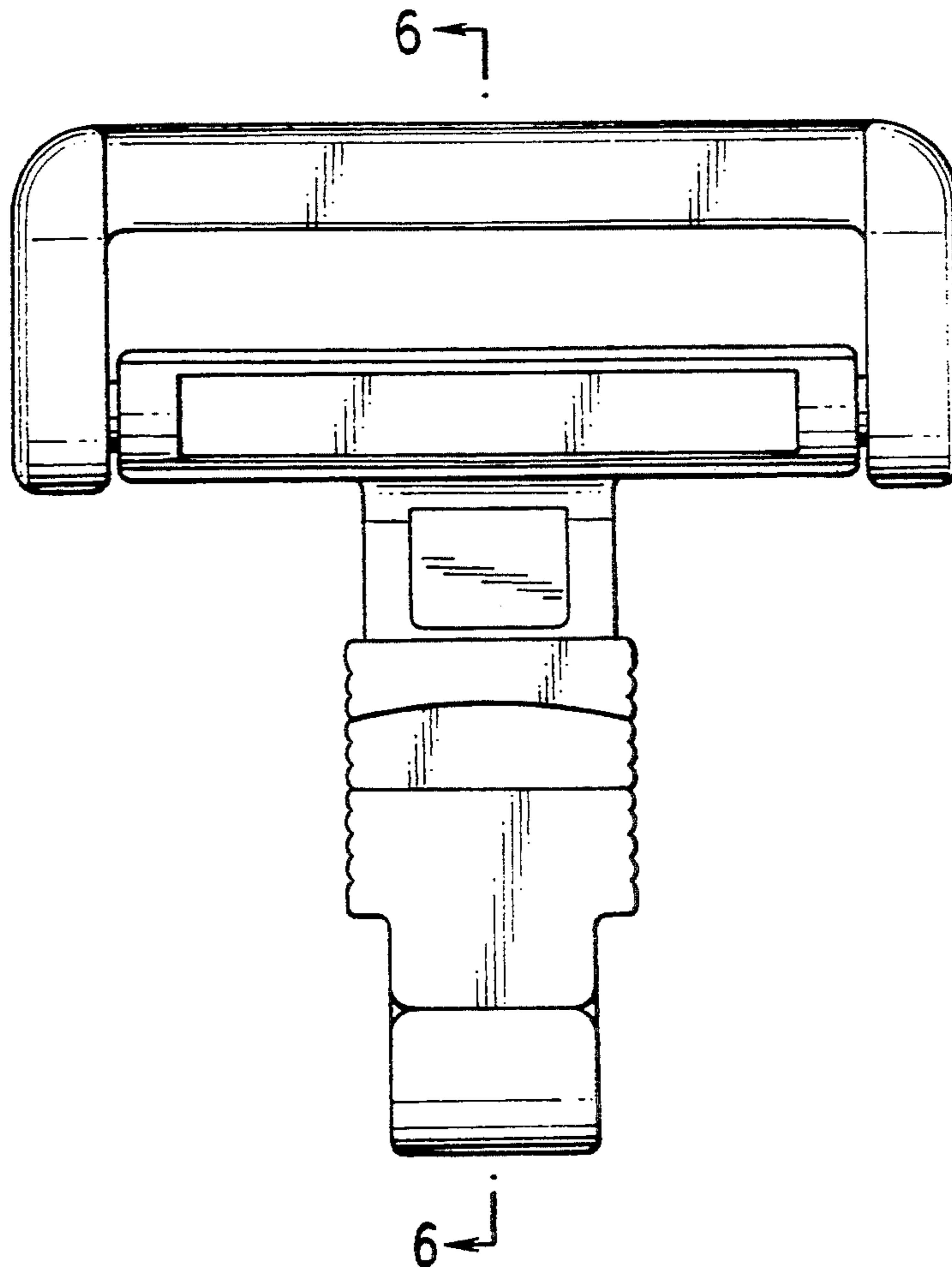


FIG. 1

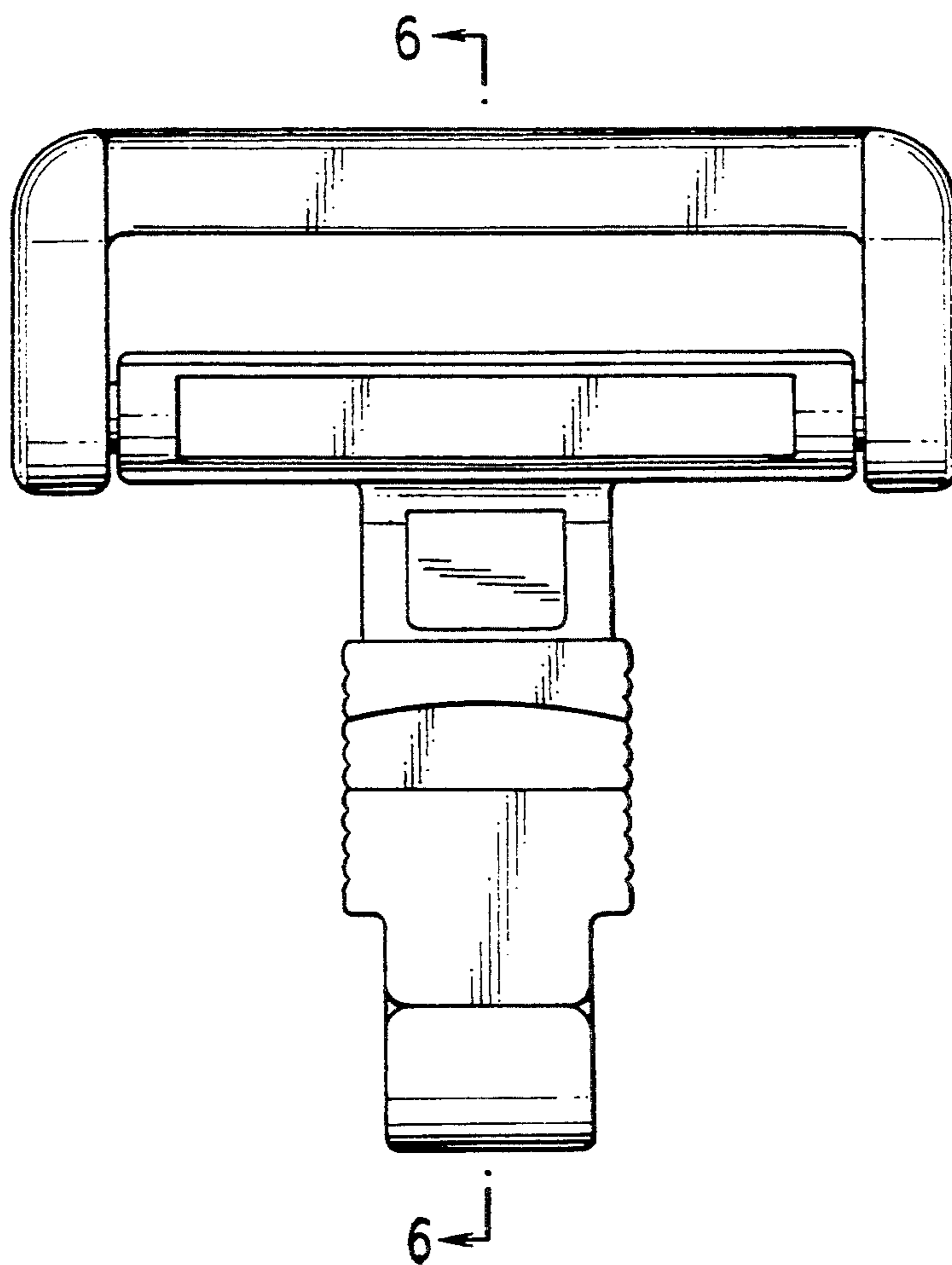


FIG. 2

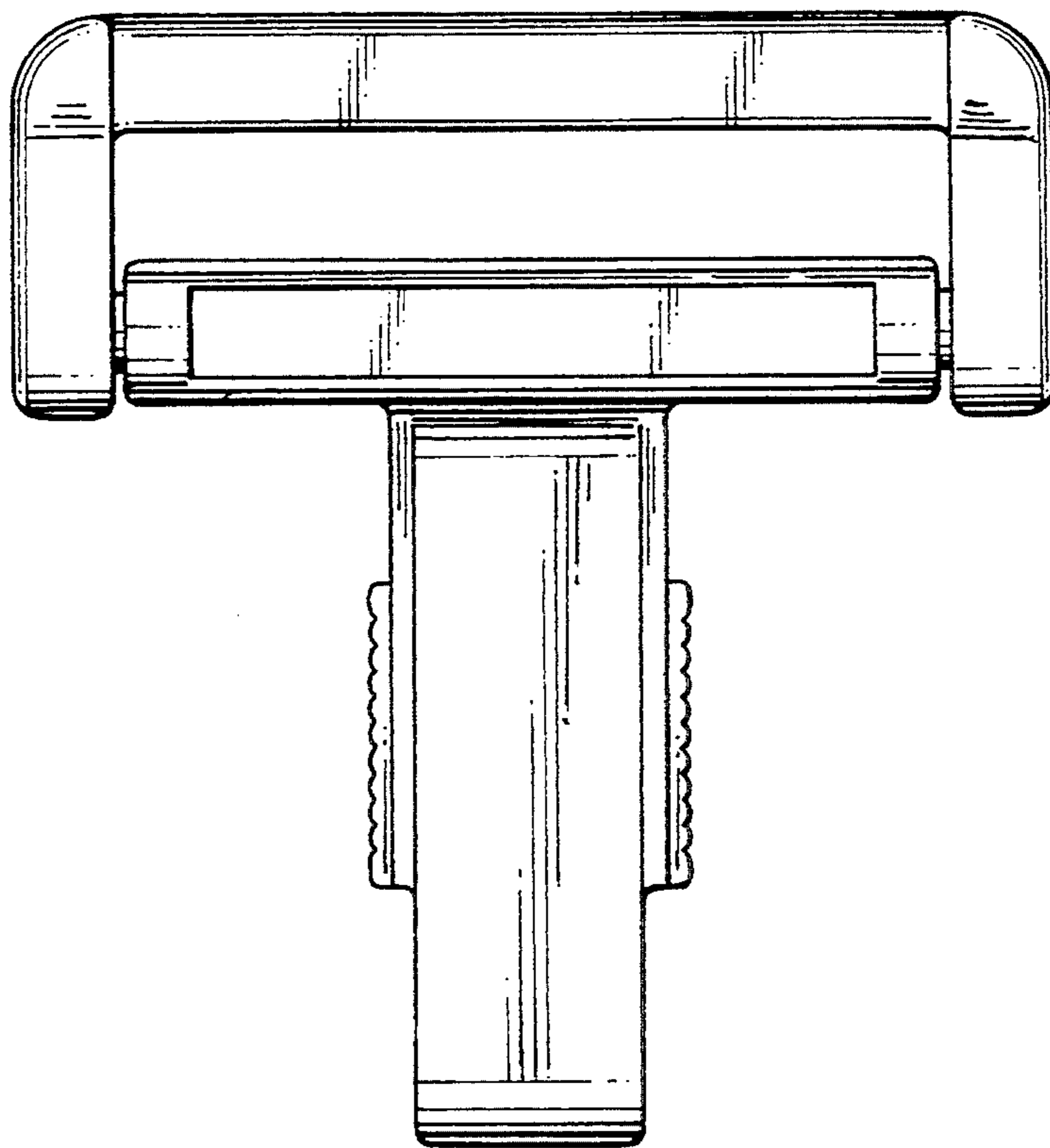


FIG. 3

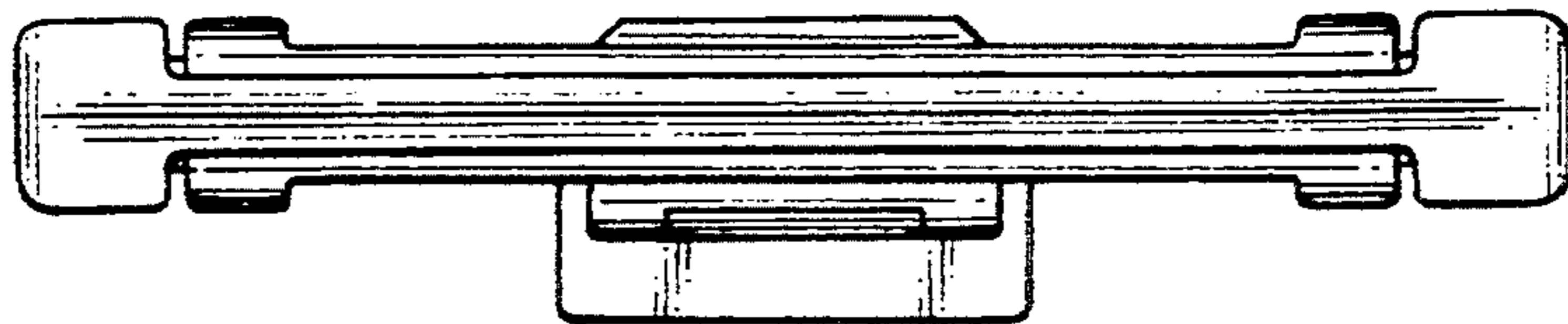


FIG. 4

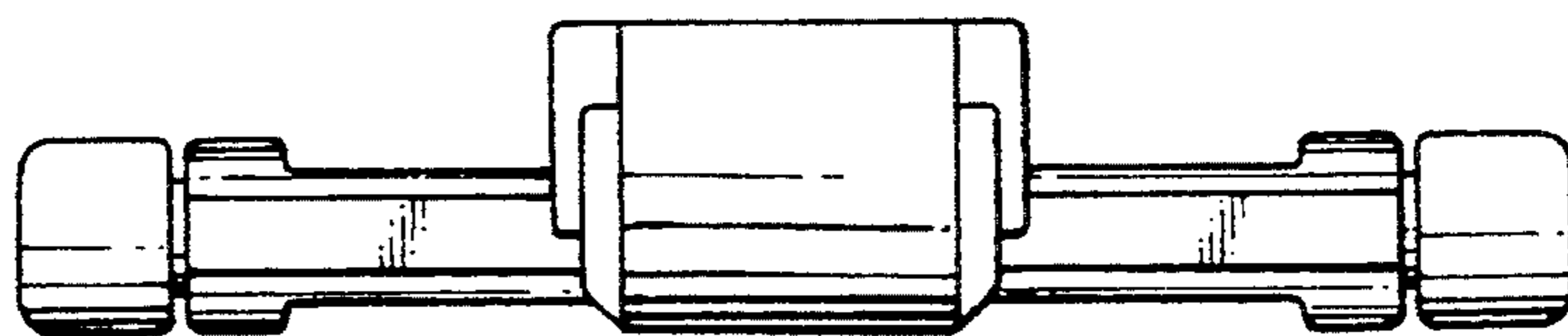


FIG. 5

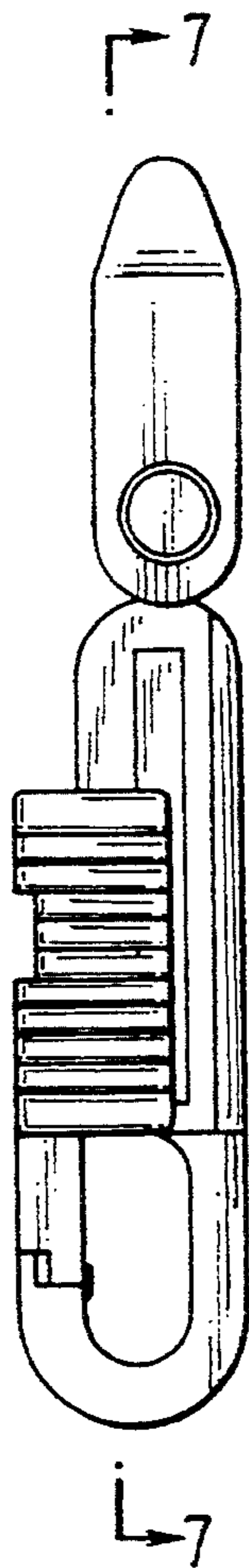


FIG. 6

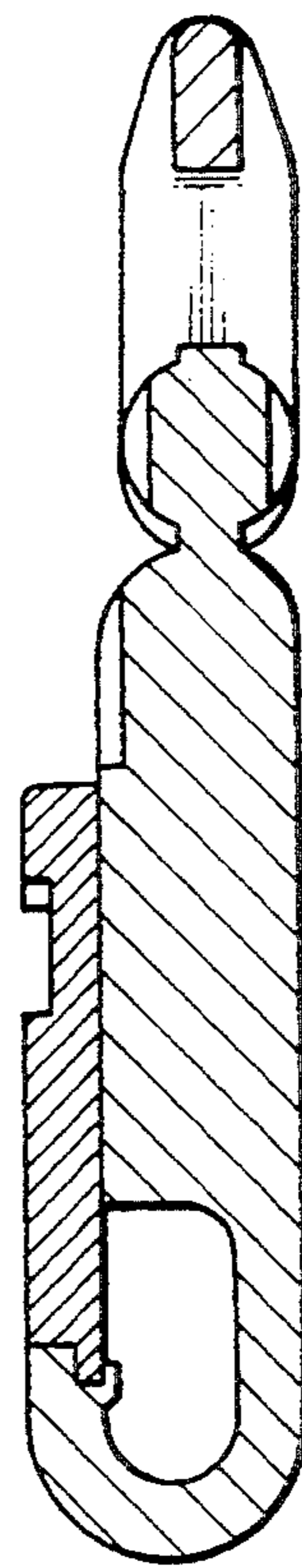


FIG. 7

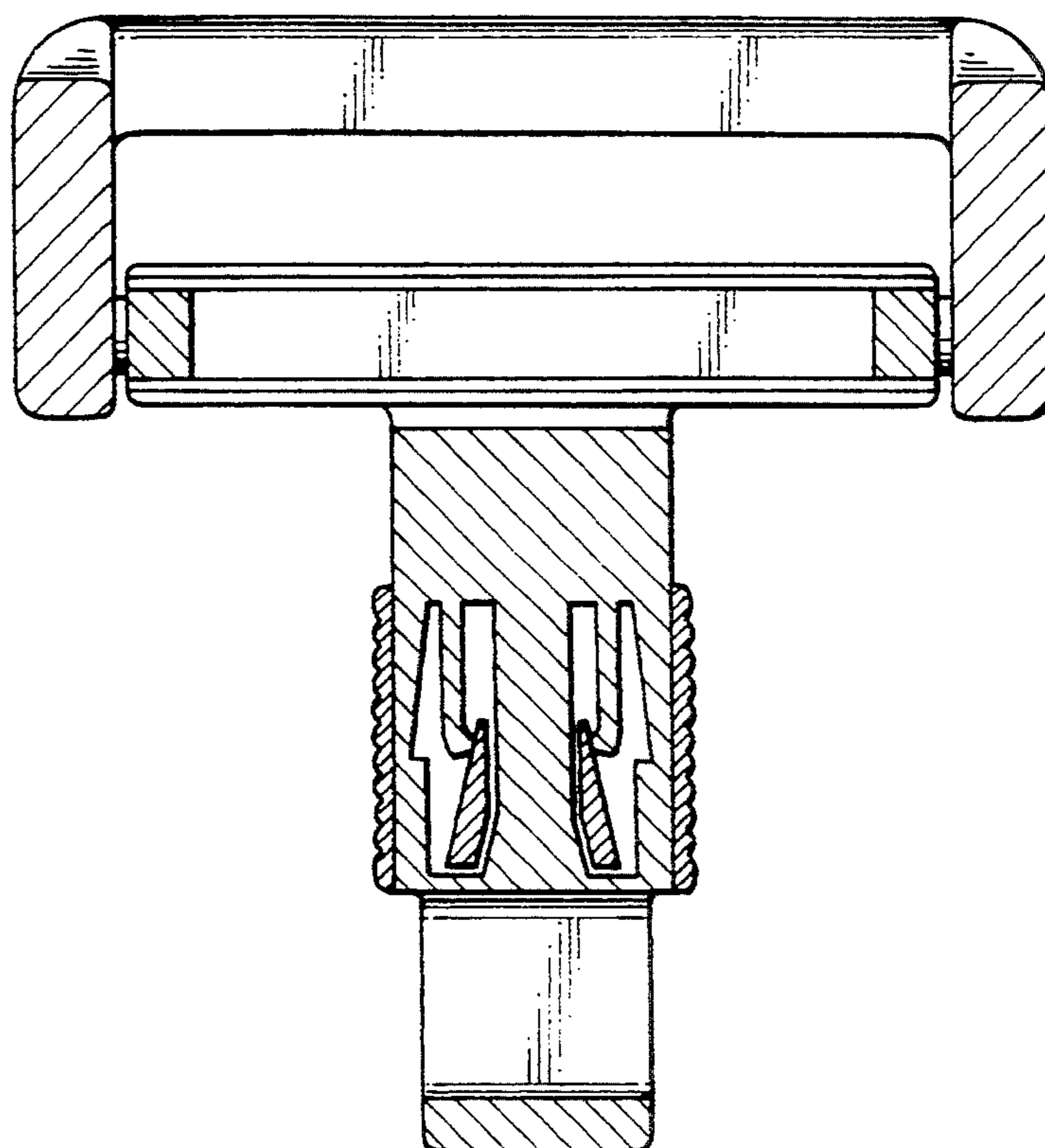


FIG. 8

