



US00D359226S

United States Patent [19]

[11] Patent Number: **Des. 359,226**

Trapp

[45] Date of Patent: **** Jun. 13, 1995**

[54] ADJUSTABLE ARCH SUPPORT

[76] Inventor: **William B. Trapp**, 135 Madden Run Rd., New Galilee, Pa. 16141

[**] Term: **14 Years**

[21] Appl. No.: **18,584**

[22] Filed: **Feb. 9, 1994**

[52] U.S. Cl. **D8/355**

[58] Field of Search D8/355; 405/288, 124, 405/290; 248/328; 52/86, 745.08

FOREIGN PATENT DOCUMENTS

1513143 2/1968 France .
1227317 4/1971 United Kingdom .
1656135 6/1991 U.S.S.R. .

Primary Examiner—James M. Gandy
Assistant Examiner—Holly Baynham
Attorney, Agent, or Firm—Richard Litman

[57] CLAIM

The ornamental design for an adjustable arch support, as shown and described.

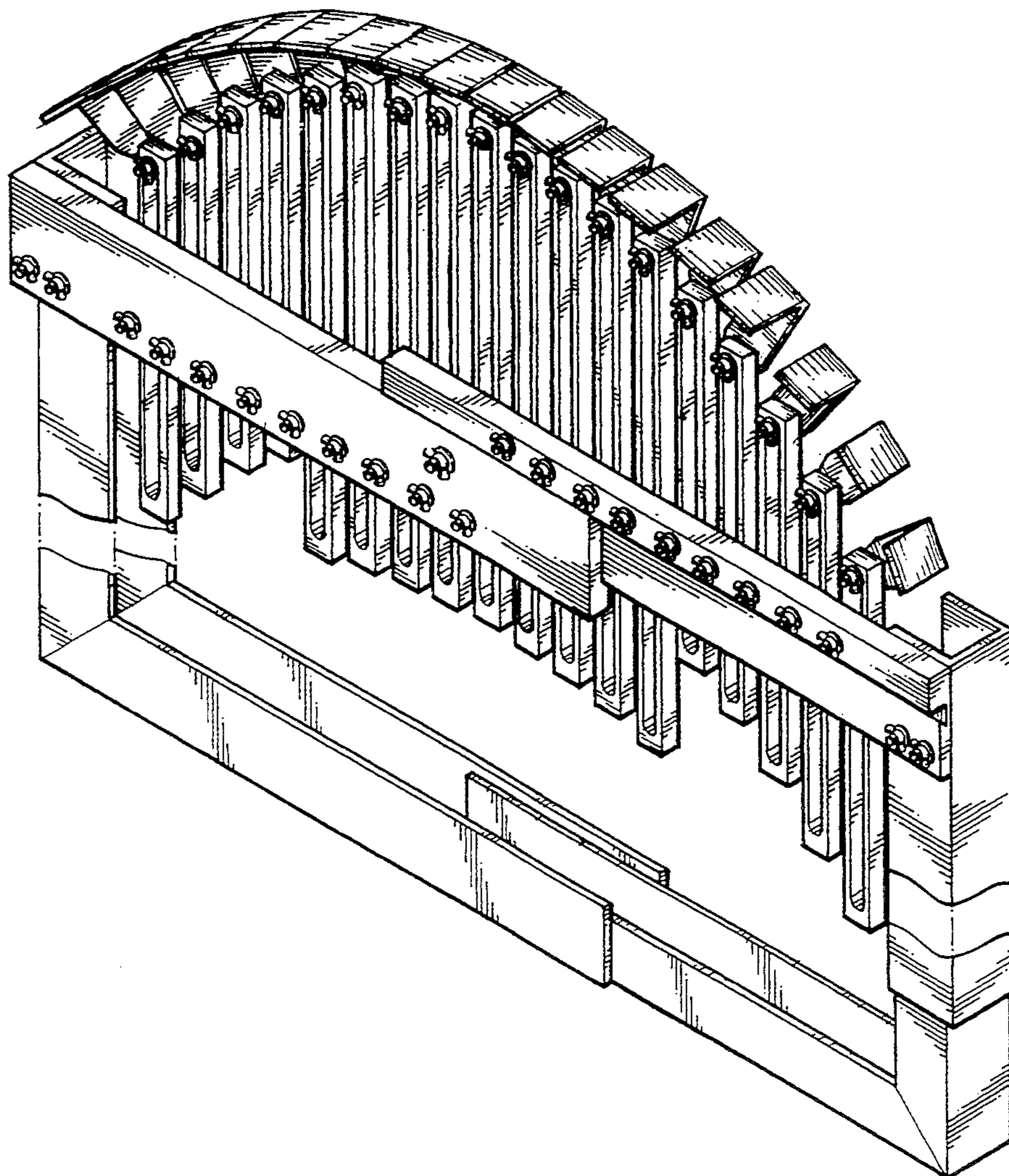
[56] References Cited

U.S. PATENT DOCUMENTS

1,630,589 5/1927 Taber .
3,812,680 5/1974 Walbrohl .
4,601,138 7/1986 Hampton 52/86
4,618,283 10/1986 Hilfiker .
4,702,044 10/1987 Dominguez 52/86
4,955,168 9/1990 Barry 52/86 X
5,087,397 2/1992 Martinez 52/745.08 X

DESCRIPTION

FIG. 1 is an environmental perspective view of an adjustable arch support showing my new design; FIG. 2 is an enlarged front elevational view thereof; FIG. 3 is an enlarged rear elevational view thereof; FIG. 4 is an enlarged top plan view thereof; FIG. 5 is an enlarged left side view thereof; FIG. 6 is an enlarged right side view thereof; and, FIG. 7 is an enlarged bottom plan view thereof.



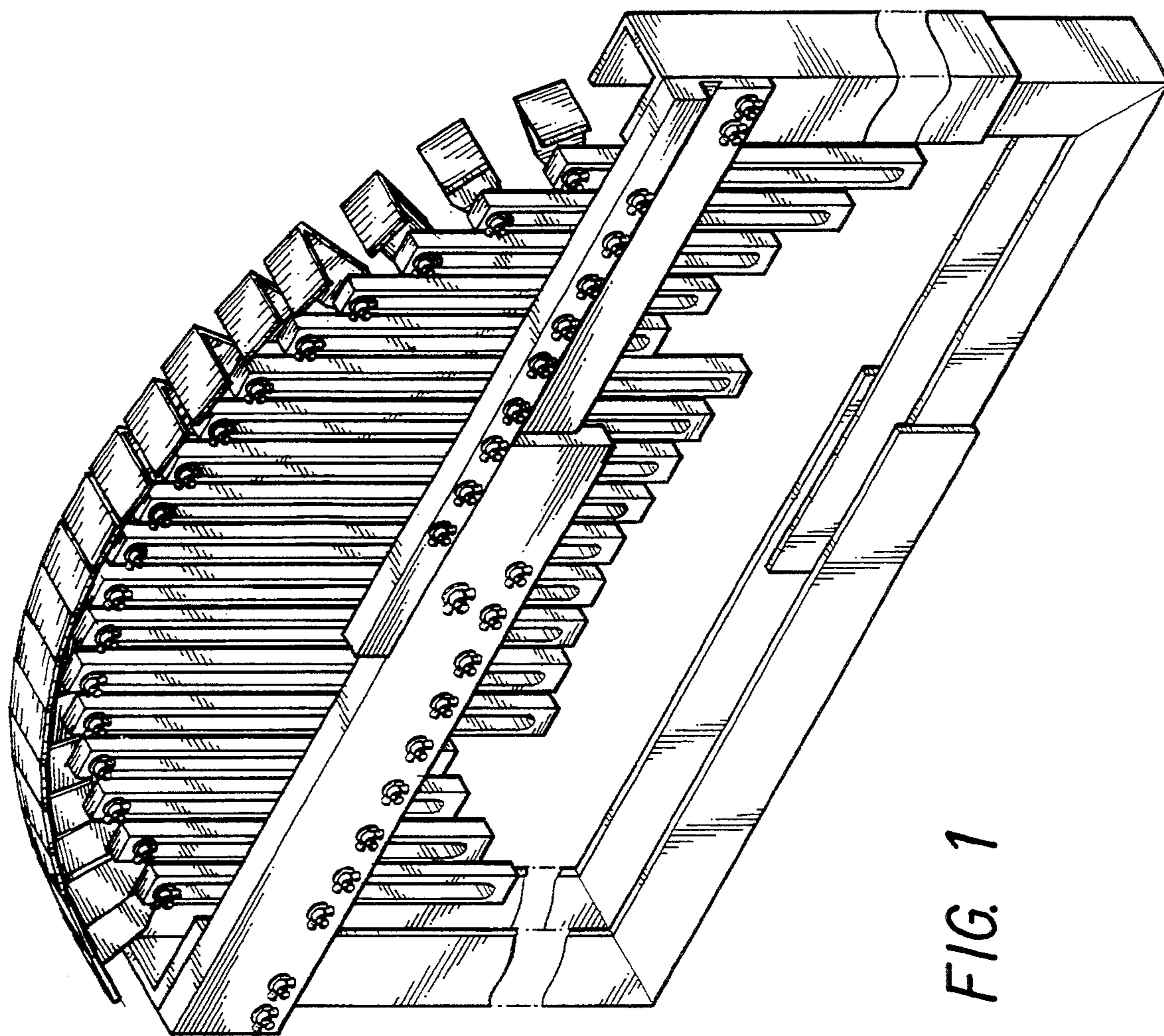


FIG. 1

FIG. 2

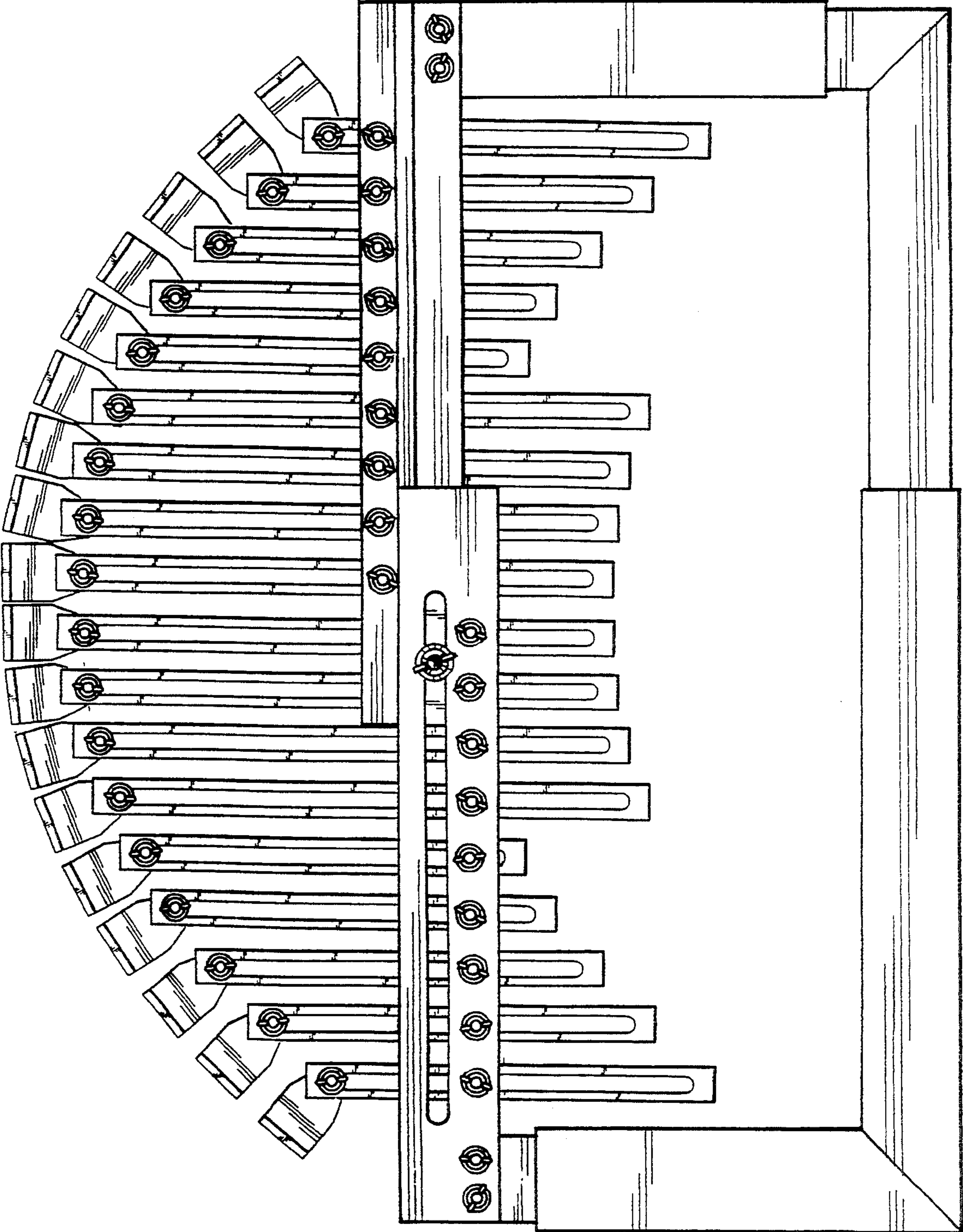
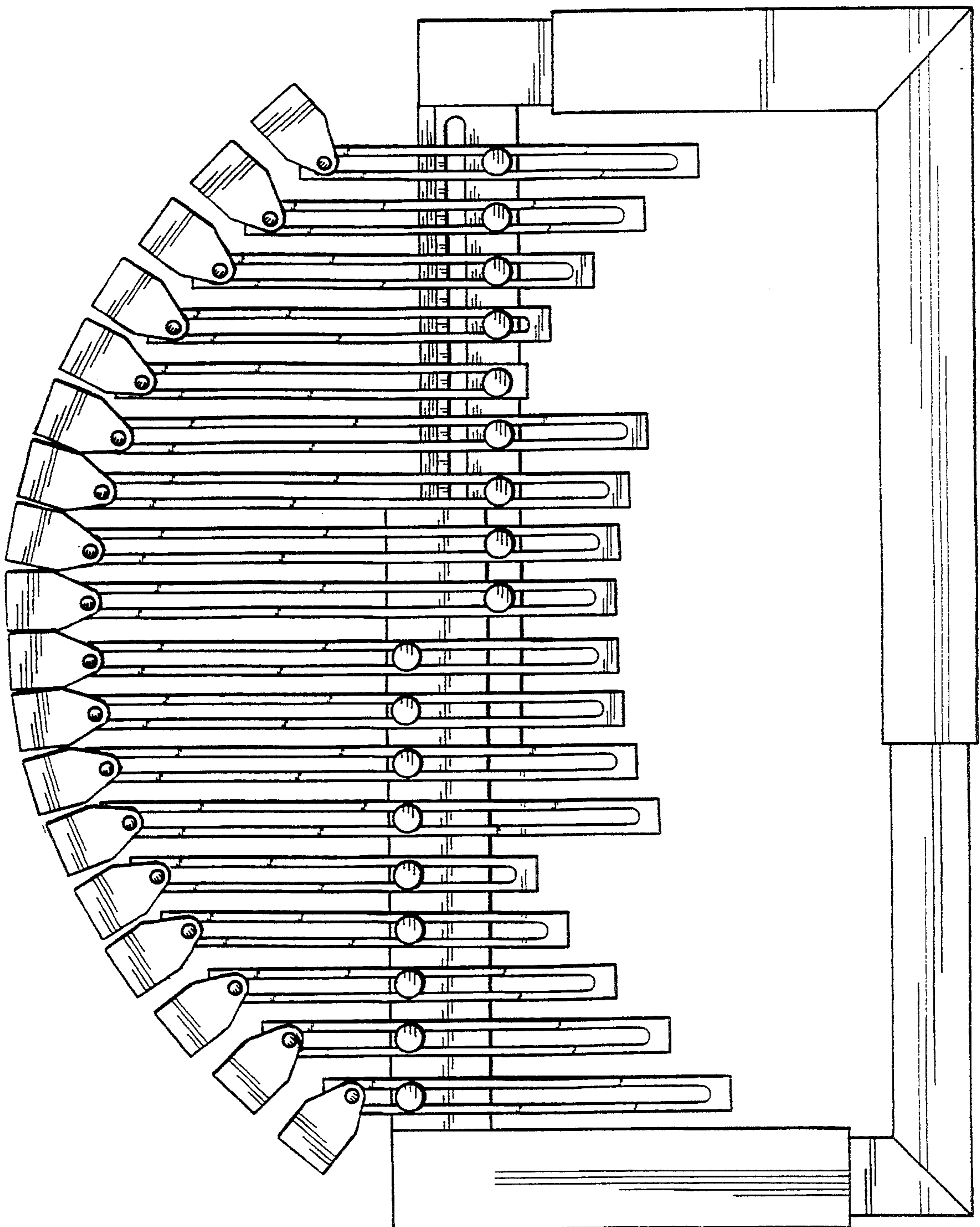


FIG. 3



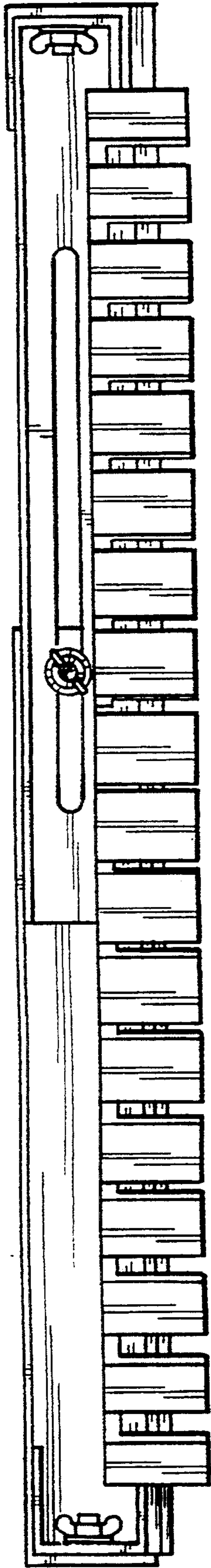


FIG. 4

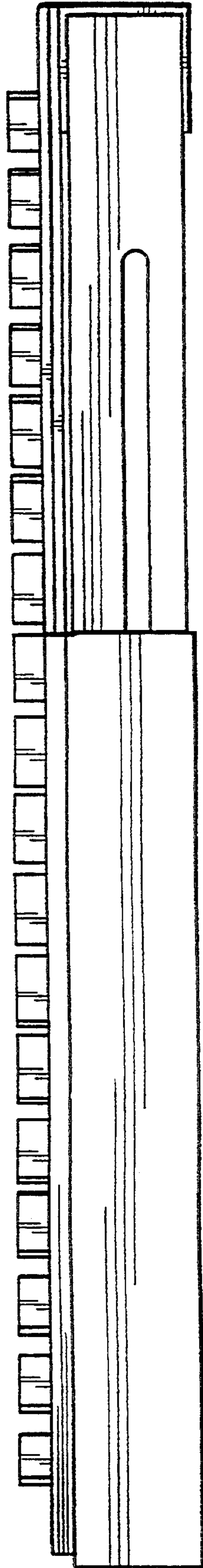


FIG. 7

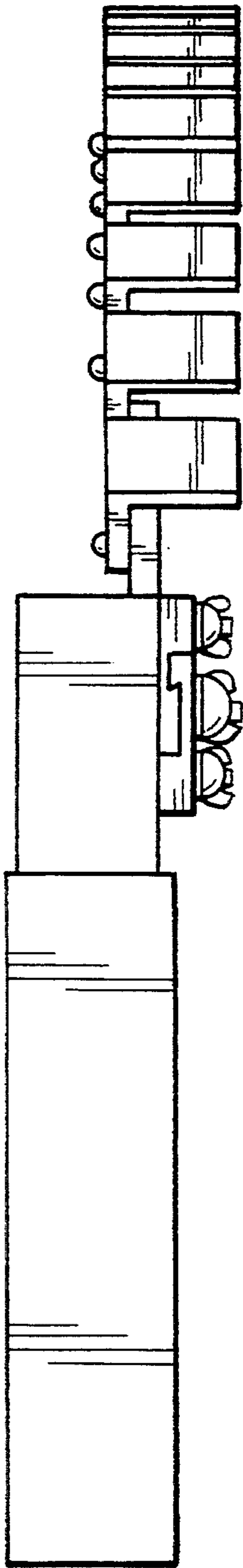


FIG. 5

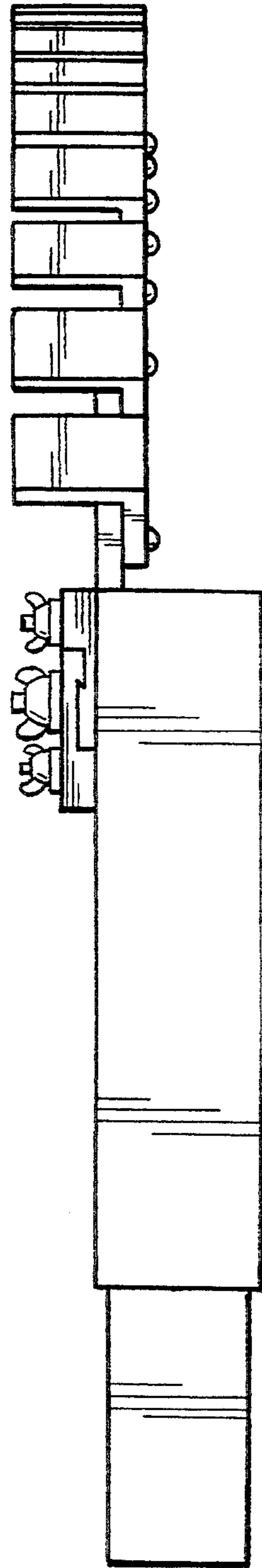


FIG. 6