



US00D359225S

United States Patent [19]

[11] Patent Number: **Des. 359,225**

Reed

[45] Date of Patent: **** Jun. 13, 1995**

[54] LIGHT MOUNT BRACKET

[76] Inventor: **William B. Reed**, 1301 E. Henderson, Cleburne, Tex. 76031

[**] Term: **14 Years**

[21] Appl. No.: **4,623**

[22] Filed: **Feb. 9, 1993**

[52] U.S. Cl. **D8/354; D26/138**

[58] Field of Search **D26/138, 140; 362/396; 248/214, 218.4, 225.31, 205.1, 209.1; D8/349, 354, 373, 380**

[56] **References Cited**

U.S. PATENT DOCUMENTS

D. 275,450	9/1984	Wegener, II	D8/373
3,998,418	12/1976	Boulanger	362/399 X
4,709,890	12/1987	Moore	248/205.1
4,795,856	1/1989	Farmer	248/218.4 X

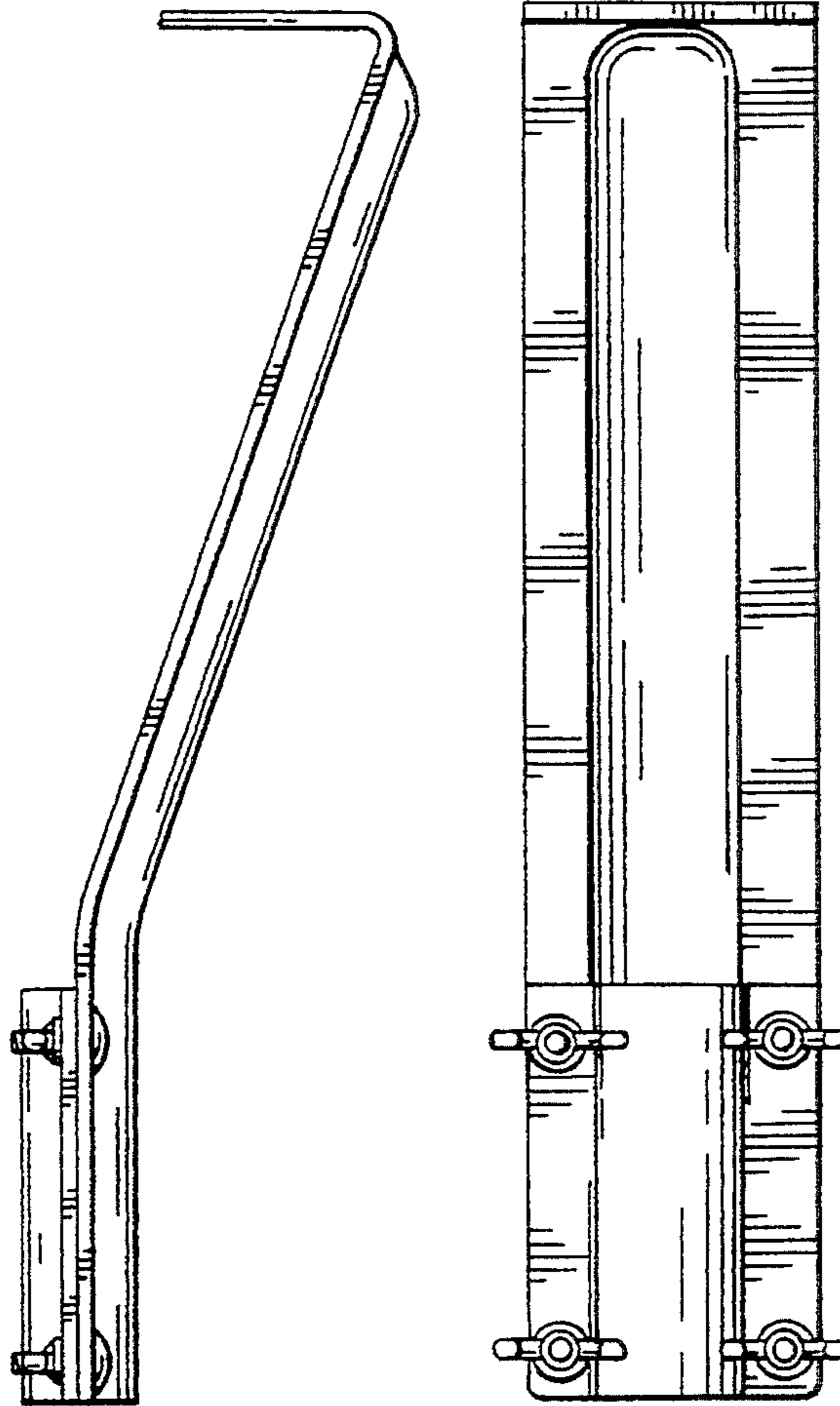
Primary Examiner—Susan J. Lucas
Attorney, Agent, or Firm—Weiner, Carrier & Burt;
Joseph P. Carrier; Irving M. Weiner

[57] **CLAIM**

The ornamental design for light mount bracket, as shown and described.

DESCRIPTION

FIG. 1 is a side elevational view of a light mount bracket showing my new design; FIG. 2 is a front elevational view thereof; FIG. 3 is a rear elevational view thereof; FIG. 4 is a top plan view thereof; FIG. 5 is a bottom plan view thereof; and, FIG. 6 is a side elevational view of a modification of my new design which is identical to FIG. 1 except that an upper end portion of the bracket is directed rearwardly rather than forwardly.



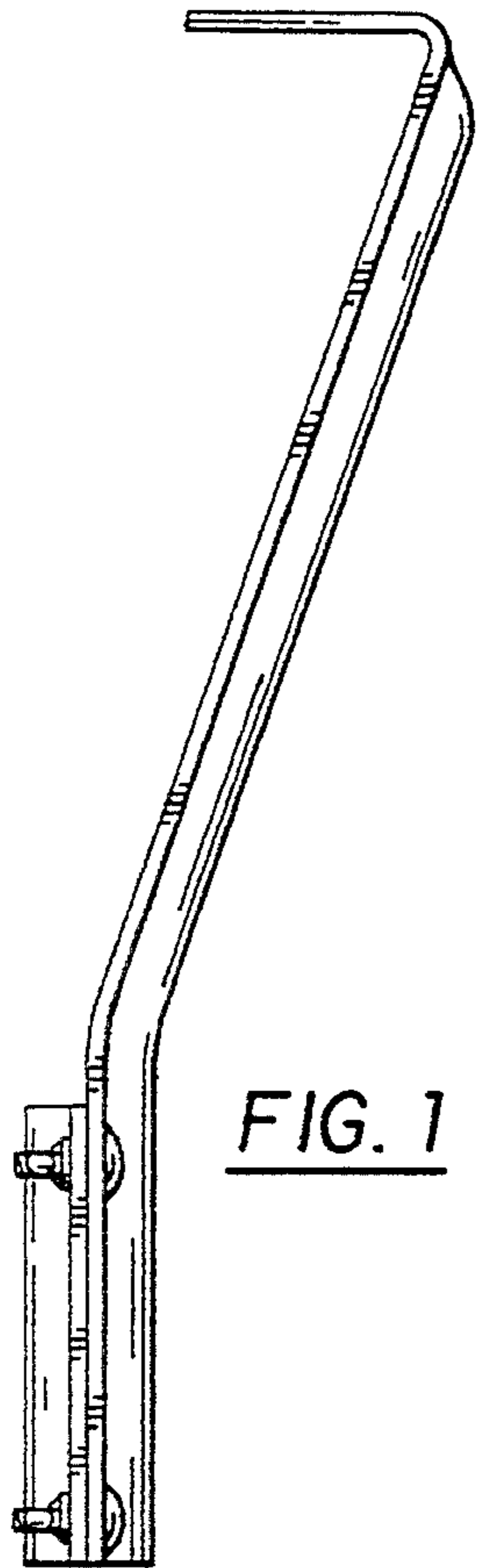


FIG. 1

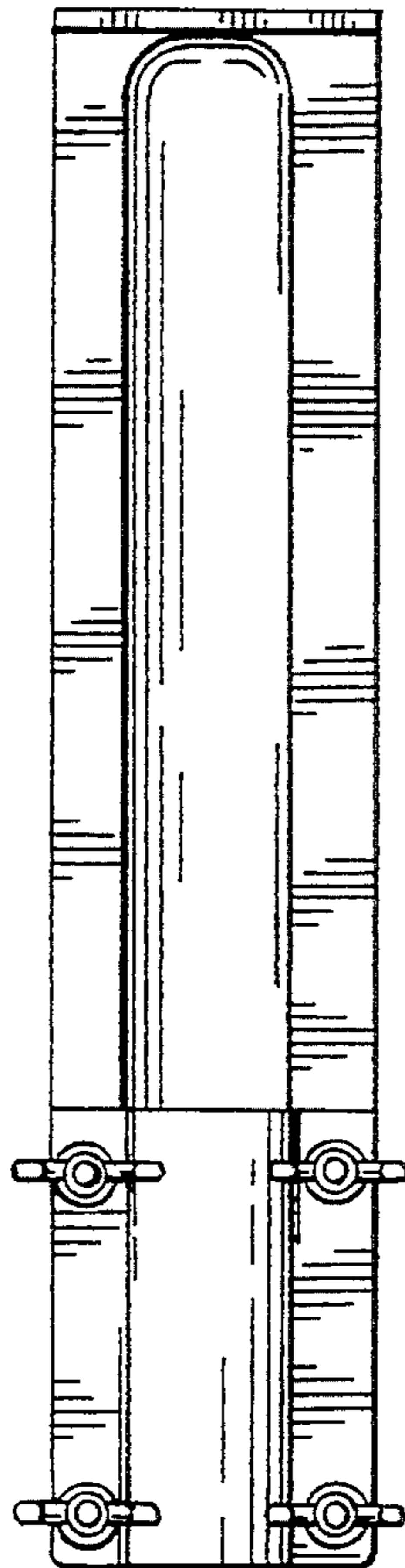


FIG. 2

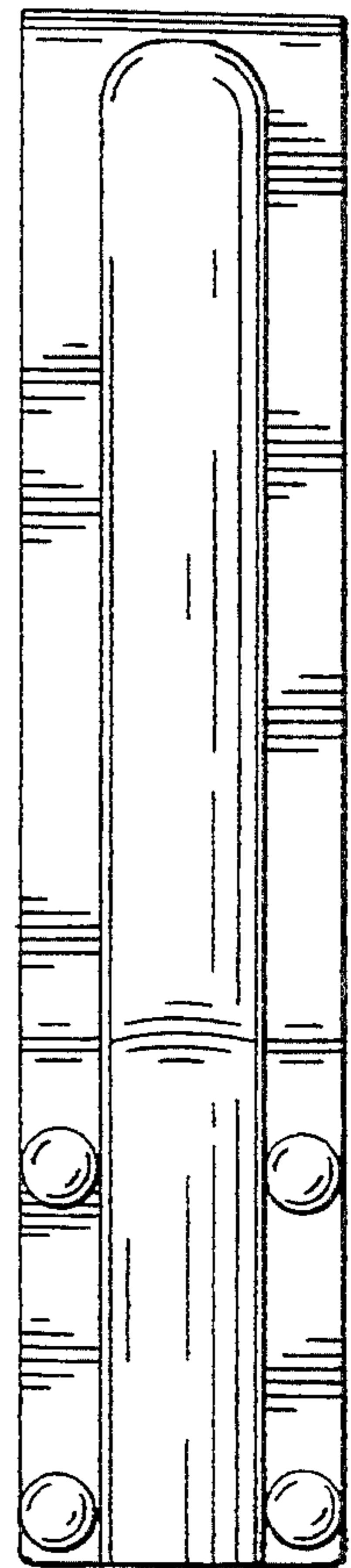


FIG. 3

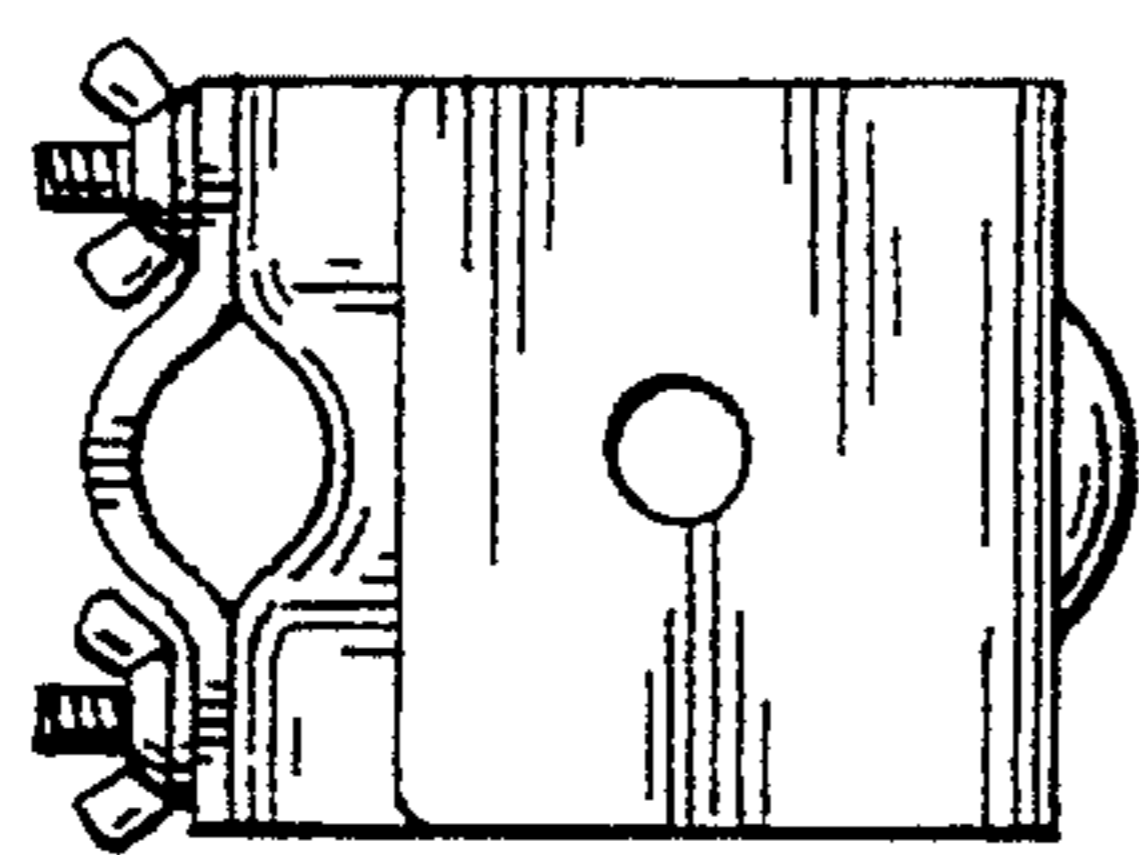


FIG. 4

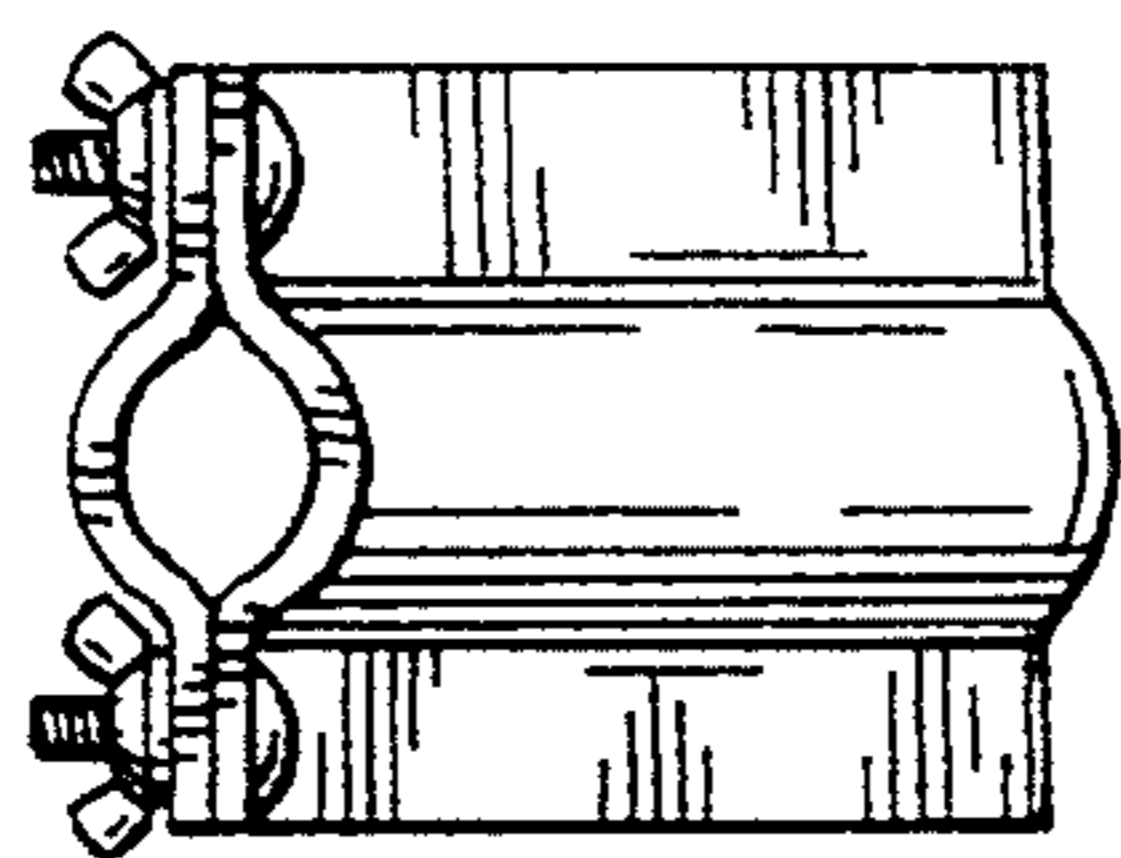


FIG. 5

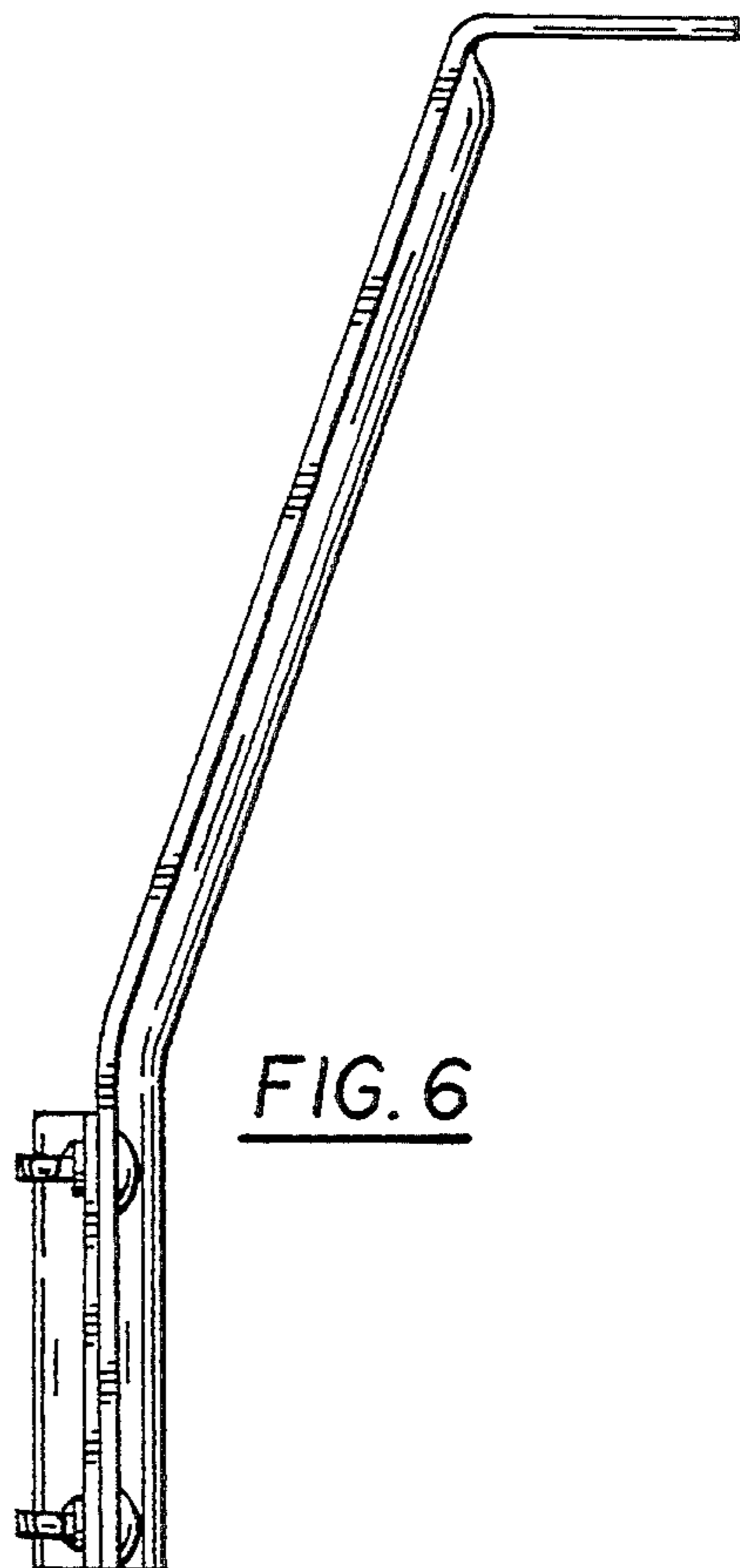


FIG. 6