



US00D359219S

United States Patent [19]

[11] Patent Number: Des. 359,219

Thomas

[45] Date of Patent: ** Jun. 13, 1995

[54] **COMBINED SHEARS, SCABBARD AND LETTER OPENER**

[75] Inventor: Dieter Thomas, Solingen, Germany

[73] Assignee: J.A. Henckels Zwillingwerke AG, Solingen, Germany

[**] Term: 14 Years

[21] Appl. No.: 22,498

[22] Filed: May 6, 1994

[30] **Foreign Application Priority Data**

Nov. 9, 1993 [DE] Germany 93 08 698.9

[52] U.S. Cl. D8/104; D8/57

[58] Field of Search D3/220; D8/57, 102-104; 30/146, 254, DIG. 3

[56] **References Cited**

U.S. PATENT DOCUMENTS

- D. 179,223 11/1956 Schwartz D8/104
- D. 190,578 6/1961 Salm et al. D3/220
- D. 234,058 1/1975 Stahel D8/57
- D. 313,157 12/1990 Evenson D8/104

FOREIGN PATENT DOCUMENTS

- 0661661 6/1938 Germany 30/254
- 0800067 8/1950 Germany 30/254

OTHER PUBLICATIONS

Gifts & Decorative Accessories, Dec. 1984 p. 134.
Sales catalog for J. A. Henckels Zwillingwerk AG, pp. 79 & 80.

Primary Examiner—Terry A. Wallace
Assistant Examiner—Adir Aronovich
Attorney, Agent, or Firm—Hill, Steadman & Simpson

[57] **CLAIM**

The ornamental design for a combined shears, scabbard and letter opener, as shown and described.

DESCRIPTION

FIG. 1 is a perspective view of a combined shears, scabbard and letter opener showing my new design; FIG. 2 is a perspective view of the combined scabbard and letter opener, the shears omitted for clarity of illustration;

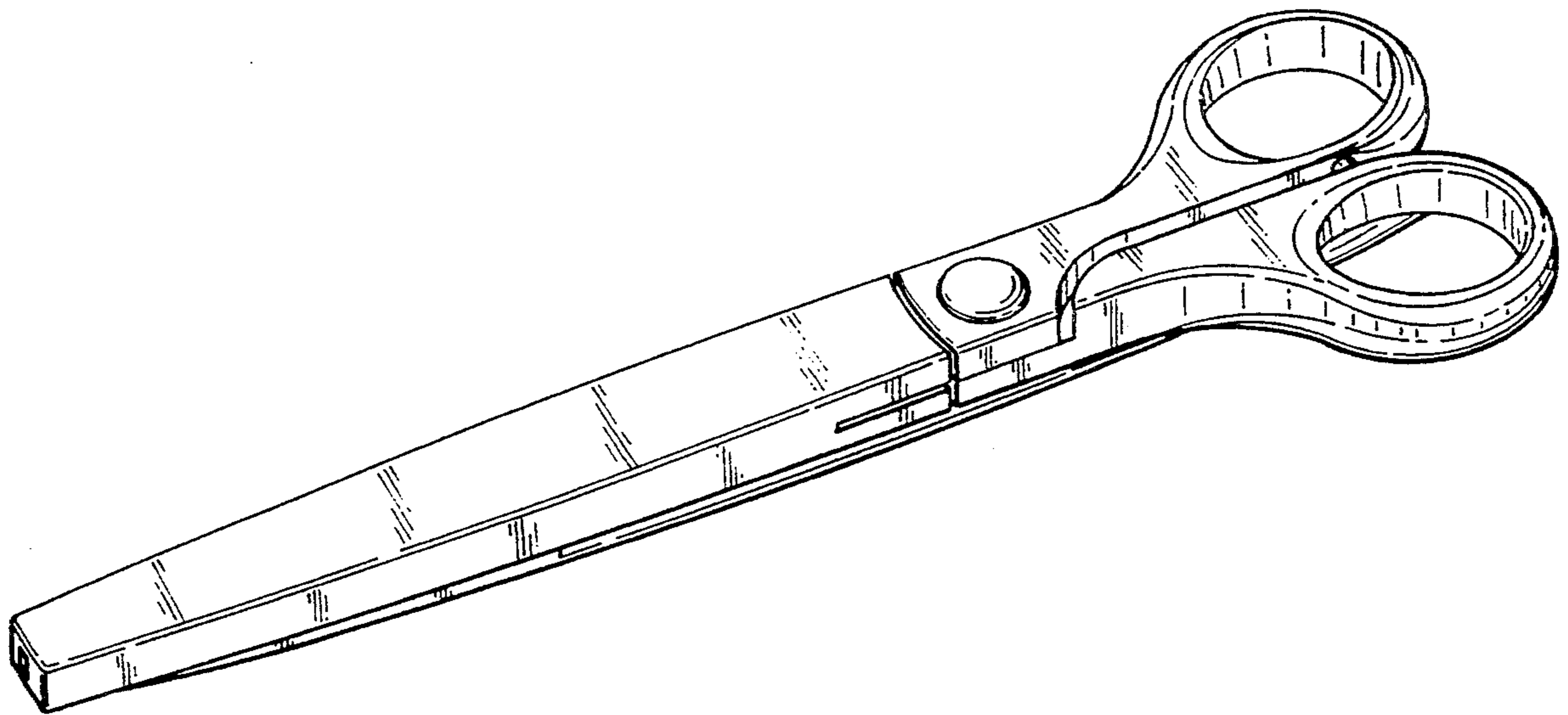
FIG. 3 is a perspective view of the shears, the scabbard and letter opener omitted for clarity of illustration; FIG. 4 is a top plan view of the shears of FIG. 3; FIG. 5 is a side elevational view taken on the left side of FIG. 4;

FIG. 6 is an end view of the handle end of the shears; FIG. 7 is an end view of the point end of the shears of FIG. 4;

FIG. 8 is a bottom plan view of the shears of FIG. 3; FIG. 9 is a side elevational view taken on the right of FIG. 4;

FIG. 10 is a left side elevational view of the combined scabbard and letter opener of FIG. 2, the shears omitted for clarity of illustration;

FIG. 11 is a top plan view thereof; FIG. 12 is a closed end elevational view thereof; FIG. 13 is an open end elevational view thereof; FIG. 14 is a right side elevational view thereof; and, FIG. 15 is a bottom plan view thereof.



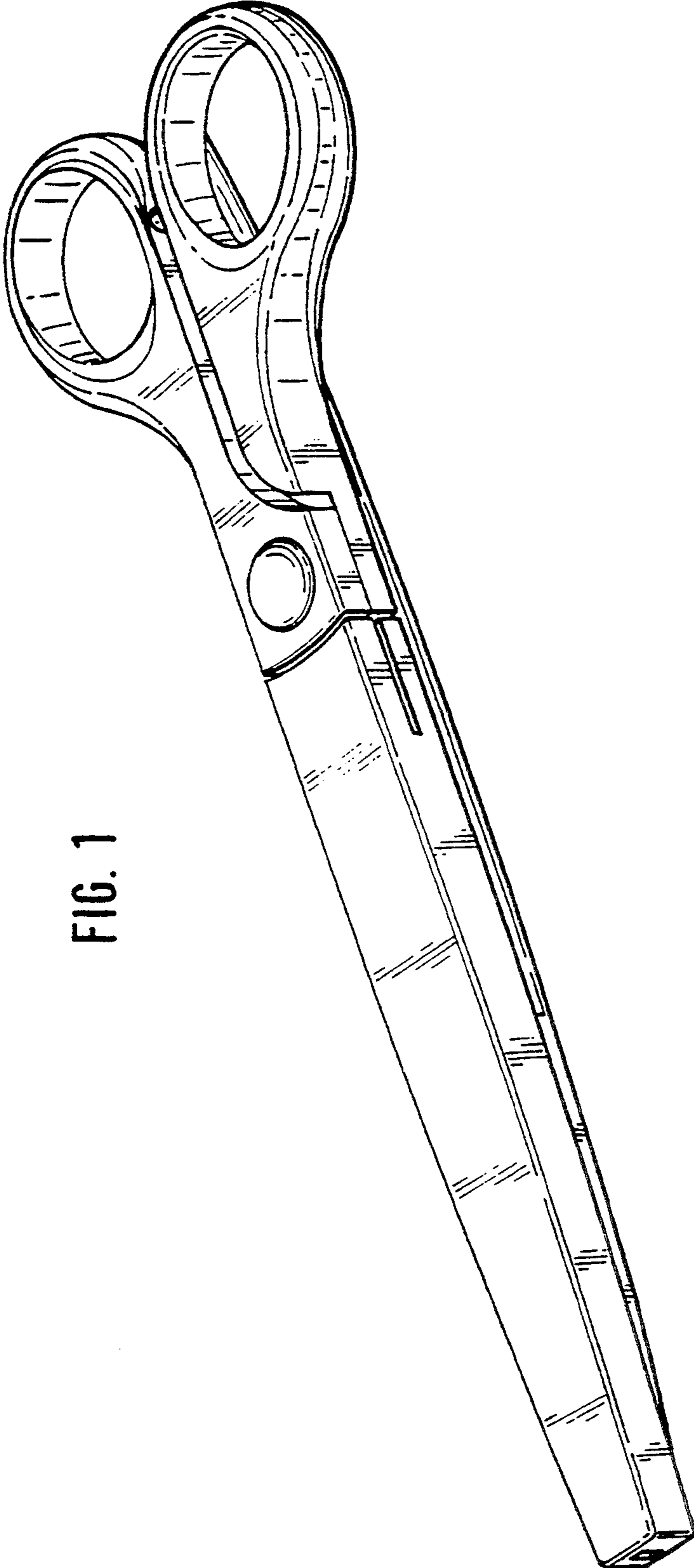


FIG. 1

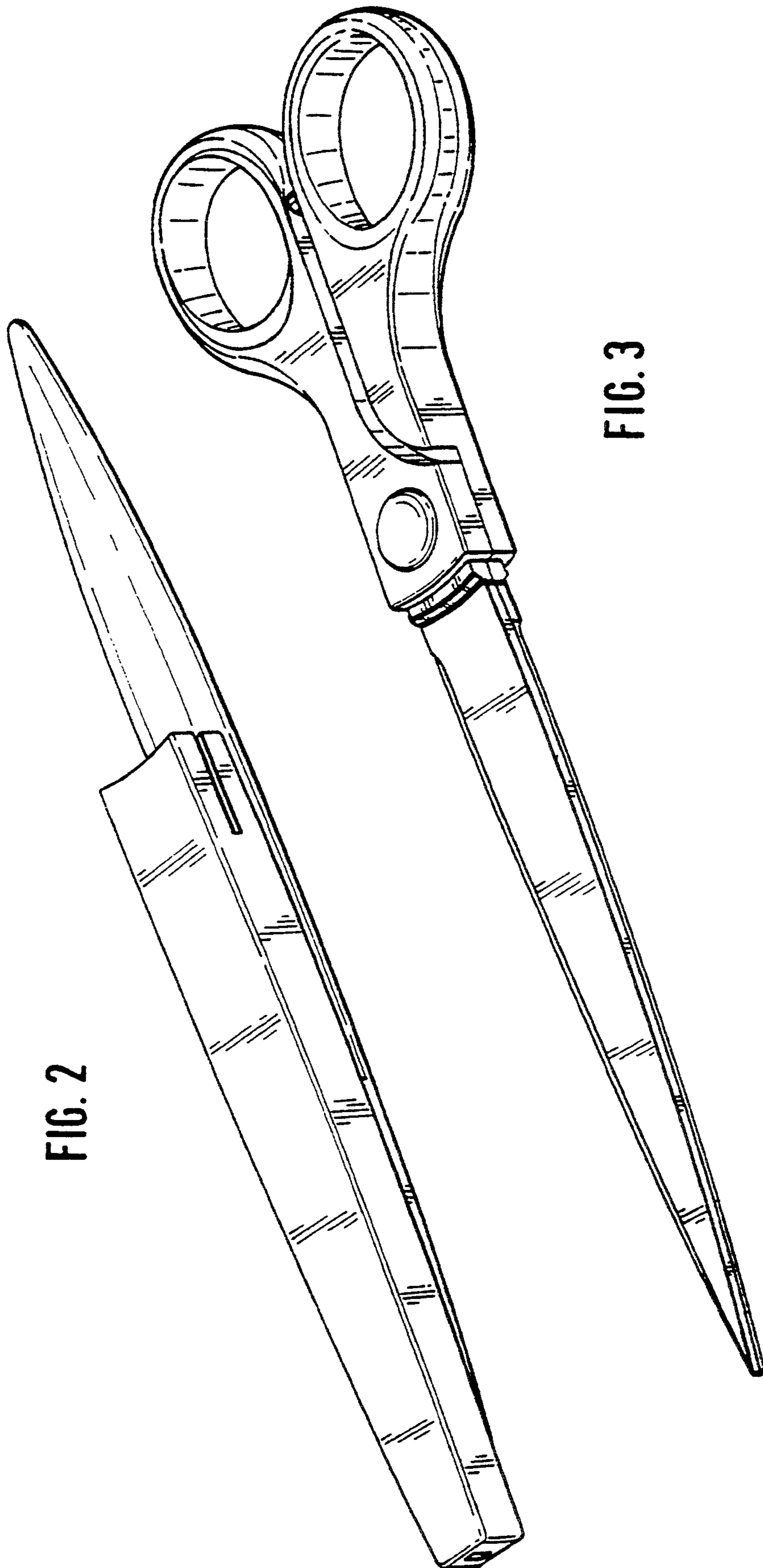


FIG. 2

FIG. 3

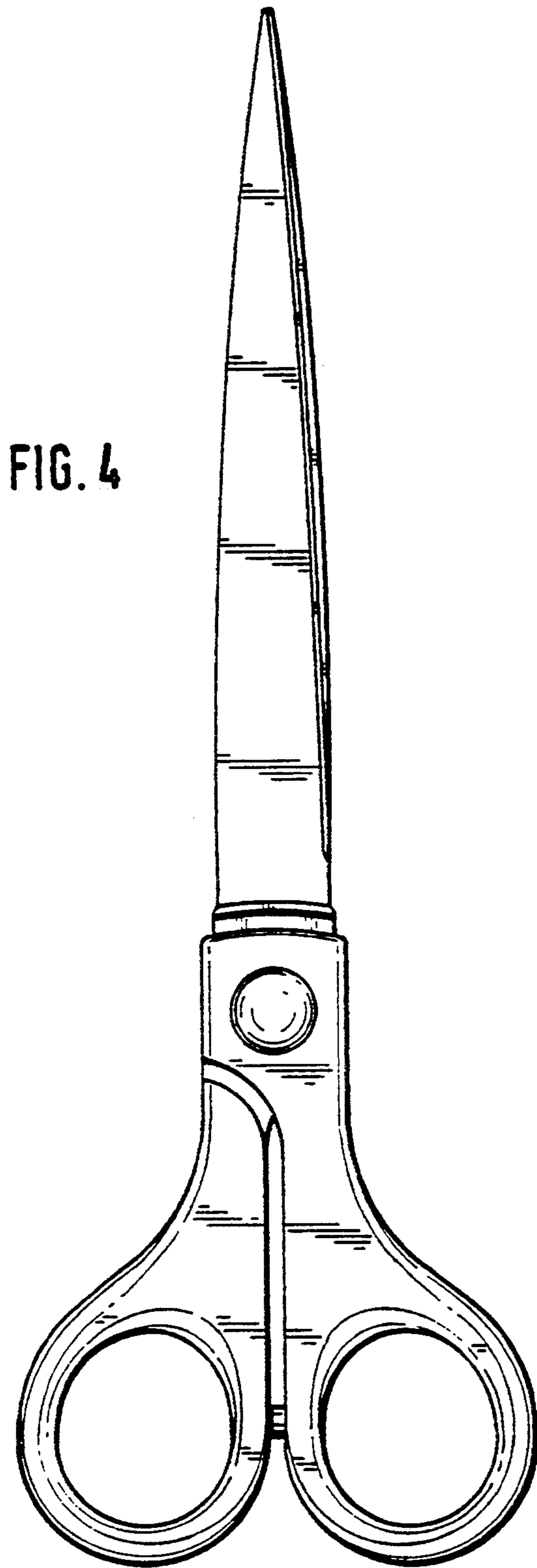


FIG. 4

FIG. 5

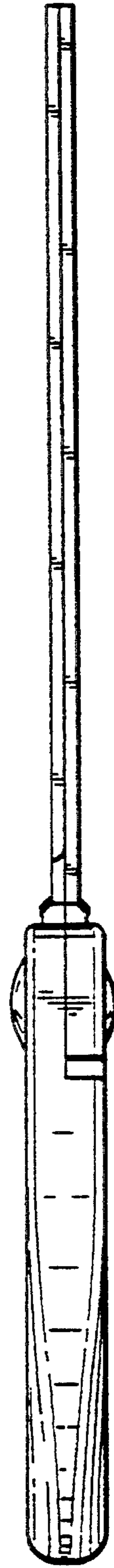


FIG. 6



FIG. 7

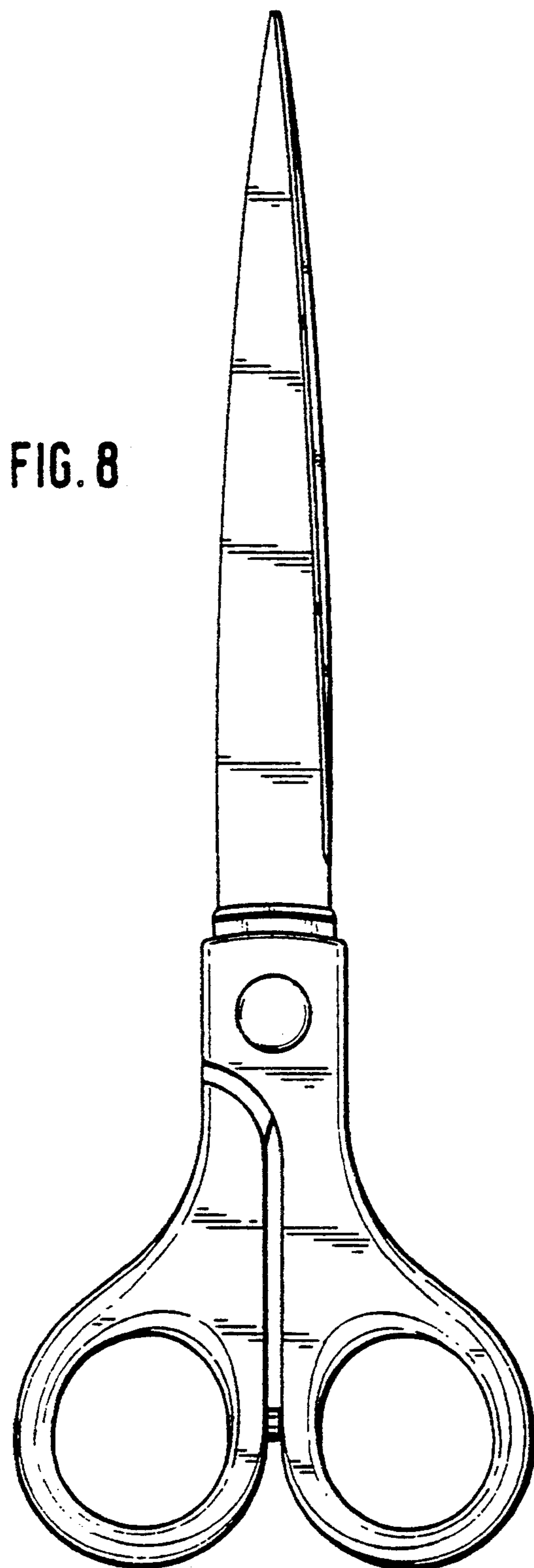


FIG. 8

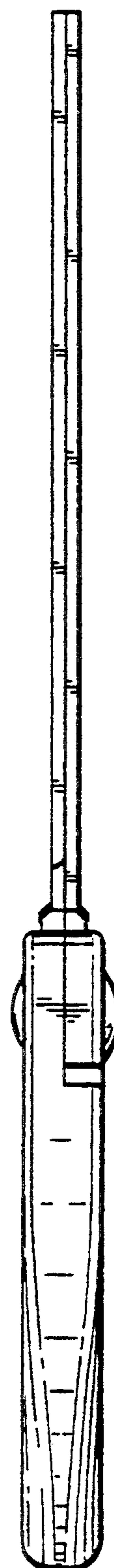


FIG. 9

FIG. 10



FIG. 11

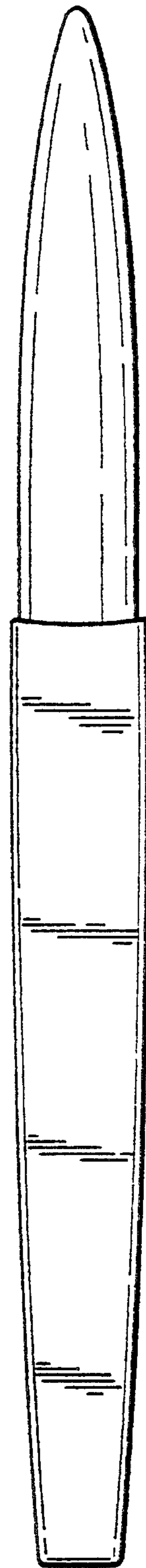


FIG. 12

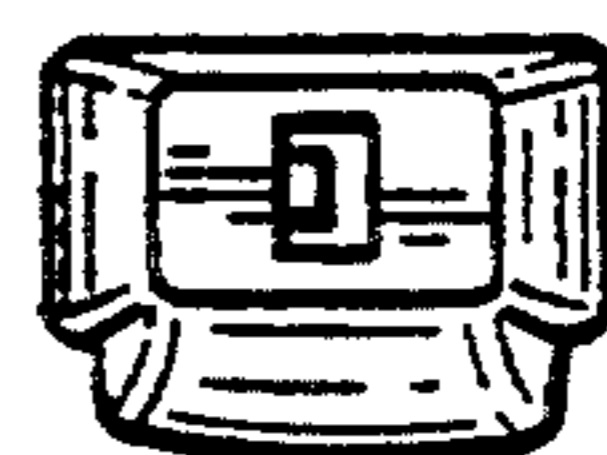


FIG. 13



FIG. 14



FIG. 15

