



US00D359218S

United States Patent [19]

[11] Patent Number: Des. 359,218

Jones

[45] Date of Patent: ** Jun. 13, 1995

[54] EXTENDER HANDLE FOR A CHAIN SAW

Attorney, Agent, or Firm—Middleton & Reutlinger;
James C. Eaves, Jr.

[76] Inventor: Thomas J. Jones, 3007 Crone Rd.,
Borden, Ind. 47106

[57] CLAIM

[**] Term: 14 Years

The ornamental design for an extender handle for a chain saw, as shown and described.

[21] Appl. No.: 25,180

DESCRIPTION

[22] Filed: Jul. 5, 1994

FIG. 1 is a front top perspective view of an extender handle for a chain saw, the broken line showing of the saw is for illustrative purpose only and form no part of the claimed design;

[52] U.S. Cl. D8/70

[58] Field of Search D8/70, 61; 30/371, 293,
30/381, 373, 374, 386, 389, 383; 144/312, 208 J

FIG. 2 is a top view, as related to the back, of the extender handle of FIG. 1, the handle being 180 degrees from the view of FIG. 1;

[56] References Cited

U.S. PATENT DOCUMENTS

D. 351,977	11/1994	Snoop	D8/70
3,839,795	10/1974	Dooley	30/383
4,964,217	10/1990	Siede et al.	30/381

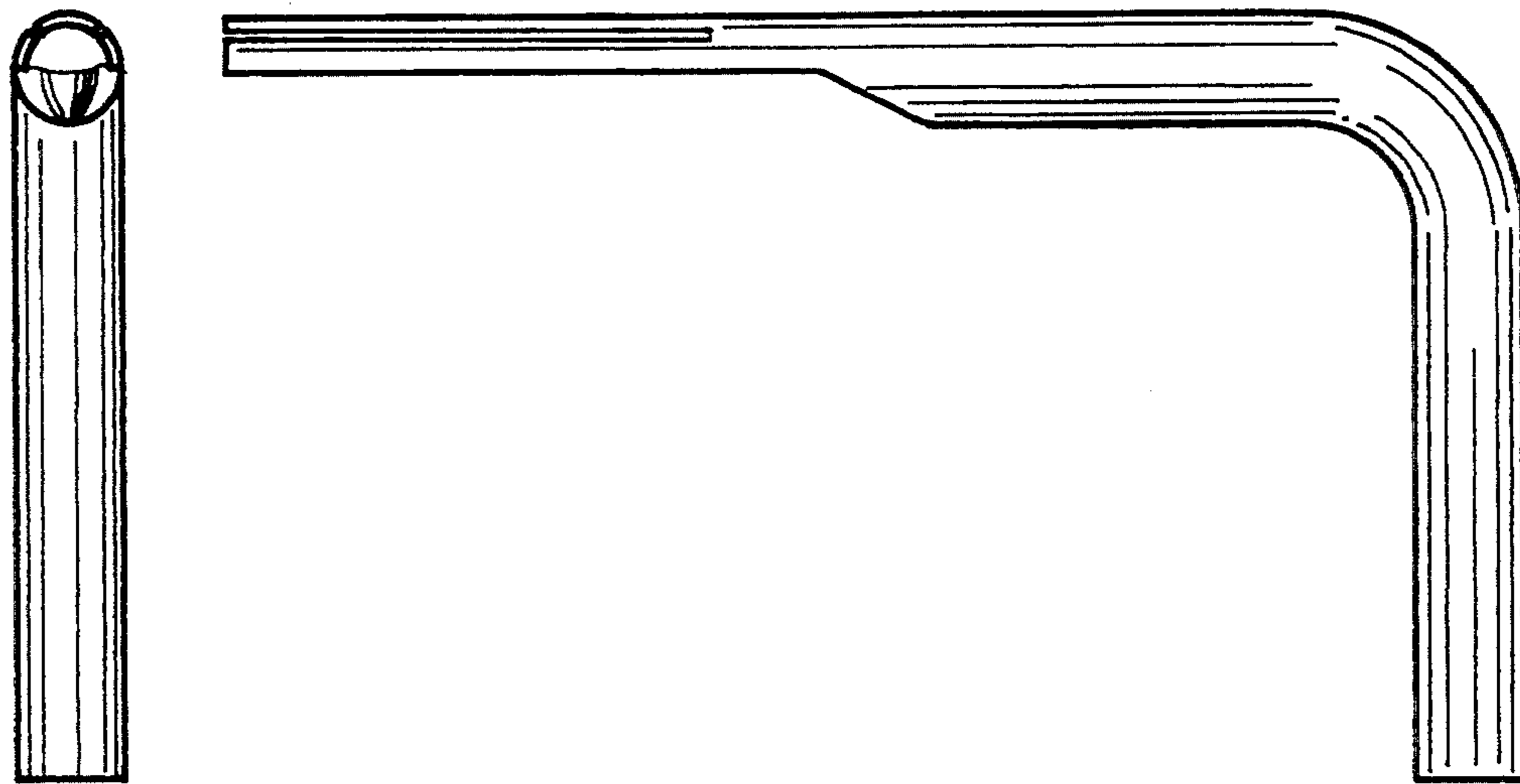
FIG. 3 is a left view, as related to the back, of the extender handle of FIG. 1;

FIG. 4 is a back view of the extender handle of FIG. 1;

FIG. 5 is a right view, as related to the back, of the extender handle of FIG. 1; and,

FIG. 6 is a bottom view of the extender handle of FIG. 1.

Primary Examiner—Alan P. Douglas
Assistant Examiner—Jeffrey H. Musgrove



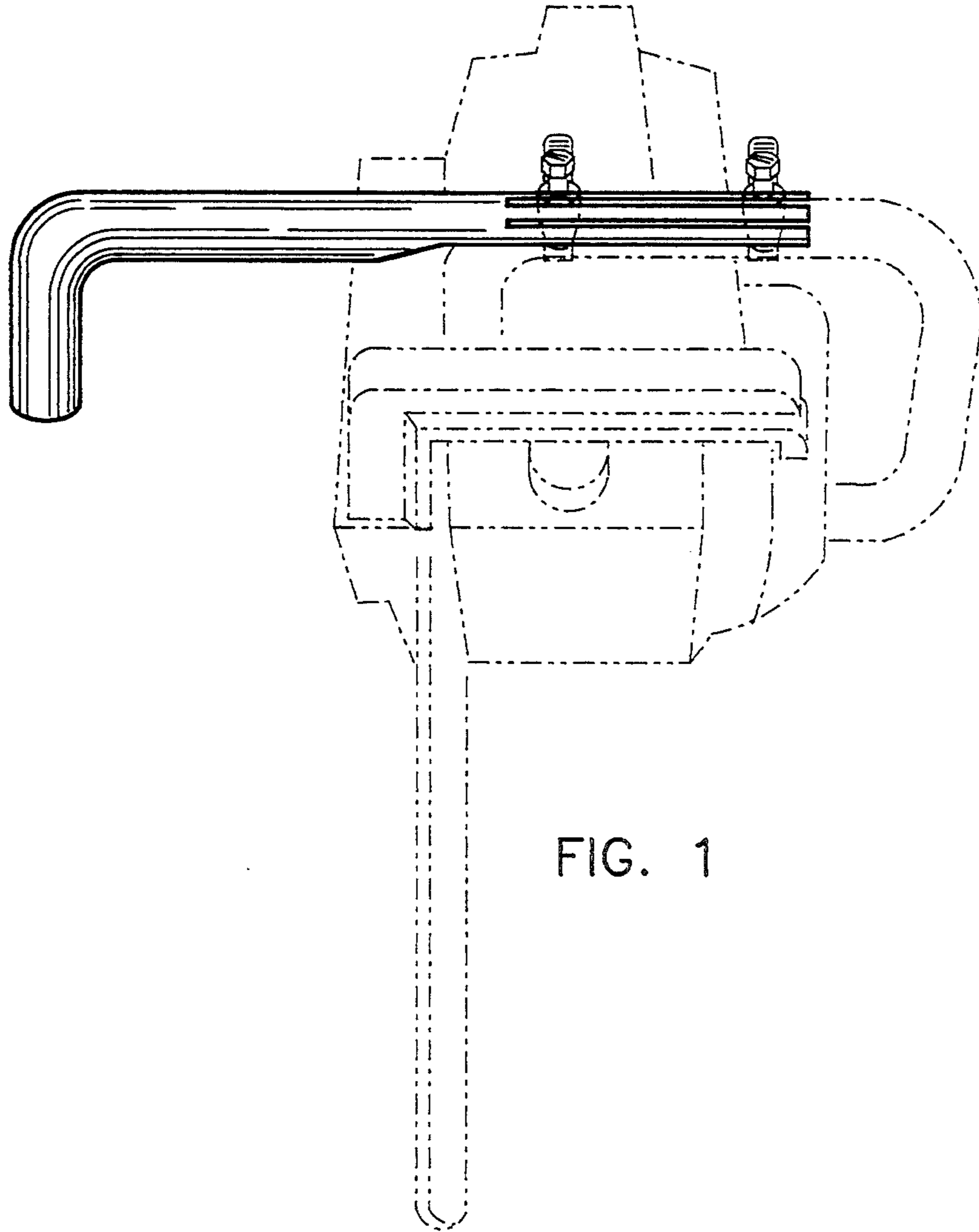


FIG. 1

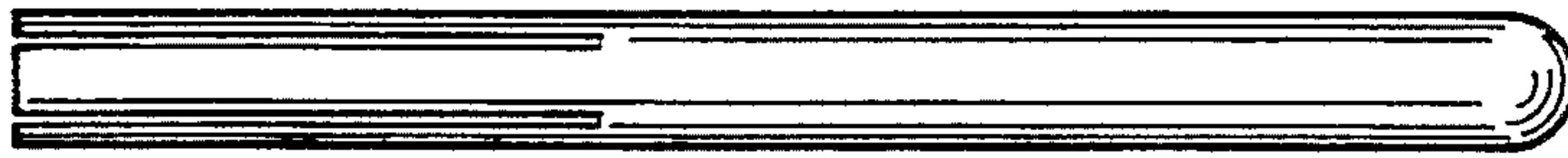


FIG. 2



FIG. 3

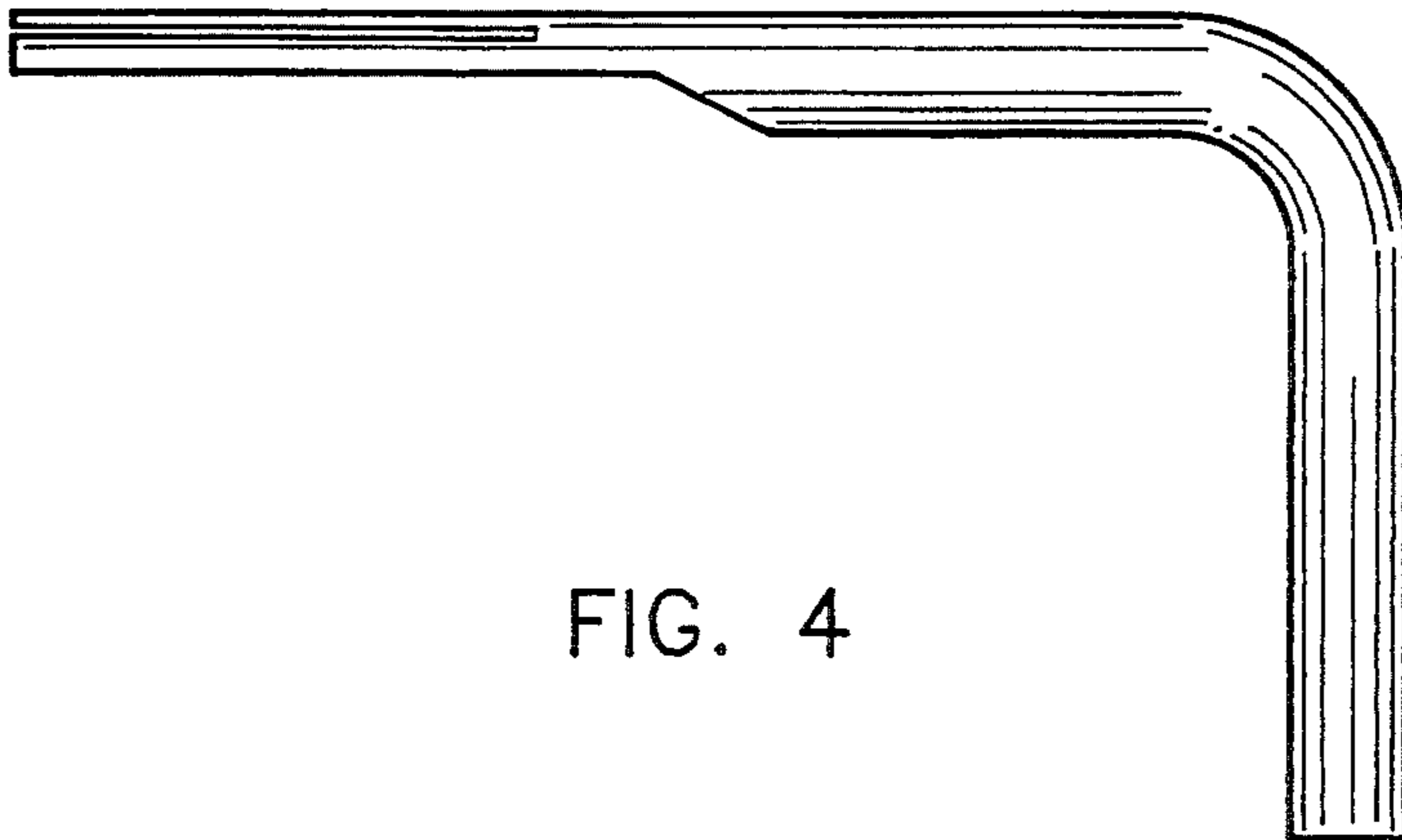


FIG. 4

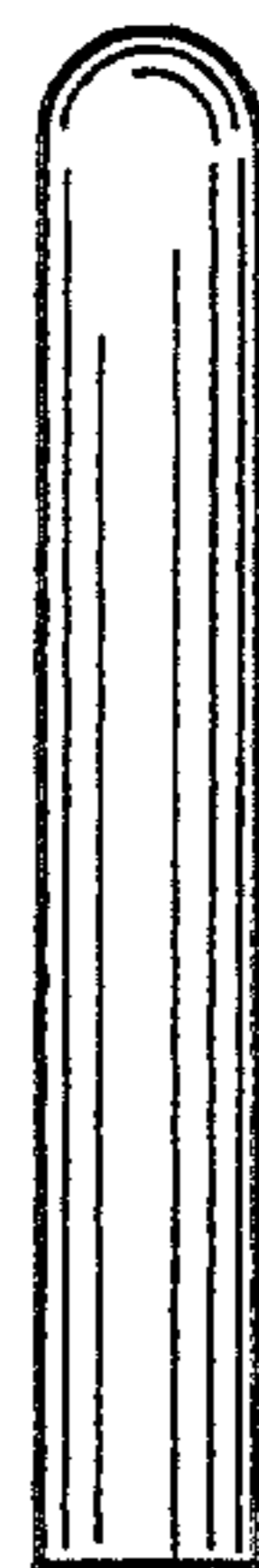


FIG. 5



FIG. 6