



US00D359215S

United States Patent [19]

[11] Patent Number: Des. 359,215

Zurwelle

[45] Date of Patent: ** Jun. 13, 1995

[54] **CORDLESS POWER TOOL**

[75] Inventor: Donald W. Zurwelle, Lutherville, Md.

[73] Assignee: Black & Decker Inc., Newark, Del.

[**] Term: 14 Years

[21] Appl. No.: 23,814

[22] Filed: Jun. 1, 1994

Related U.S. Application Data

[63] Continuation of Ser. No. 11,817, Aug. 13, 1993, abandoned.

[52] U.S. Cl. D8/68

[58] Field of Search D8/68, 61; 81/54, 57.11, 81/57.14, 44; 173/170; 408/124, 125

[56] **References Cited**

U.S. PATENT DOCUMENTS

D. 295,714	5/1988	Sasaki et al.	D8/68
D. 296,412	6/1988	Nelson et al.	D8/68
D. 303,204	9/1989	Marks	D8/68
D. 303,488	9/1989	Fonck	D8/68
D. 315,282	3/1991	Schmidt et al.	D8/68
D. 331,356	12/1992	Amsberry	D8/68
D. 344,000	2/1994	Shibata et al.	D8/68

Primary Examiner—Alan P. Douglas

Assistant Examiner—J. H. Musgrove

Attorney, Agent, or Firm—Dennis A. Dearing; John D. Del Ponti; Charles E. Yocum

[57] **CLAIM**

The ornamental design for cordless power tool, as shown and described.

DESCRIPTION

FIG. 1 is a right side elevational view of one embodiment of a cordless power tool showing my new design. The left side elevational view is a mirror image of the right side elevational view;

FIG. 2 is a top plan view thereof;

FIG. 3 is a bottom plan view thereof;

FIG. 4 is a front elevational view thereof;

FIG. 5 is a rear elevational view thereof;

FIG. 6 is a right side elevational view of second embodiment of a cordless power tool showing my new

design. The left side elevational view is a mirror image of the right side elevational view;

FIG. 7 is a top plan view thereof;

FIG. 8 is a bottom plan view thereof;

FIG. 9 is a front elevational view thereof;

FIG. 10 is a rear elevational view thereof;

FIG. 11 is a right side elevational view of third embodiment of a cordless power tool showing my new design. The left side elevational view is a mirror image of the right side elevational view;

FIG. 12 is a top plan view thereof;

FIG. 13 is a bottom plan view thereof.

FIG. 14 is a front elevational view thereof;

FIG. 15 is a rear elevational view thereof;

FIG. 16 is a right side elevational view of fourth embodiment of a cordless power tool showing my new design. The left side elevational view is a mirror image of the right side elevational view;

FIG. 17 is a top plan view thereof;

FIG. 18 is a bottom plan view thereof;

FIG. 19 is a front elevational view thereof;

FIG. 20 is a rear elevational view thereof;

FIG. 21 is a right side elevational view of fifth embodiment of a cordless power tool showing my new design. The left side elevational view is a mirror image of the right side elevational view;

FIG. 22 is a top plan view thereof;

FIG. 23 is a bottom plan view thereof;

FIG. 24 is a front elevational view thereof;

FIG. 25 is a rear elevational view thereof;

FIG. 26 is a right side elevational view of sixth embodiment of a cordless power tool showing my new design. The left side elevational view is a mirror image of the right side elevational view;

FIG. 27 is a top plan view thereof;

FIG. 28 is a bottom plan view thereof;

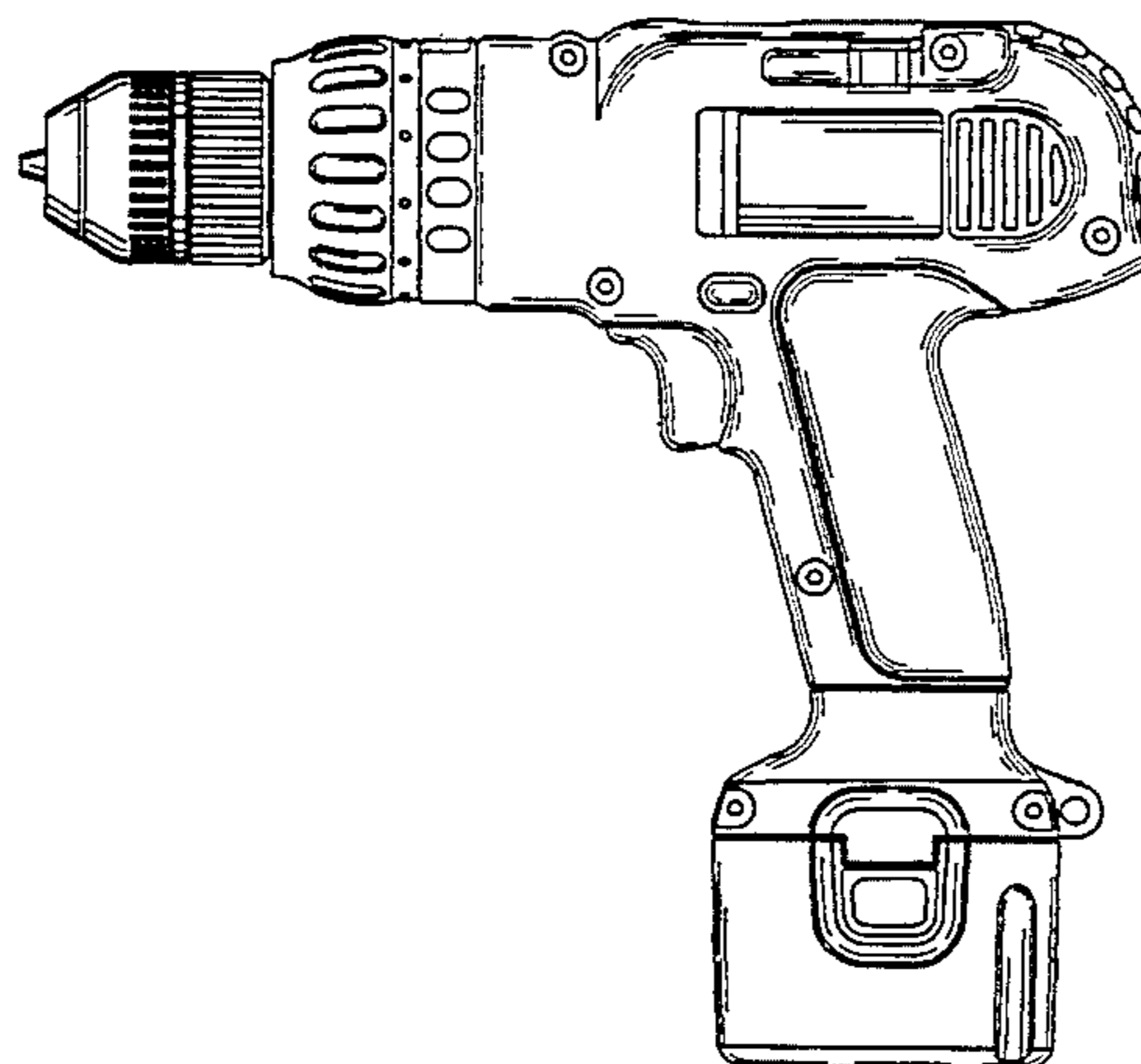
FIG. 29 is a front elevational view thereof;

FIG. 30 is a rear elevational view thereof;

FIG. 31 is a right side elevational view of seventh embodiment of a cordless power tool showing my new design. The left side elevational view is a mirror image of the right side elevational view;

FIG. 32 is a top plan view thereof;

(List continued on next page.)



Des. 359,215

Page 2

FIG. 33 is a bottom plan view thereof;
FIG. 34 is a front elevational view thereof;
FIG. 35 is a rear elevational view thereof;
FIG. 36 is a right side elevational view of eighth embodiment of a cordless power tool showing my new design. The left side elevational view is a mirror image of the right side elevational view;
FIG. 37 is a top plan view thereof;
FIG. 38 is a bottom plan view thereof;

FIG. 39 is a front elevational view thereof;
FIG. 40 is a rear elevational view thereof;
FIG. 41 is a right side elevational view of ninth embodiment of a cordless power tool showing my new design. The left side elevational view is a mirror image of the right side elevational view;
FIG. 42 is a top plan view thereof;
FIG. 43 is a bottom plan view thereof;
FIG. 44 is a front elevational view thereof; and,
FIG. 45 is a rear elevational view thereof.

FIG. 2

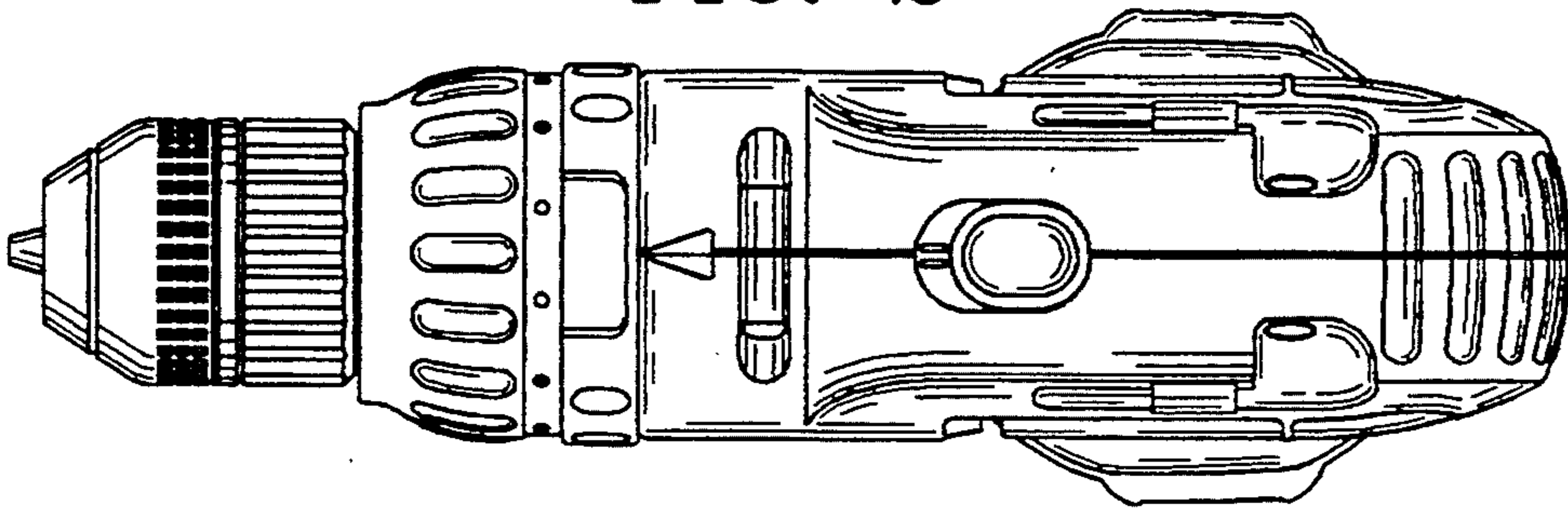


FIG. 1

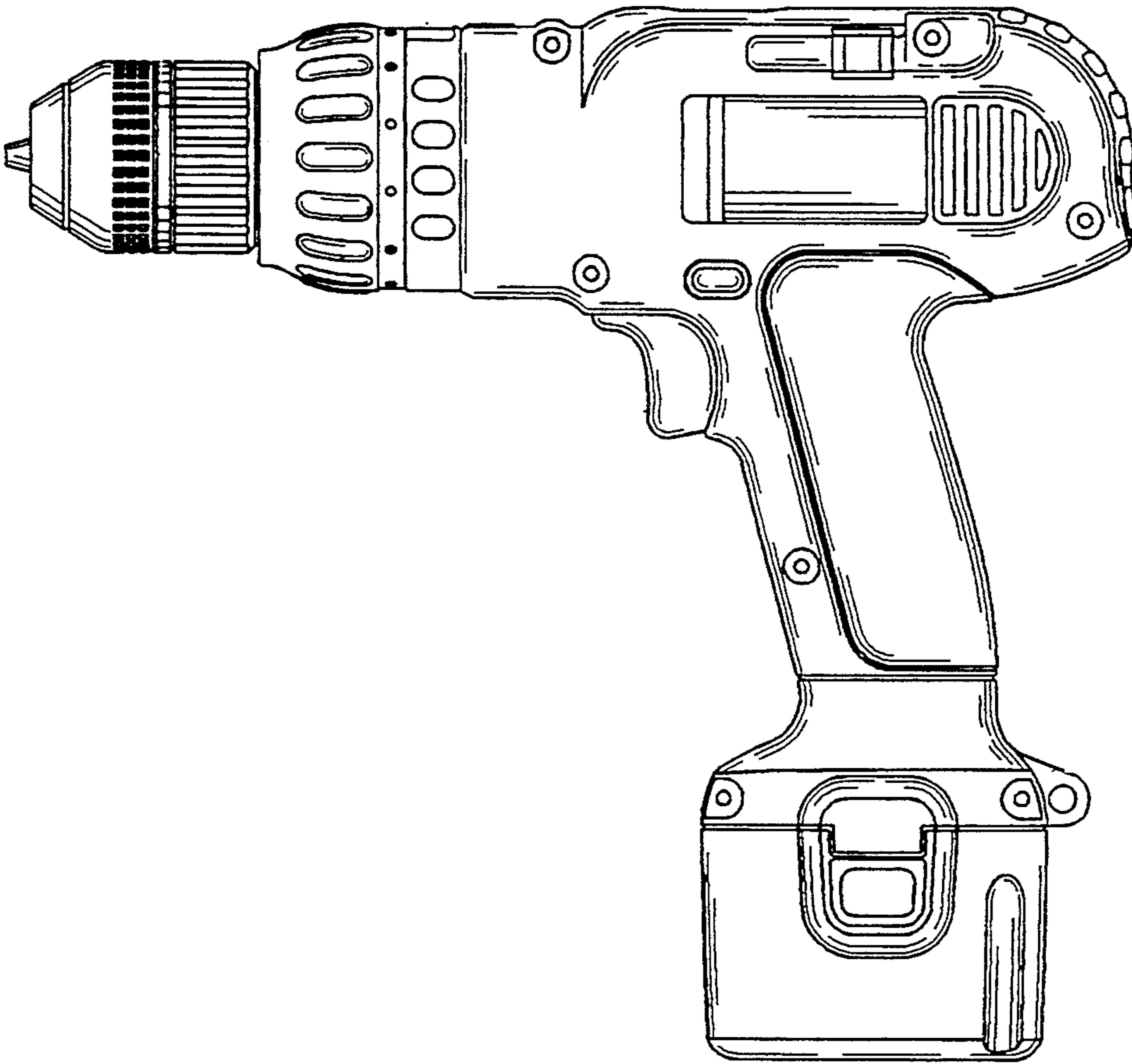


FIG. 3

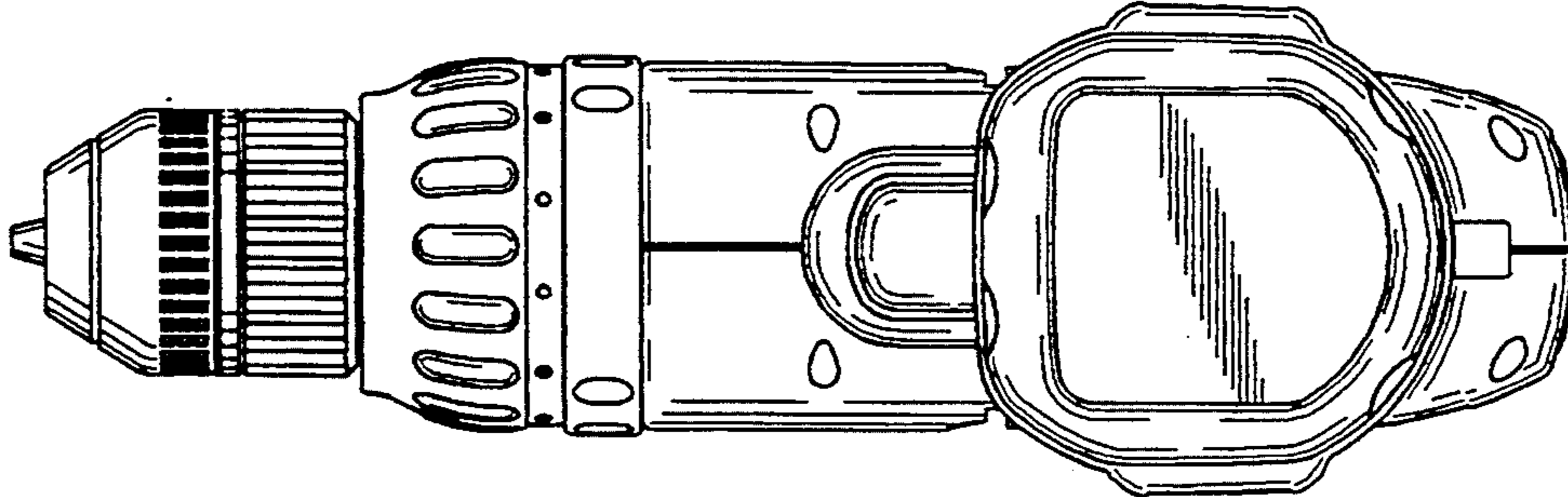


FIG. 4

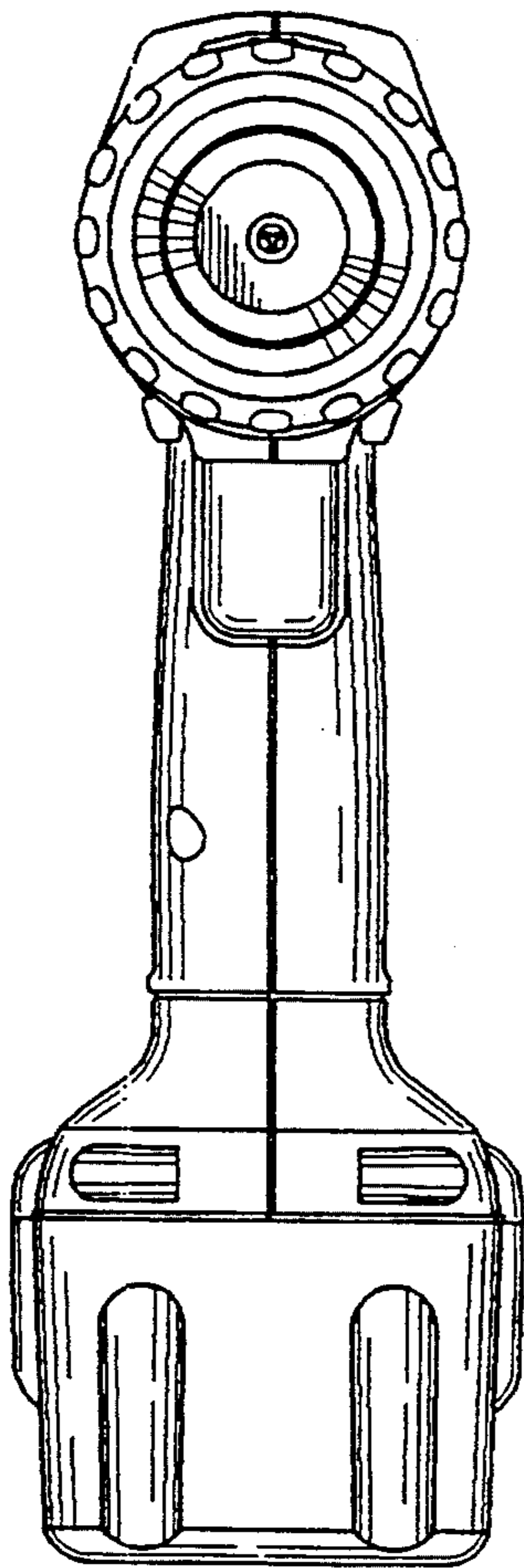


FIG. 5

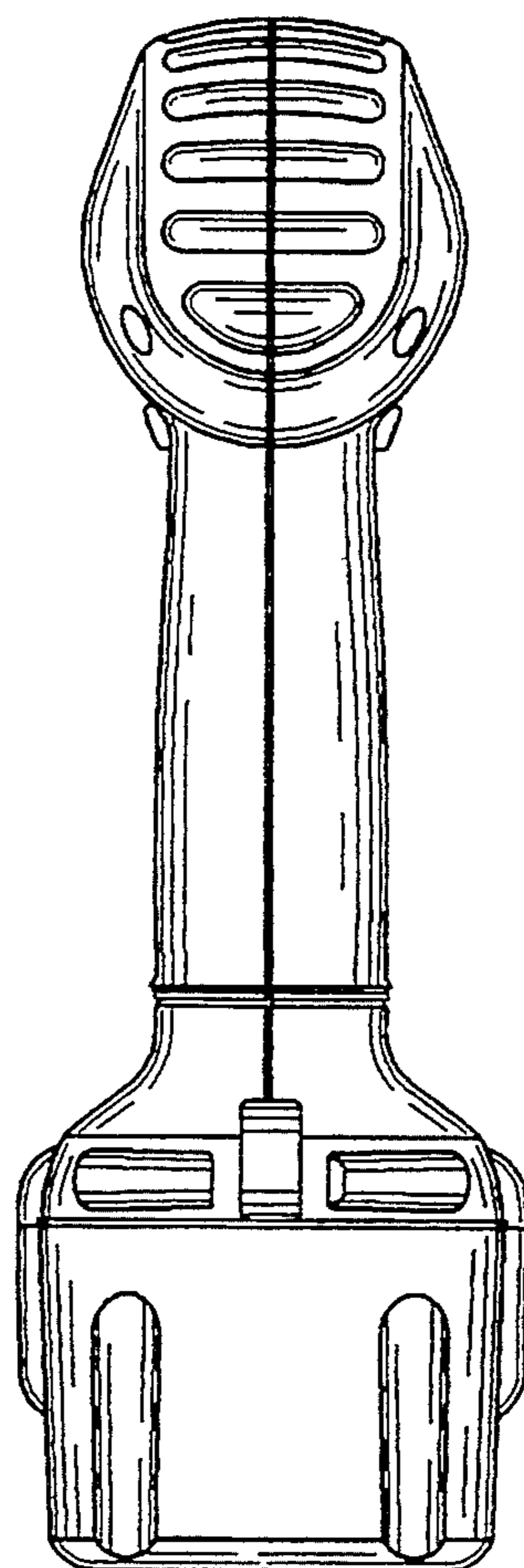


FIG. 7

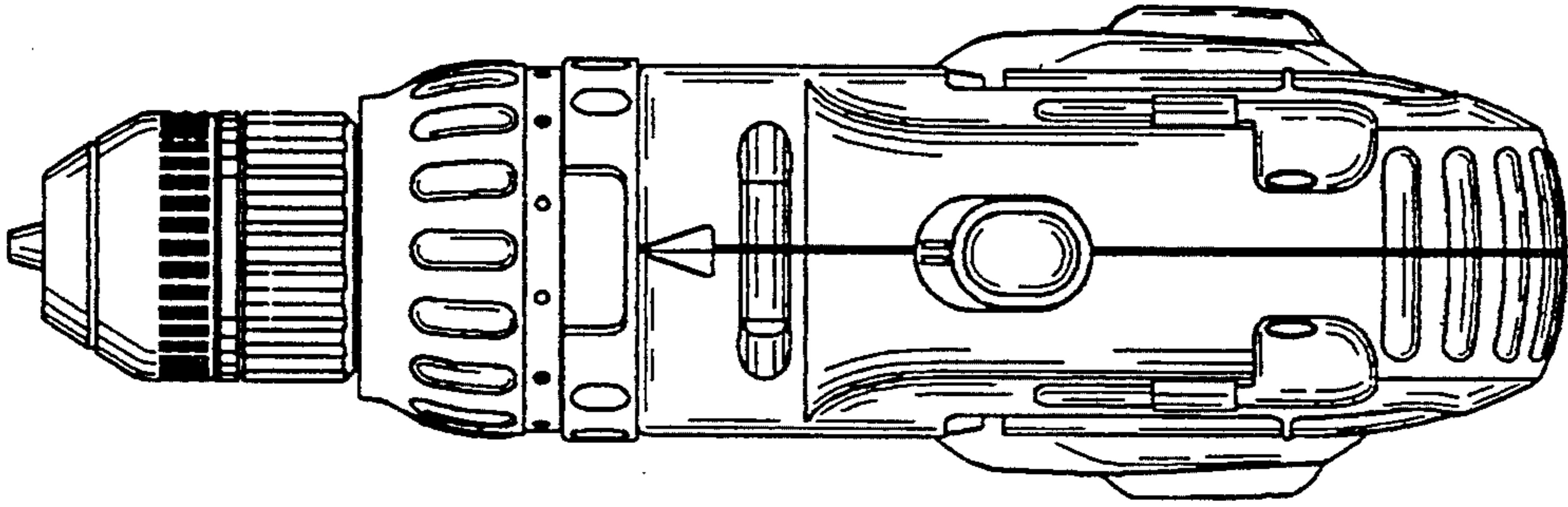


FIG. 6

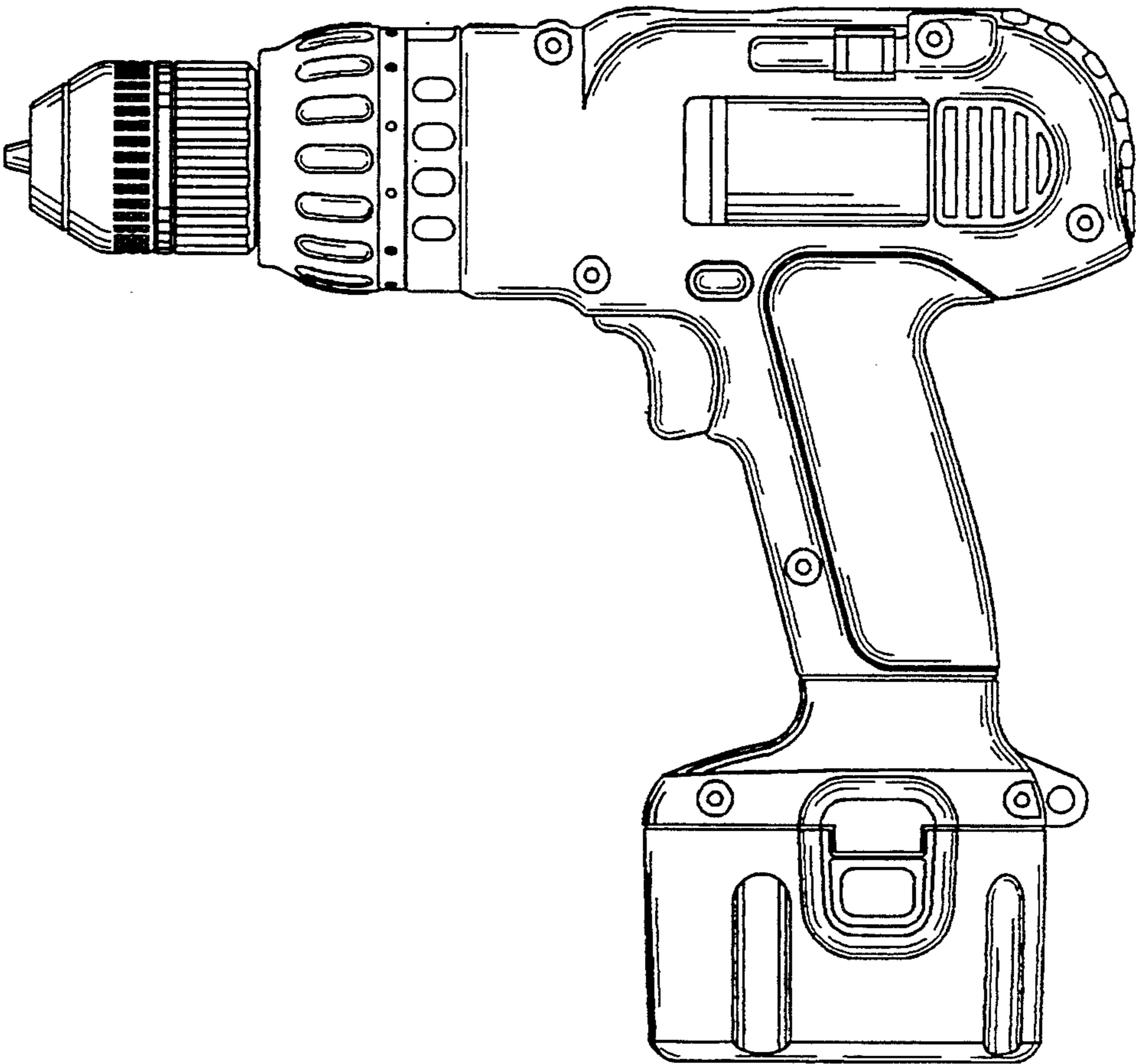


FIG. 8

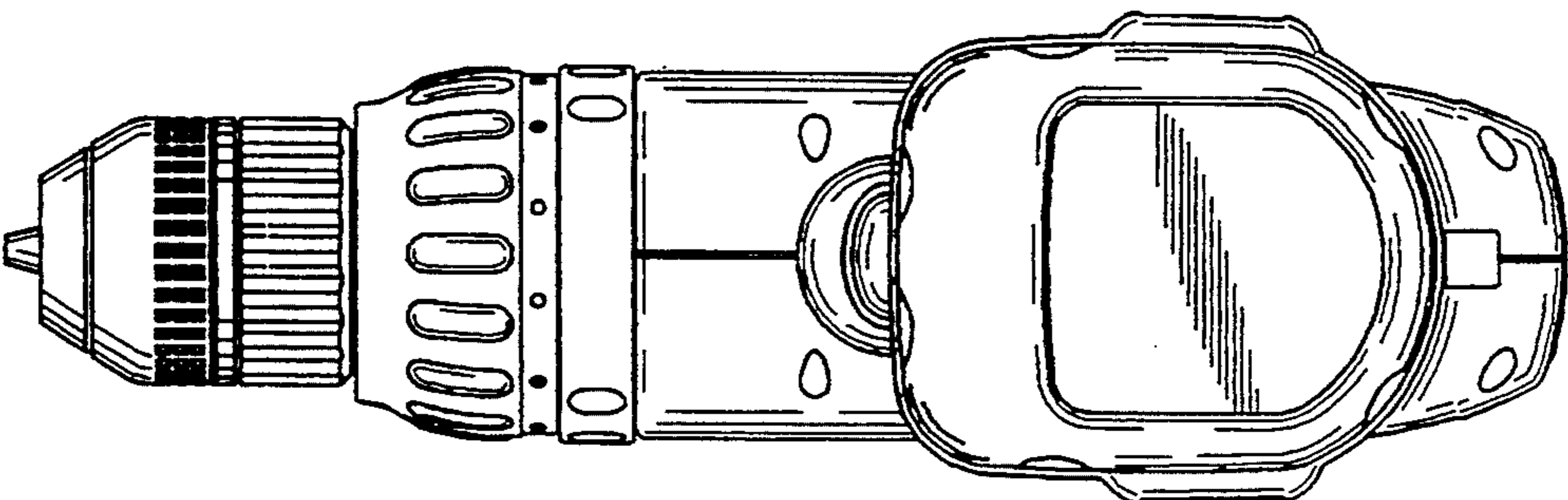


FIG. 9

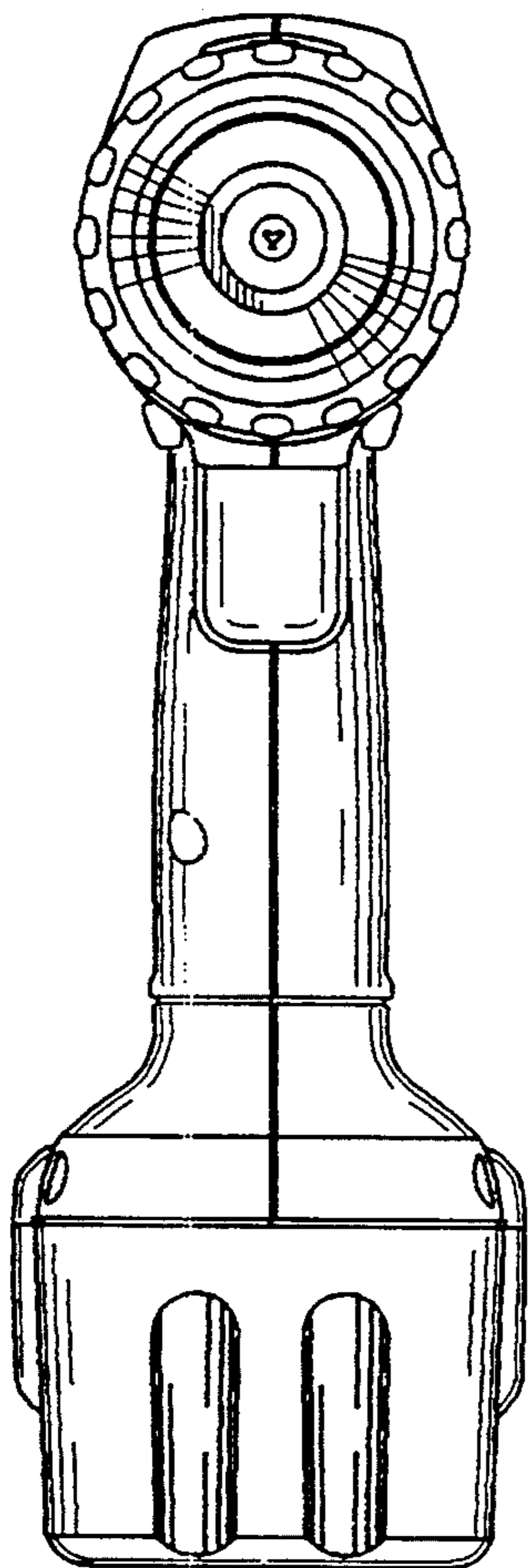


FIG. 10

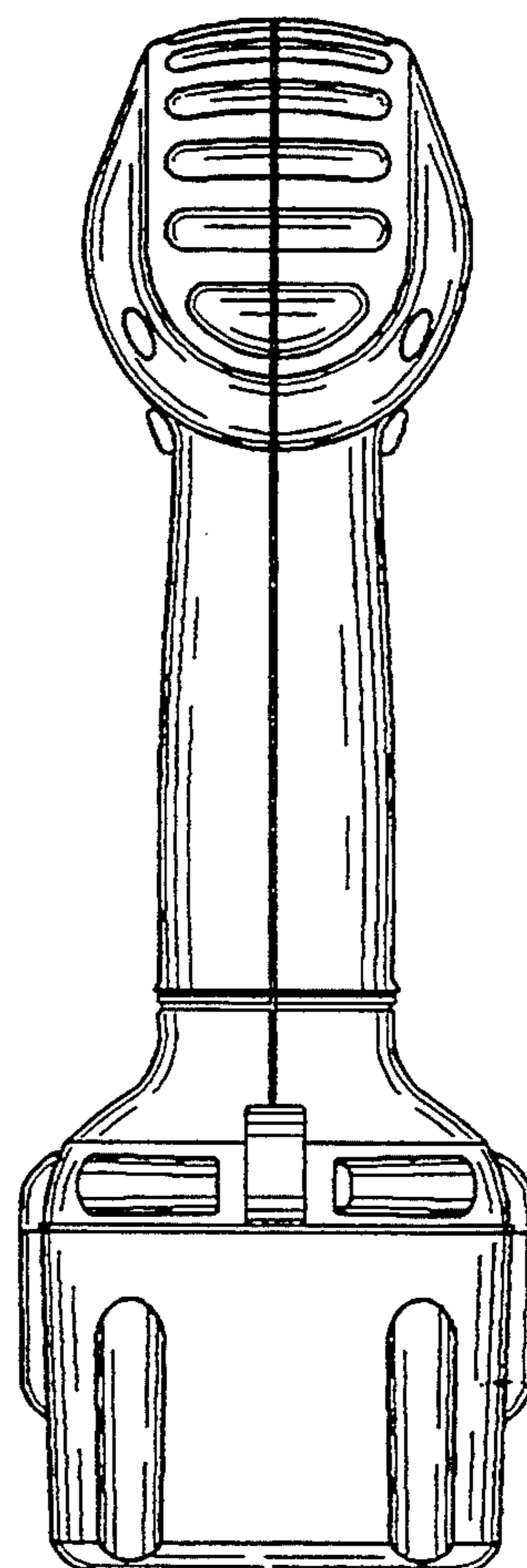


FIG. 12

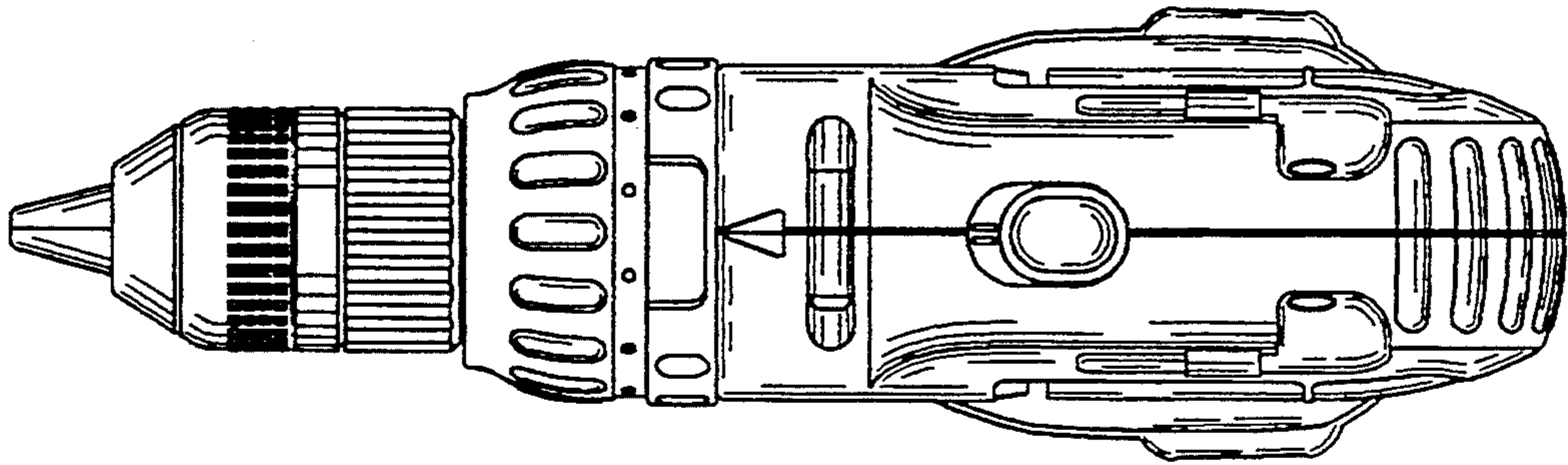


FIG. 11

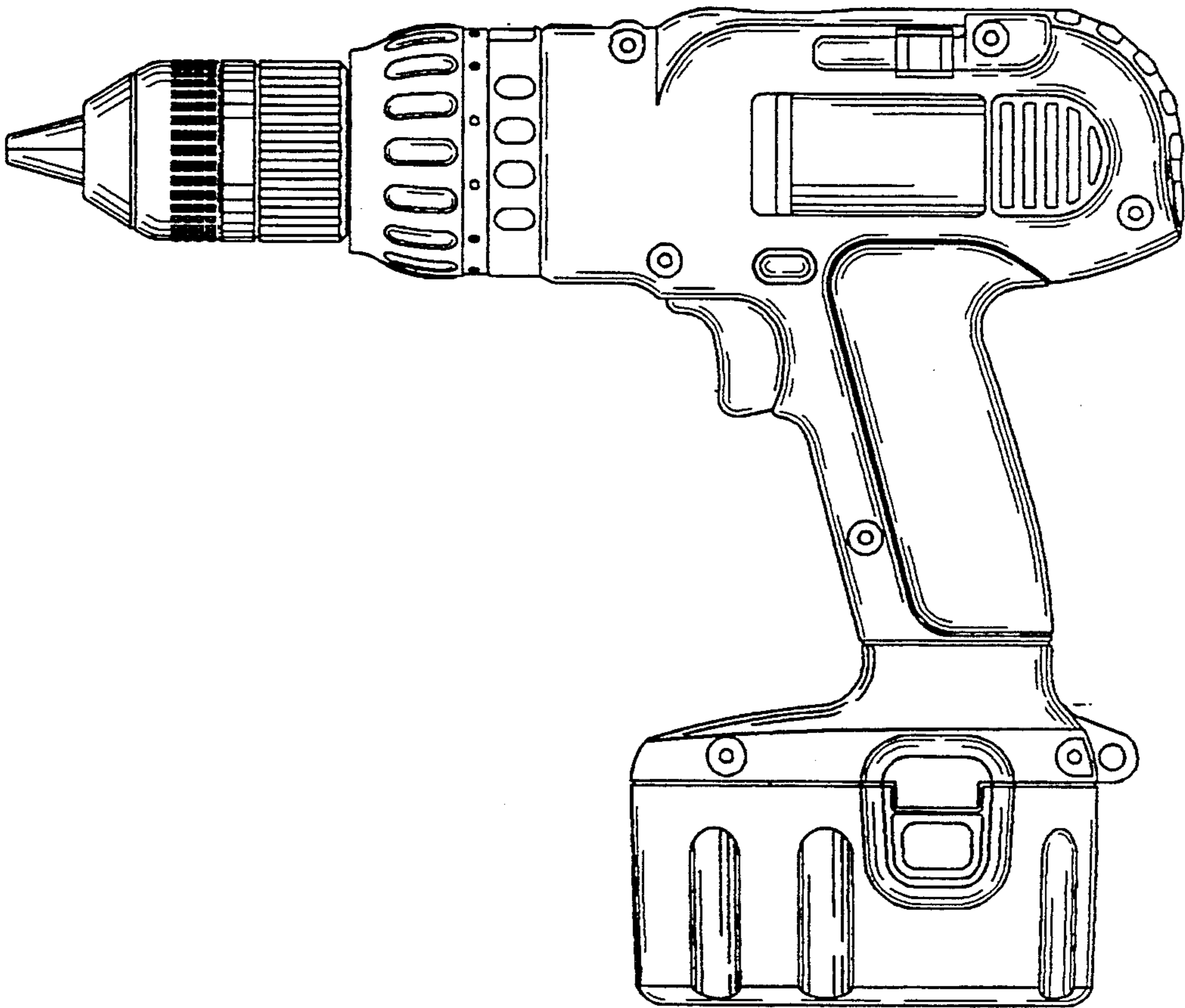


FIG. 13

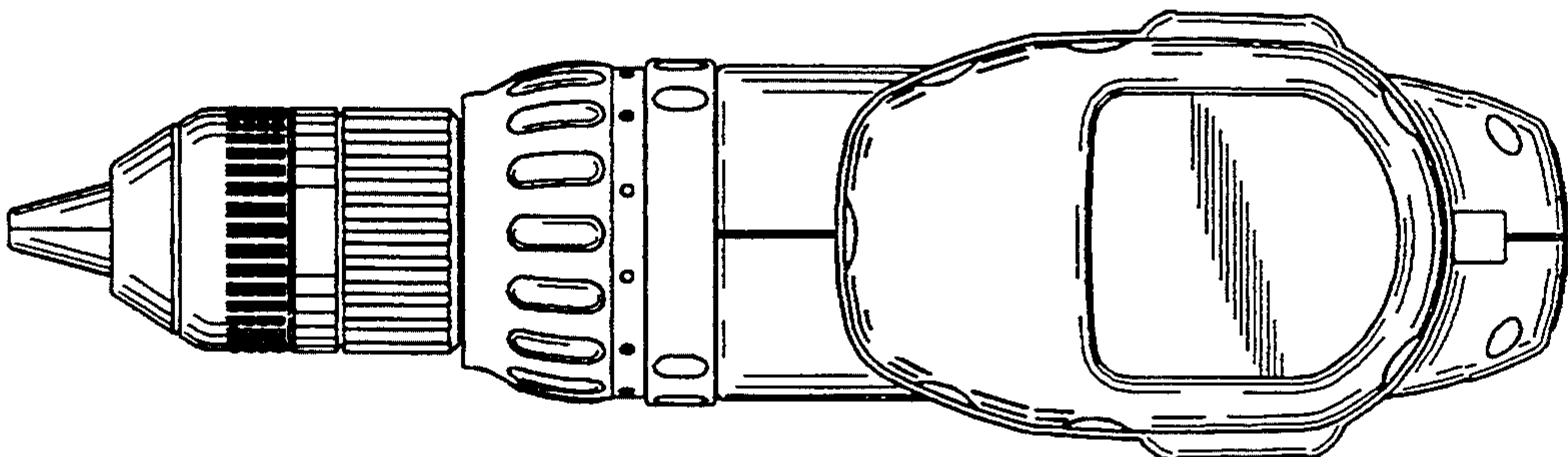


FIG. 14

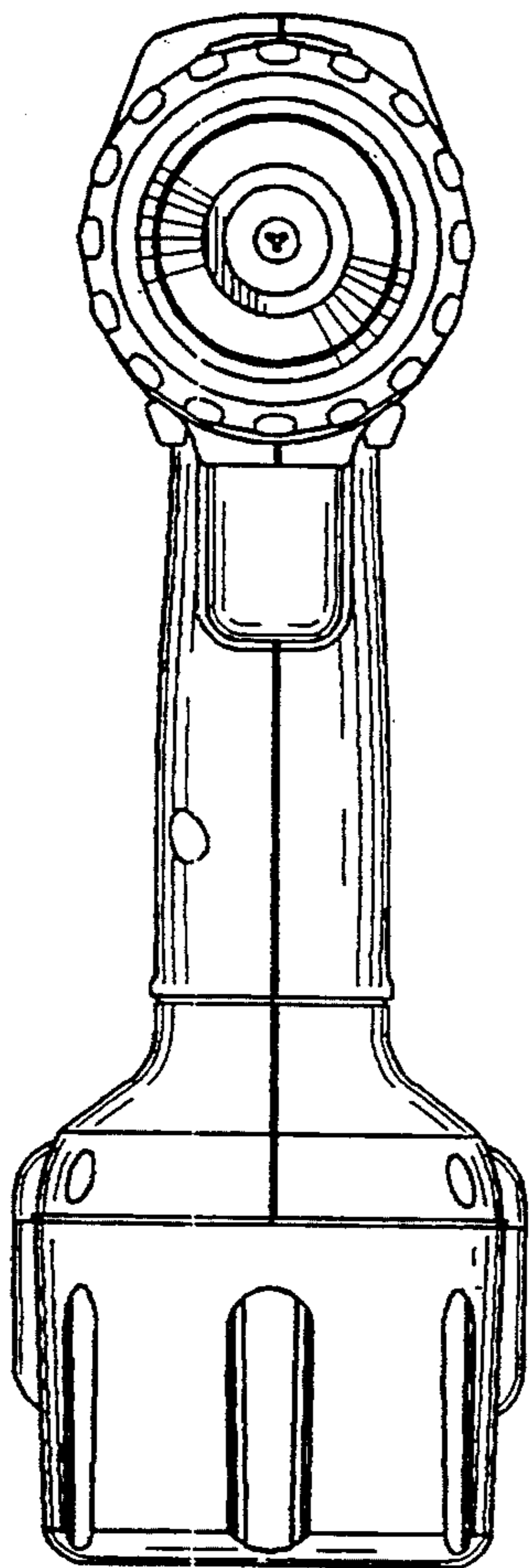


FIG. 15

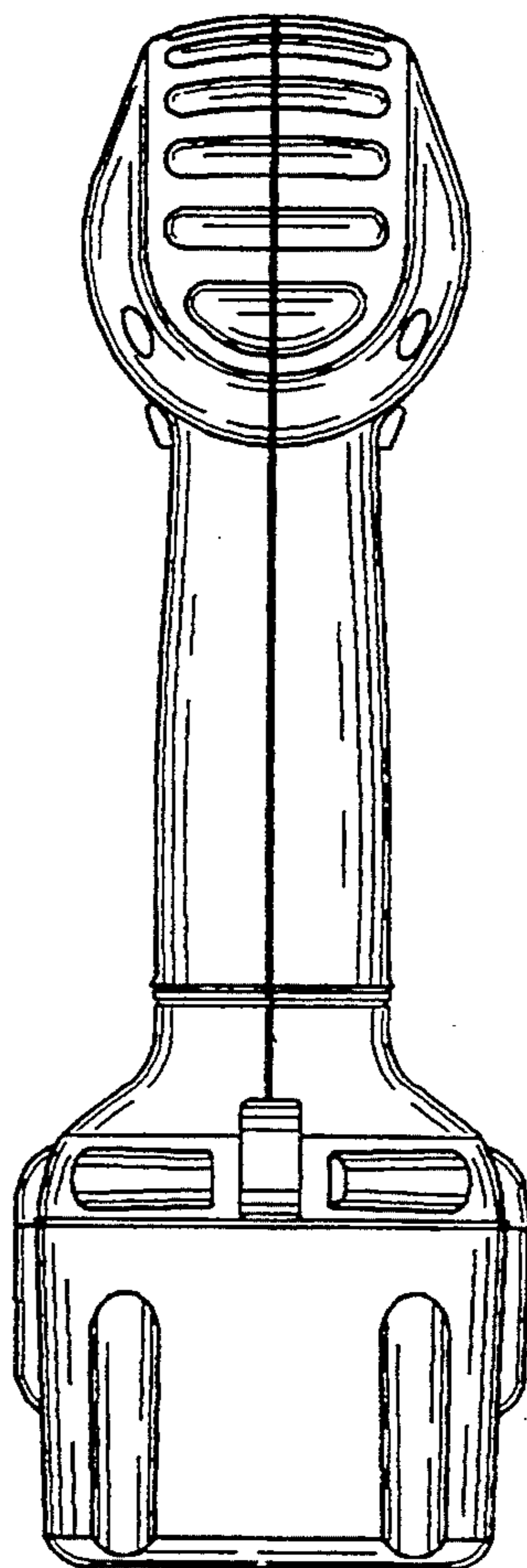


FIG. 17

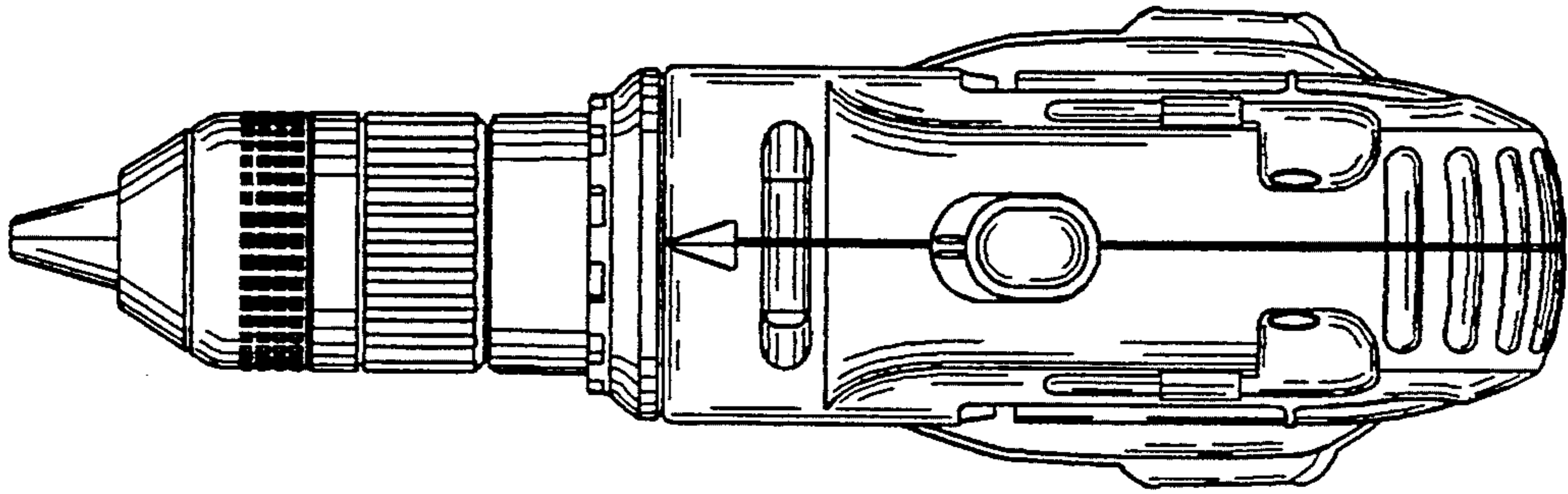


FIG. 16

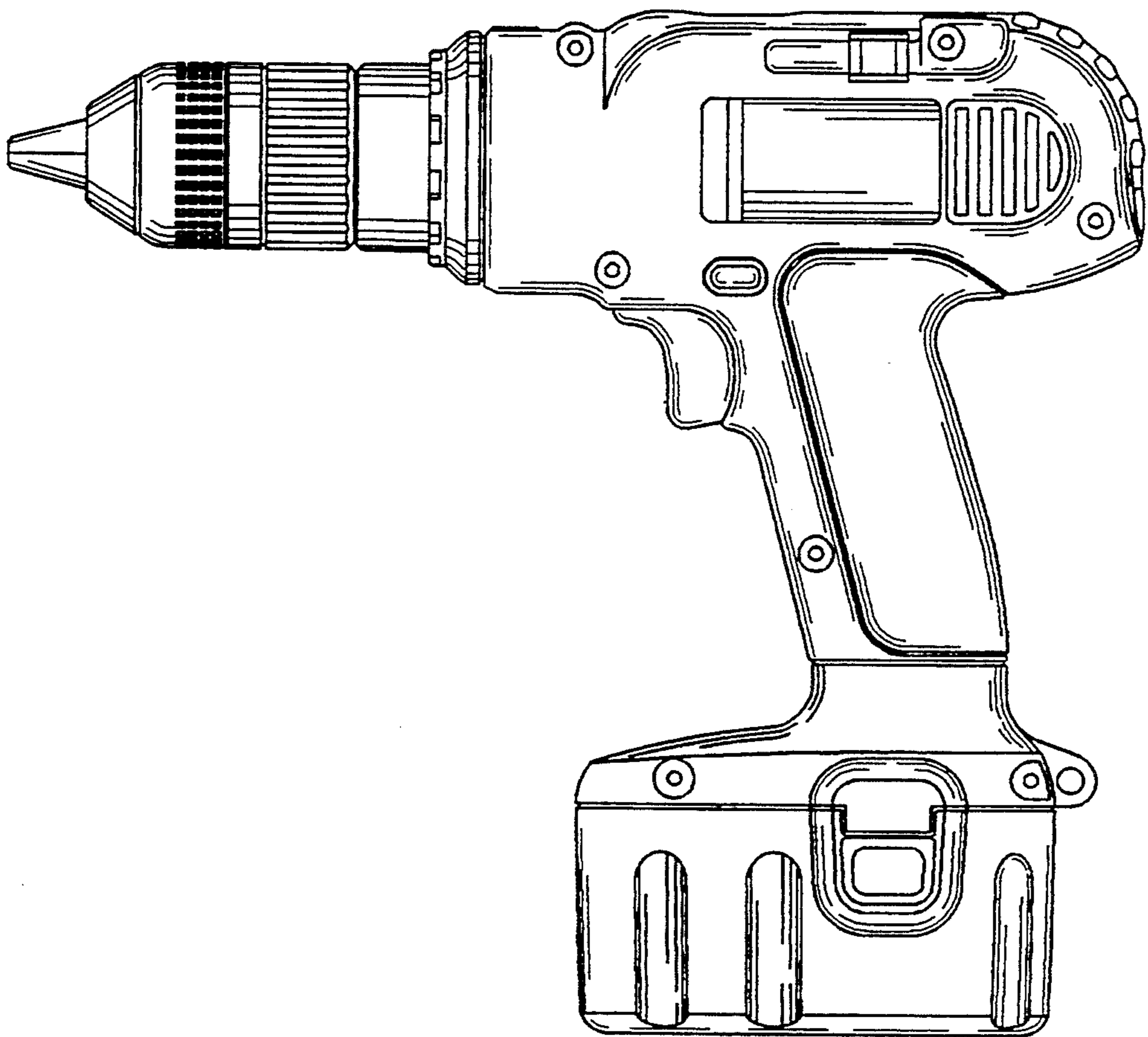


FIG. 18

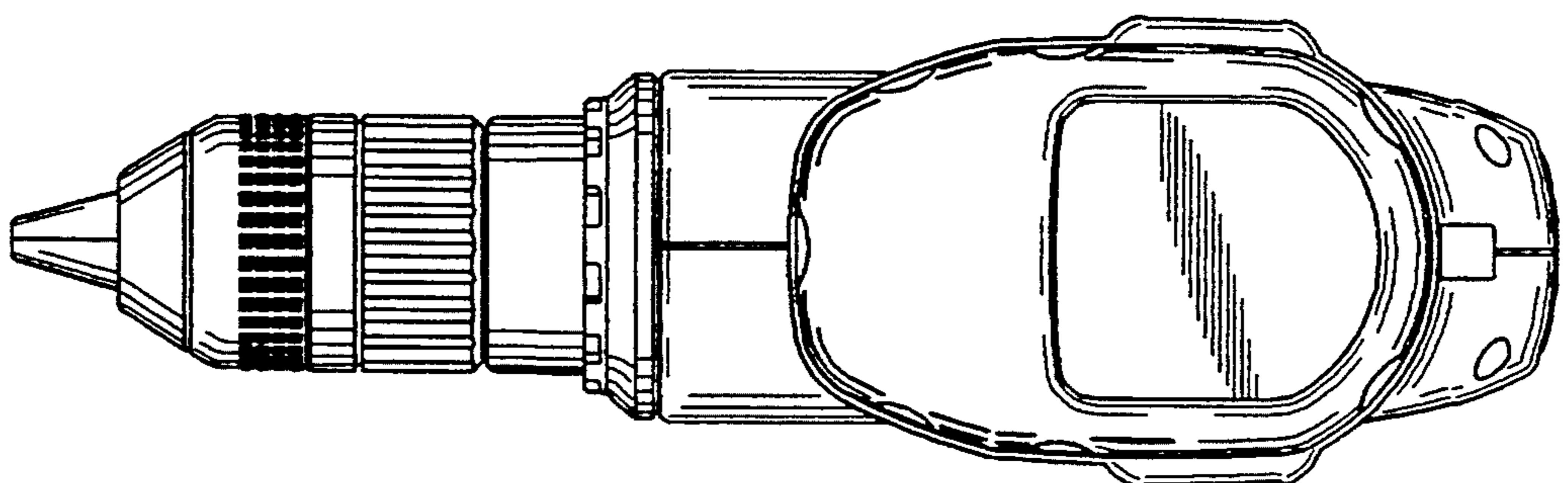


FIG. 19

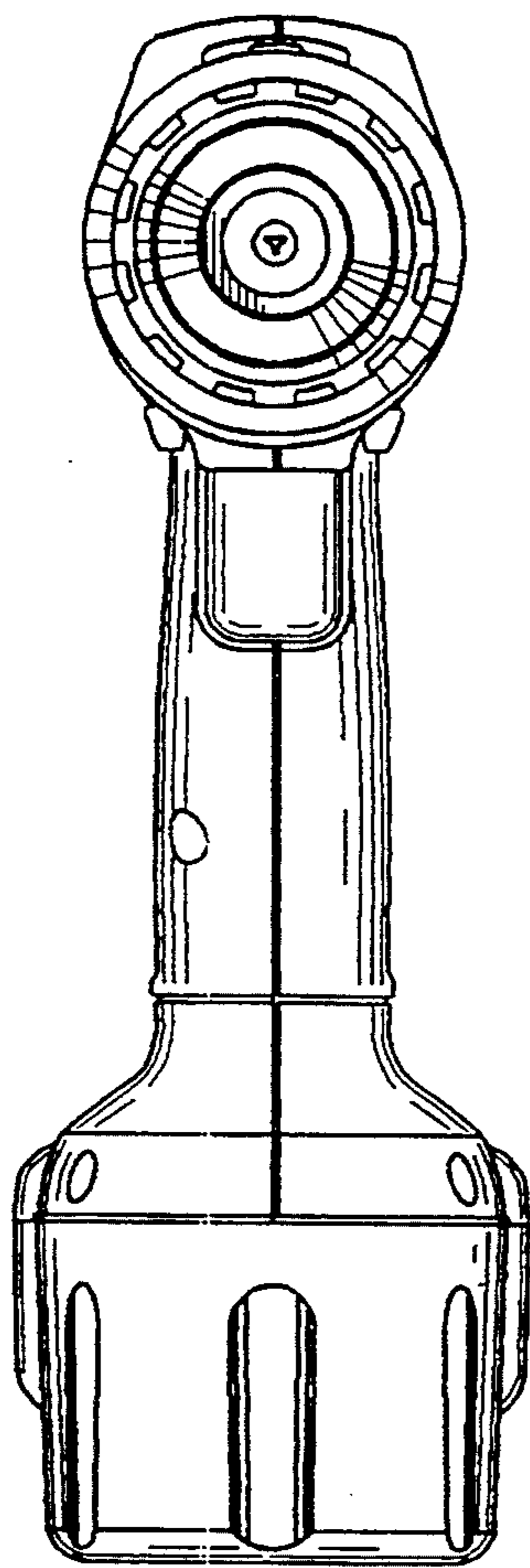


FIG. 20

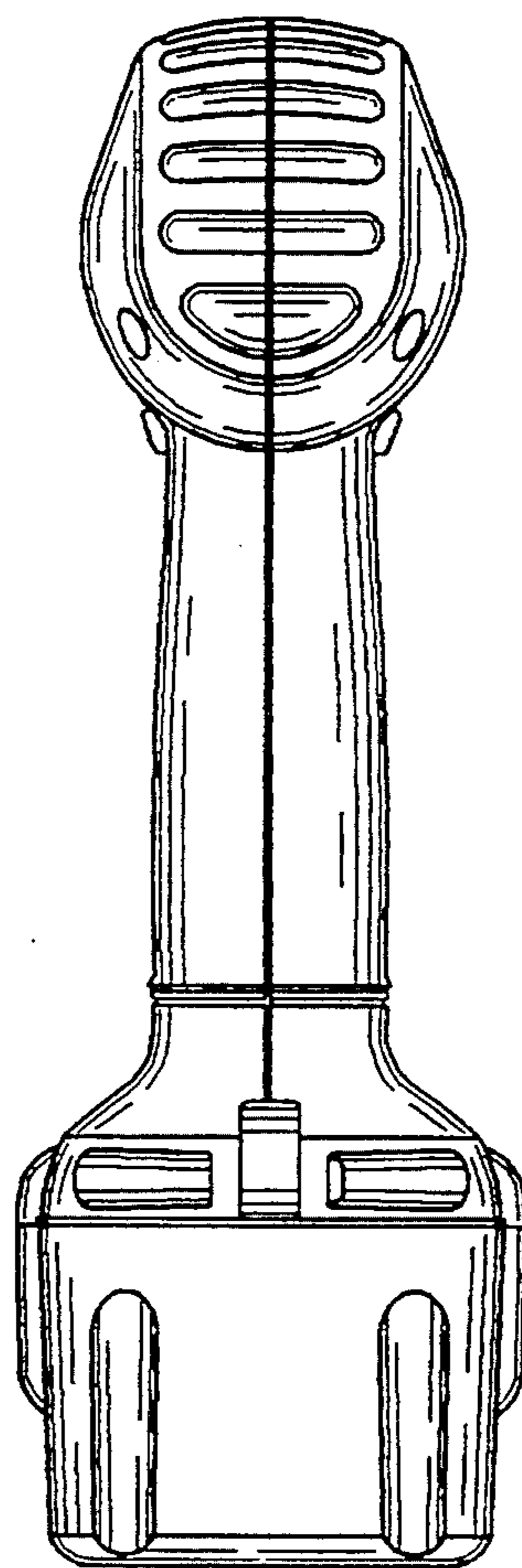


FIG. 22

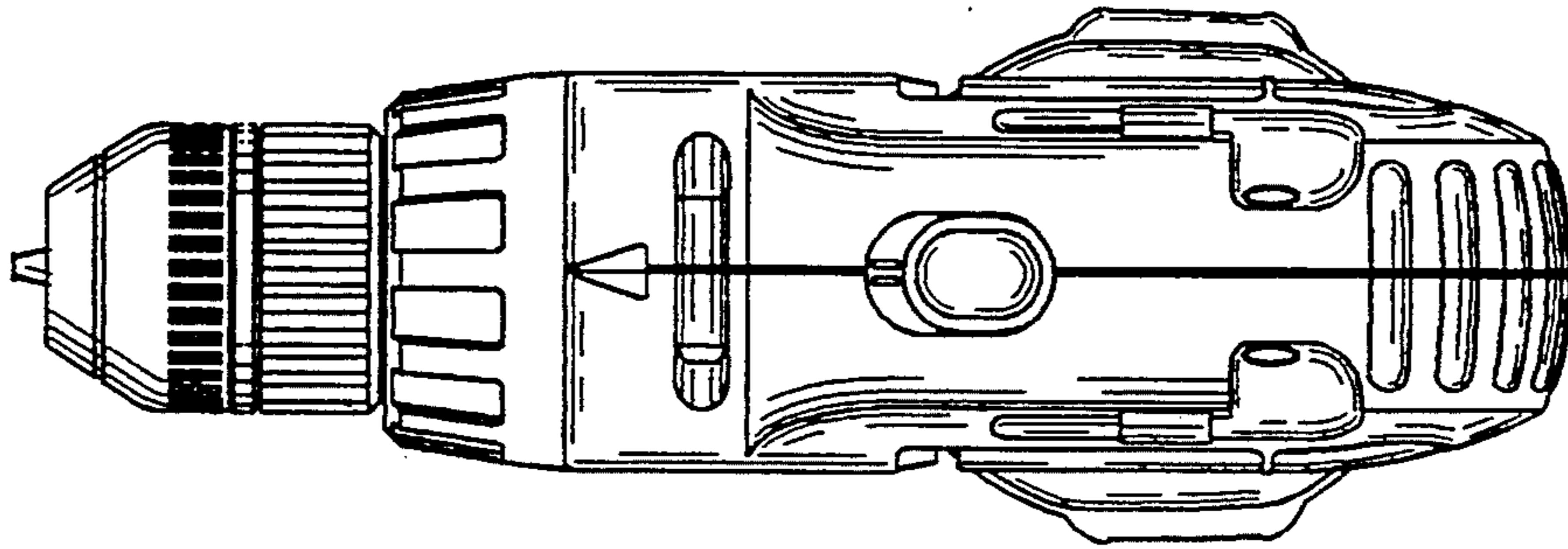


FIG. 21

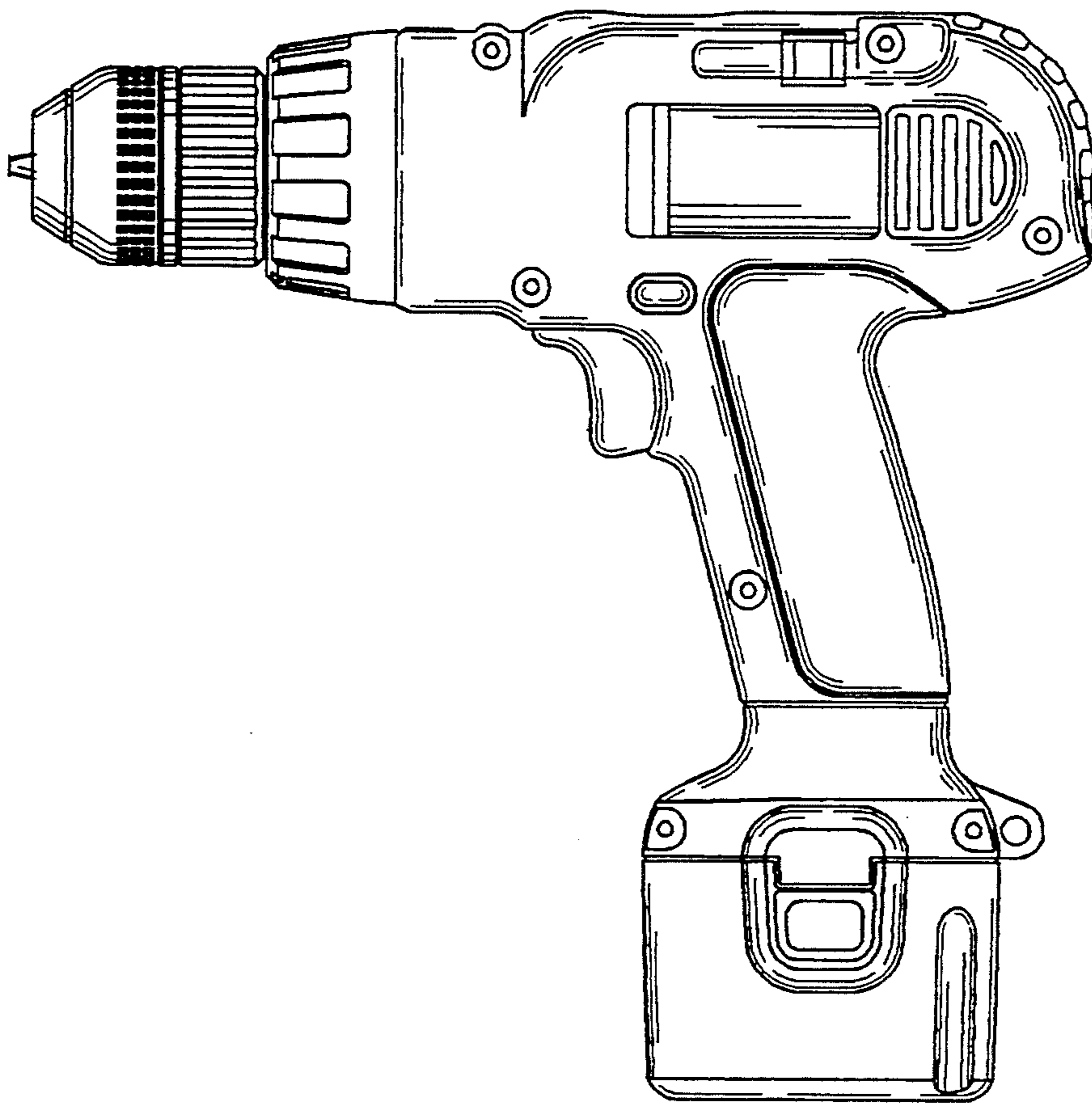


FIG. 23

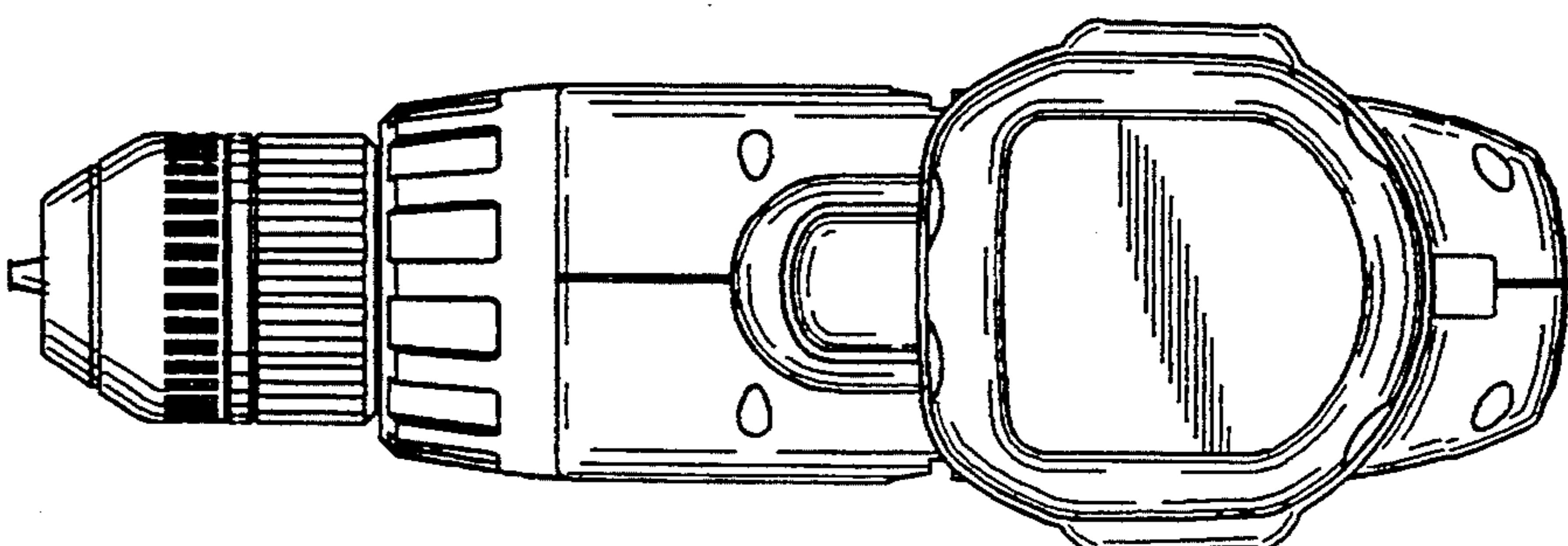


FIG. 24

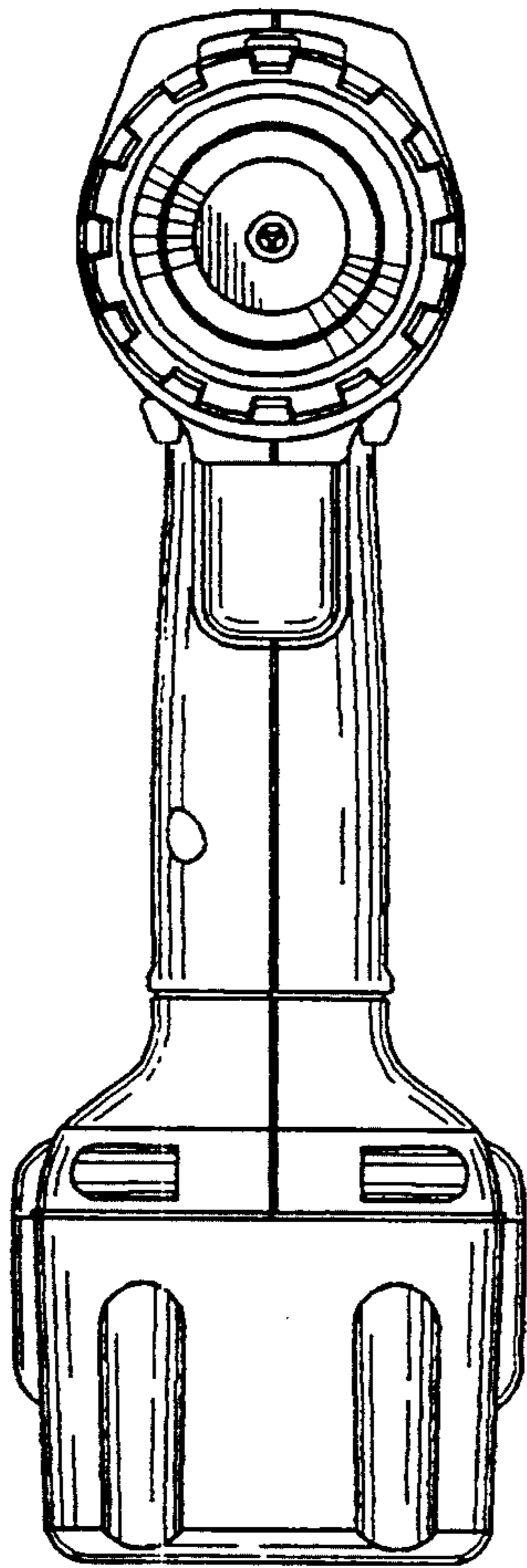


FIG. 25

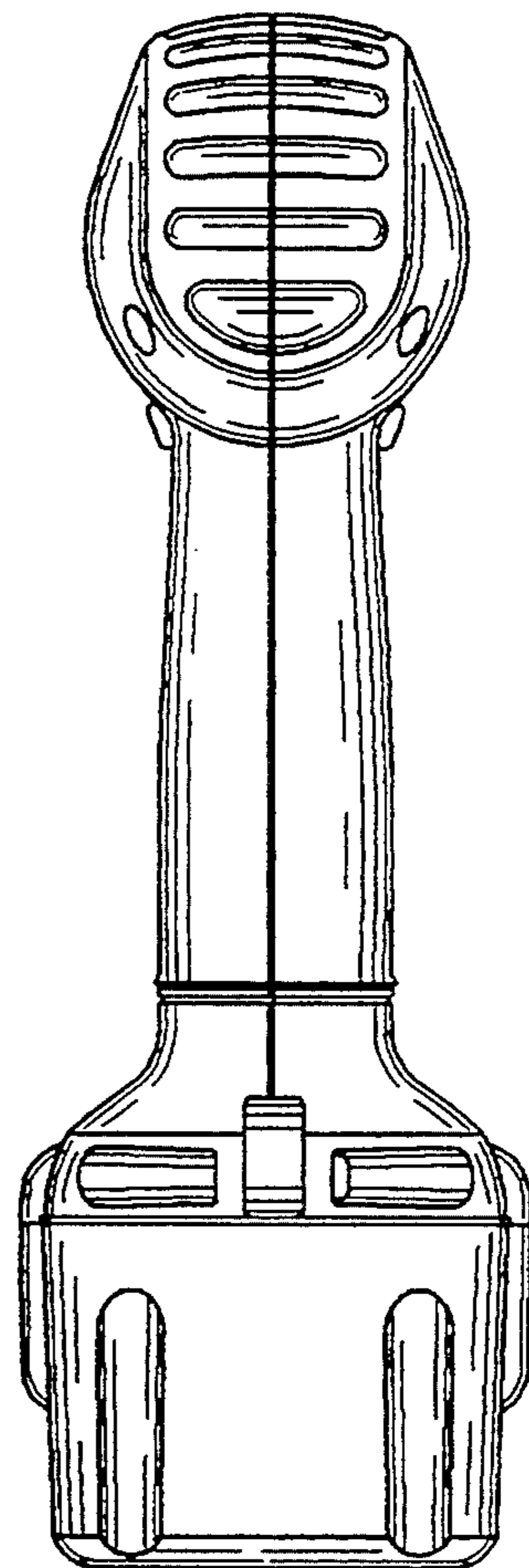


FIG. 27

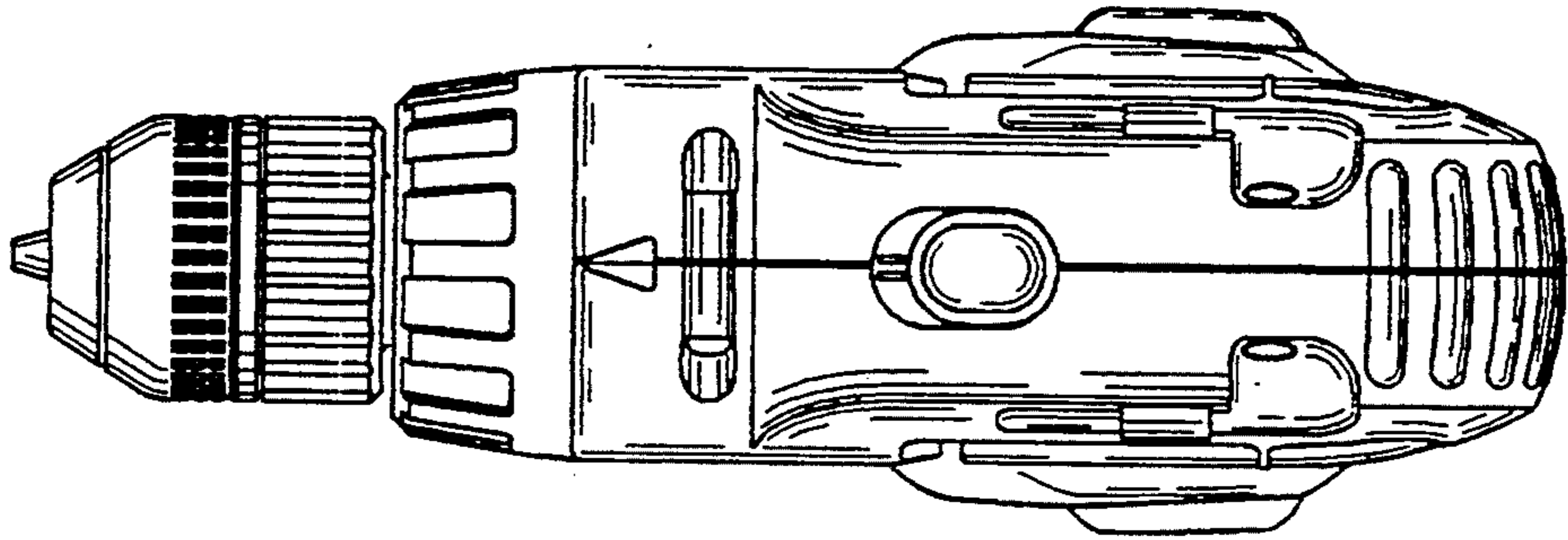


FIG. 26

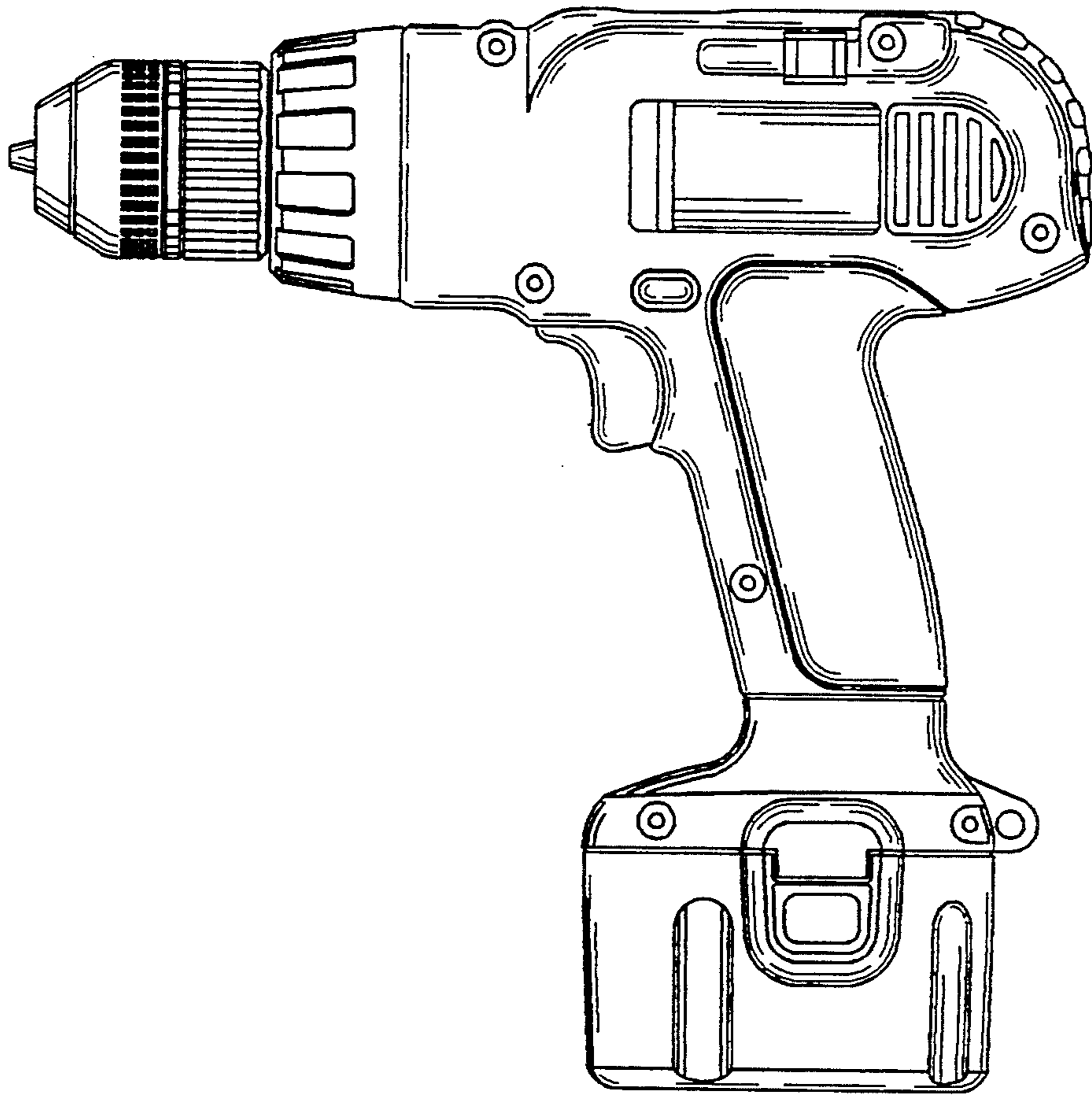


FIG. 28

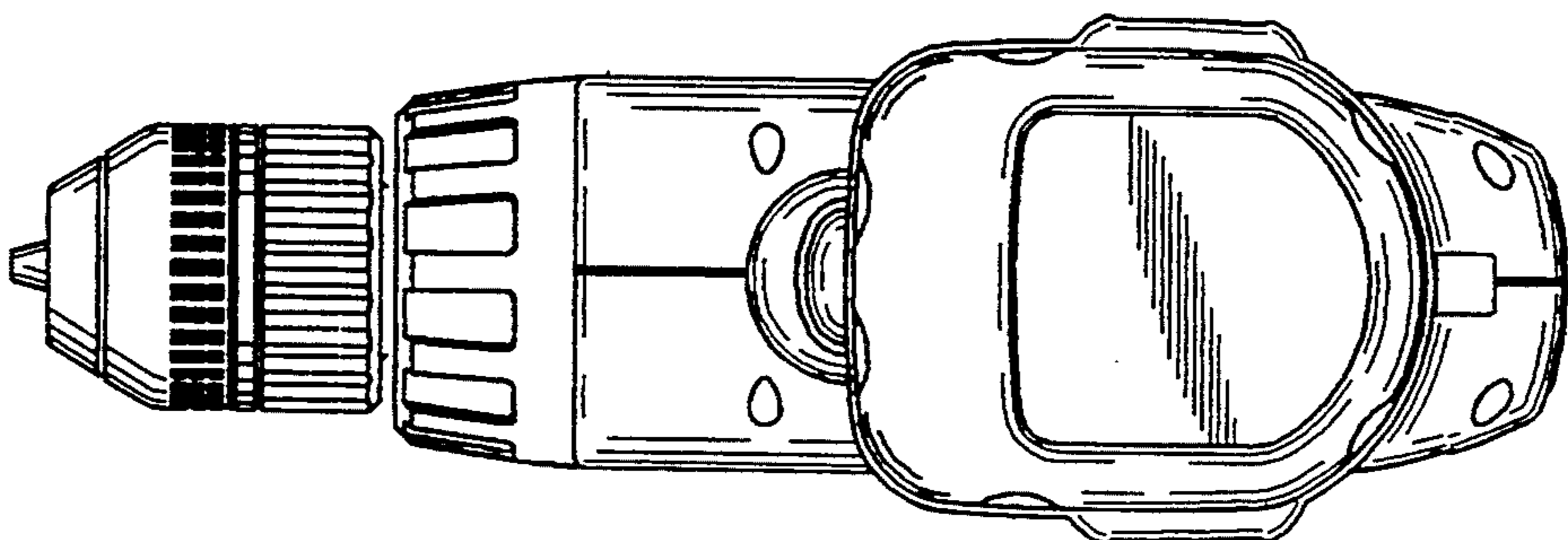


FIG. 29

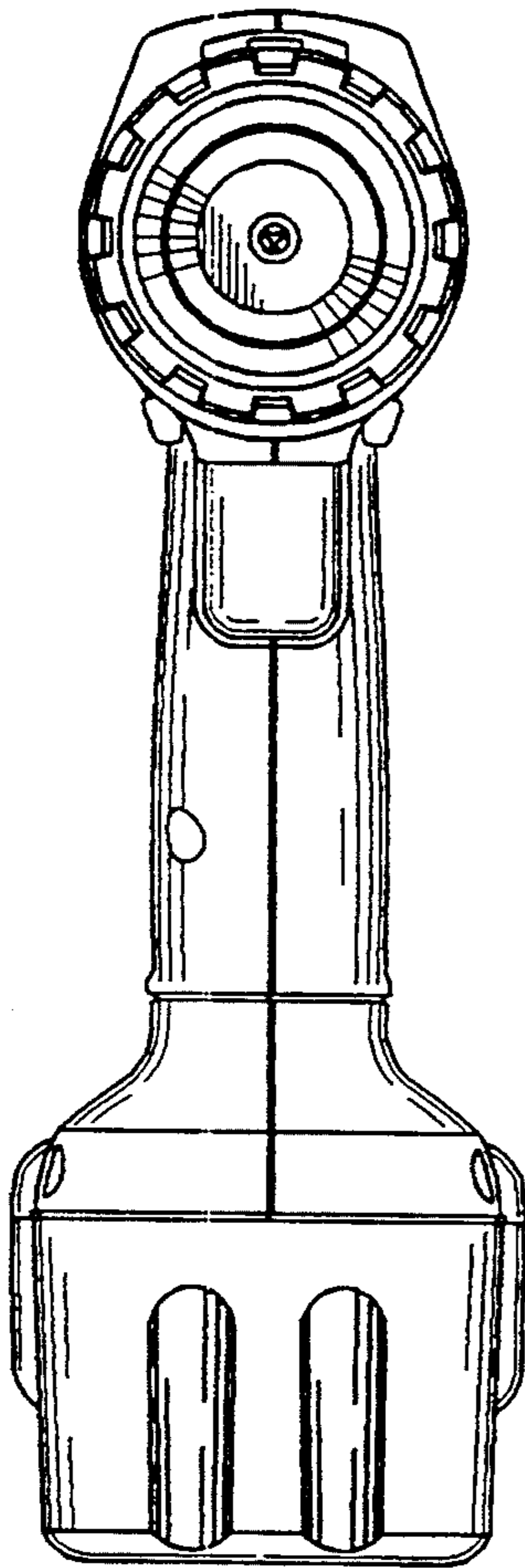


FIG. 30

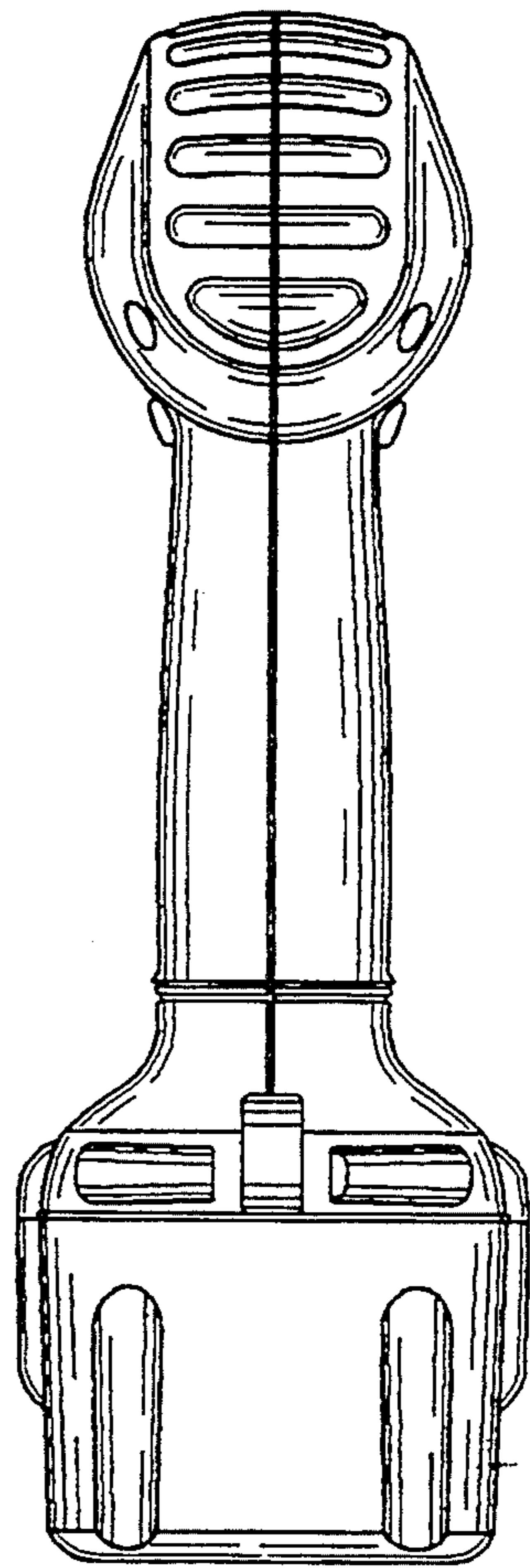


FIG. 32

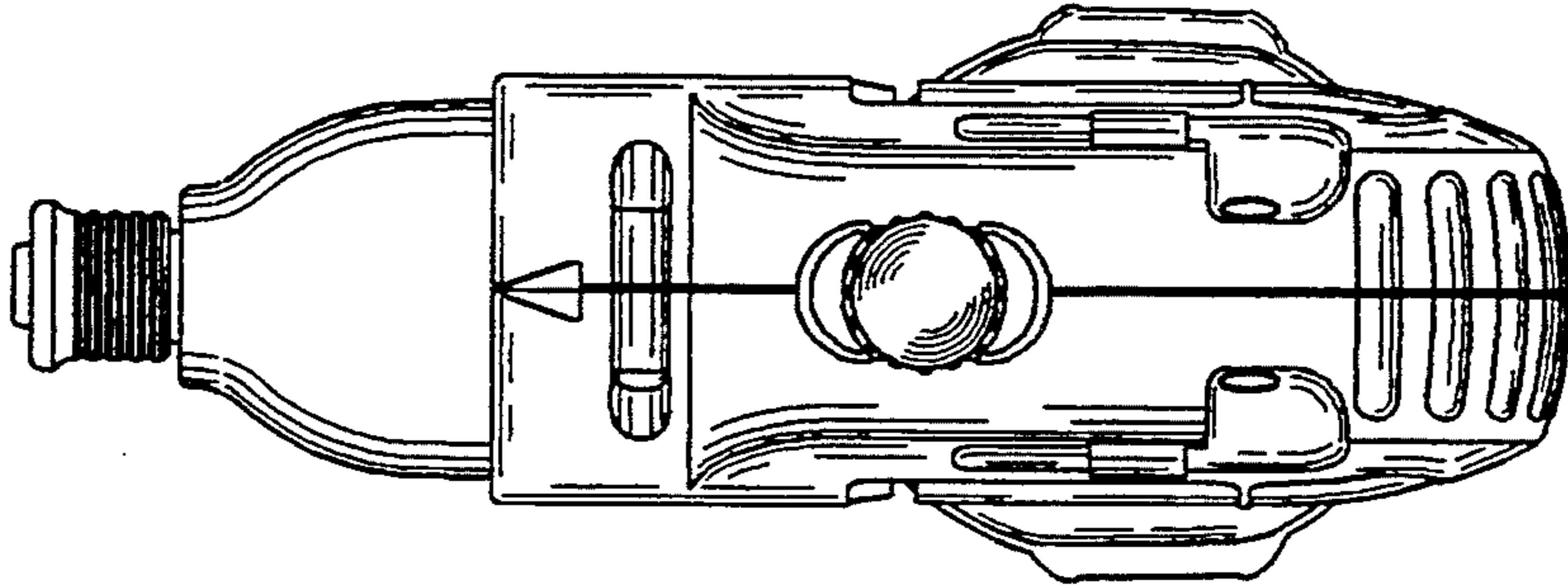


FIG. 31

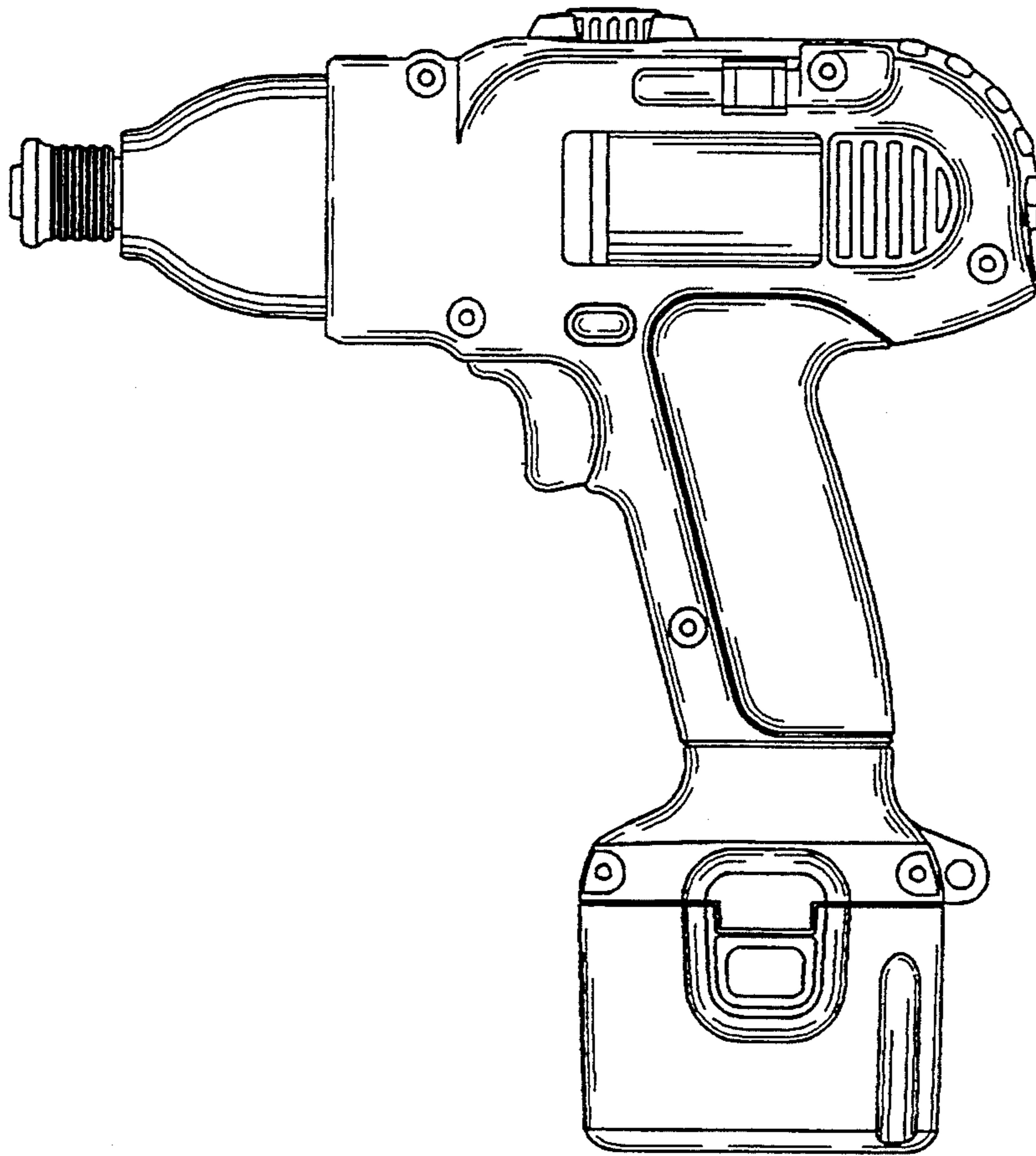


FIG. 33

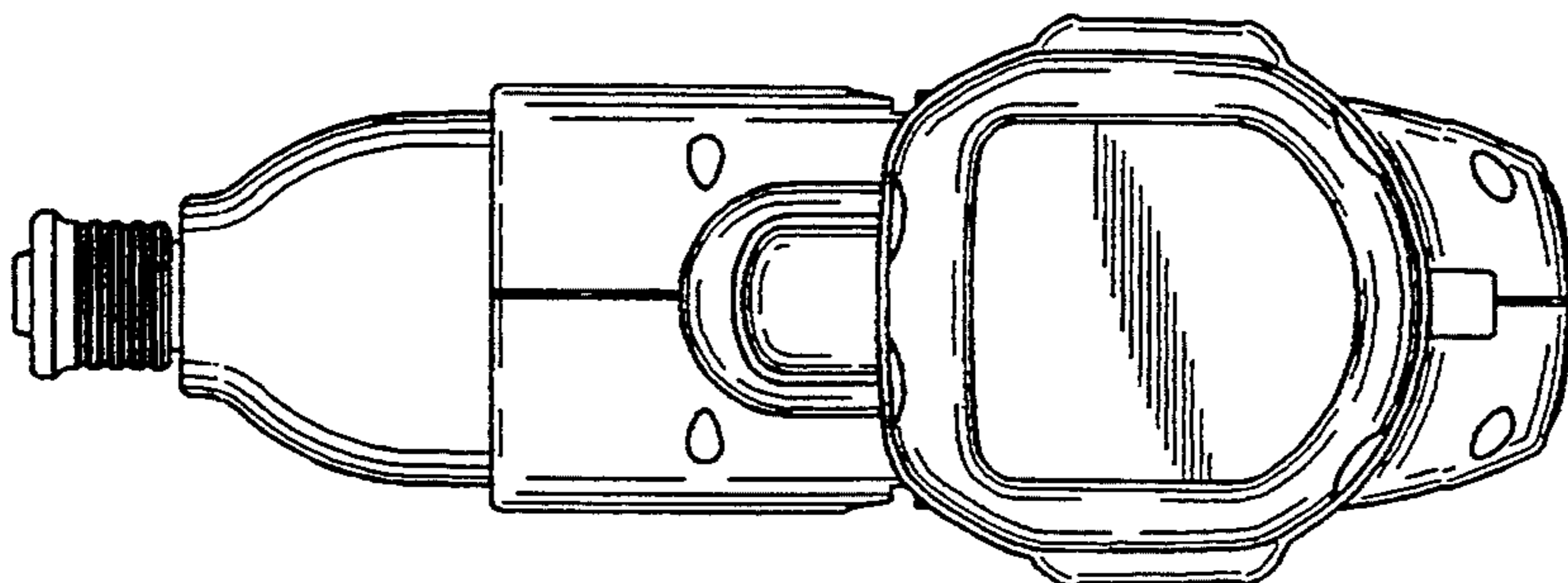


FIG. 34

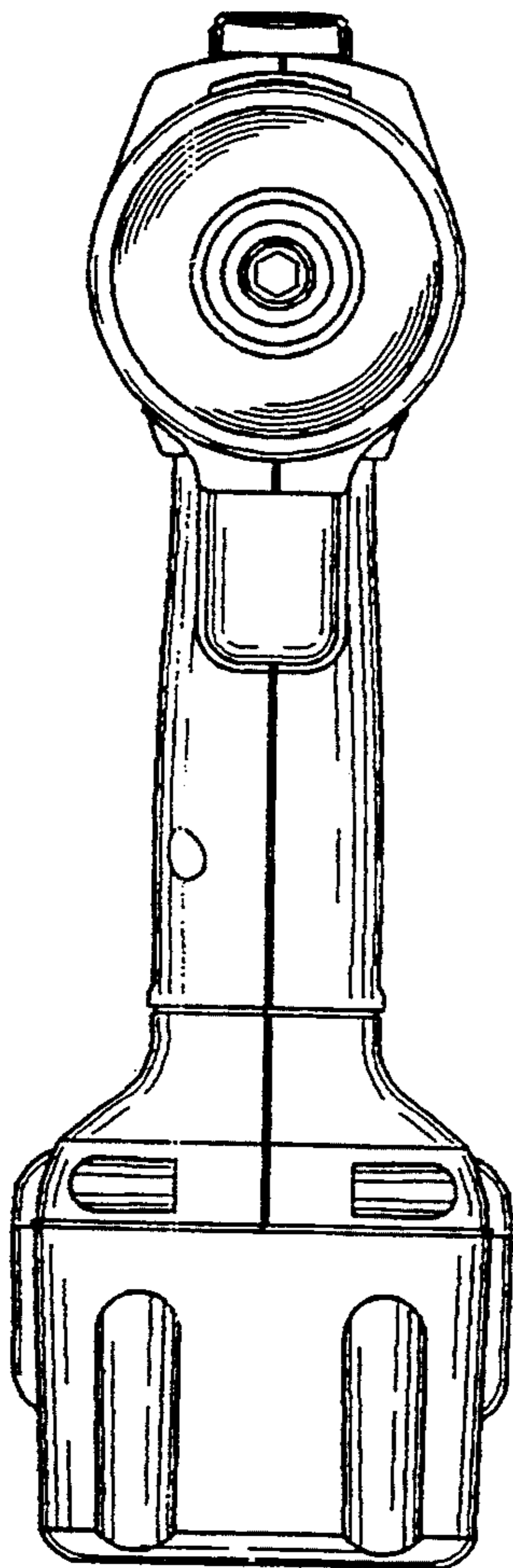


FIG. 35

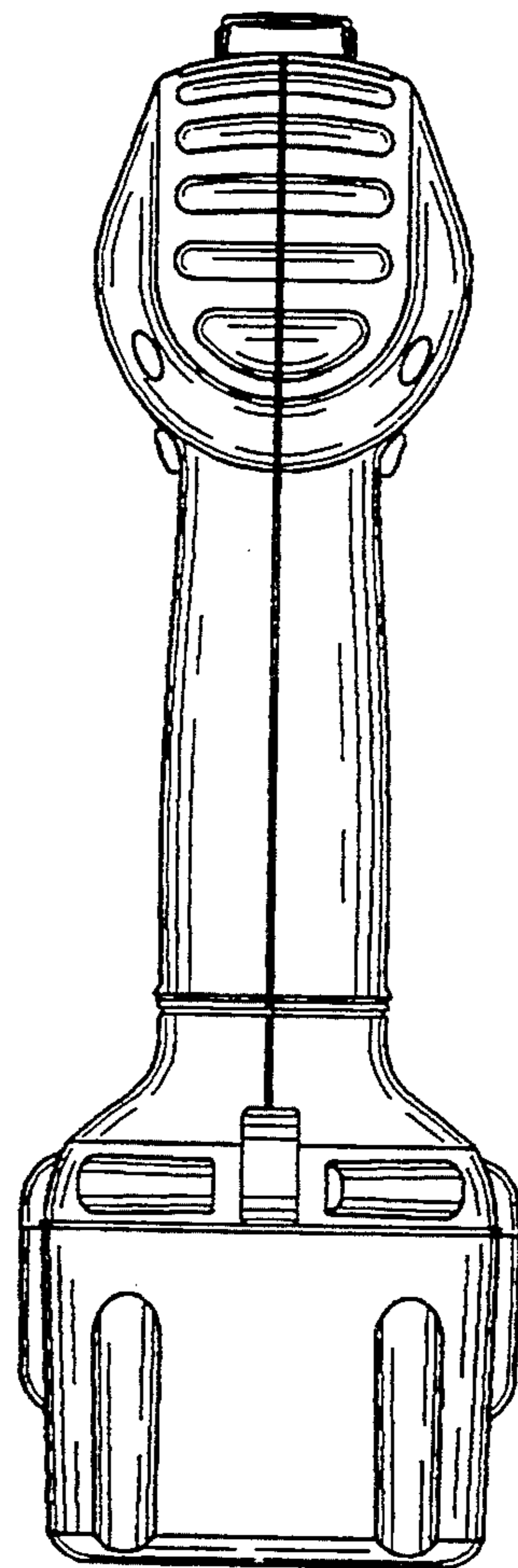


FIG. 37

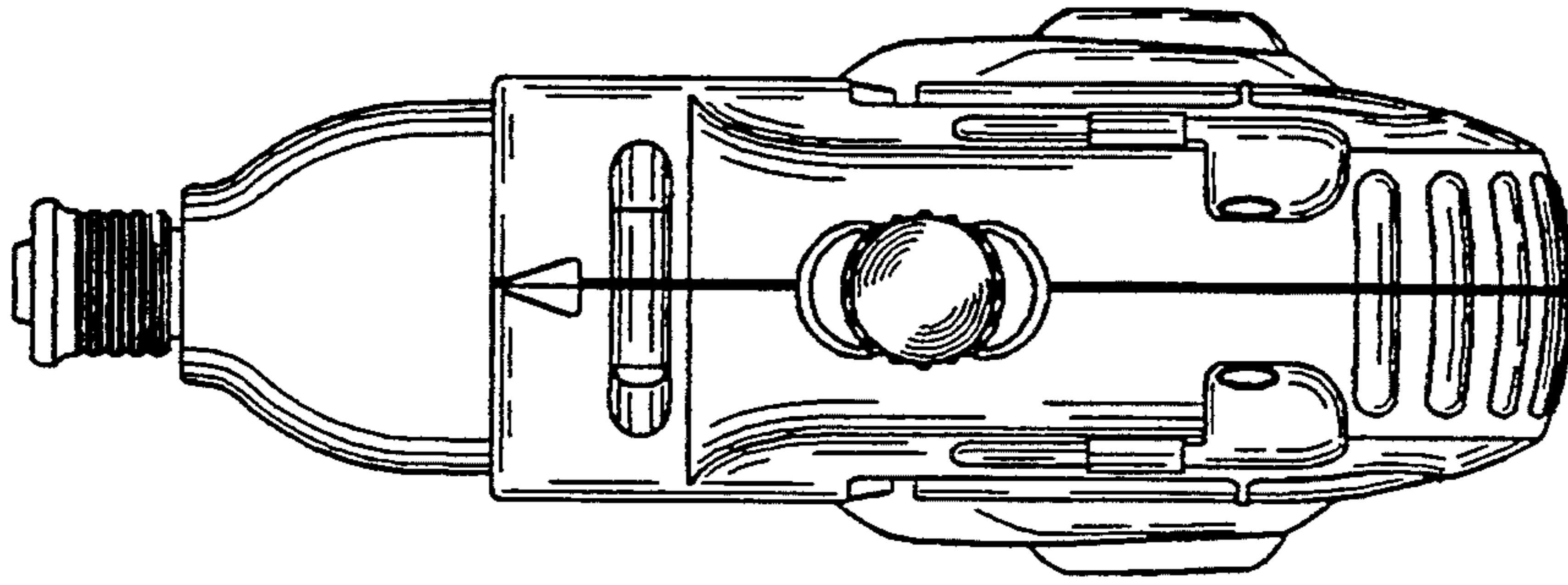


FIG. 36

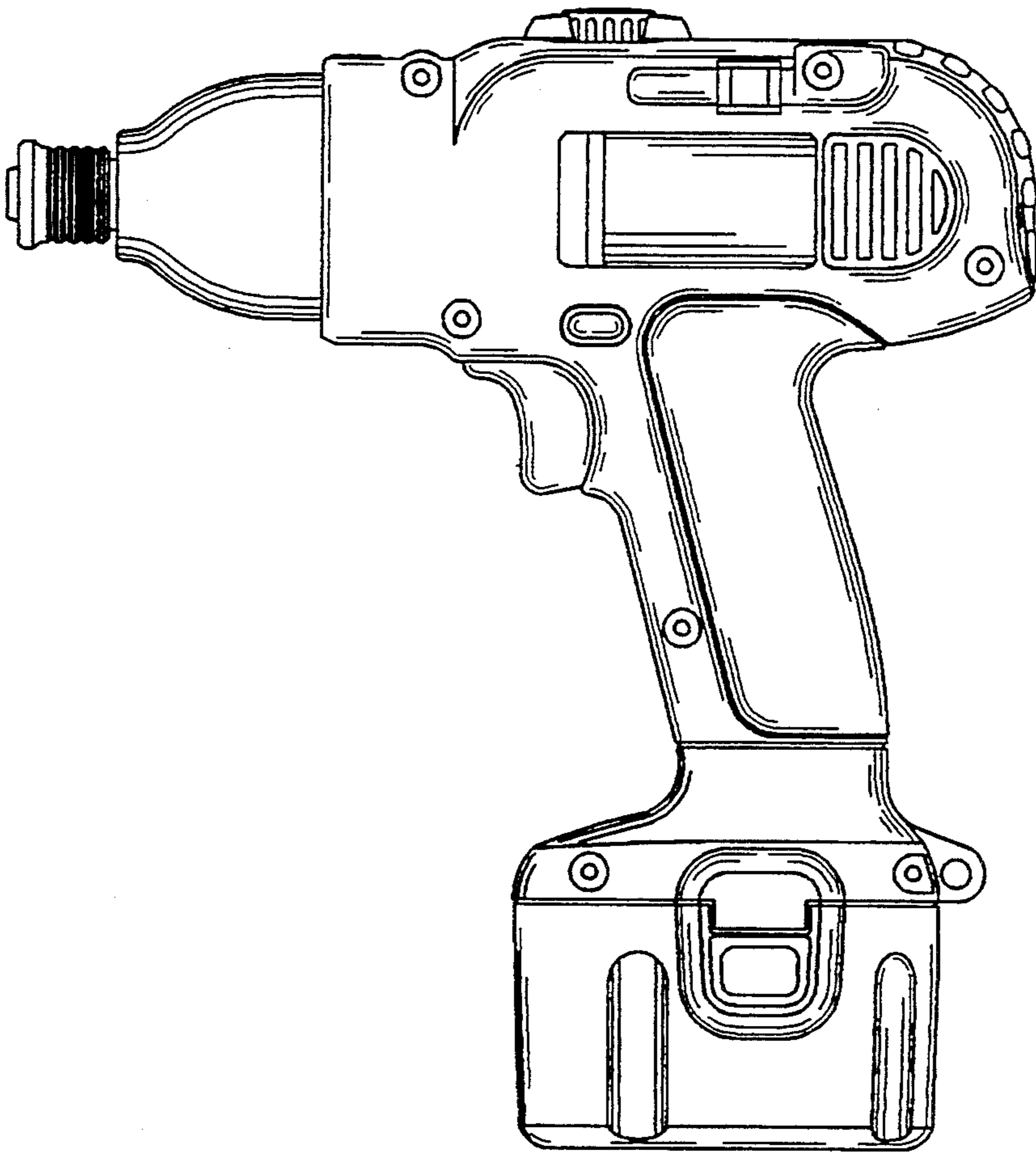


FIG. 38

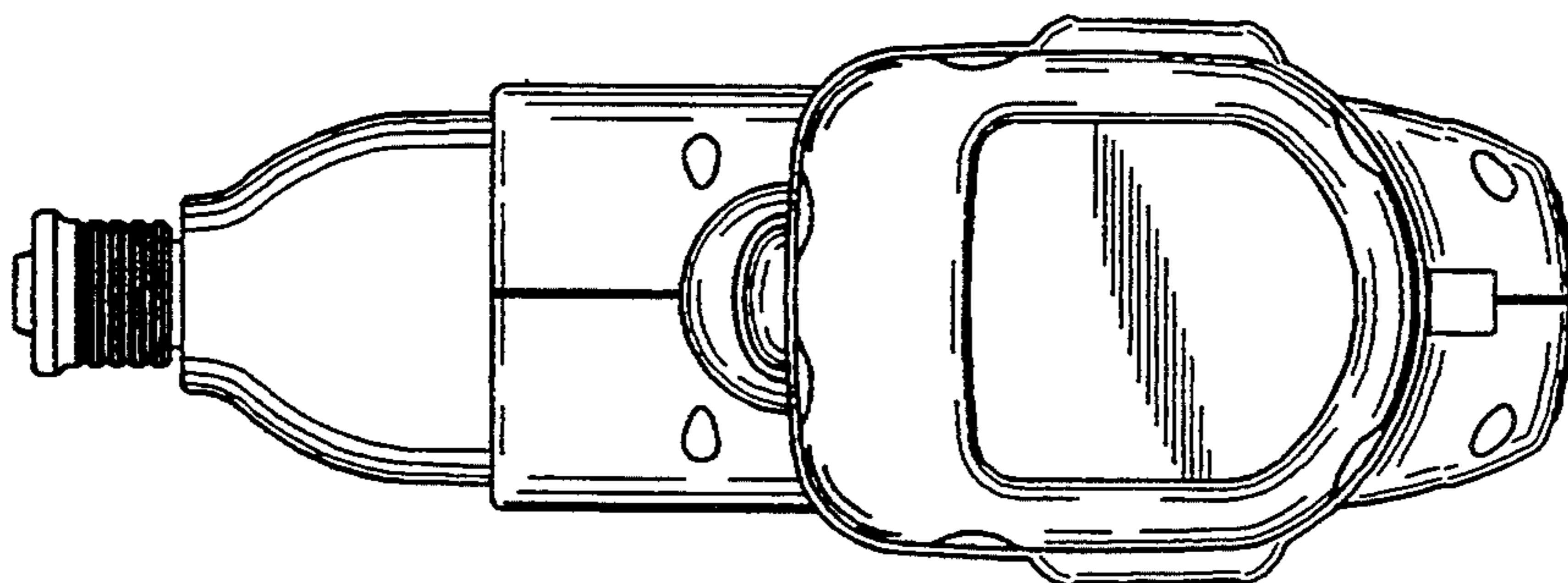


FIG. 39

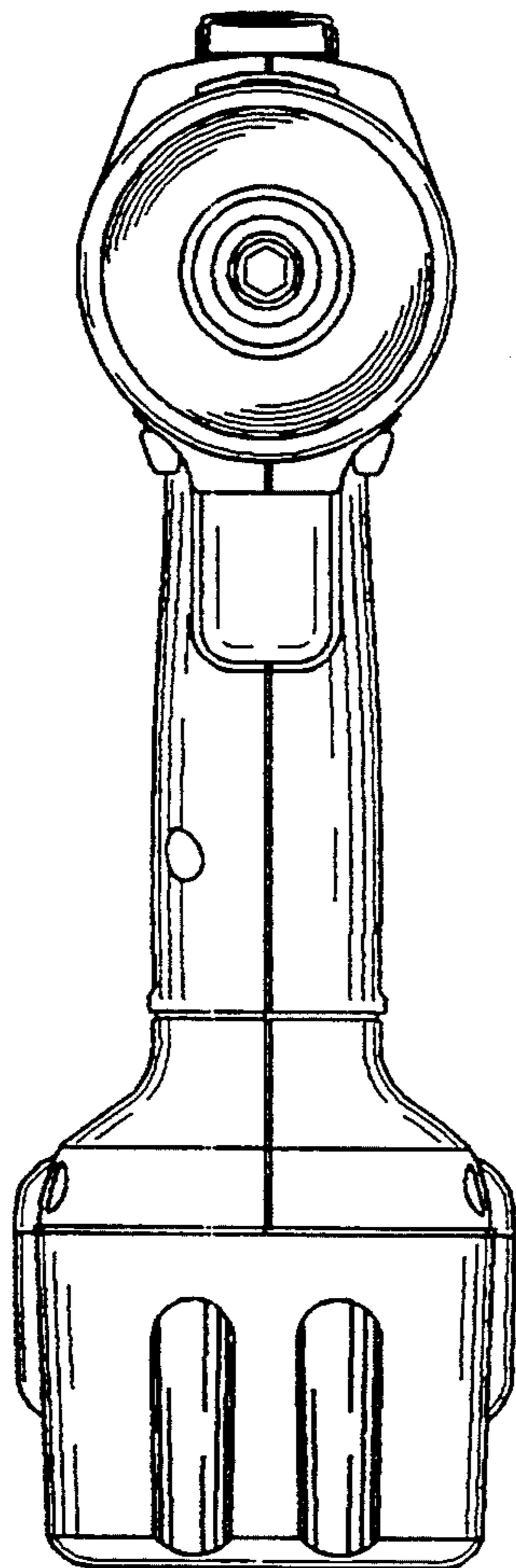


FIG. 40

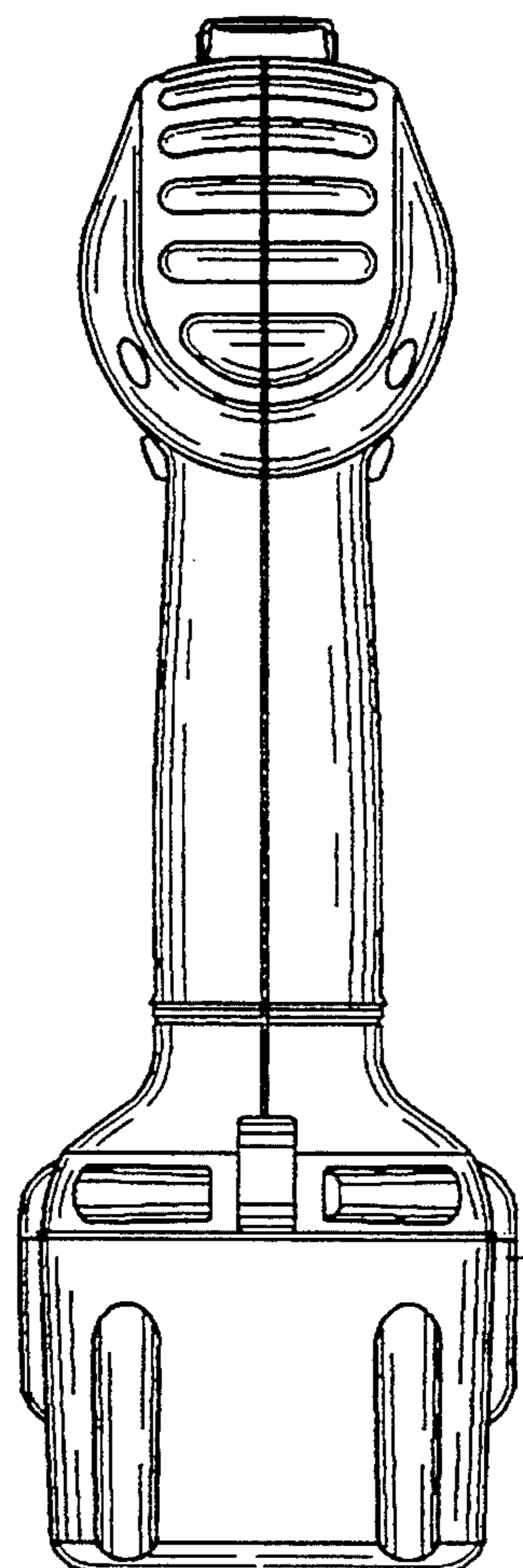


FIG. 42

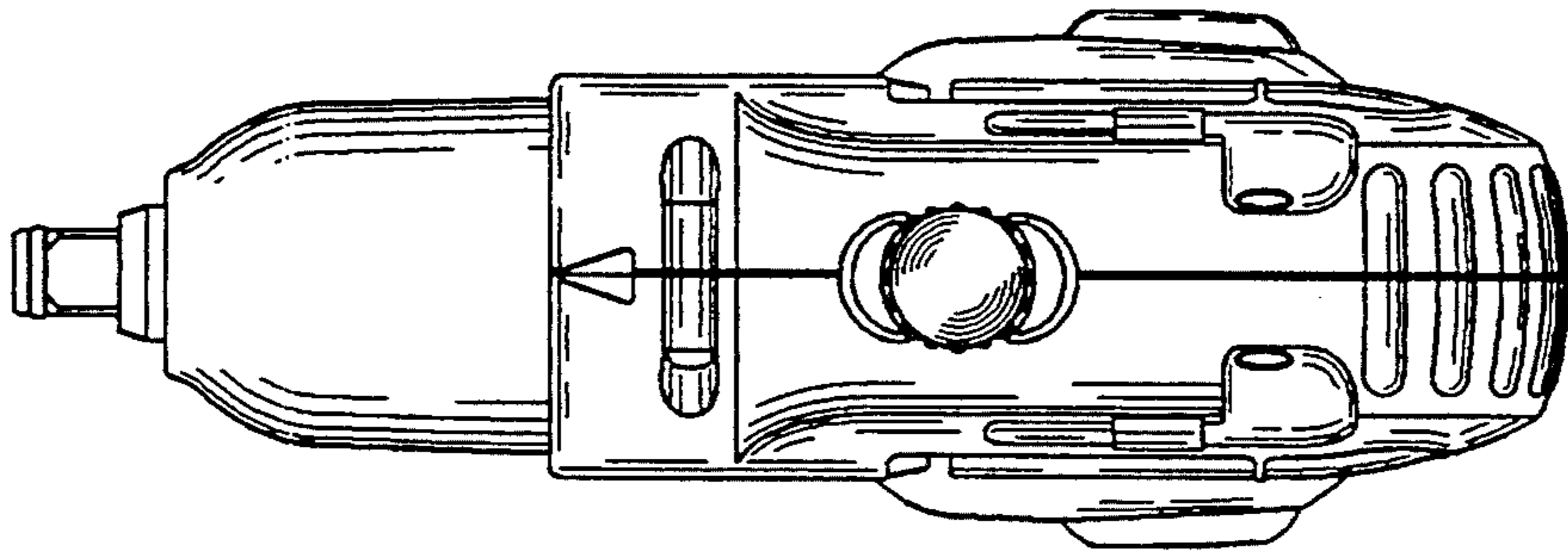


FIG. 41

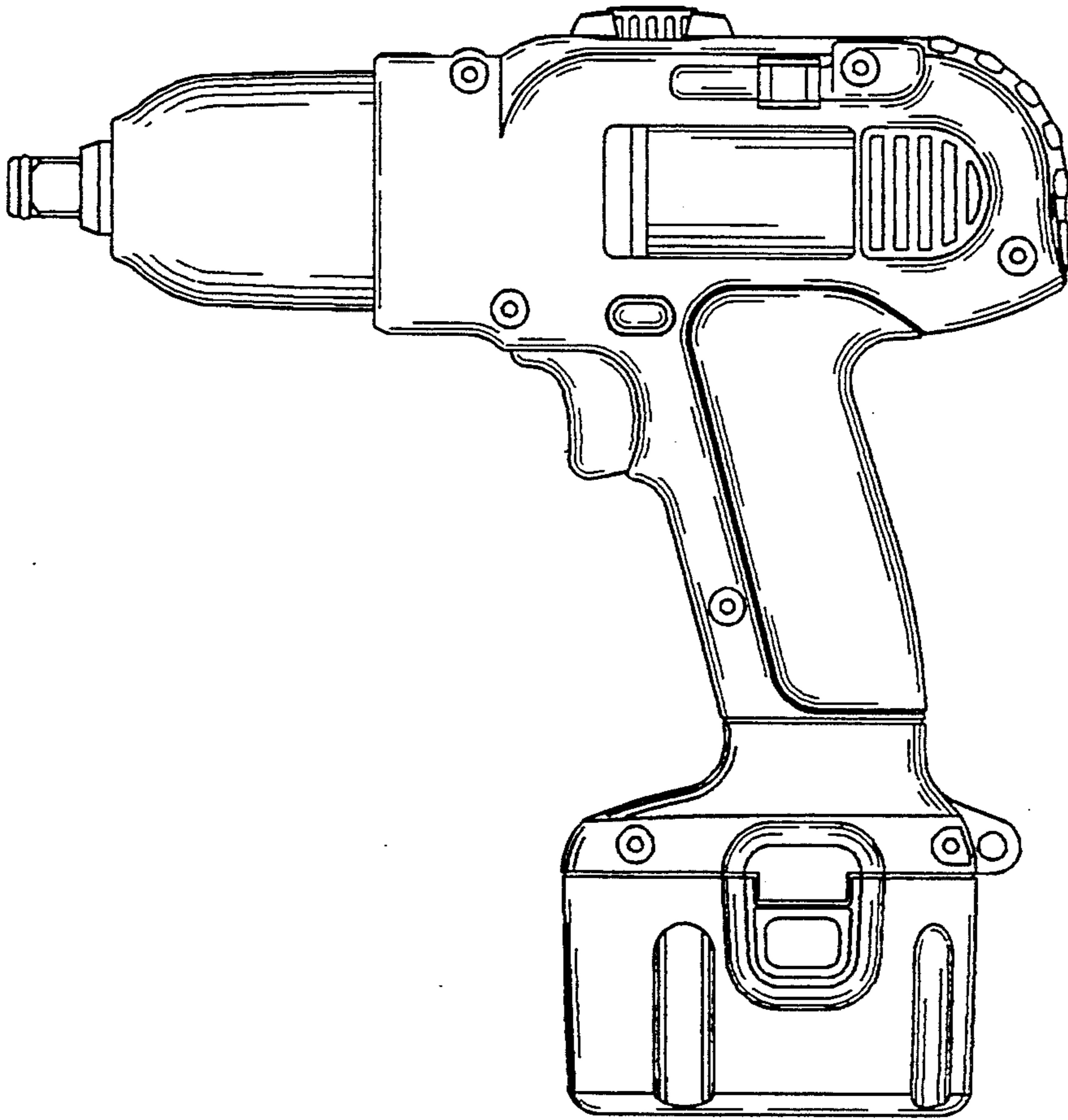


FIG. 43

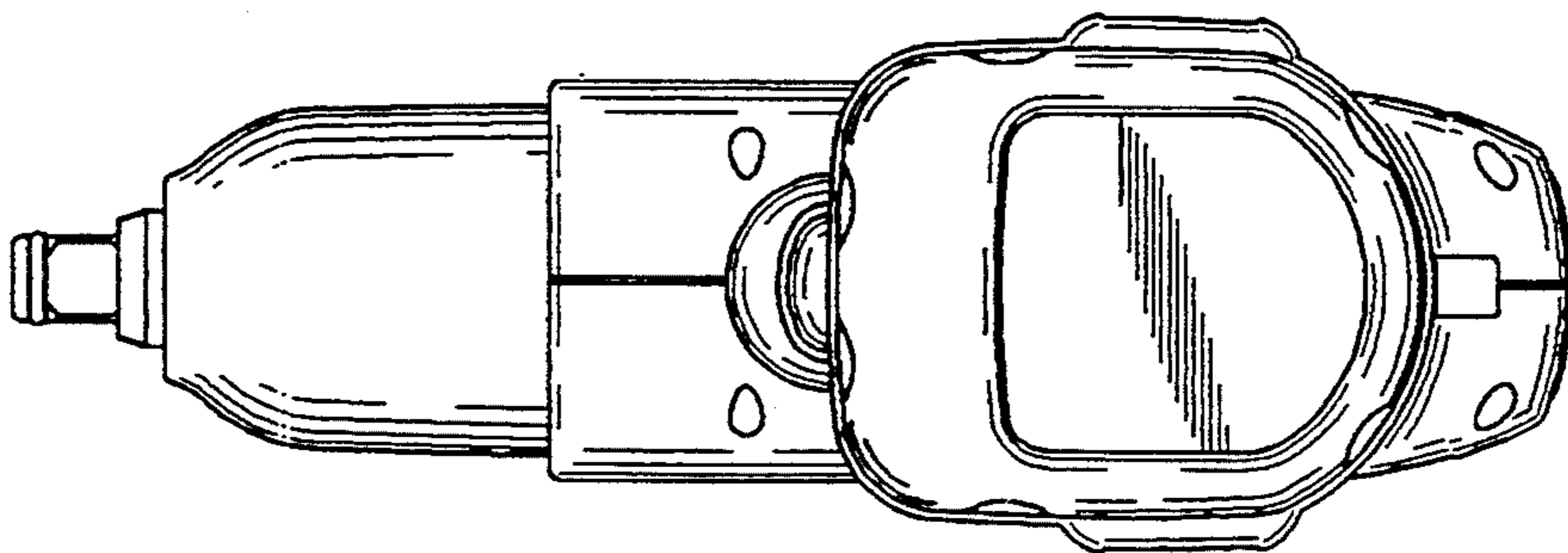


FIG. 44

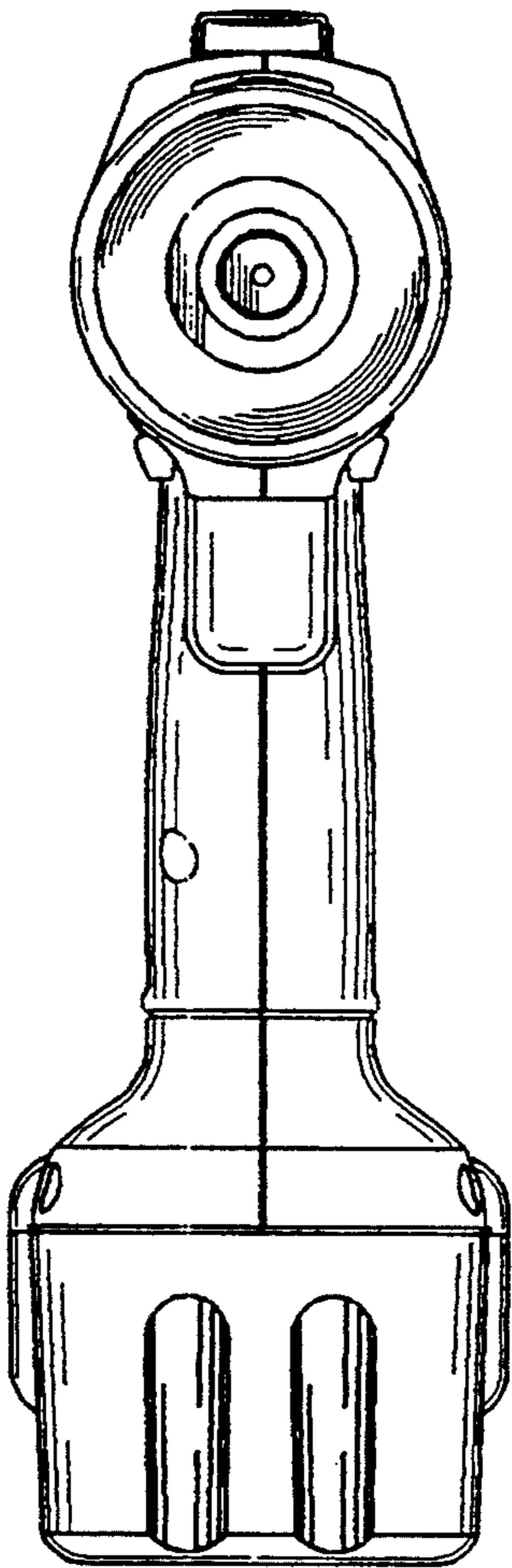


FIG. 45

