



US00D359214S

United States Patent [19]

Carlson, Jr. et al.

[11] Patent Number: **Des. 359,214**

[45] Date of Patent: **** Jun. 13, 1995**

[54] **WIRE STRIPPER AND STRAIGHTENER**

[75] Inventors: **Robert C. Carlson, Jr., Torrington; Christopher H. Cox, Tolland, both of Conn.; Richard D. Alvey, Jr., Fountain City, Ind.**

[73] Assignee: **The Siemon Company, Watertown, Conn.**

[**] Term: **14 Years**

[21] Appl. No.: **18,690**

[22] Filed: **Feb. 14, 1994**

[52] U.S. Cl. **D8/51; D8/98**

[58] Field of Search **D8/14, 51, 98; 30/90.4, 30/90.6, 91.1, 358, 91.2; 81/9.4, 9.43, 9.44**

[56] **References Cited**

U.S. PATENT DOCUMENTS

D. 279,545	7/1985	Norin et al.	D8/98
D. 299,692	2/1989	Steiner	D8/98
D. 301,115	5/1989	Chapin et al.	D8/51
D. 335,251	5/1993	Nilsson	D8/98
927,345	7/1909	Furlong	30/90.6
1,957,722	5/1934	Nixon .	
2,819,520	1/1958	Eyles .	
3,254,407	6/1966	Apa et al. .	
3,710,654	1/1973	Halverson et al.	81/9.5 R
3,800,418	4/1974	Schlueter	30/91.2
4,070,930	1/1978	Oprins	30/90.6
4,189,799	2/1980	Litehizer, Jr.	7/107
4,451,948	6/1984	Goodrich et al.	7/107
4,480,508	11/1984	Rich	81/9.5 R
4,485,696	12/1984	Bieganski	30/90.1
4,569,128	2/1986	Thomas	29/751
4,706,384	11/1987	Schreiber et al.	30/91.2

4,799,406	1/1989	Diaz-De-Guerenu-Aguir-rebeitia	30/90.6
4,829,671	5/1989	Cheng	30/90.1
4,905,373	3/1990	Krampe	30/90.6
4,986,148	1/1991	Krampe	81/9.4
5,036,734	8/1991	Morrow	81/9.44
5,060,329	10/1991	Hudson	7/107

FOREIGN PATENT DOCUMENTS

1203159	7/1959	France	30/9.04
2438361	4/1980	France .	

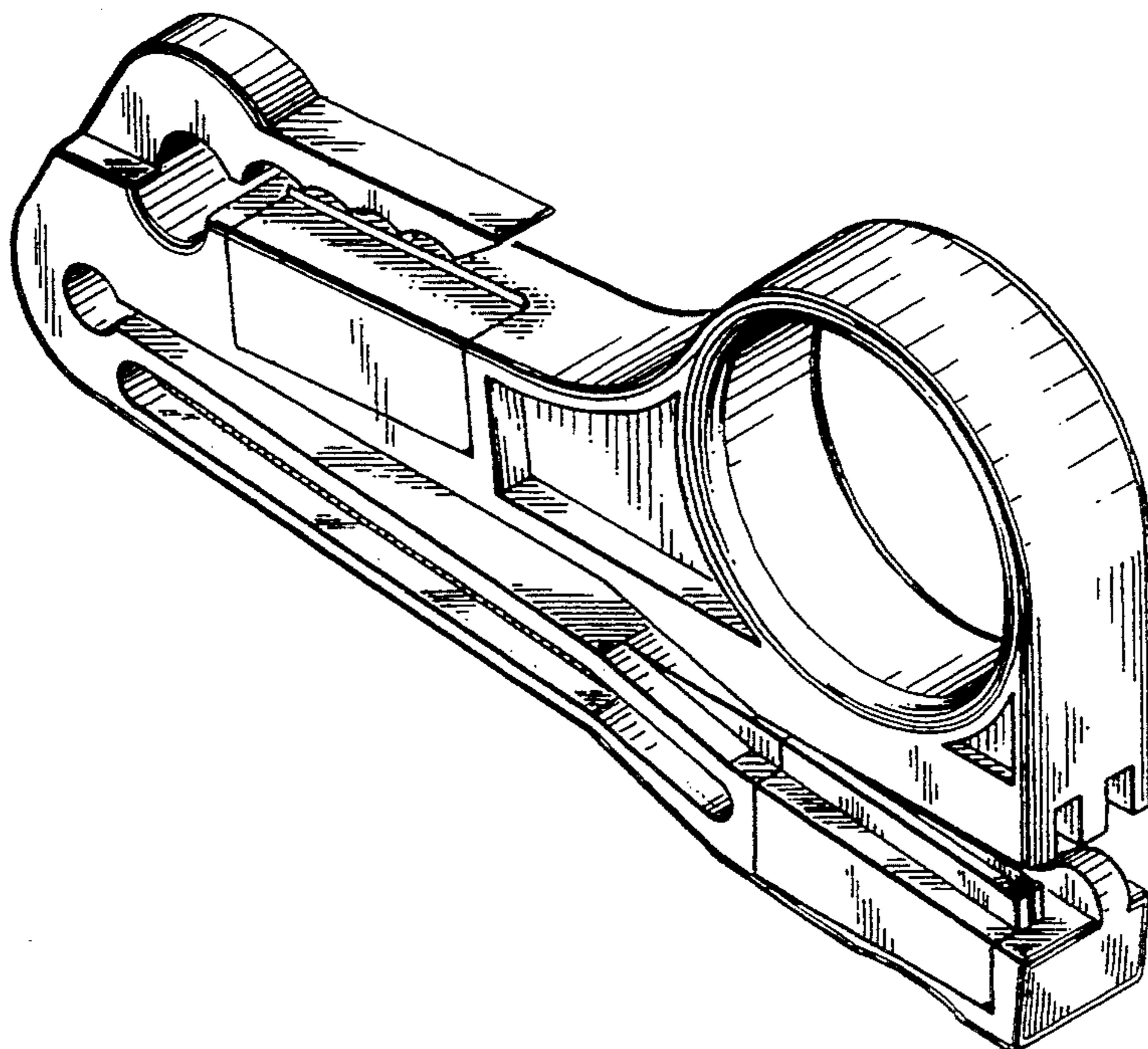
Primary Examiner—Prabhakar G. Deshmukh
Assistant Examiner—Philip Hyder
Attorney, Agent, or Firm—Fishman, Dionne & Cantor

[57] **CLAIM**

The ornamental design for a wire stripper and straightener, as shown and described.

DESCRIPTION

FIG. 1 shows a perspective view of my new design; FIG. 2 shows a top plan view of the design; FIG. 3 shows a right side elevational view thereof; FIG. 4 is an end view from the ring end of the tool; FIG. 5 is a left side elevational view of the tool; FIG. 6 is a sectional view taken along section lines 6—6 in FIG. 5; FIG. 7 is a sectional view of the tool taken along section lines 7—7 in FIG. 5; FIG. 8 is a bottom plan view of the tool; FIG. 9 is an end view of the tool taken from the end opposite the ring; FIG. 10 is a cross-sectional view taken along section lines 10—10 in FIG. 5; and, FIG. 11 is a cross-sectional view taken along section lines 11—11 in FIG. 5.



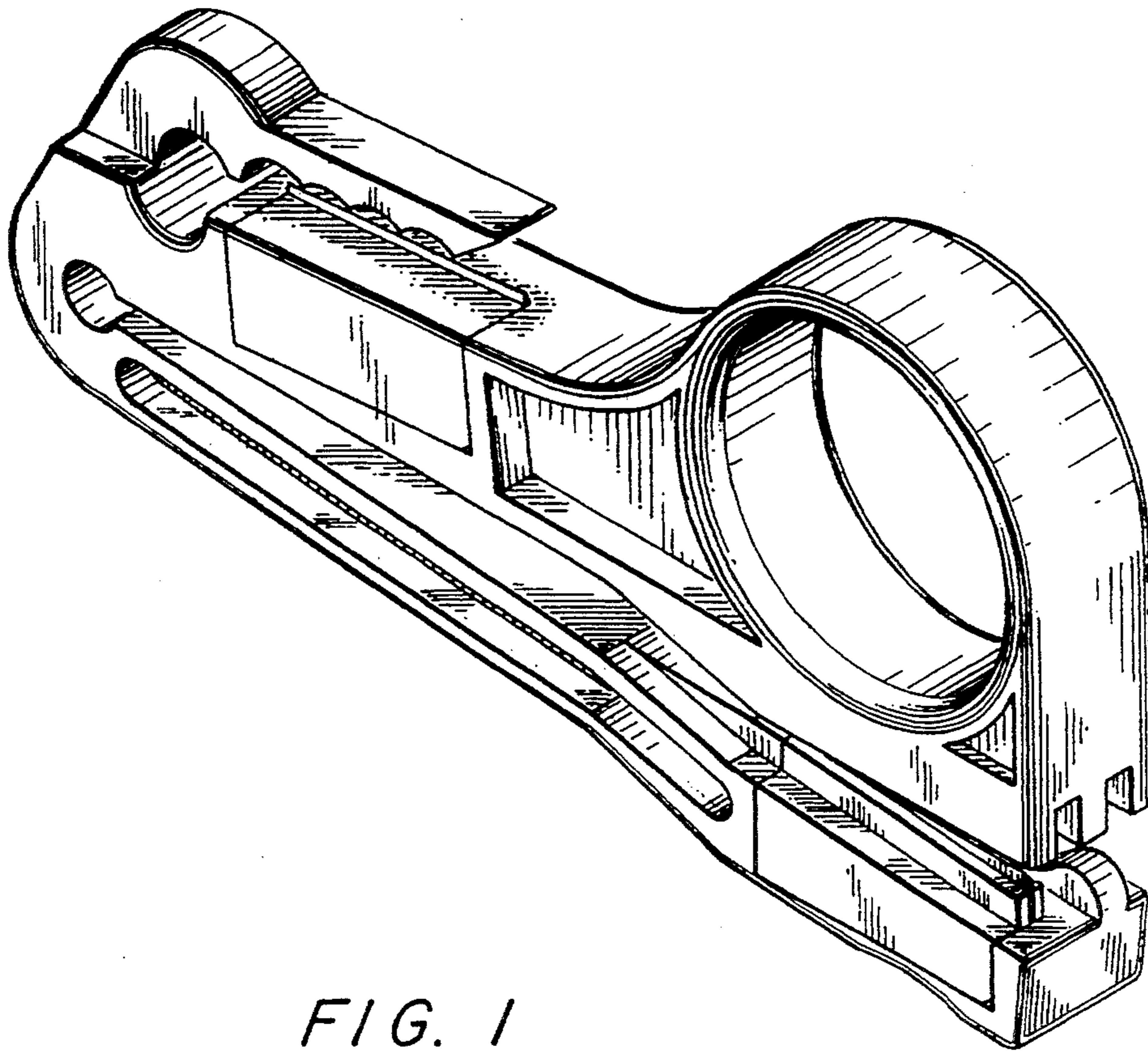


FIG. 1



FIG. 2

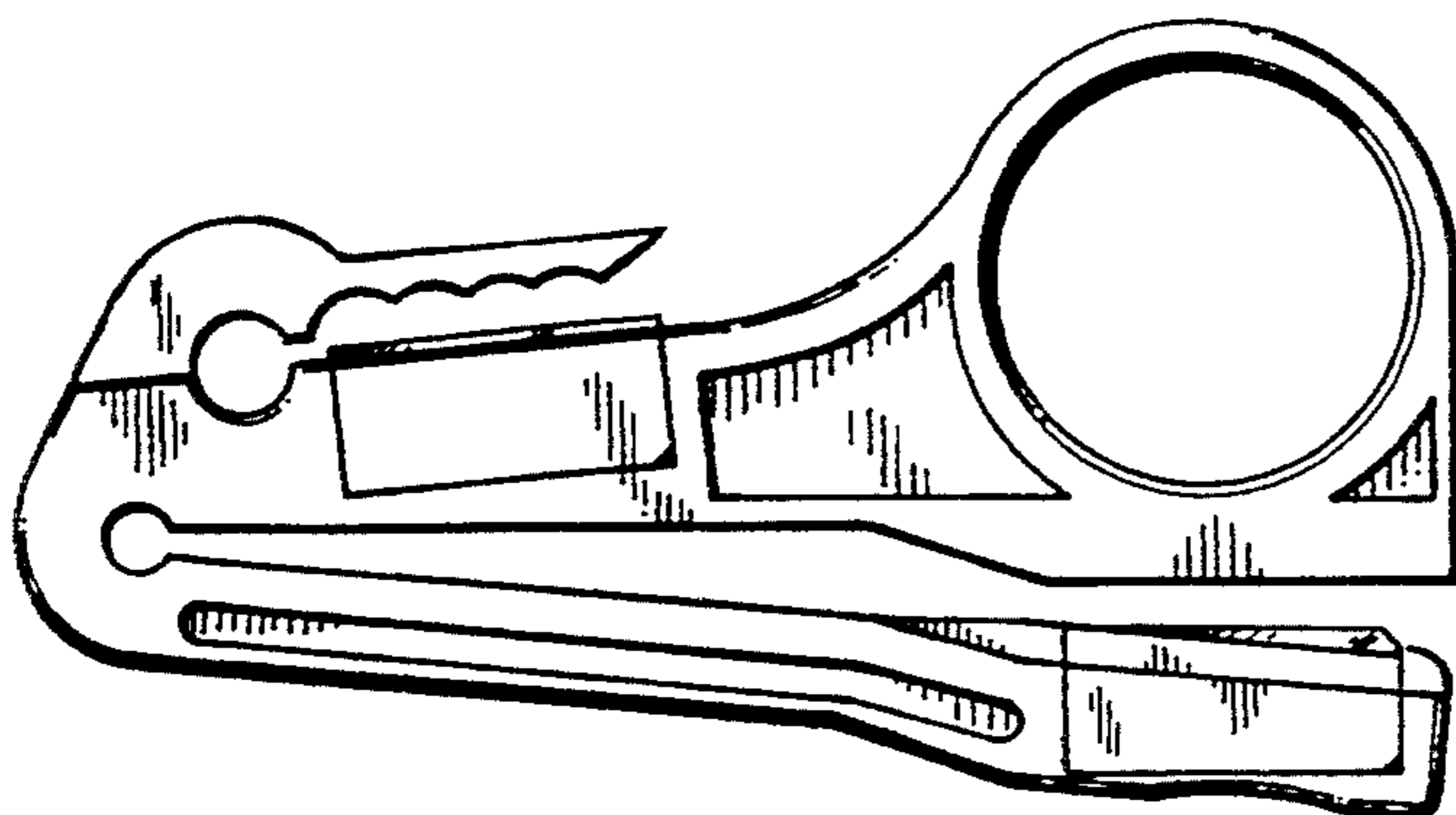


FIG. 3



FIG. 4



FIG. 9

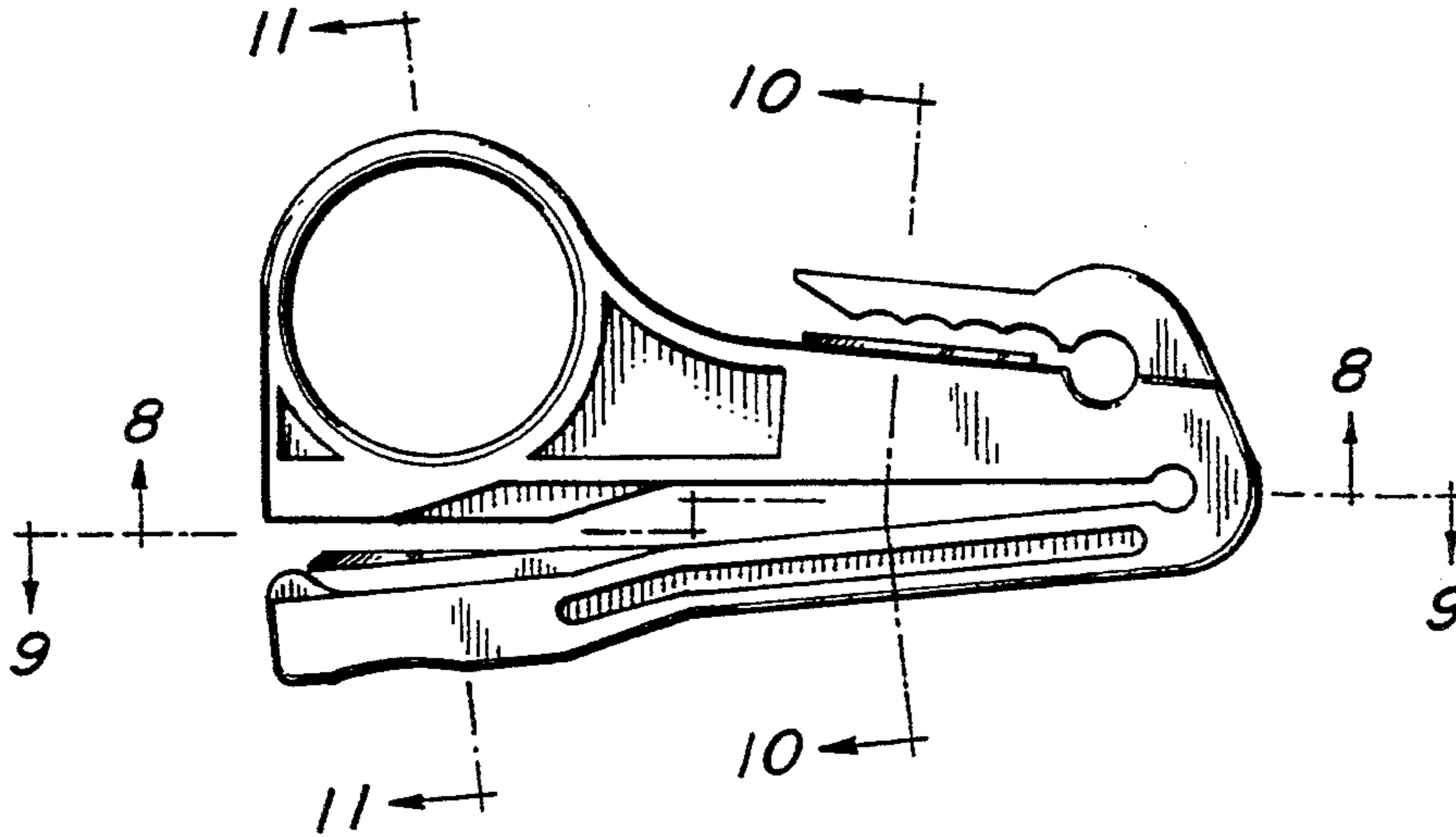


FIG. 5



FIG. 6



FIG. 8



FIG. 10

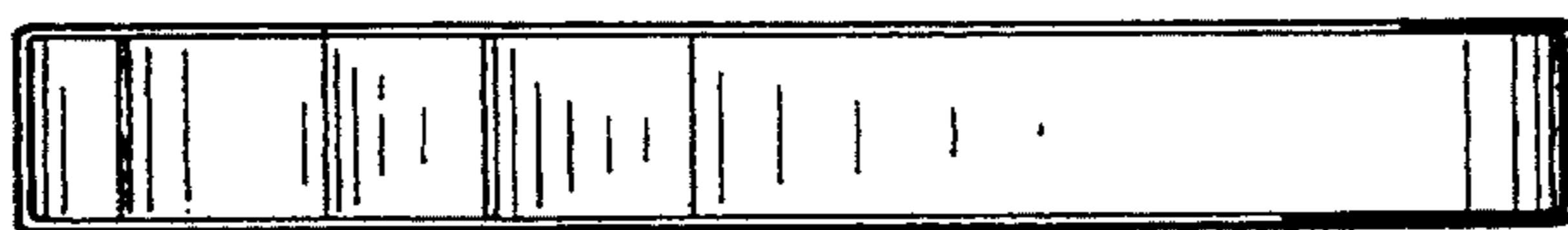


FIG. 7



FIG. 11