



US00D359212S

United States Patent [19]
Skiba

[11] **Patent Number: Des. 359,212**
[45] **Date of Patent: ** Jun. 13, 1995**

[54] **BOX WRENCH**

[76] **Inventor: Carl E. Skiba**, 6395 N. Alamando Rd., Coleman, Mich. 48618

[**] **Term: 14 Years**

[21] **Appl. No.: 15,347**

[22] **Filed: Nov. 15, 1993**

[52] **U.S. Cl. D8/28**

[58] **Field of Search D8/14, 25, 21, 28; 81/52, 77, 119, 120, 121.1, 125.1, 58, 58.2, 59.1, 60, 124.4, 125**

[56] **References Cited**

U.S. PATENT DOCUMENTS

D. 224,677	8/1972	Lehnhard	D8/28
D. 299,206	1/1989	Krapowicz et al.	D8/28
3,023,654	3/1962	Stambaugh et al.	D8/25 X
5,323,672	6/1994	Skiba	81/125

OTHER PUBLICATIONS

Sears Power & Handtools p. 27 Combination Wrench 1990.

Snap On Tools p. 127-F Combination Wrench 1990.

Primary Examiner—Terry A. Wallace

Assistant Examiner—Richelle Shelton

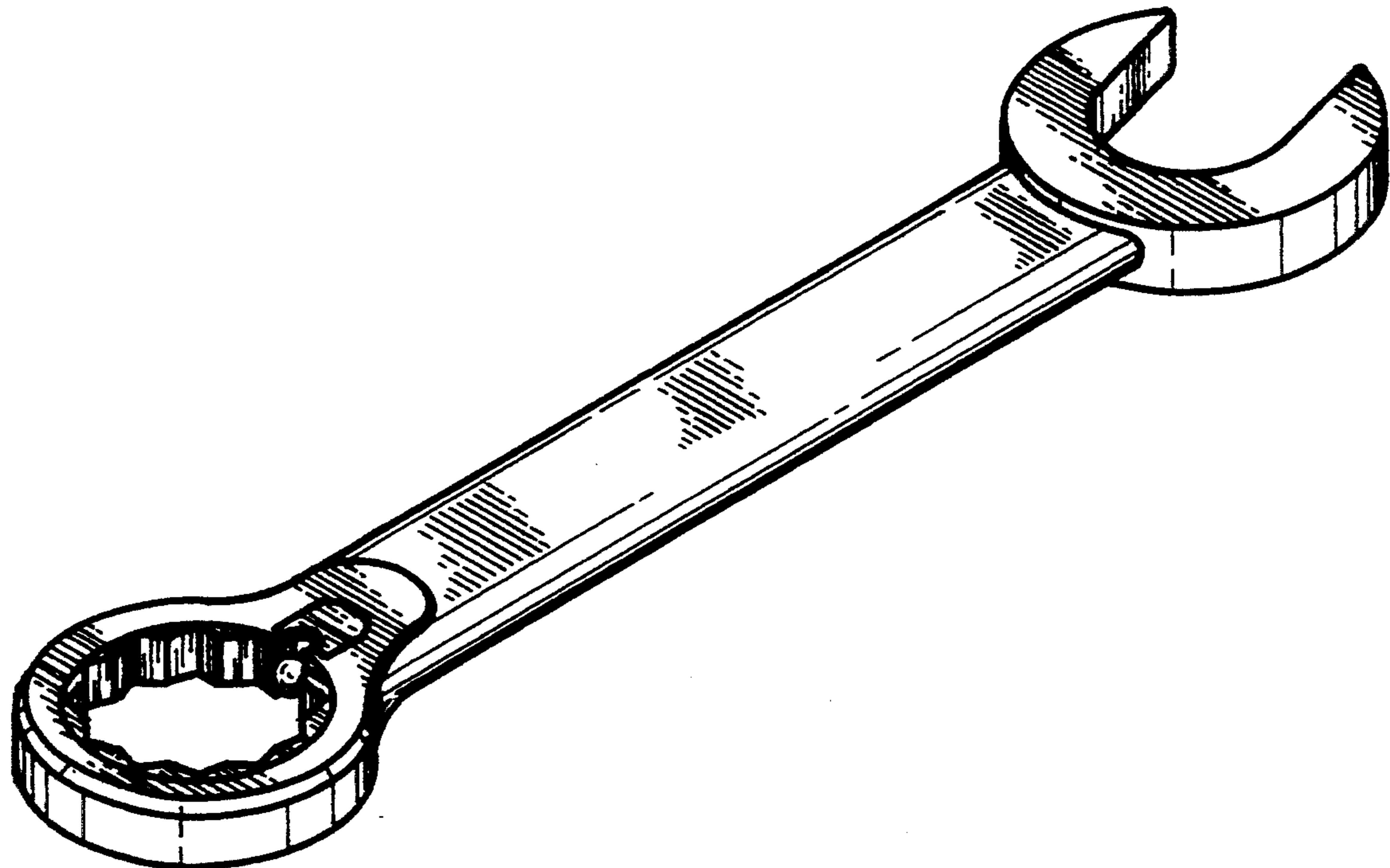
Attorney, Agent, or Firm—Terry M. Gernstein

[57] **CLAIM**

The ornamental design for a box wrench, as shown and described.

DESCRIPTION

FIG. 1 is a front, top and side perspective view of the box wrench showing my new design;
FIG. 2 is a front end elevational view thereof;
FIG. 3 is a rear end elevational view thereof;
FIG. 4 is a side elevational view thereof;
FIG. 5 is a side elevational view thereof; and,
FIG. 6 is a top plan view thereof, the bottom view being a mirror image of the top view shown in FIG. 6.



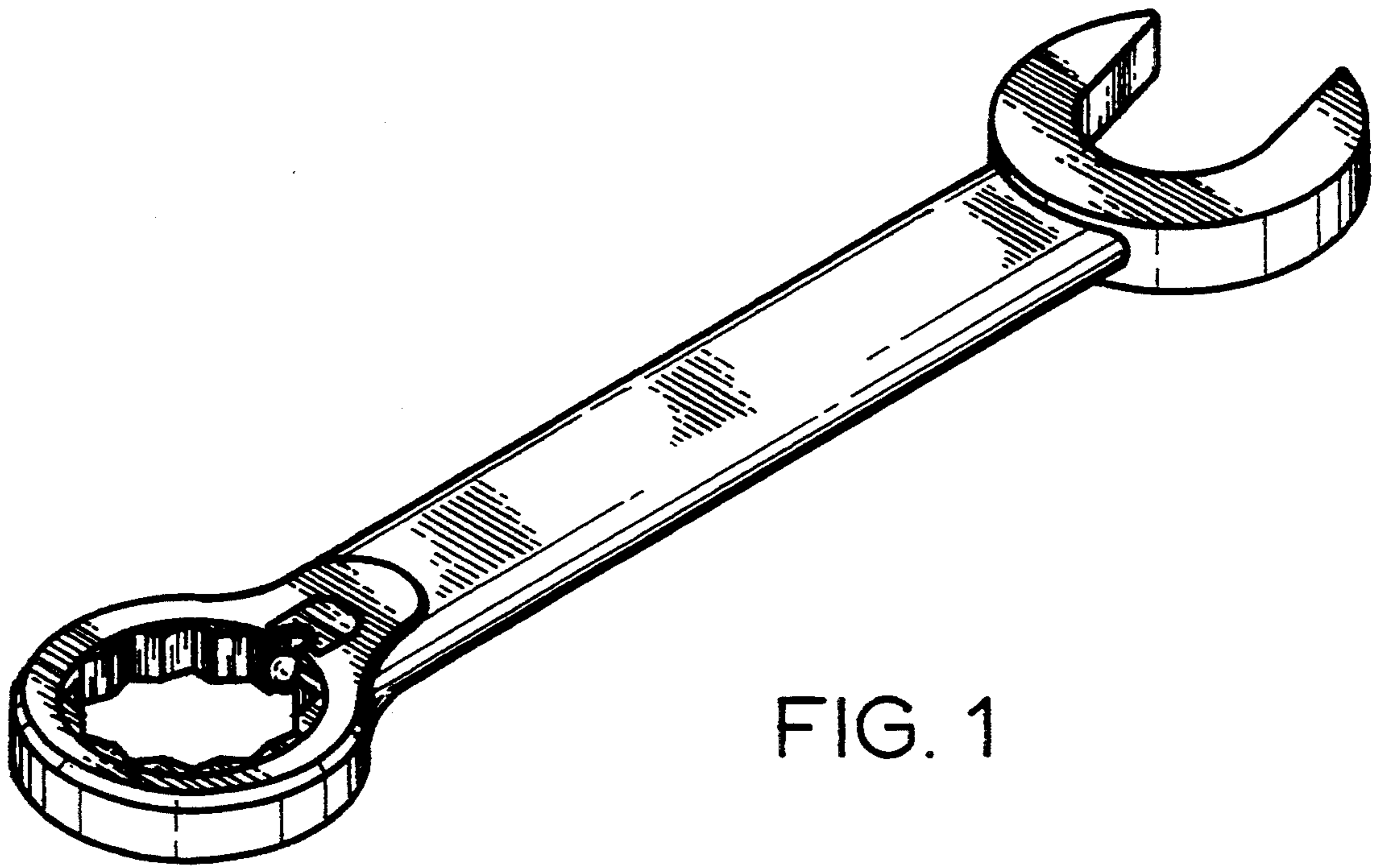


FIG. 1



FIG. 2



FIG. 3

FIG. 4

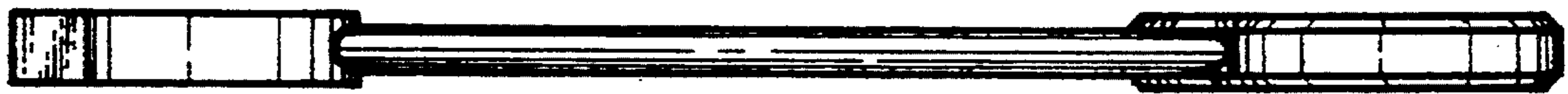


FIG. 5

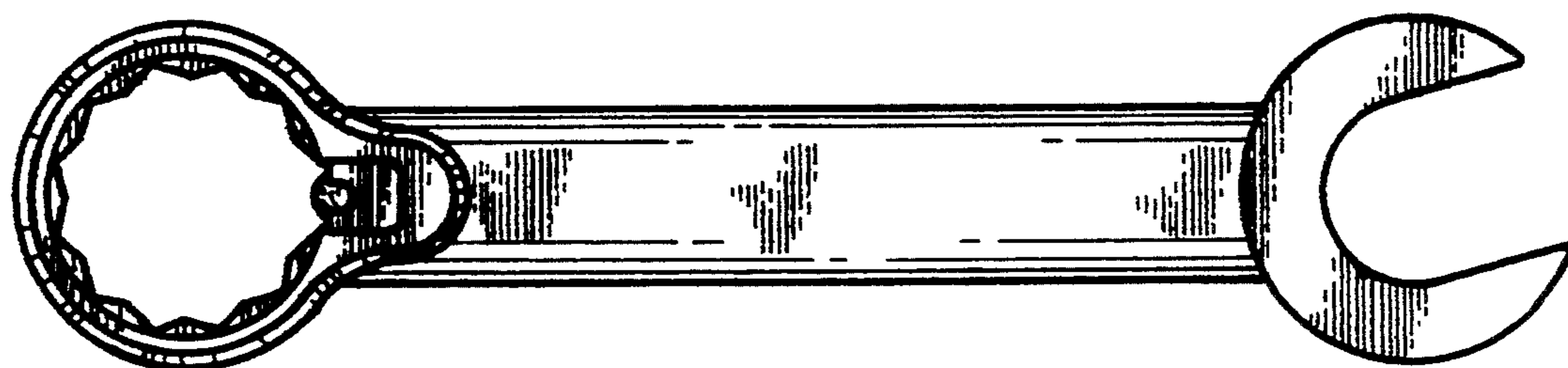


FIG. 6