



US00D359211S

# United States Patent [19]

[11] Patent Number: **Des. 359,211**

**Knox et al.**

[45] Date of Patent: **\*\* Jun. 13, 1995**

[54] **COMPACT FOLDING WRENCH**

[75] Inventors: **Robert L. Knox, Shiloh; John C. Reddy, Columbus, both of Ga.**

[73] Assignee: **J. H. Williams Company, Columbus, Ga.**

[\*\*] Term: **14 Years**

[21] Appl. No.: **14,851**

[22] Filed: **Nov. 1, 1993**

### Related U.S. Application Data

[63] Continuation-in-part of Ser. No. 112,625, Aug. 27, 1993.

[52] U.S. Cl. .... **D8/25**

[58] Field of Search ..... **D8/14, 17, 21-29, D8/107; 81/52, 60-632, 119, 120, 121.1, 177.1, 177.2, 177.6, 177.7, 436, 488**

[56] **References Cited**

#### U.S. PATENT DOCUMENTS

- D. 255,979 7/1980 Boursaw .
- D. 268,805 5/1983 Kowalewicz ..... D8/27
- D. 292,771 11/1987 Kim .
- D. 306,127 2/1990 Graham et al. .... D8/21 X
- 818,761 4/1906 Hanes et al. .
- 854,174 5/1907 Noyer ..... 81/63.2
- 2,628,522 2/1953 Kraft ..... D8/17 X
- 2,764,048 9/1956 Thompson .
- 2,891,434 6/1959 Lozensky .
- 3,356,117 12/1967 Wagner .
- 4,611,514 9/1986 Hyde .
- 4,791,837 12/1988 Main .
- 5,005,448 4/1991 Main .

#### OTHER PUBLICATIONS

Sears Power & Hand Tools 1990 p. 28 Mini Flex-Head.

*Primary Examiner*—Terry A. Wallace

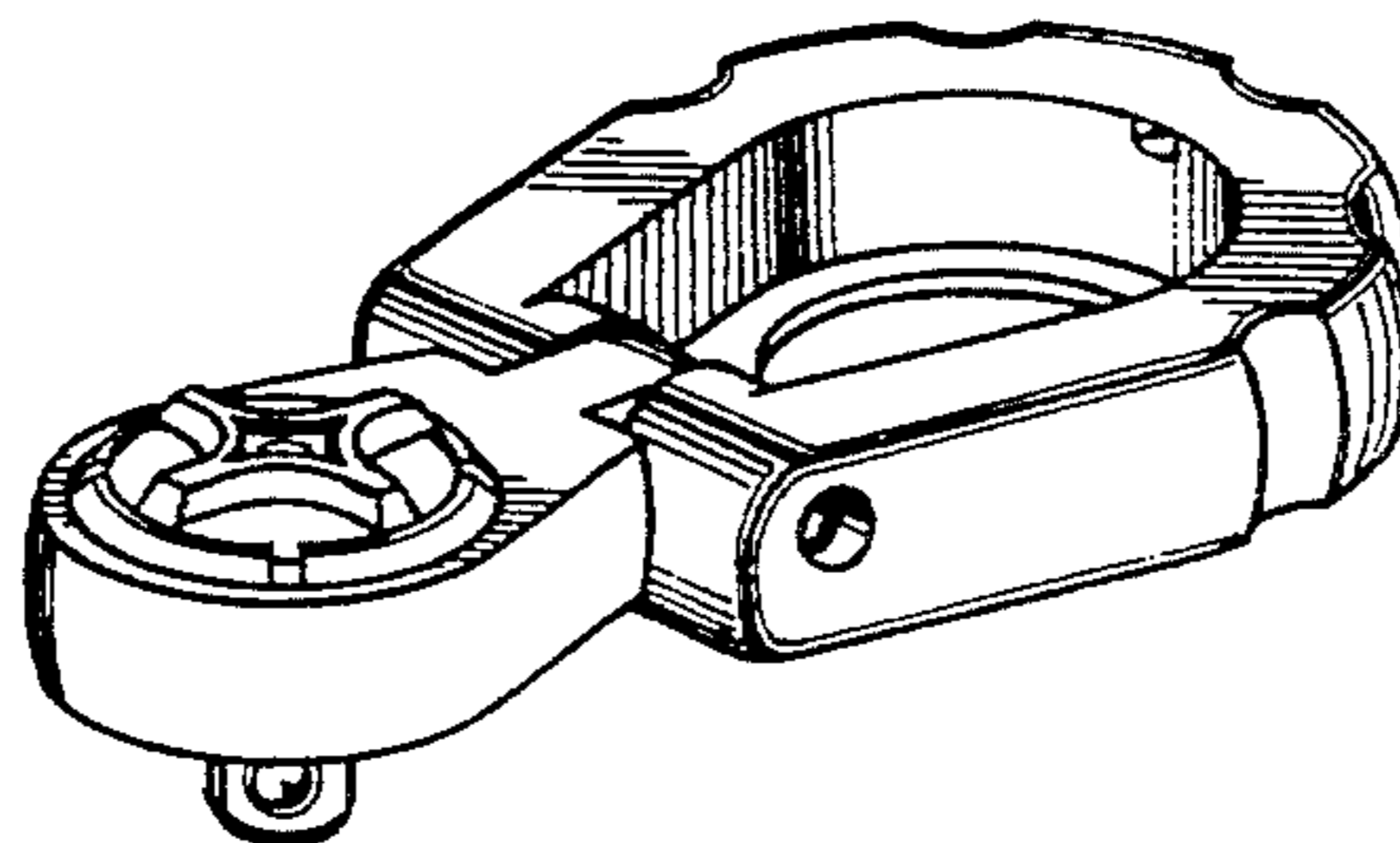
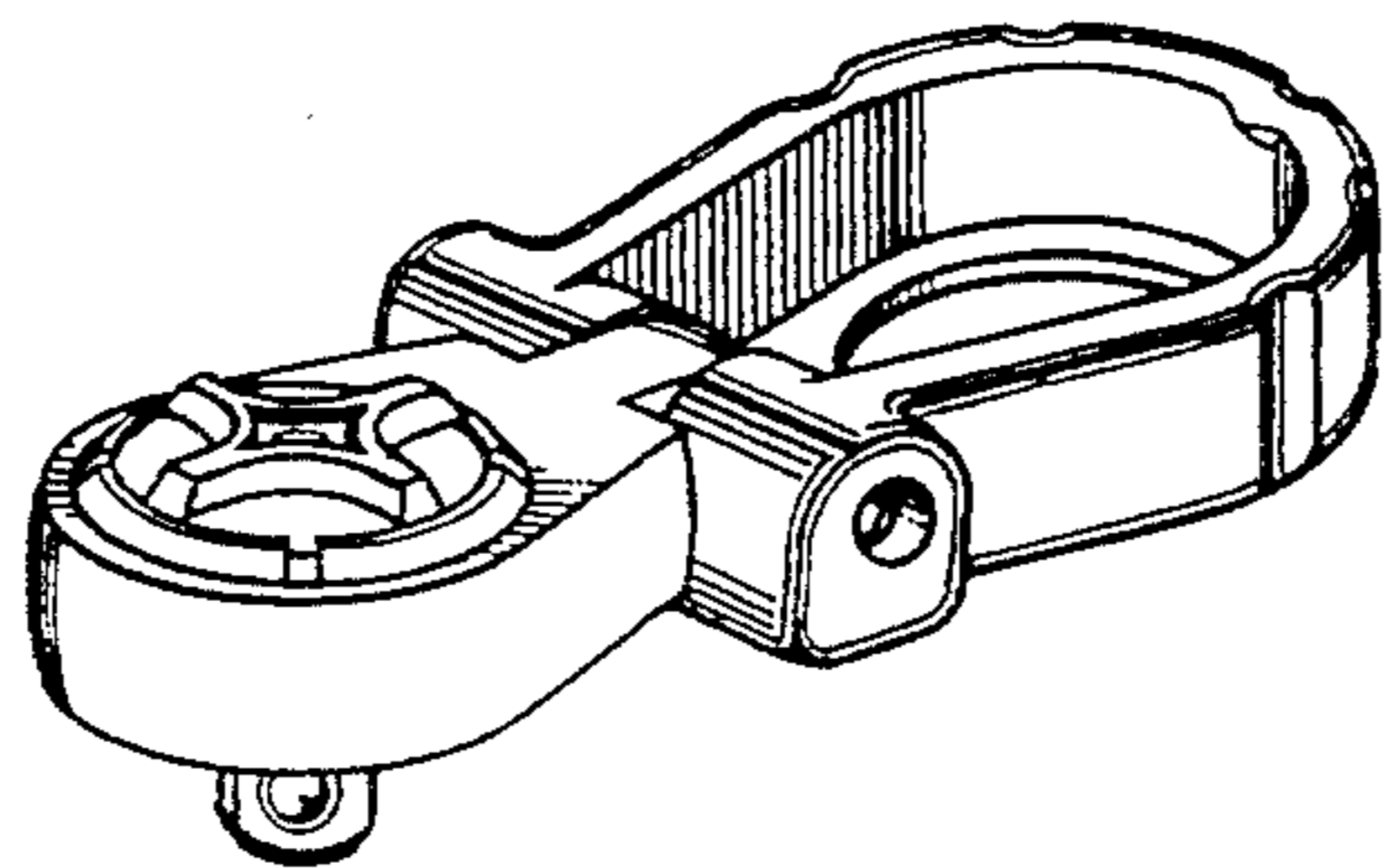
*Assistant Examiner*—Richelle Shelton  
*Attorney, Agent, or Firm*—Kilpatrick & Cody

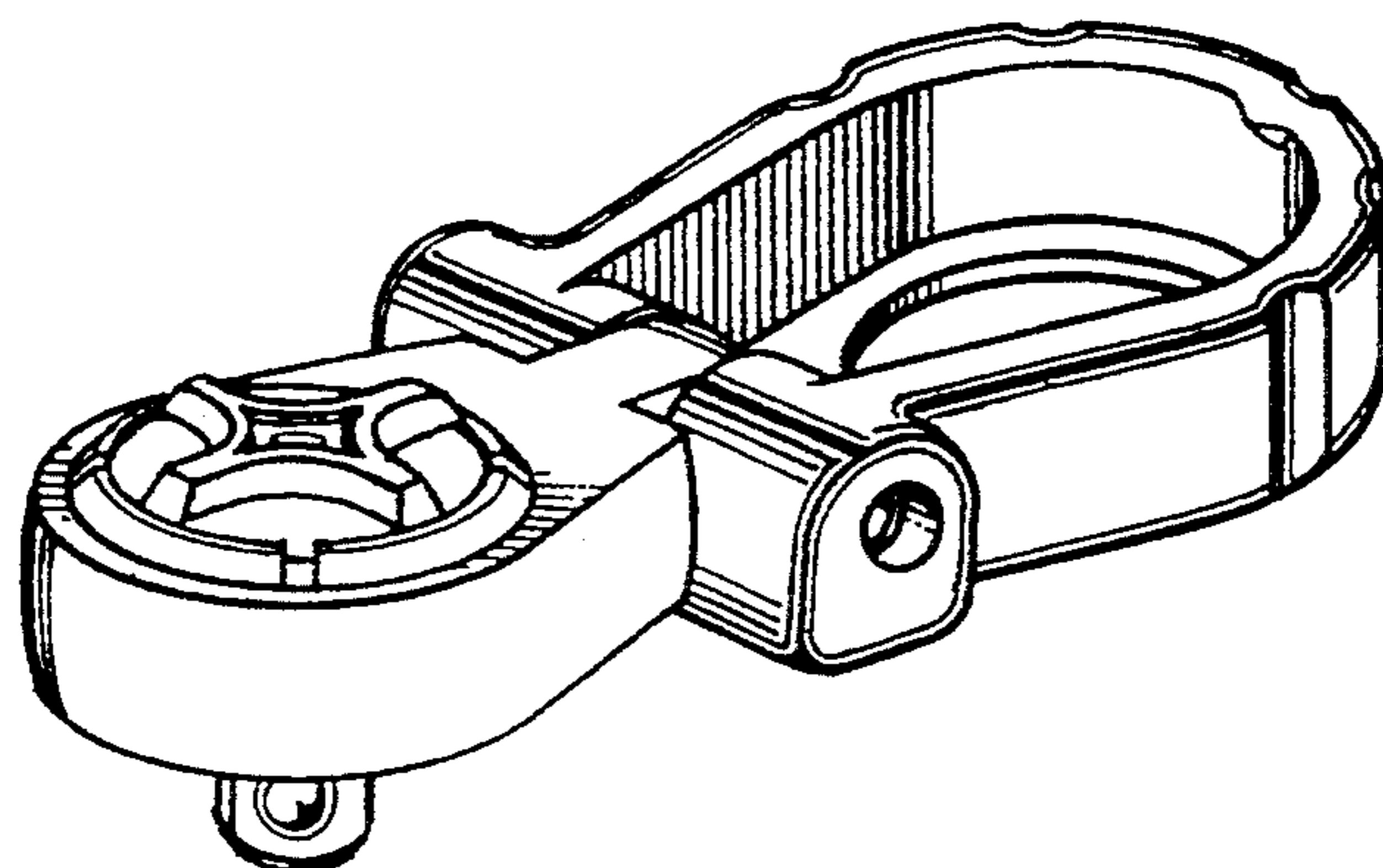
[57] **CLAIM**

The ornamental design for a compact folding wrench, as shown and described.

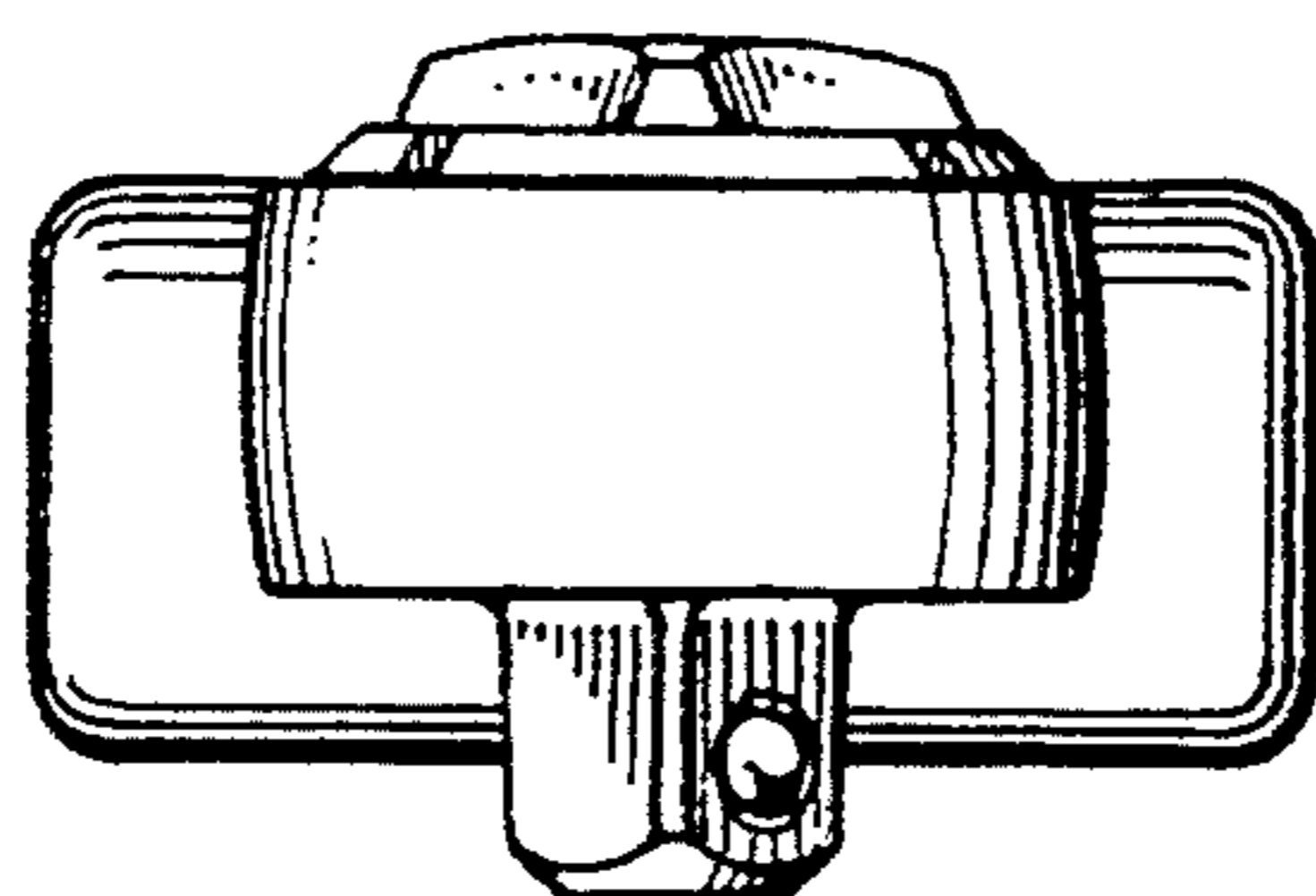
### DESCRIPTION

FIG. 1 is a top, front perspective view of a compact folding wrench showing my new design; FIG. 2 is a front elevation view thereof; FIG. 3 is a rear elevation view thereof; FIG. 4 is a top plan view thereof; FIG. 5 is a left side elevation view thereof; FIG. 6 is a bottom plan view thereof; FIG. 7 is a right side elevation view thereof; FIG. 8 is a top, front perspective view of FIG. 1 in the folded position; FIG. 9 is a front elevation view thereof; FIG. 10 is a rear elevation view thereof; FIG. 11 is a top plan view thereof; FIG. 12 is left side elevation view thereof; FIG. 13 is a bottom plan view thereof; FIG. 14 is a right side elevation view thereof; FIG. 15 is a top, front perspective view of an alternate embodiment of FIG. 1; FIG. 16 is a front elevation view thereof; FIG. 17 is a rear elevation view thereof; FIG. 18 is a top plan view thereof; FIG. 19 is a left side elevation view thereof; FIG. 20 is a bottom plan view thereof; FIG. 21 is a right side elevation view thereof; FIG. 22 is a top, front perspective view of FIG. 15 in the folded position; FIG. 23 is a front elevation view thereof; FIG. 24 is a rear elevation view thereof; FIG. 25 is a top plan view thereof; FIG. 26 is a left elevation view thereof; FIG. 27 is bottom plan view thereof; and, FIG. 28 is a right side elevation view thereof.

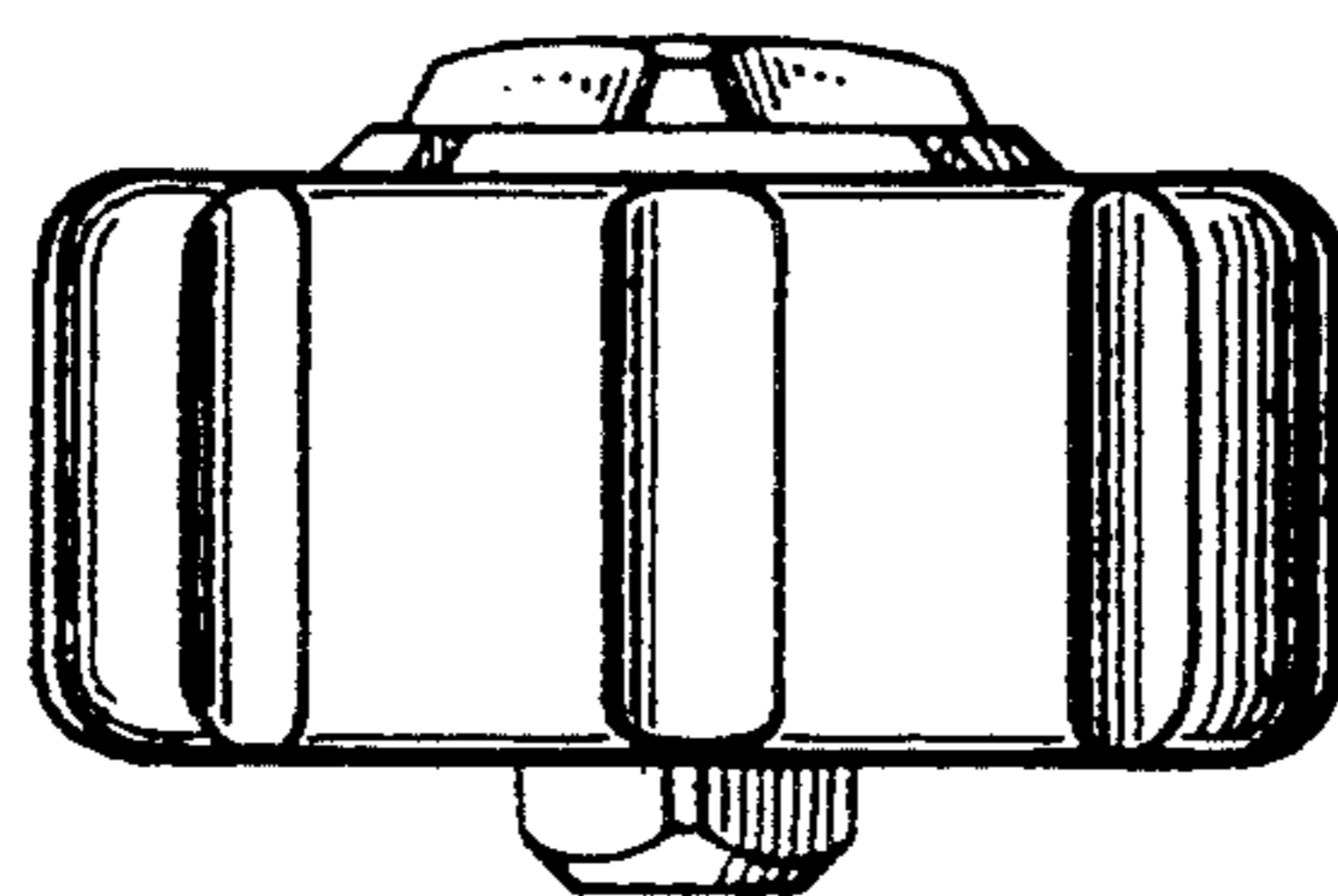




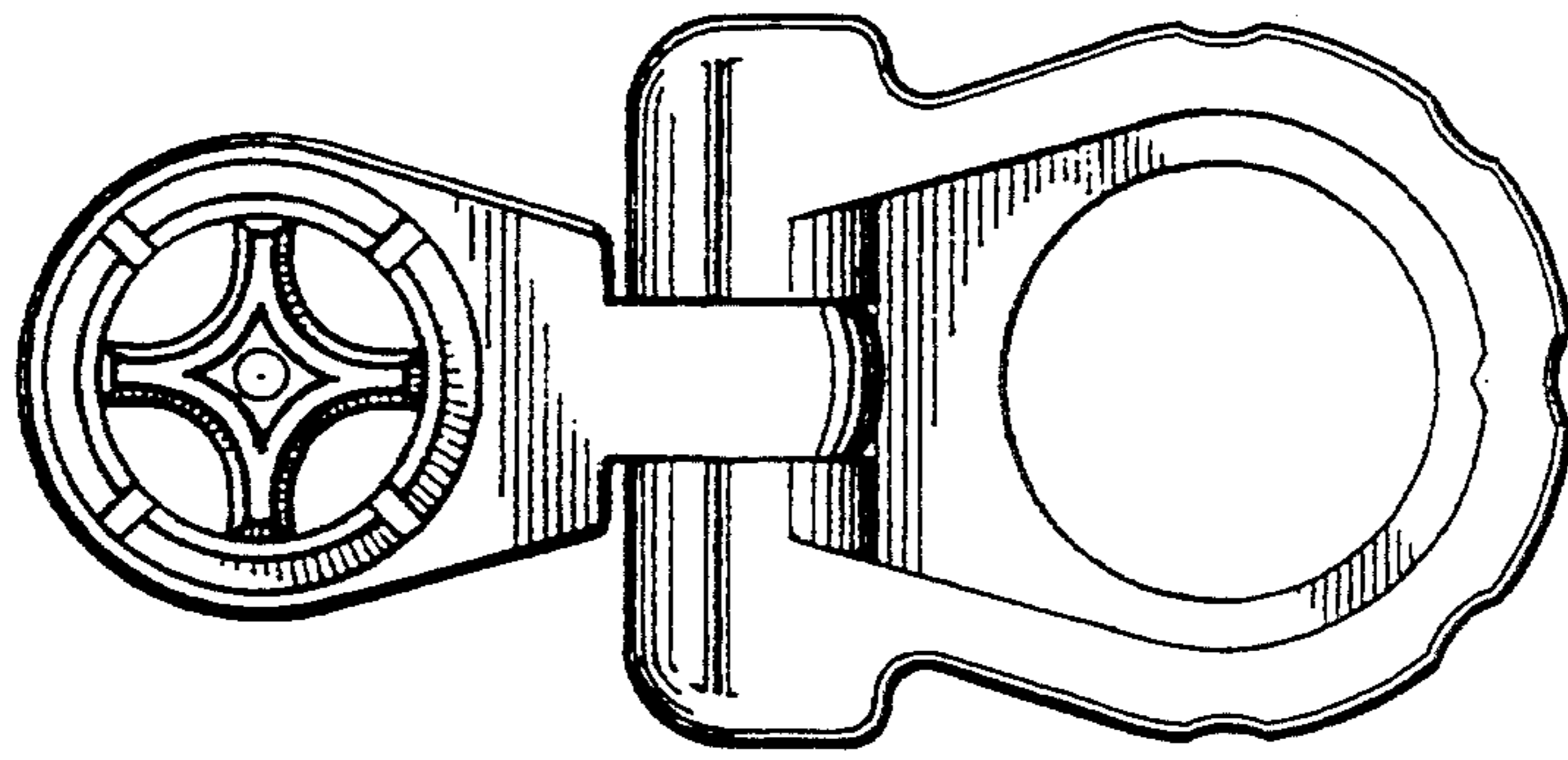
**FIG 1**



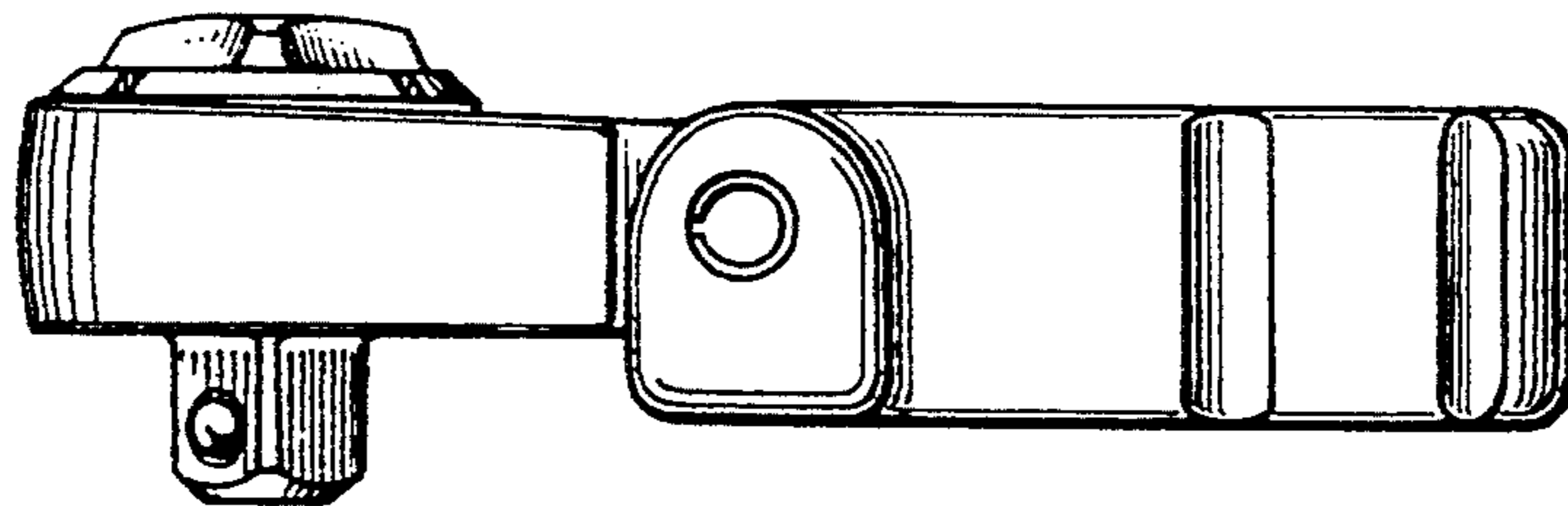
**FIG 2**



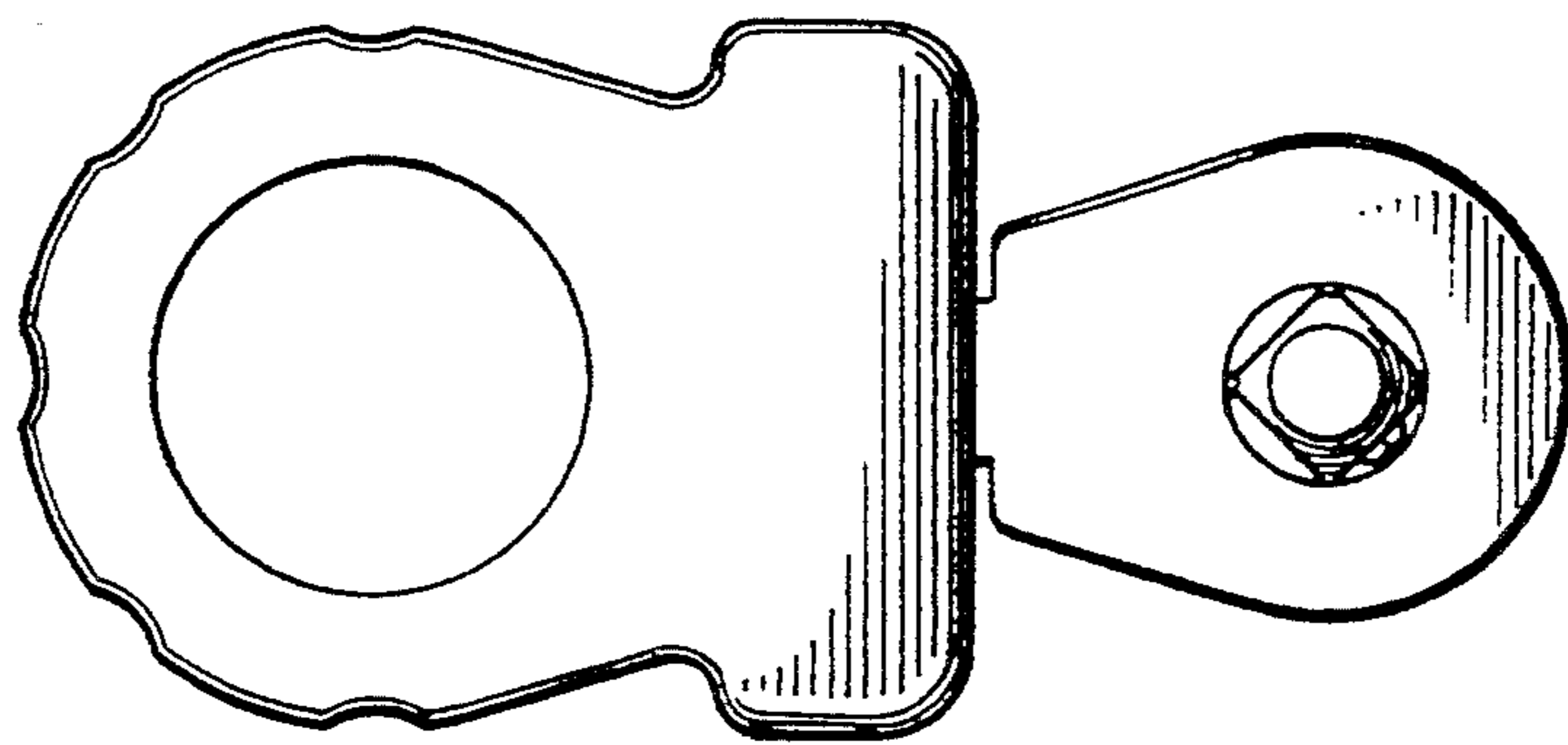
**FIG 3**



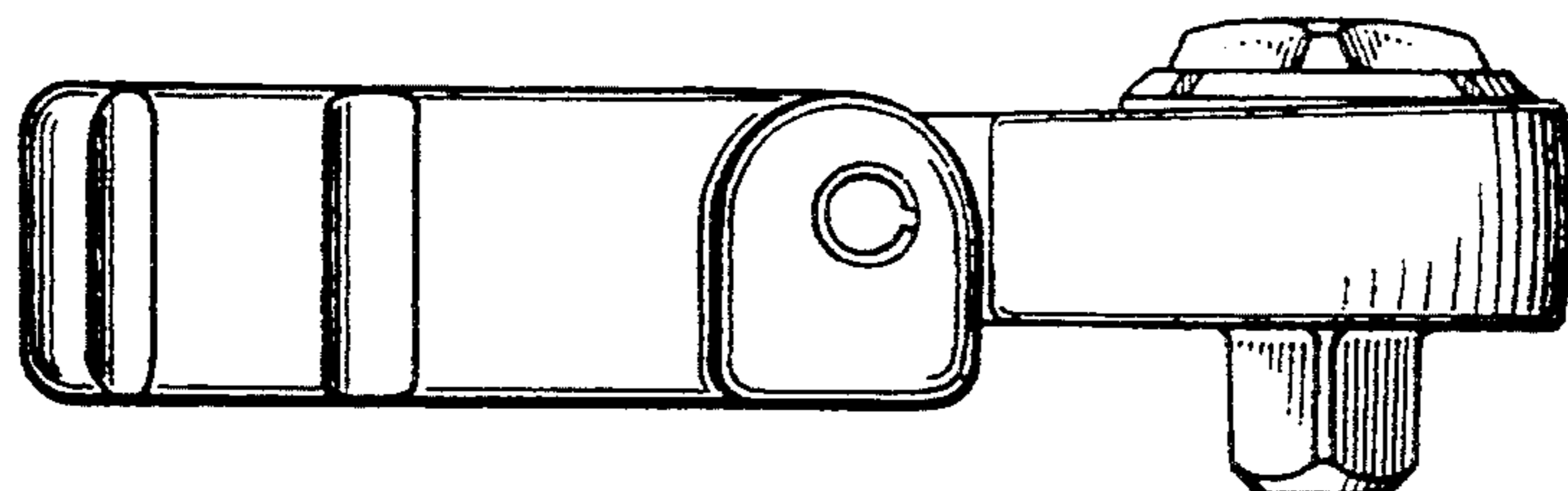
**FIG 4**



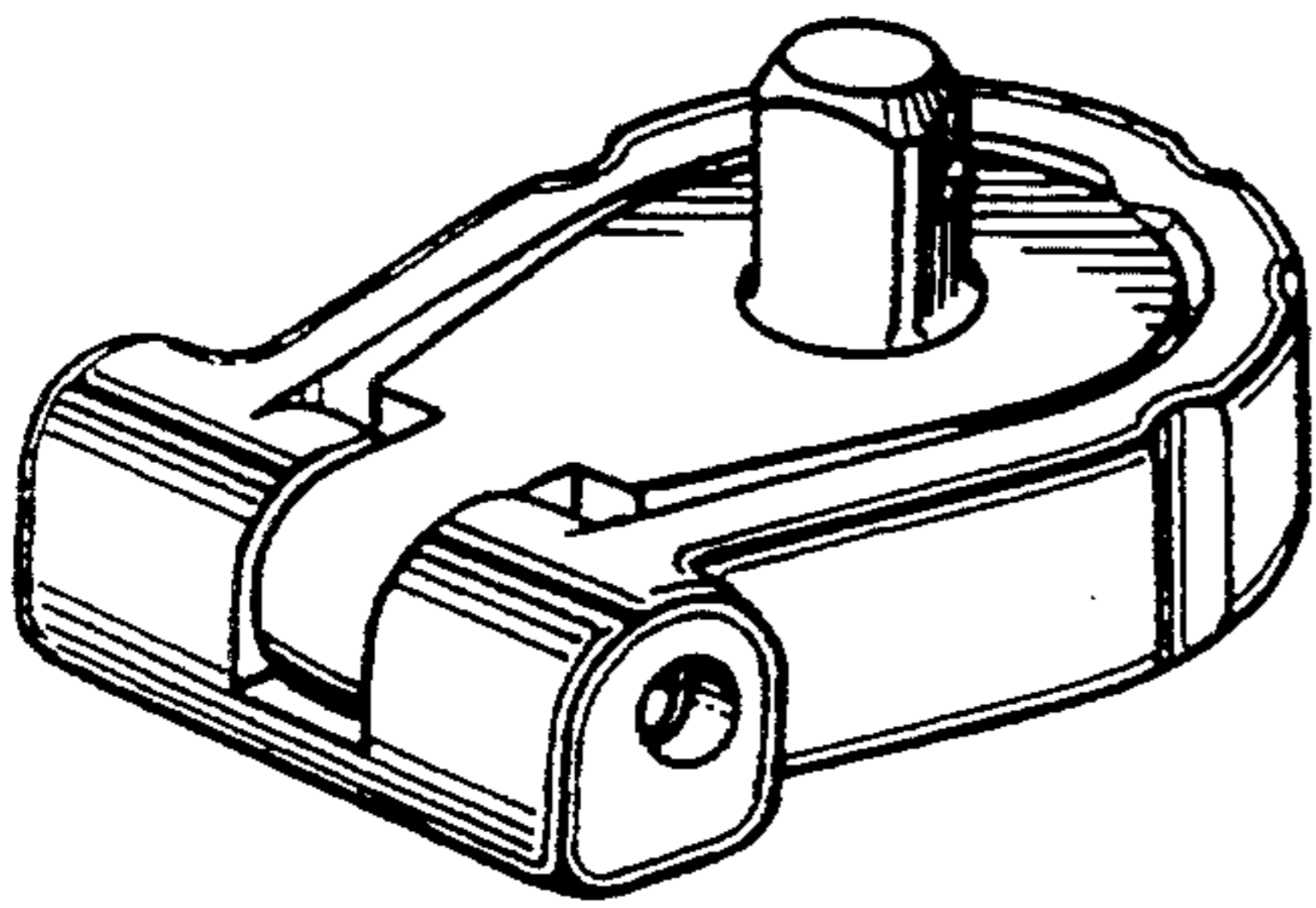
**FIG 5**



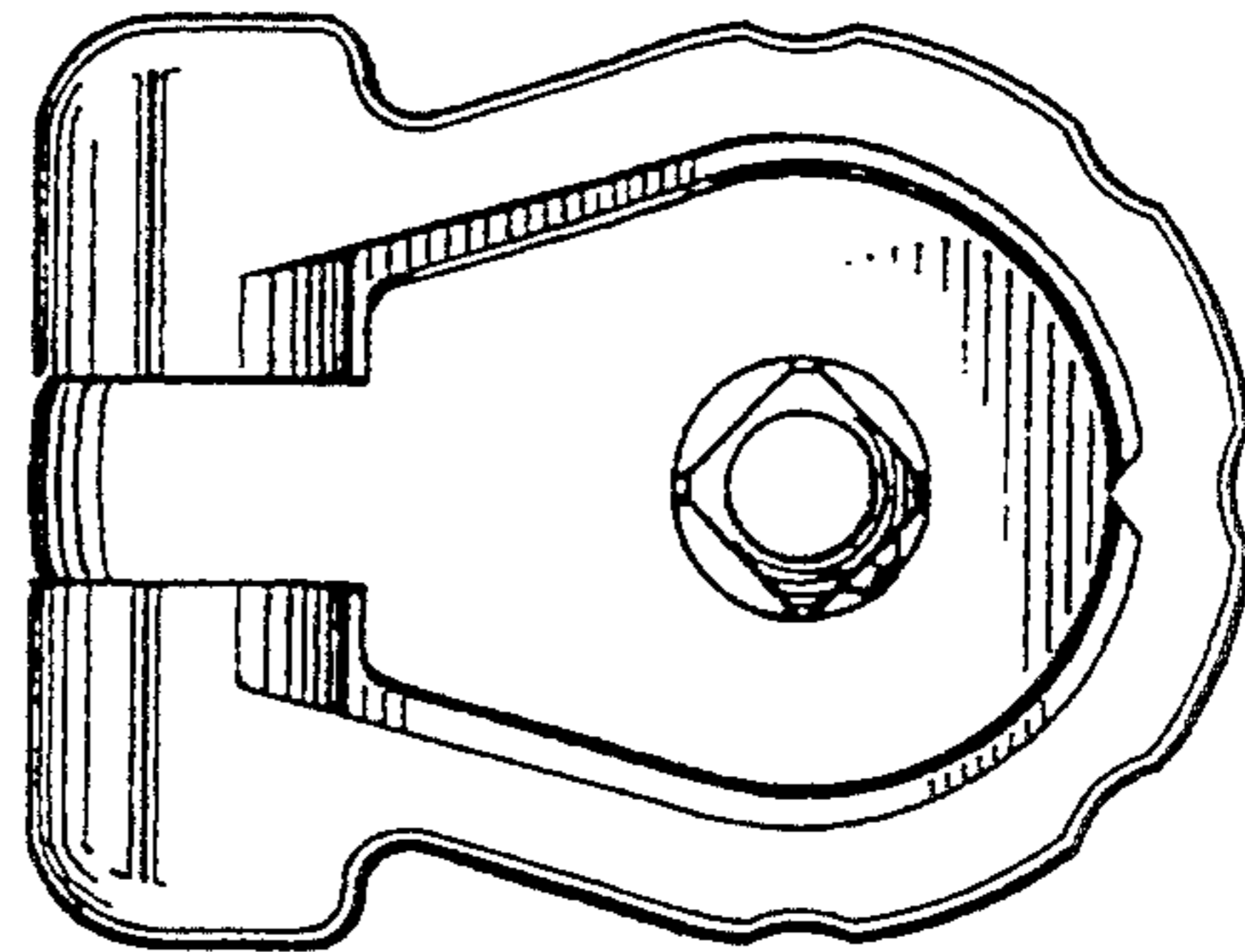
**FIG 6**



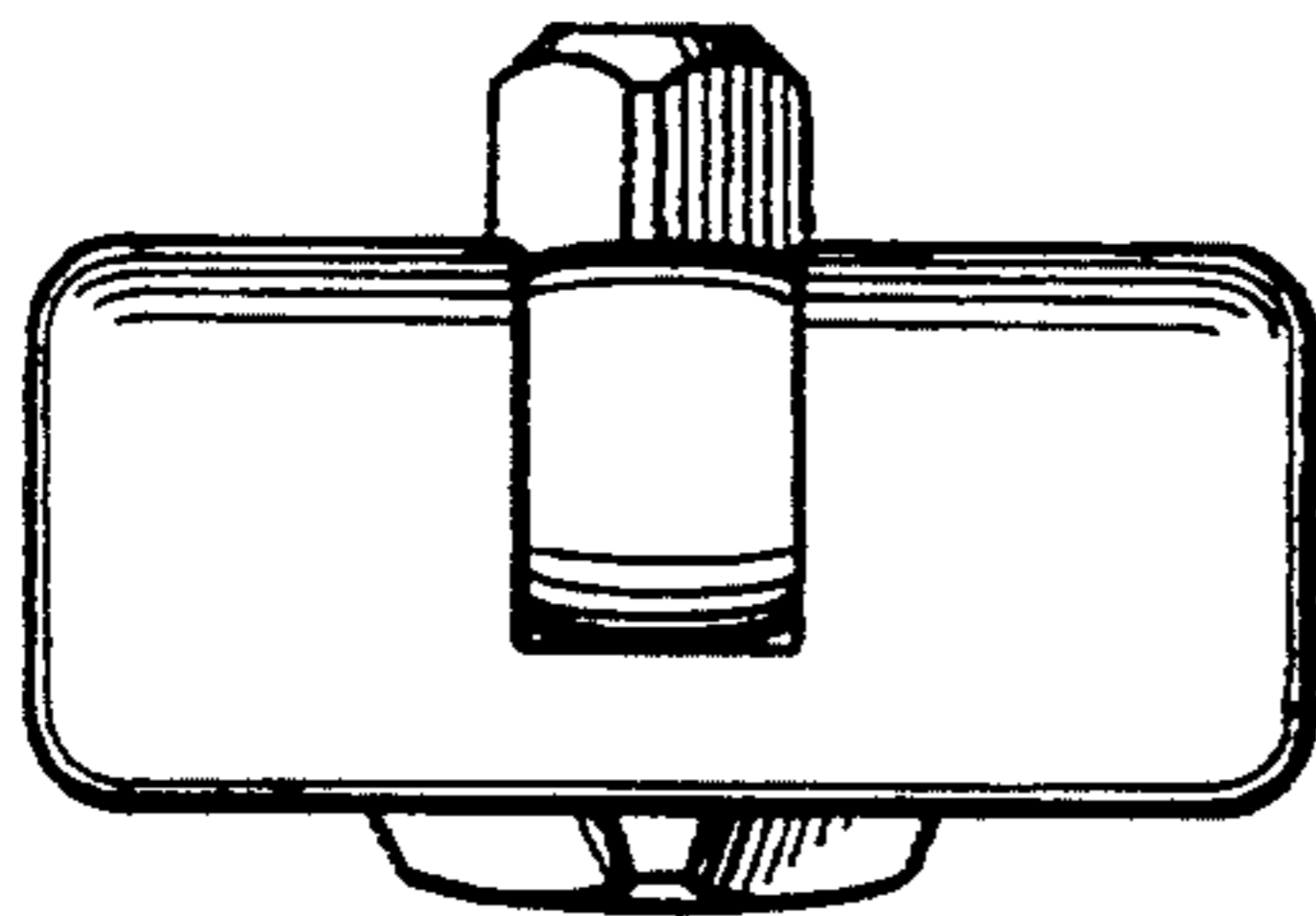
**FIG 7**



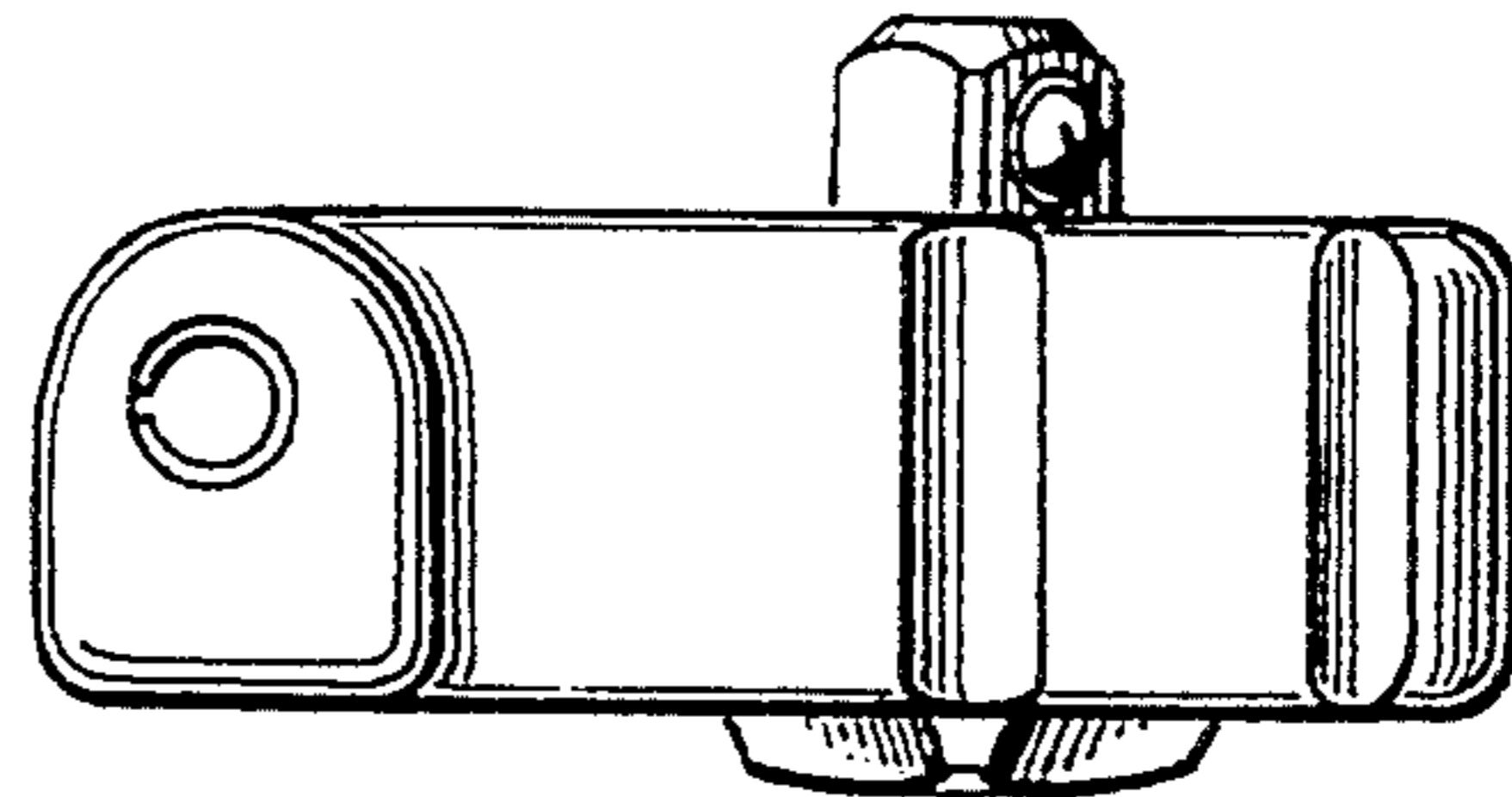
**FIG 8**



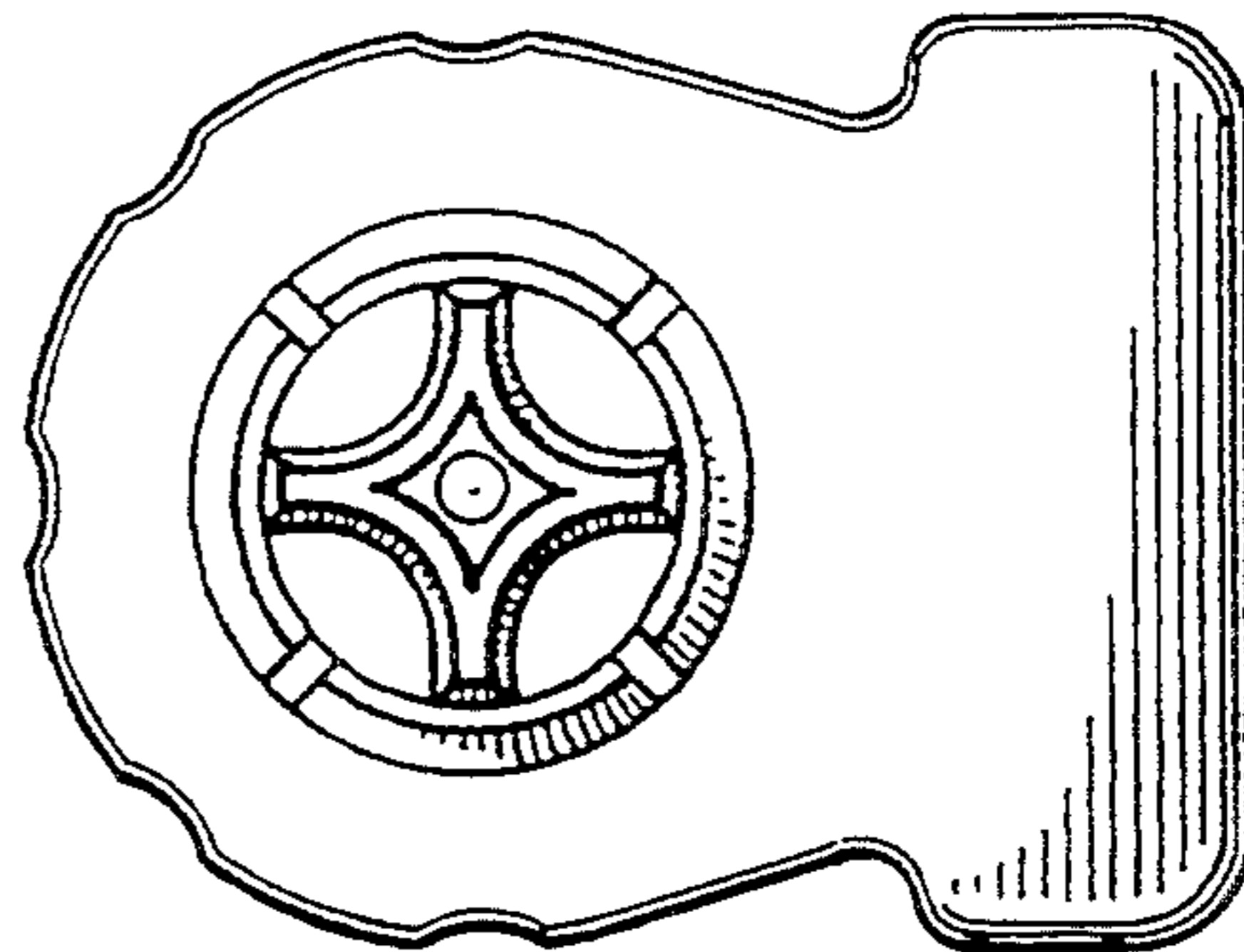
**FIG 11**



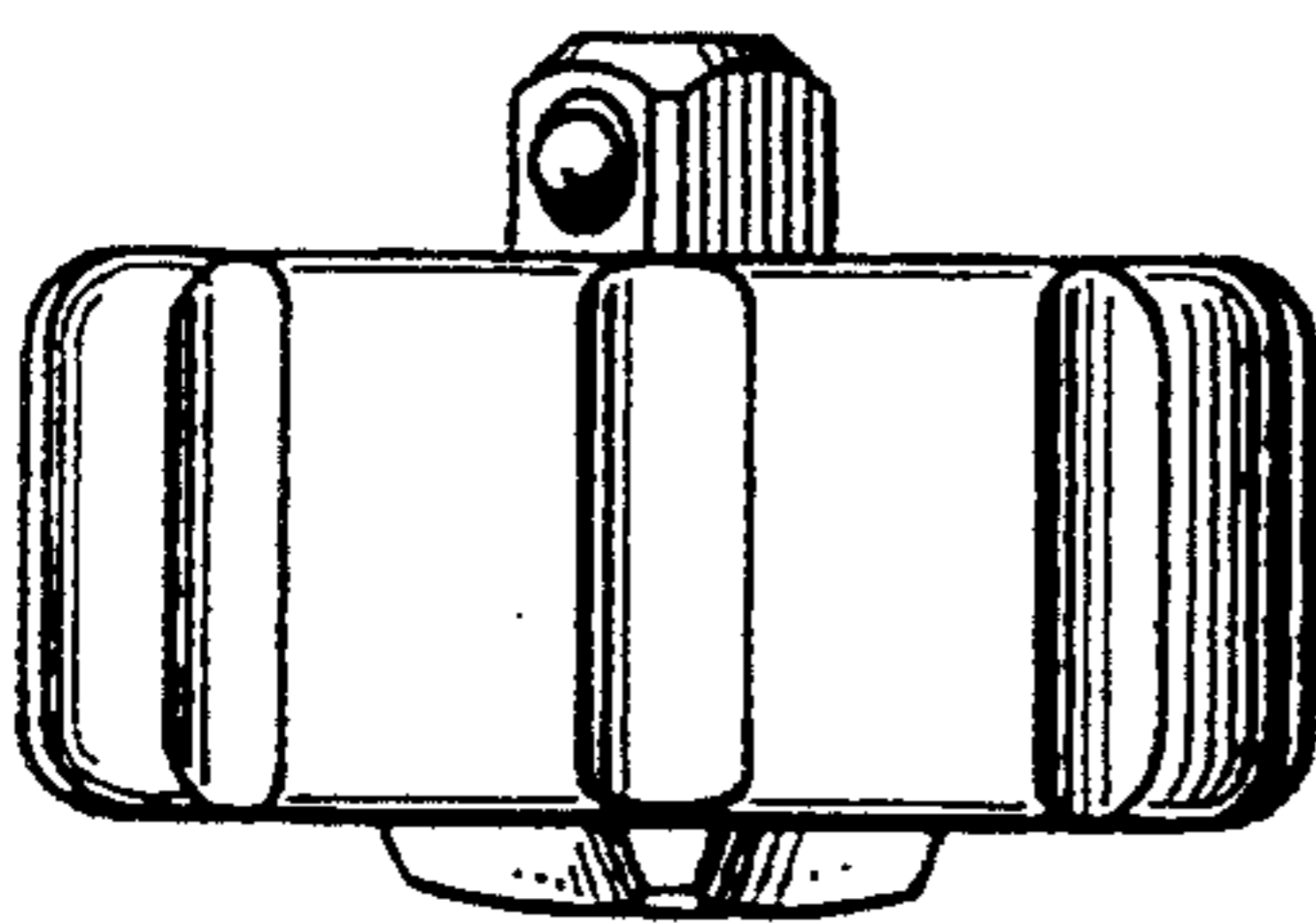
**FIG 9**



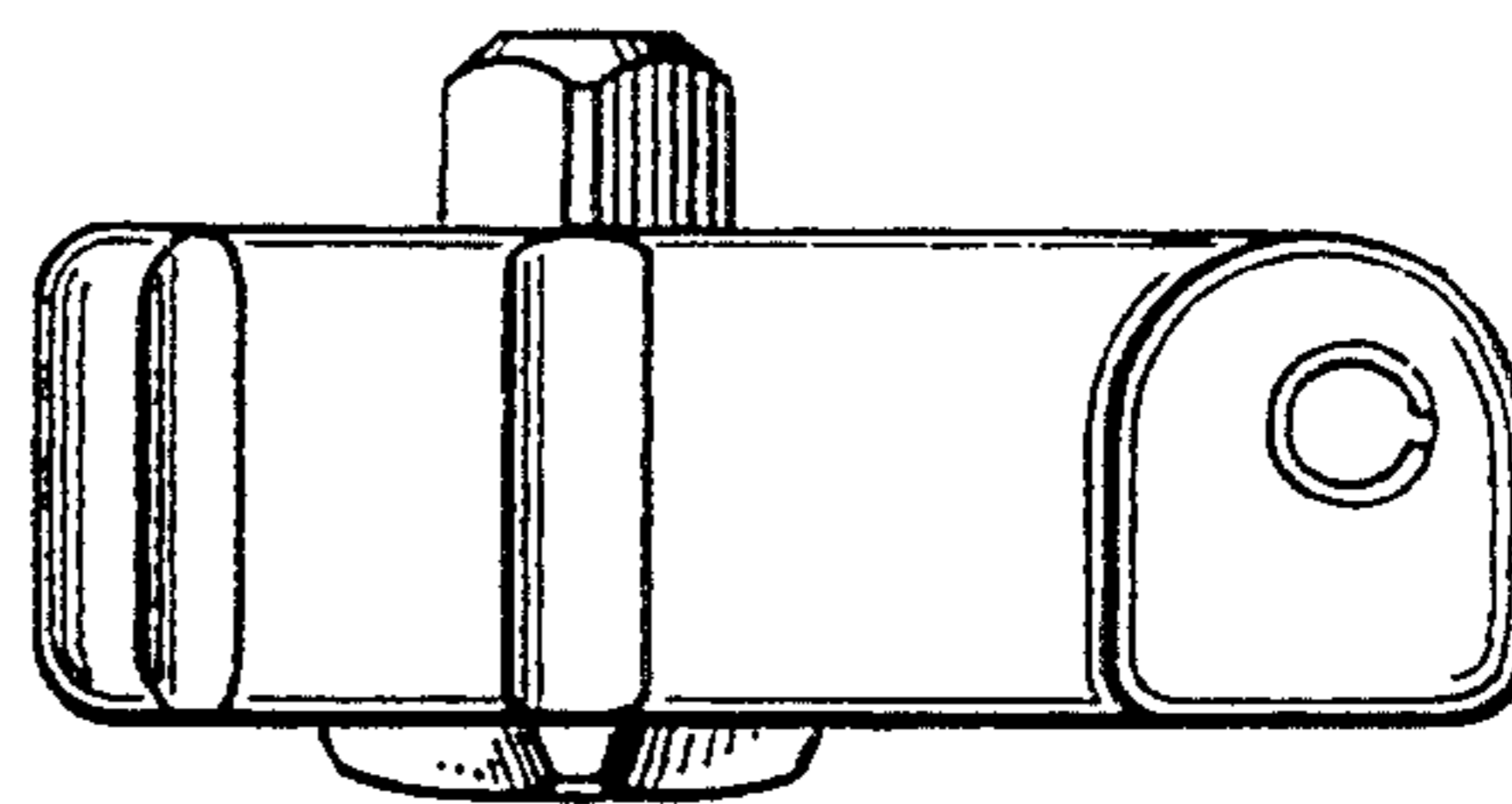
**FIG 12**



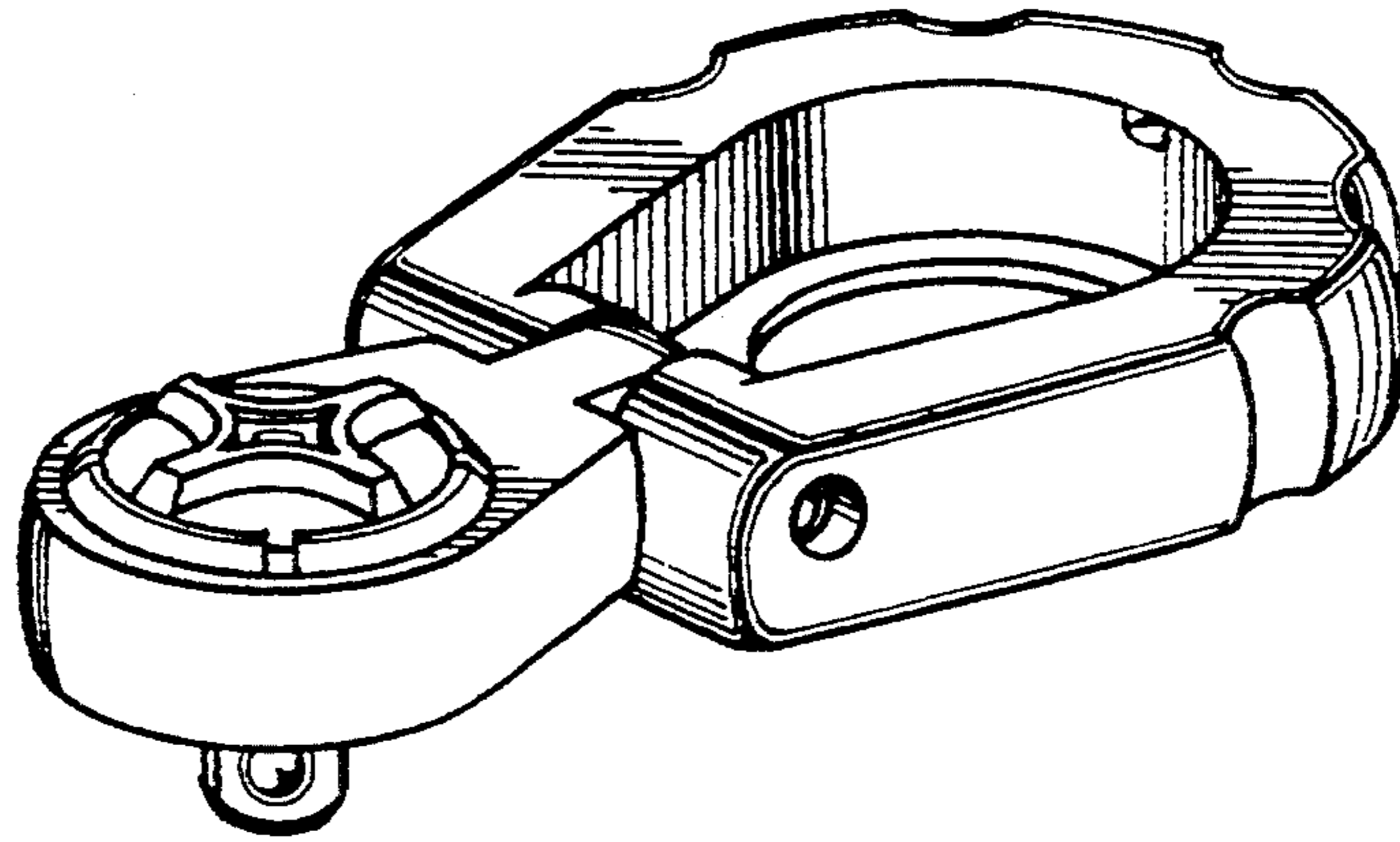
**FIG 13**



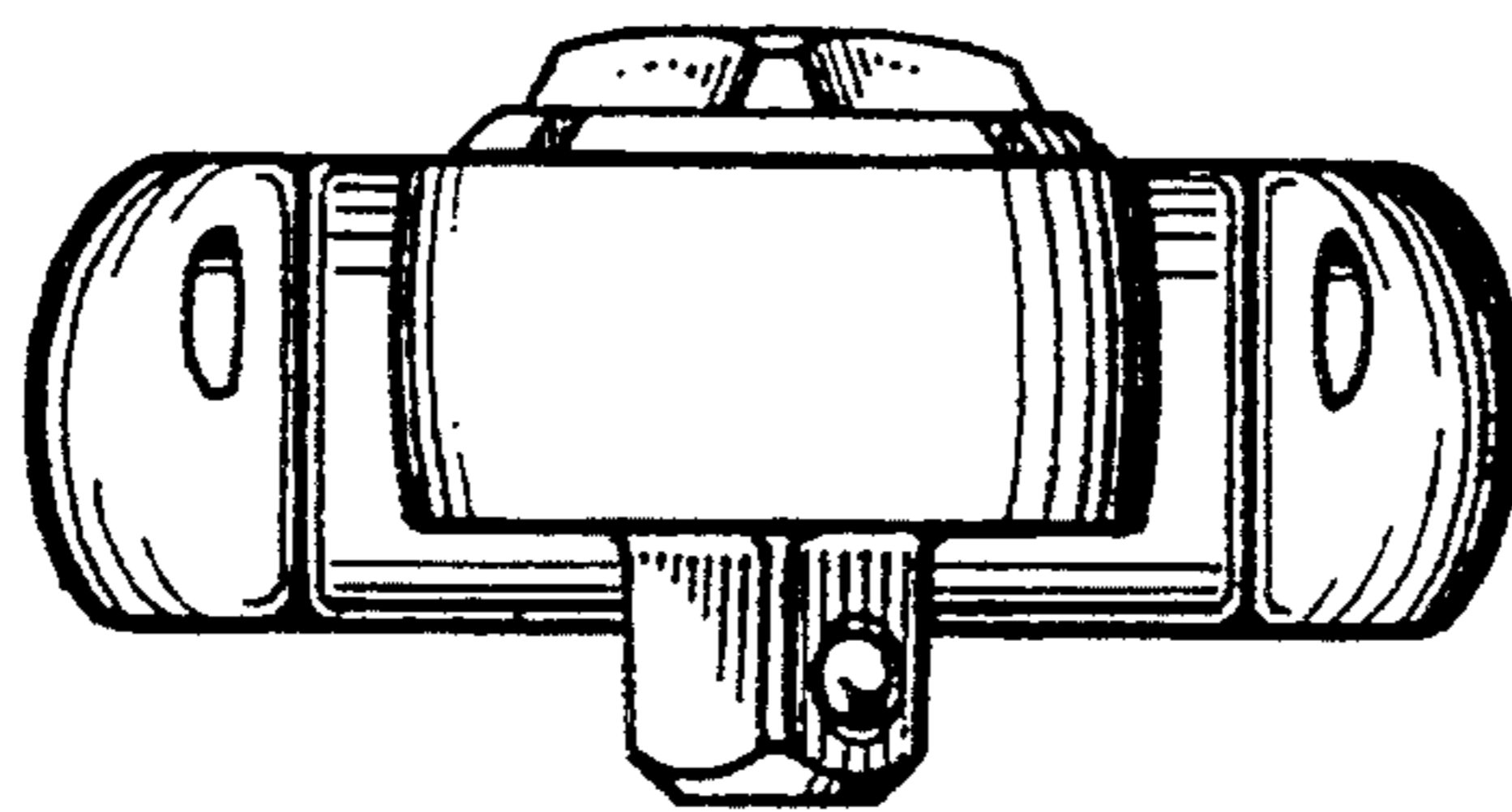
**FIG 10**



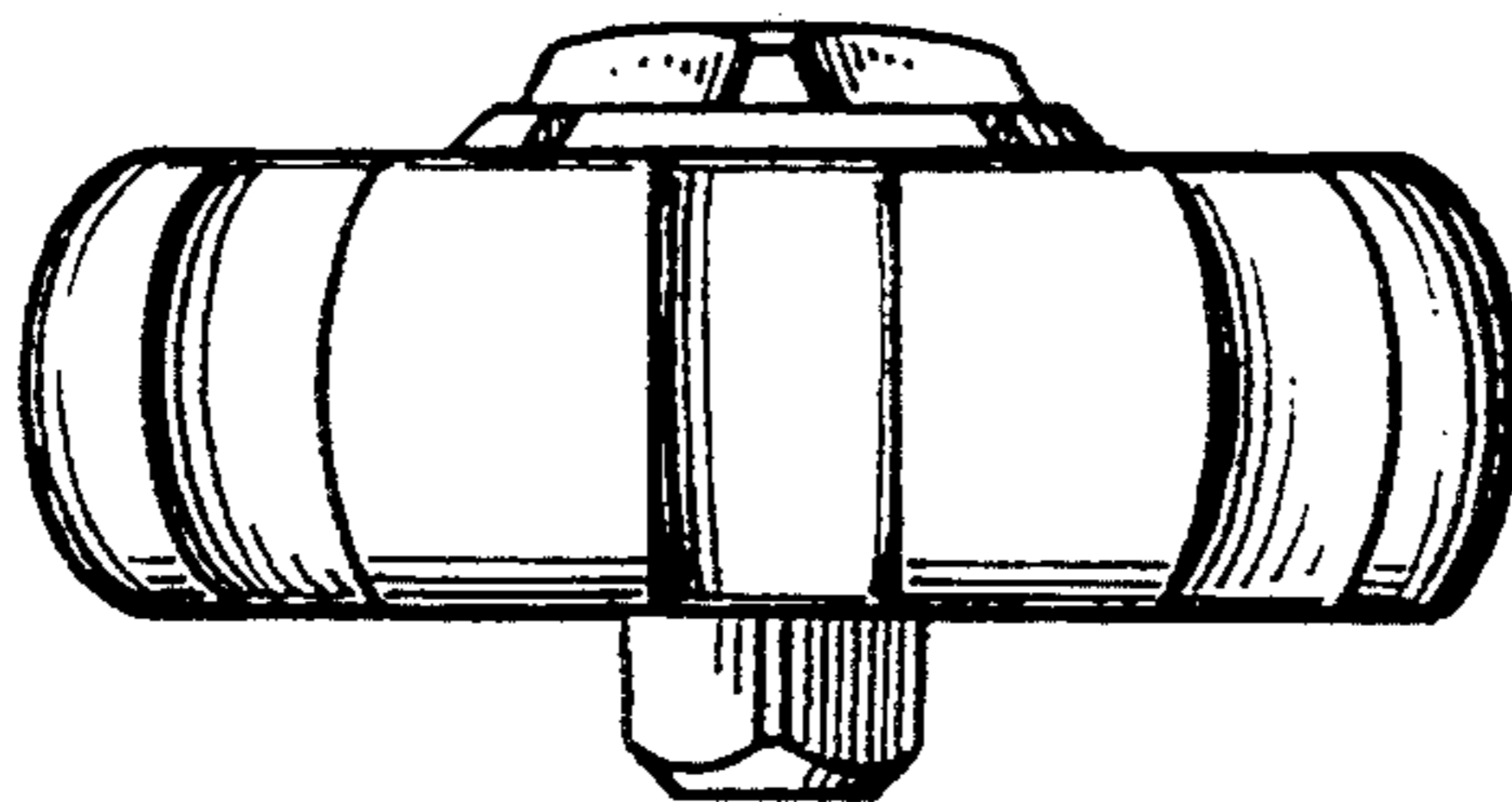
**FIG 14**



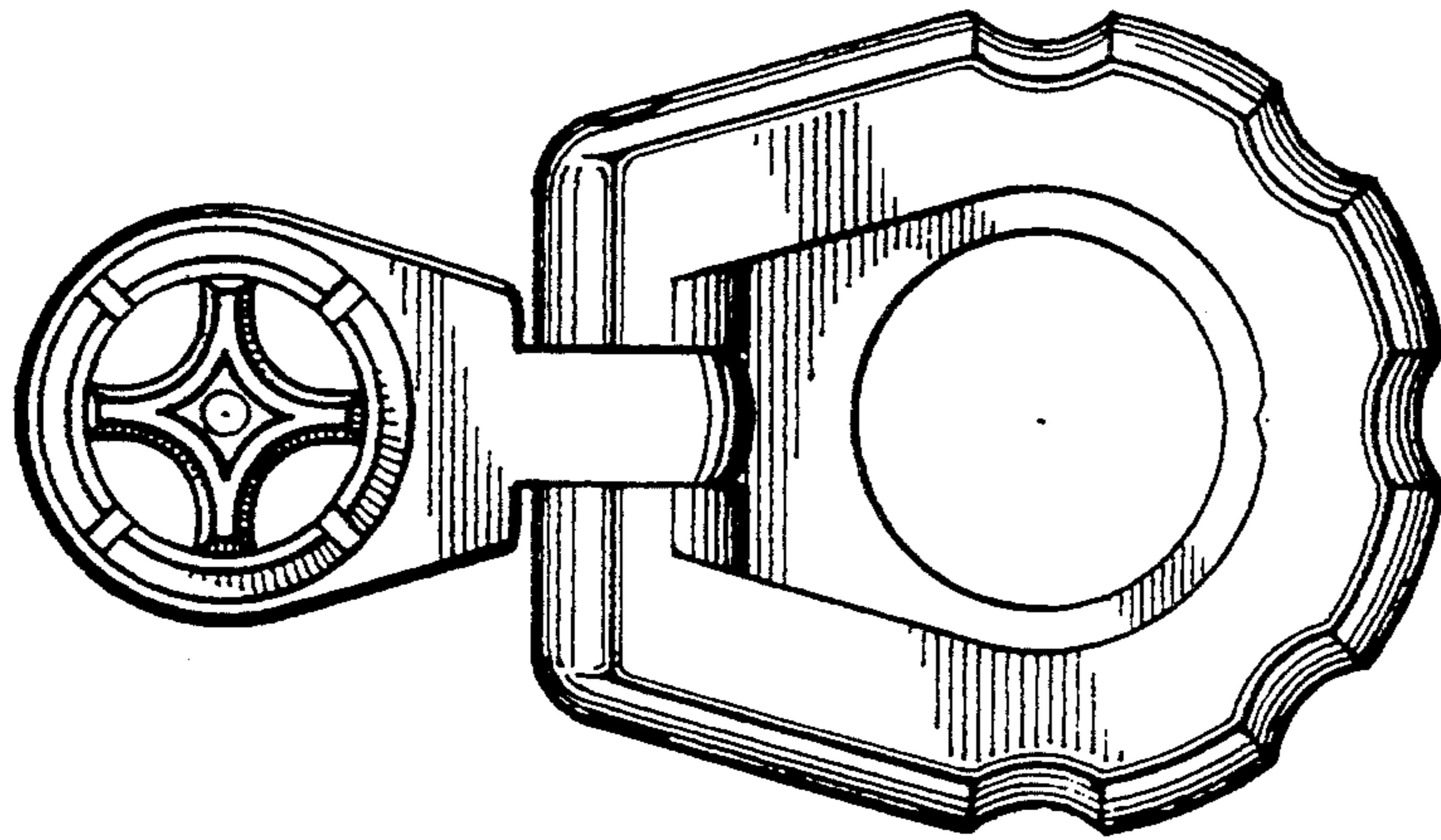
**FIG. 15**



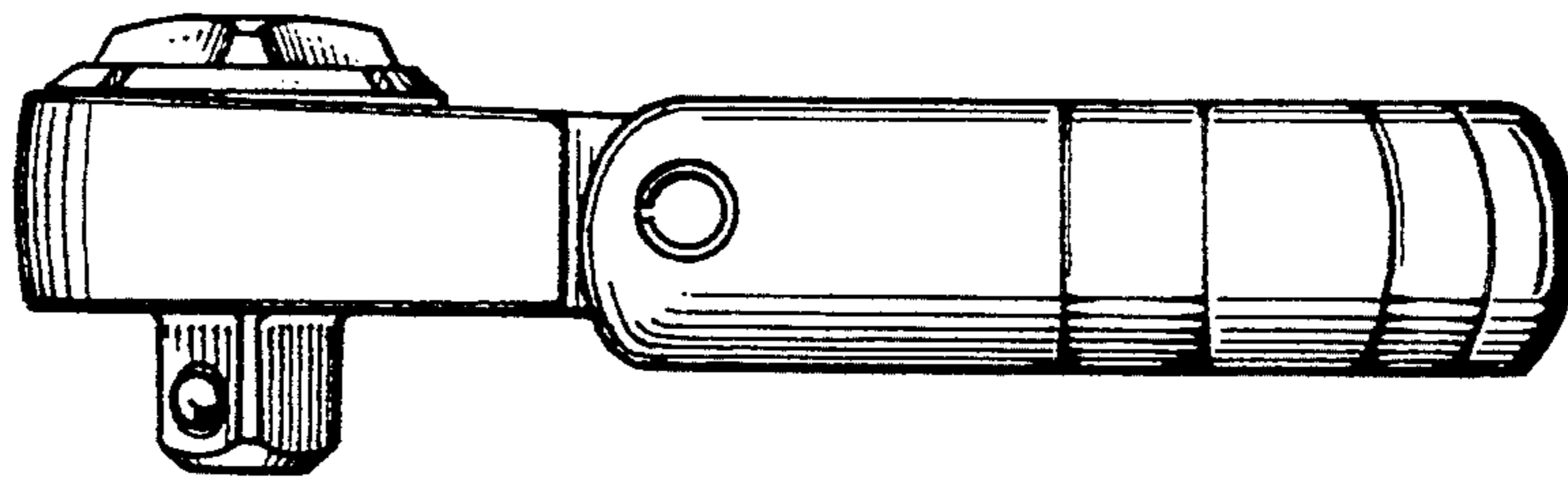
**FIG. 16**



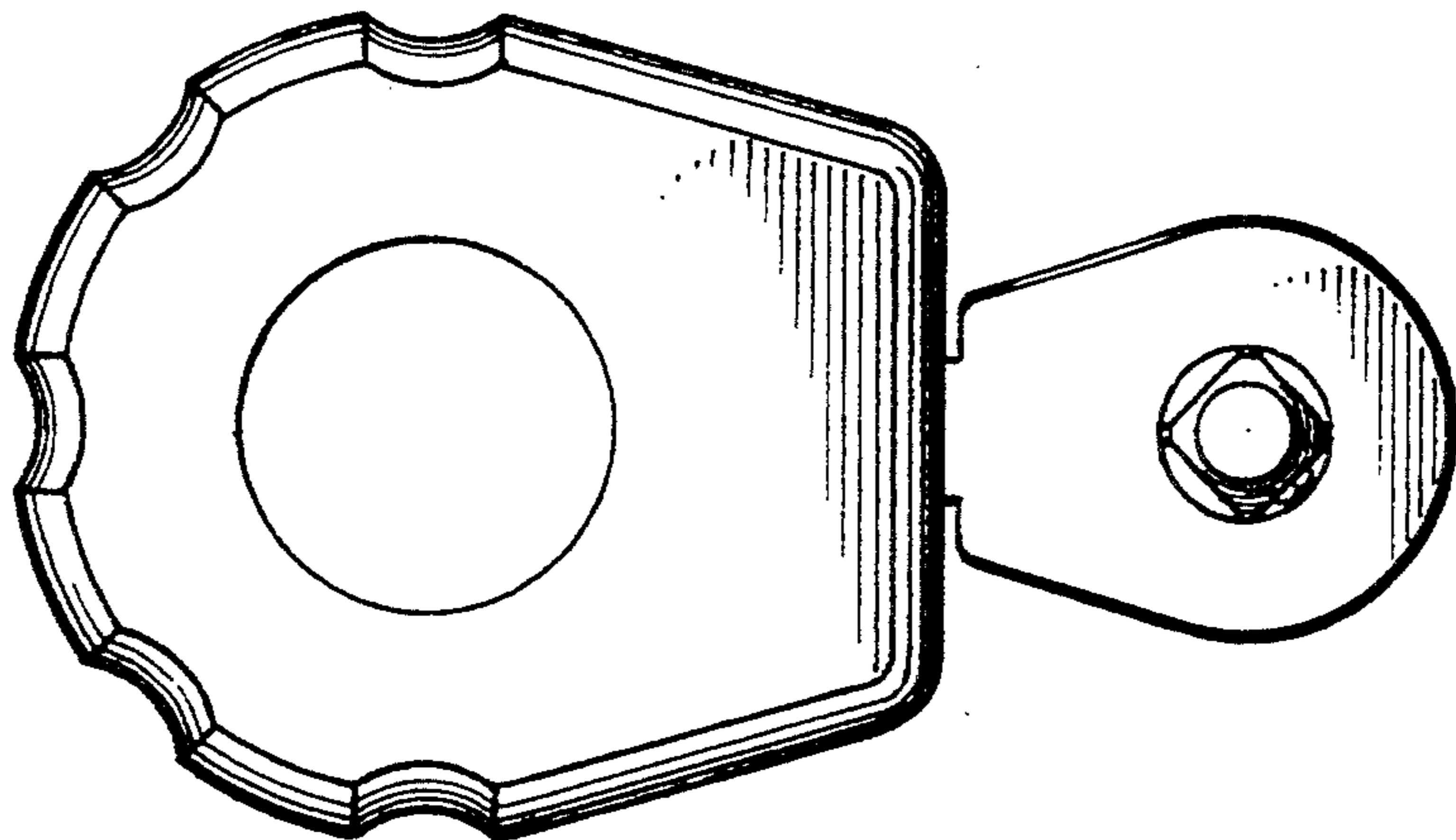
**FIG. 17**



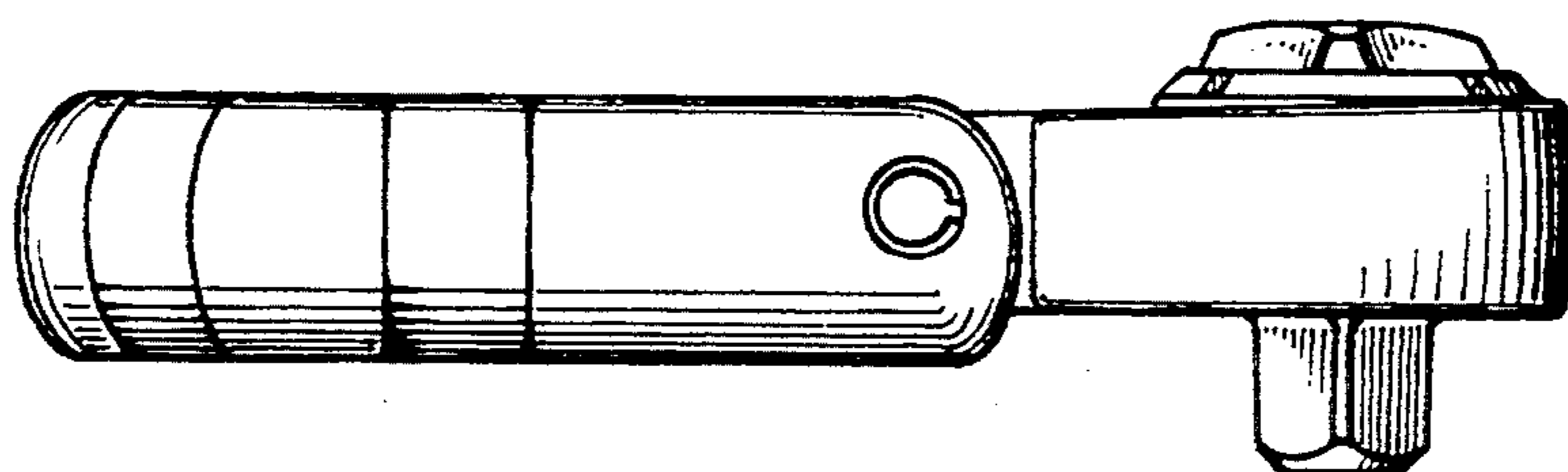
**FIG 18**



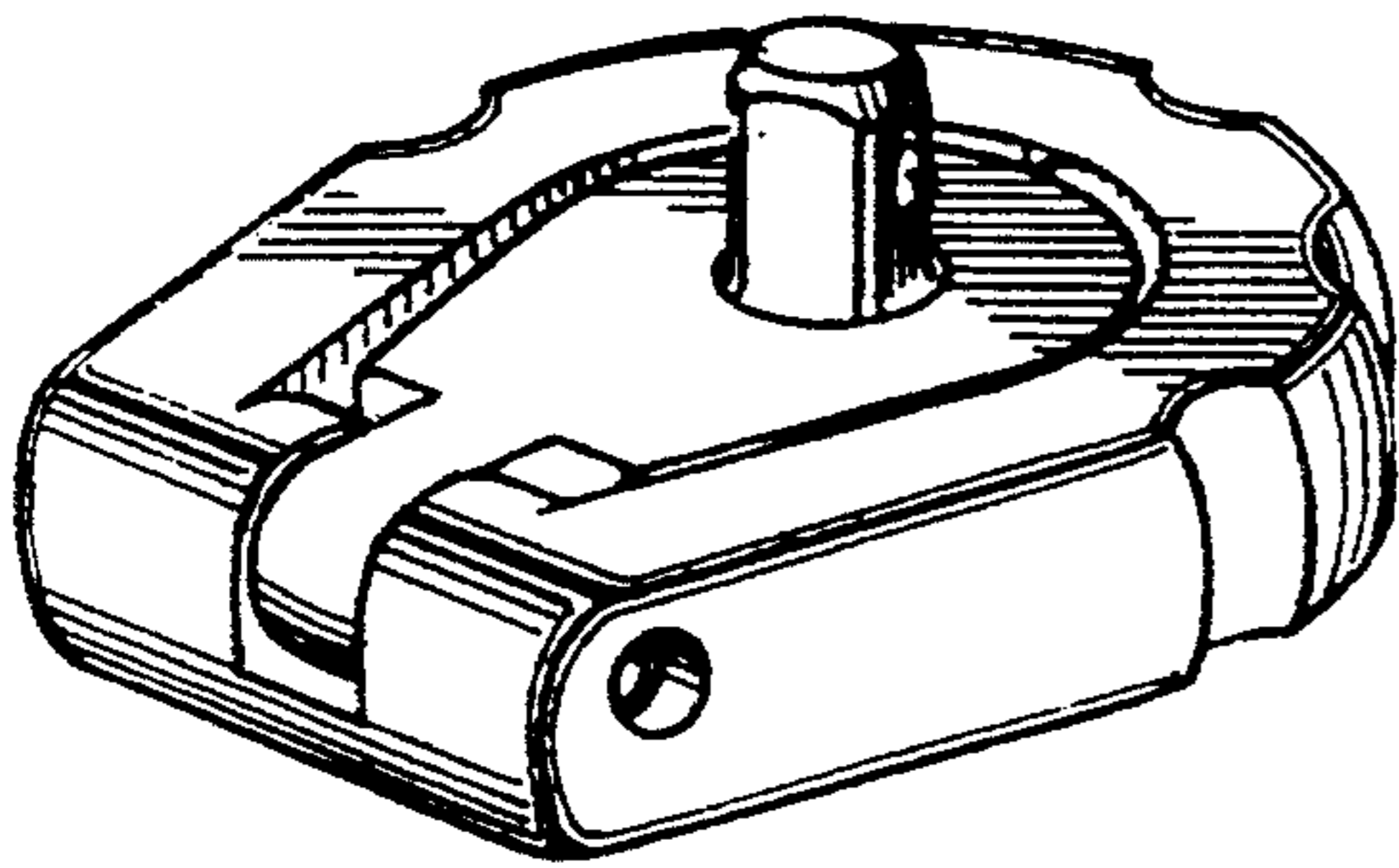
**FIG 19**



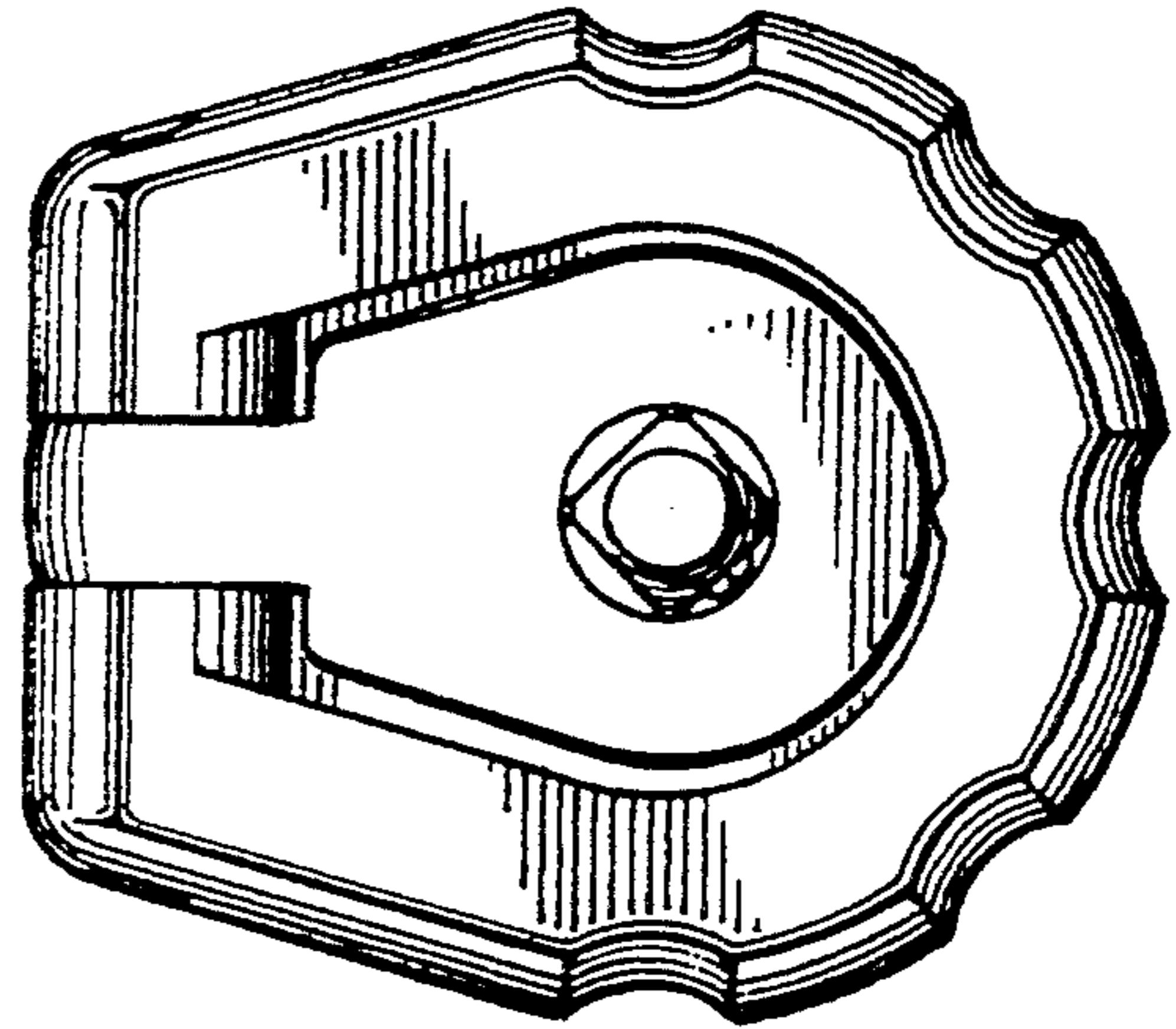
**FIG 20**



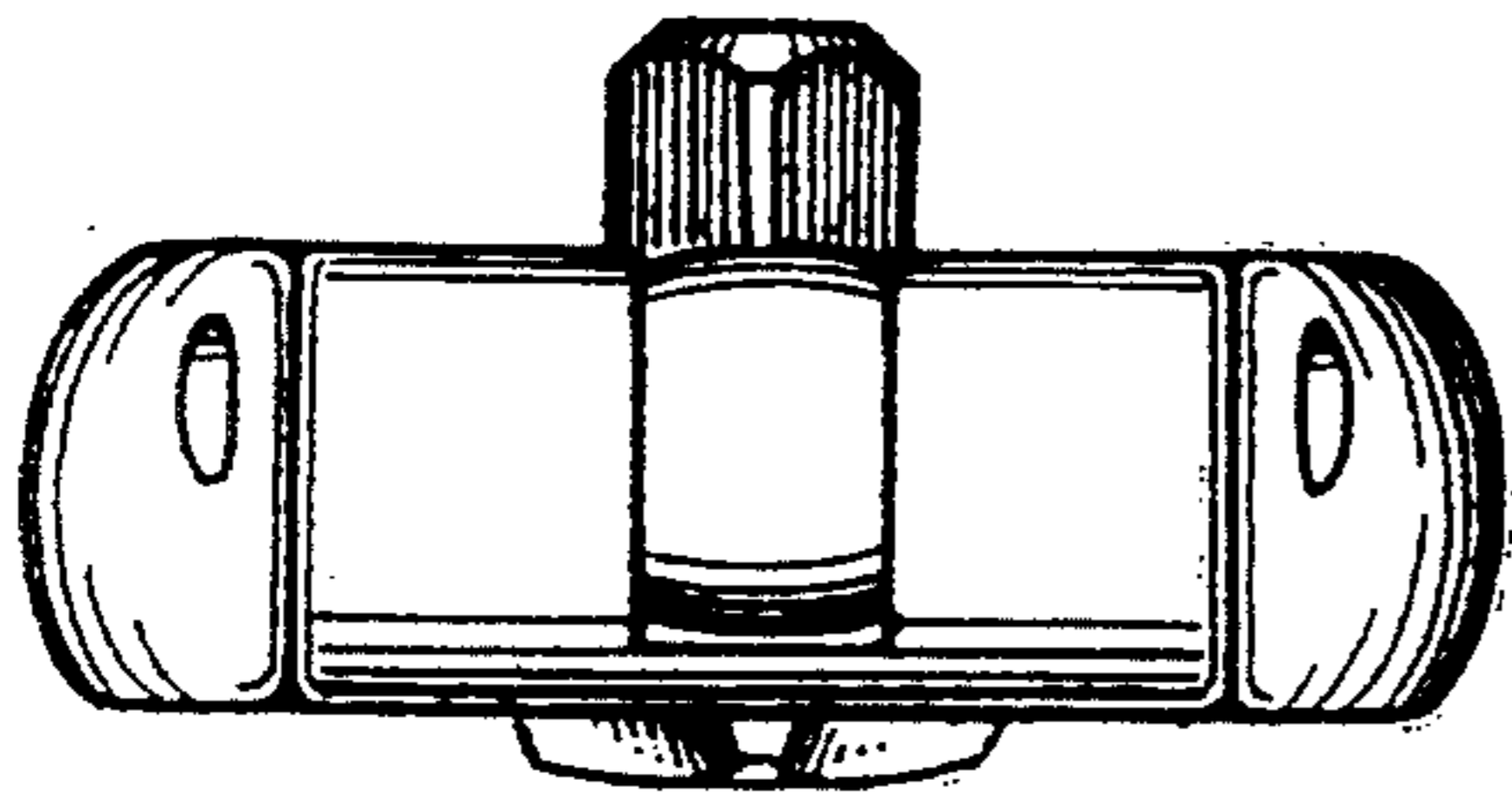
**FIG 21**



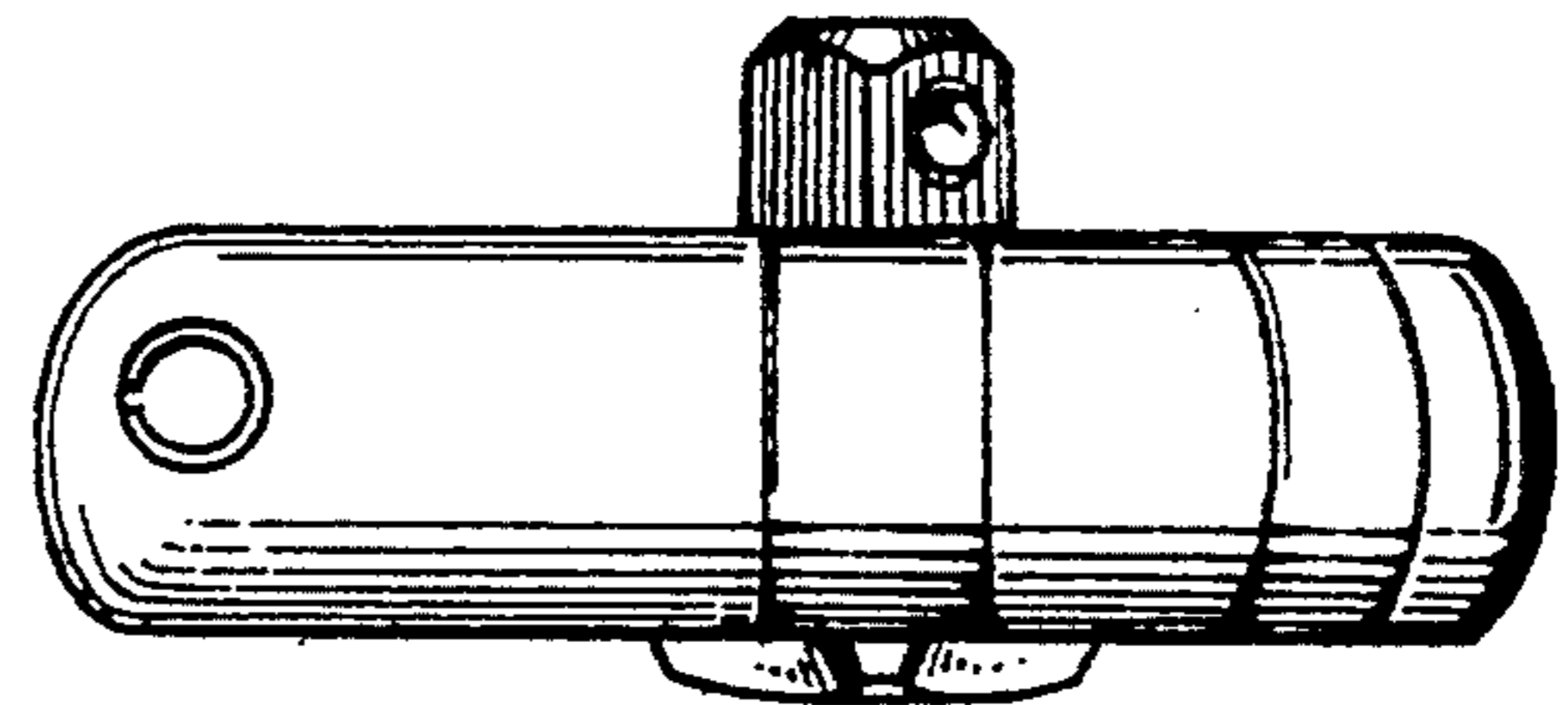
**FIG 22**



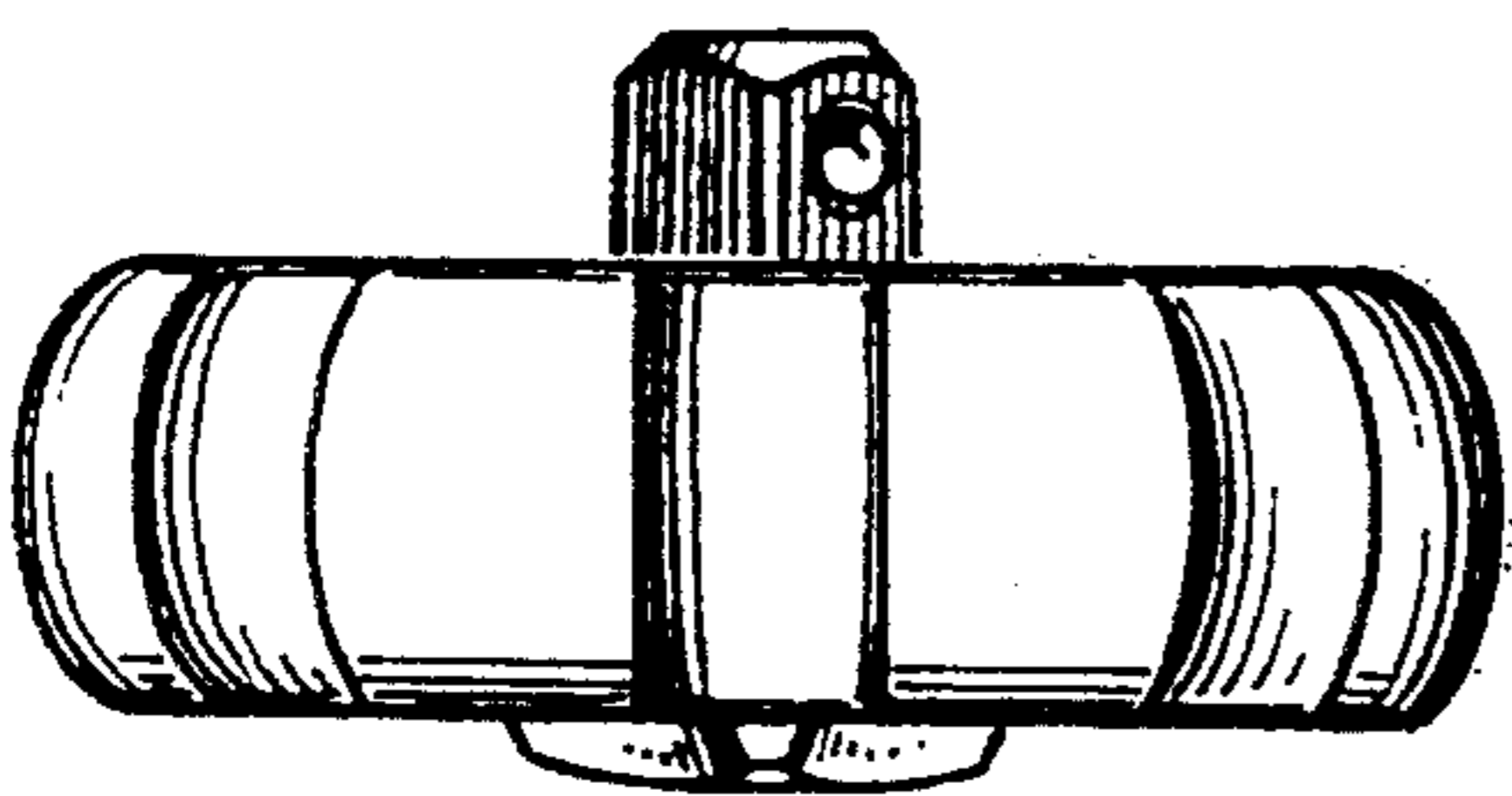
**FIG 25**



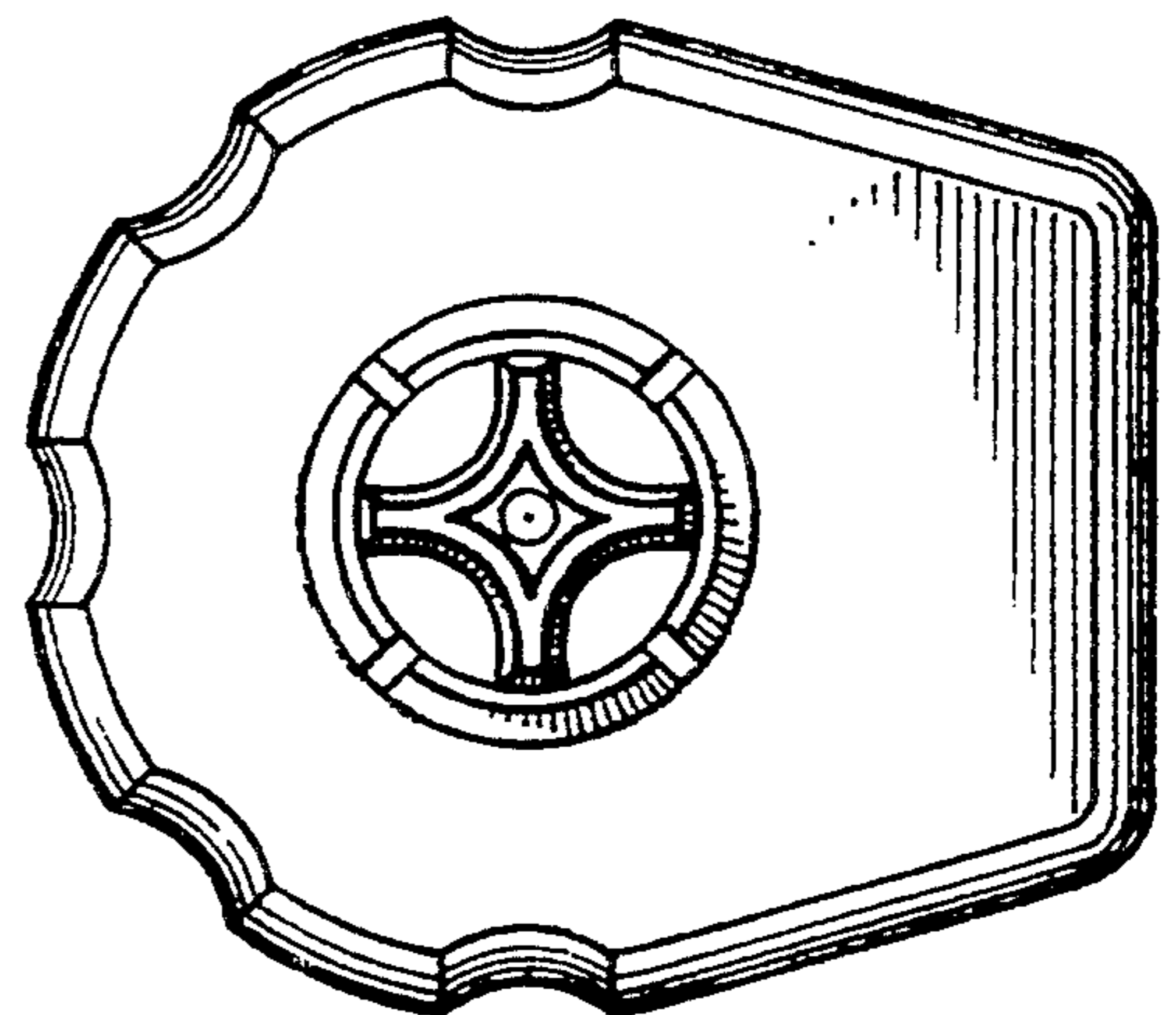
**FIG 23**



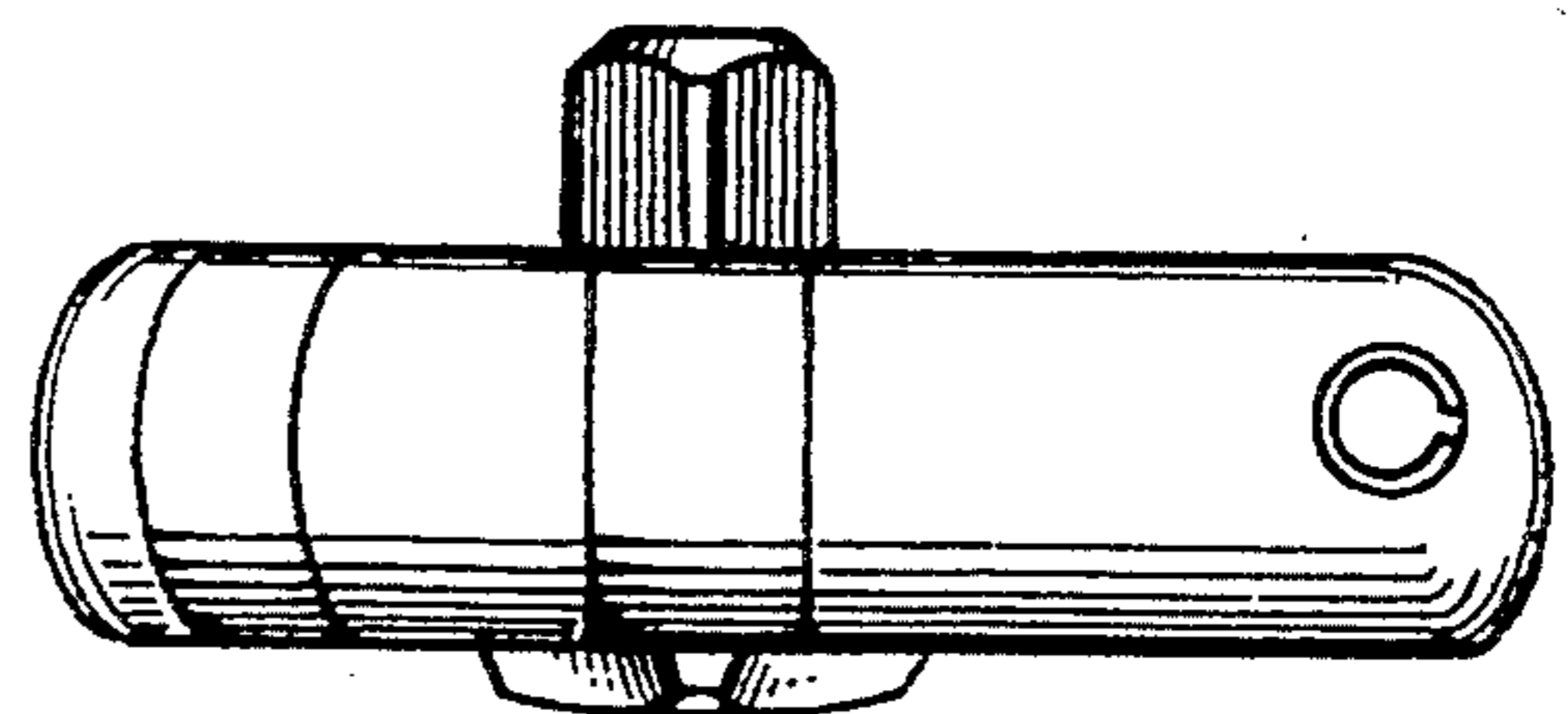
**FIG 26**



**FIG 24**



**FIG 27**



**FIG 28**