



US00D359207S

United States Patent [19]

[11] Patent Number: **Des. 359,207**

Meiller

[45] Date of Patent: **** Jun. 13, 1995**

[54] **COMBINED LEAF RAKE AND TONGS**

[76] Inventor: **Ted J. Meiller**, 1308 Bennett St., Bryan, Tex. 77802

[**] Term: **14 Years**

[21] Appl. No.: **28,160**

[22] Filed: **Sep. 8, 1994**

[52] U.S. Cl. **D8/13**

[58] Field of Search **D8/13; 56/400.01, 400.04, 56/400.21**

[56] **References Cited**

U.S. PATENT DOCUMENTS

D. 263,367	3/1982	Fodor et al.	D8/13
3,688,484	9/1897	Cox	D8/13 X
4,744,208	5/1988	King	D8/13 X
4,848,073	7/1989	Germain et al.	56/400.17
4,991,386	2/1991	Dirkson	D8/13 X

Primary Examiner—James M. Gandy
Assistant Examiner—Holly Baynham

Attorney, Agent, or Firm—Bush, Moseley, Riddle & Jackson

[57] **CLAIM**

The ornamental design for a combined leaf rake and tongs, as shown and described.

DESCRIPTION

FIG. 1 is a front elevational view of a combined leaf rake and tongs showing my new design with the rear being a mirror image;

FIG. 2 is a side elevational view thereof;

FIG. 3 is an opposite side elevational view thereof, being shown in the open position;

FIG. 4 is the bottom view thereof;

FIG. 5 is a fragmentary elevation view partially in section taken along line 5—5 of FIG. 3.

FIG. 6 is the plan view thereof;

FIG. 7 is a sectional view thereof taken along line 7—7 of FIG. 5; and,

FIG. 8 is a sectional view thereof taken along line 8—8 of FIG. 5.

The handles in FIGS. 5, 7 and 8 are shown broken away for ease of illustration.

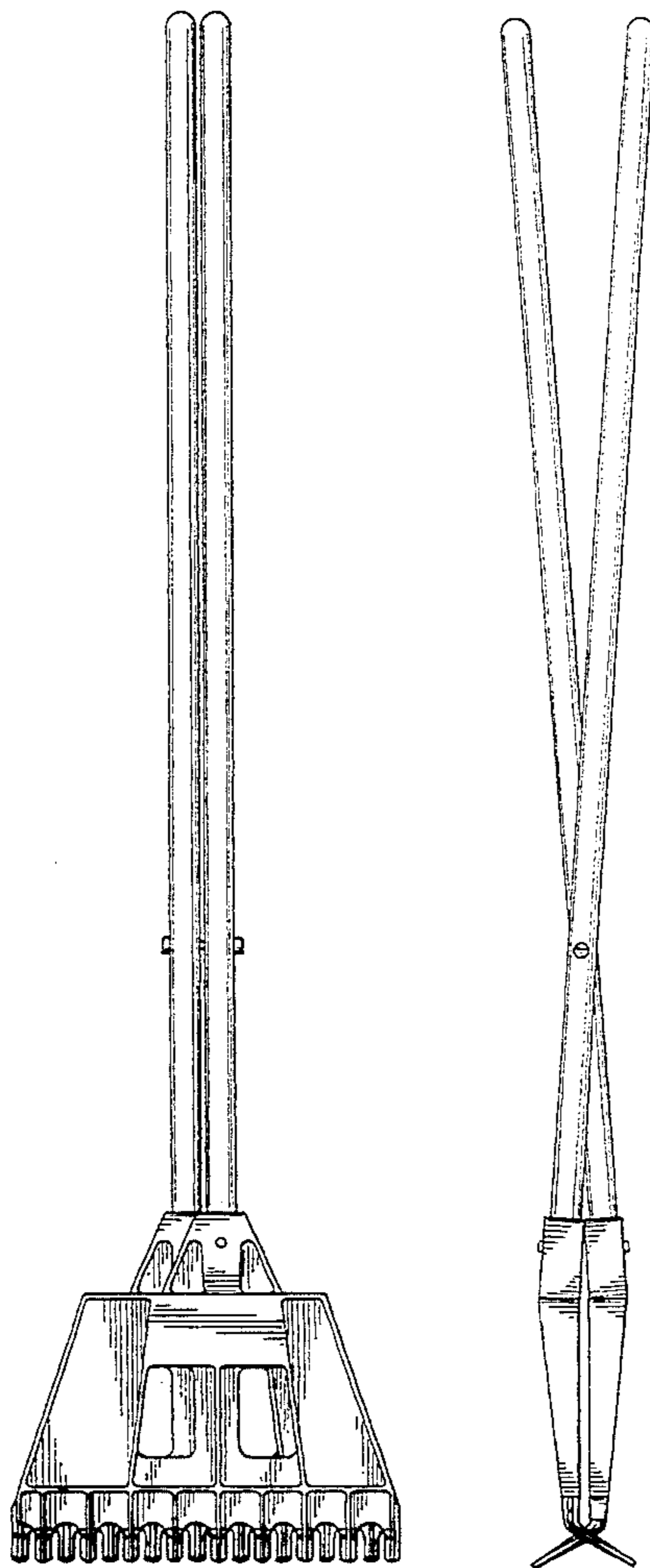


FIG. 1

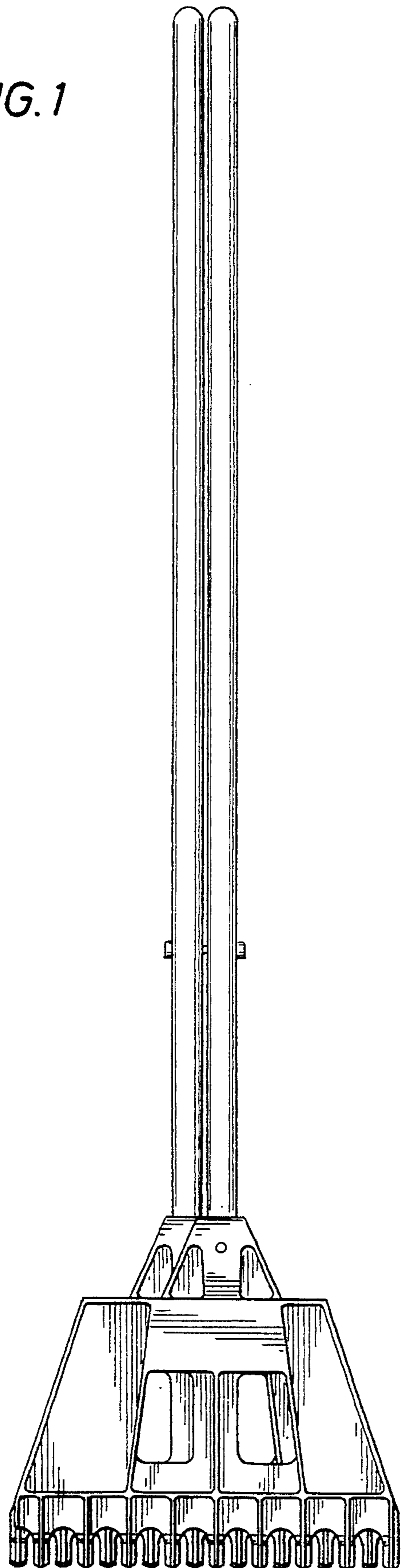


FIG. 2

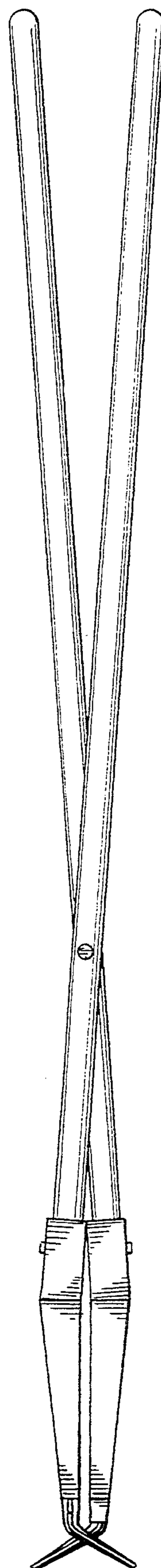


FIG. 3

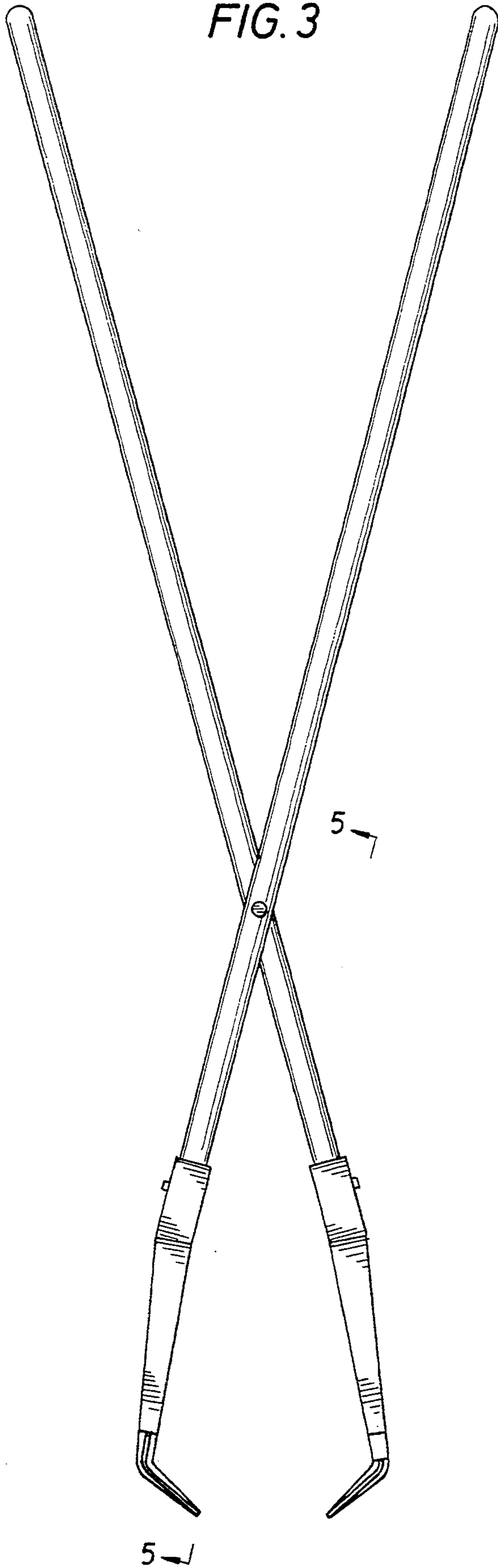


FIG. 4

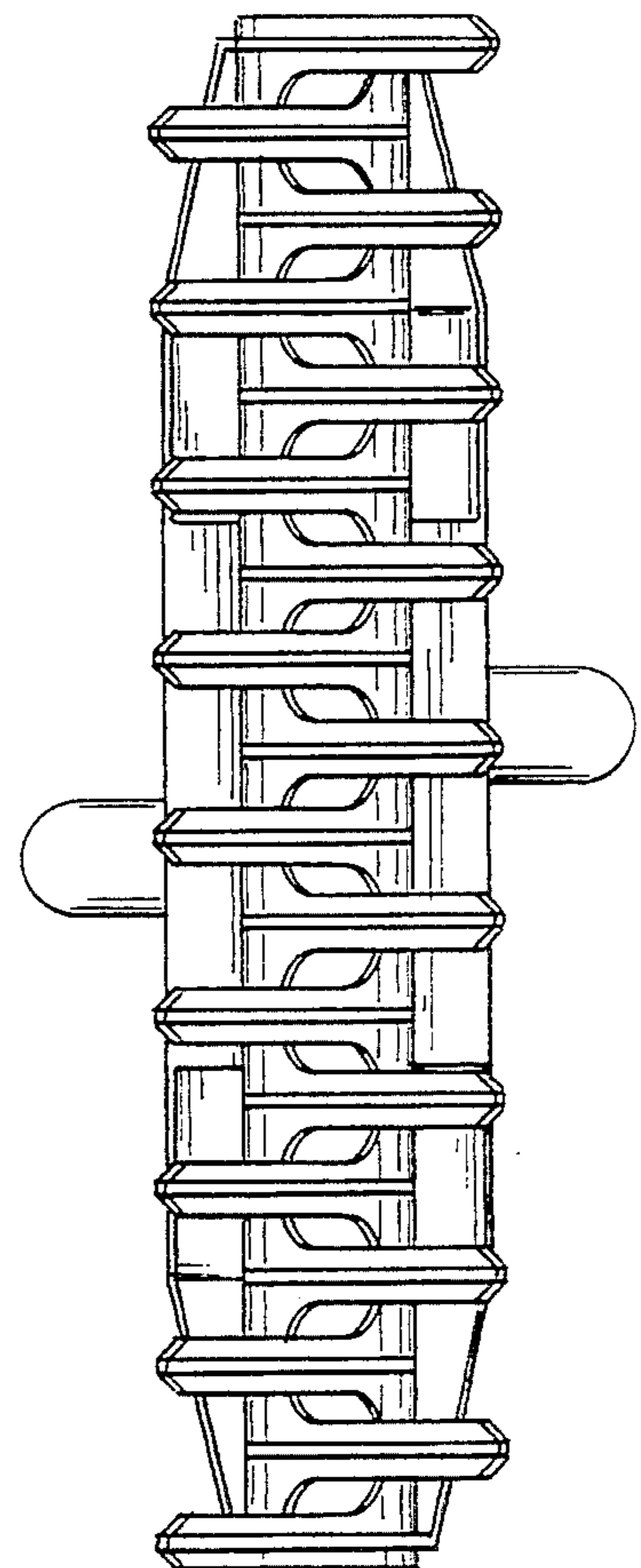


FIG. 5

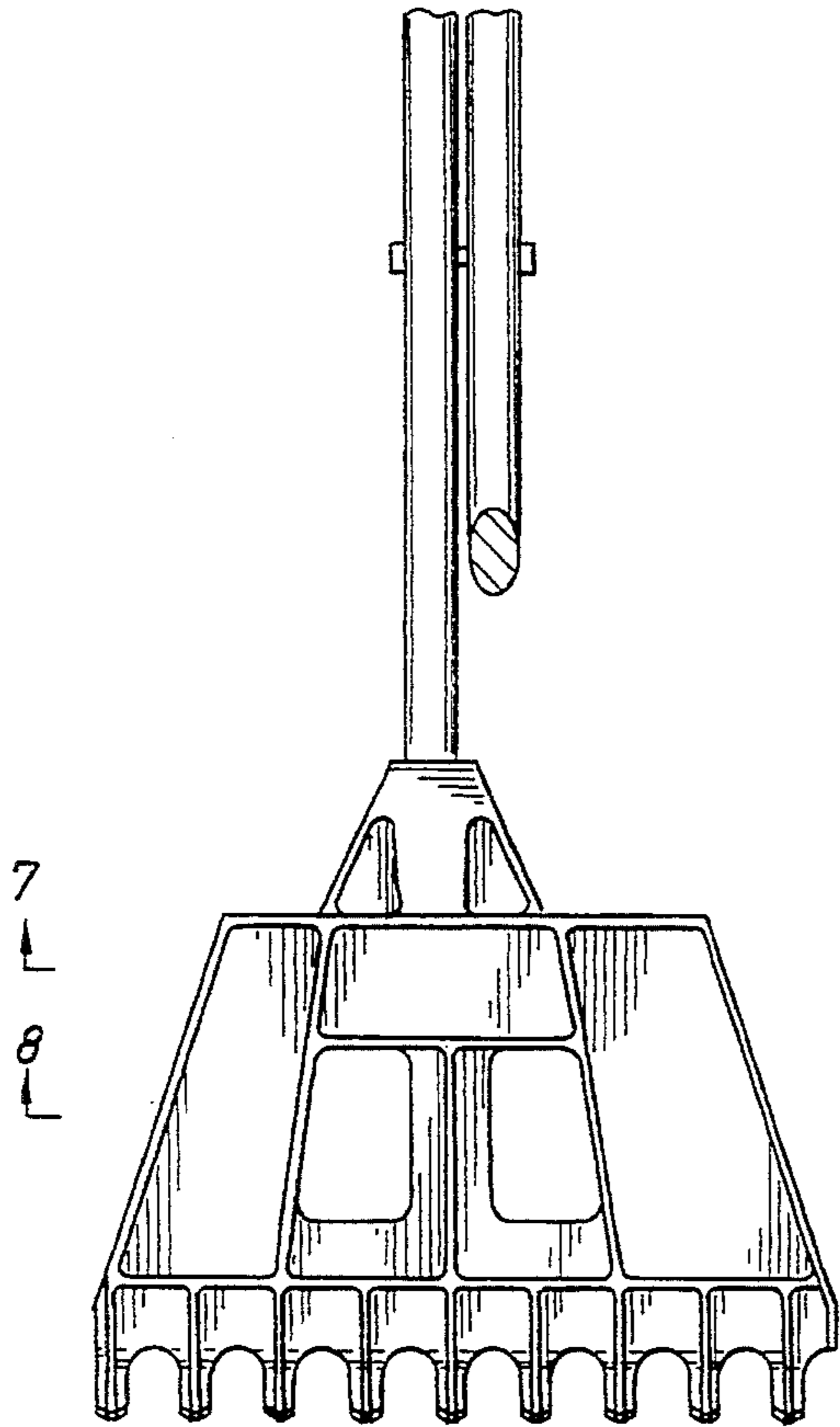


FIG. 6

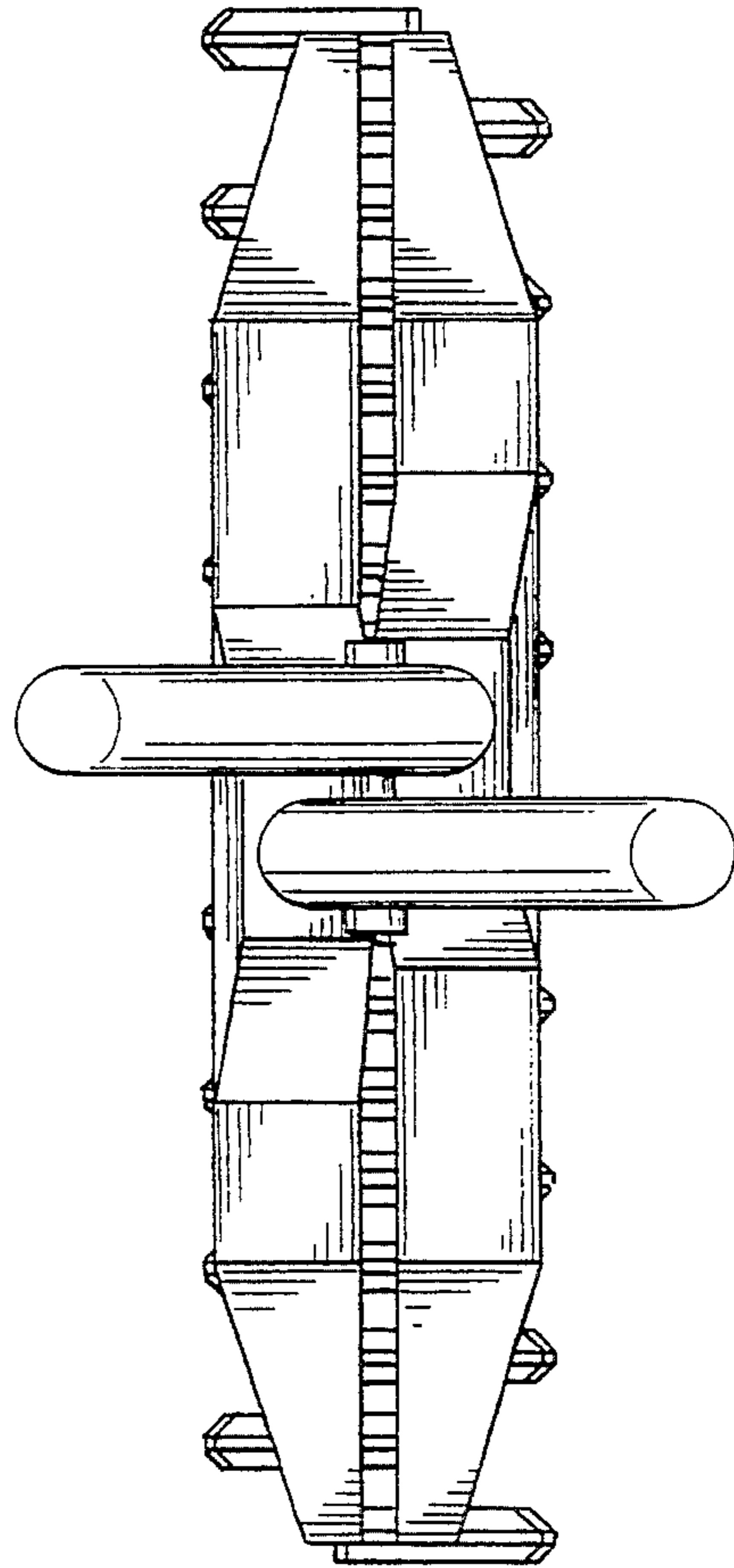


FIG. 7

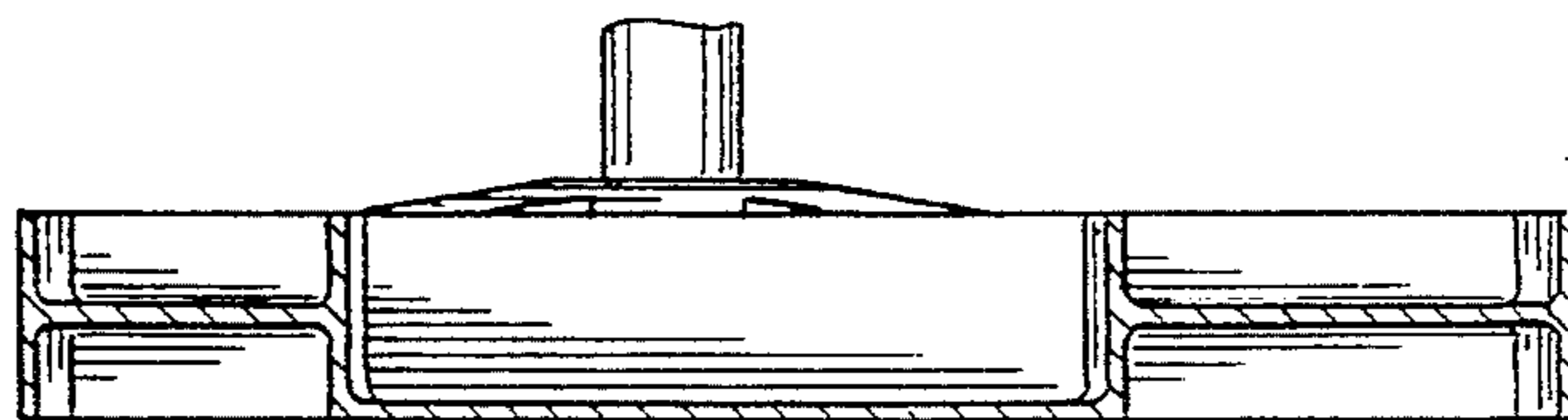


FIG. 8

