



US00D359206S

# United States Patent [19]

[11] Patent Number: **Des. 359,206**

**Bojar**

[45] Date of Patent: **\*\* Jun. 13, 1995**

[54] **VARIABLE PITCH GARDEN HOE TOOL**

### FOREIGN PATENT DOCUMENTS

[76] Inventor: **James A. Bojar**, 2524 Pasadena Blvd., Wauwatosa, Wis. 53226

606411 11/1934 Germany .  
182631 5/1935 Switzerland .  
10081 of 1887 United Kingdom .

[\*\*] Term: **14 Years**

*Primary Examiner*—A. Hugo Word  
*Assistant Examiner*—Holly Baynham  
*Attorney, Agent, or Firm*—Robert T. Johnson

[21] Appl. No.: **25,360**

### [57] CLAIM

[22] Filed: **Jun. 30, 1994**

The ornamental design for a variable pitch garden hoe tool, as shown and described.

[52] U.S. Cl. .... **D8/11**

### DESCRIPTION

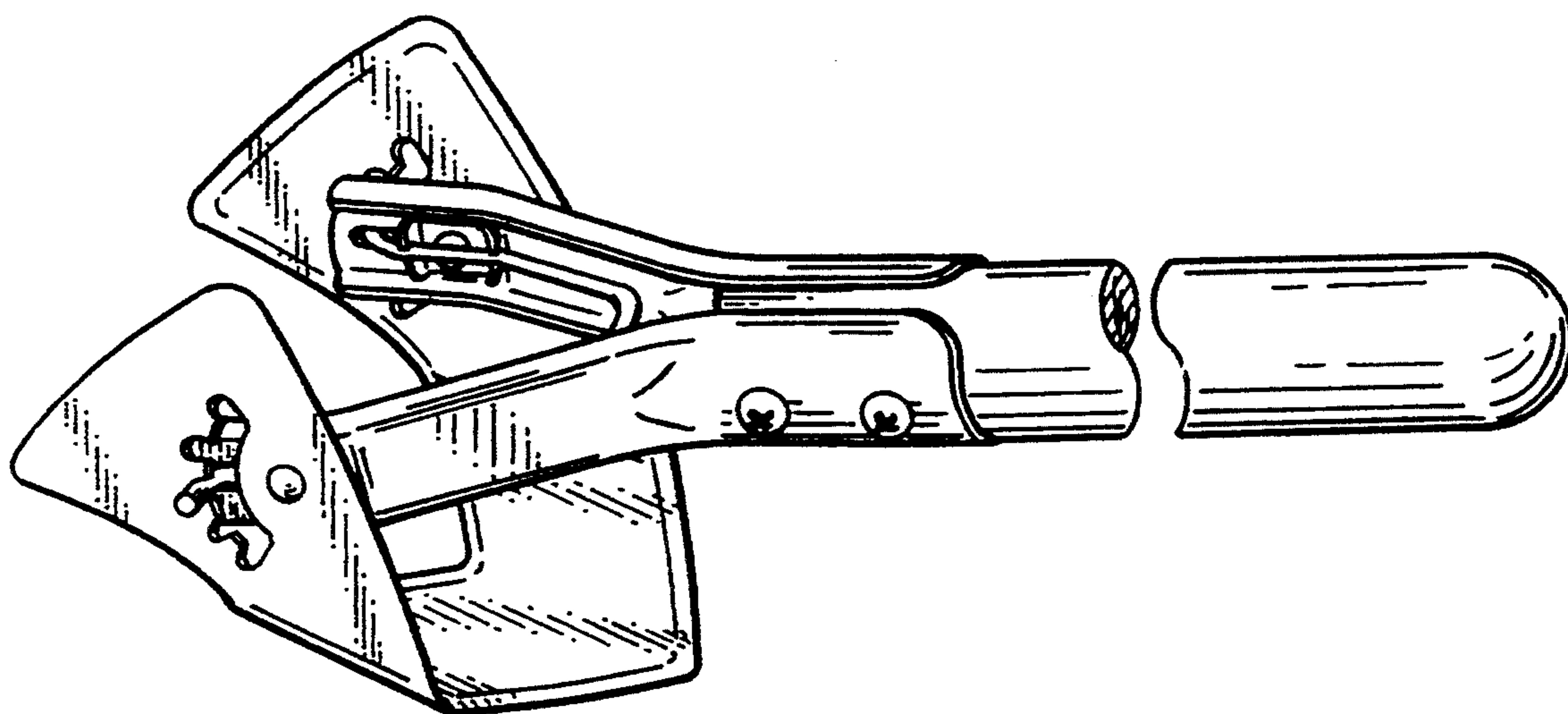
[58] Field of Search ..... **D8/7, 9, 11;**  
**172/371-372, 375-376; 7/114-116**

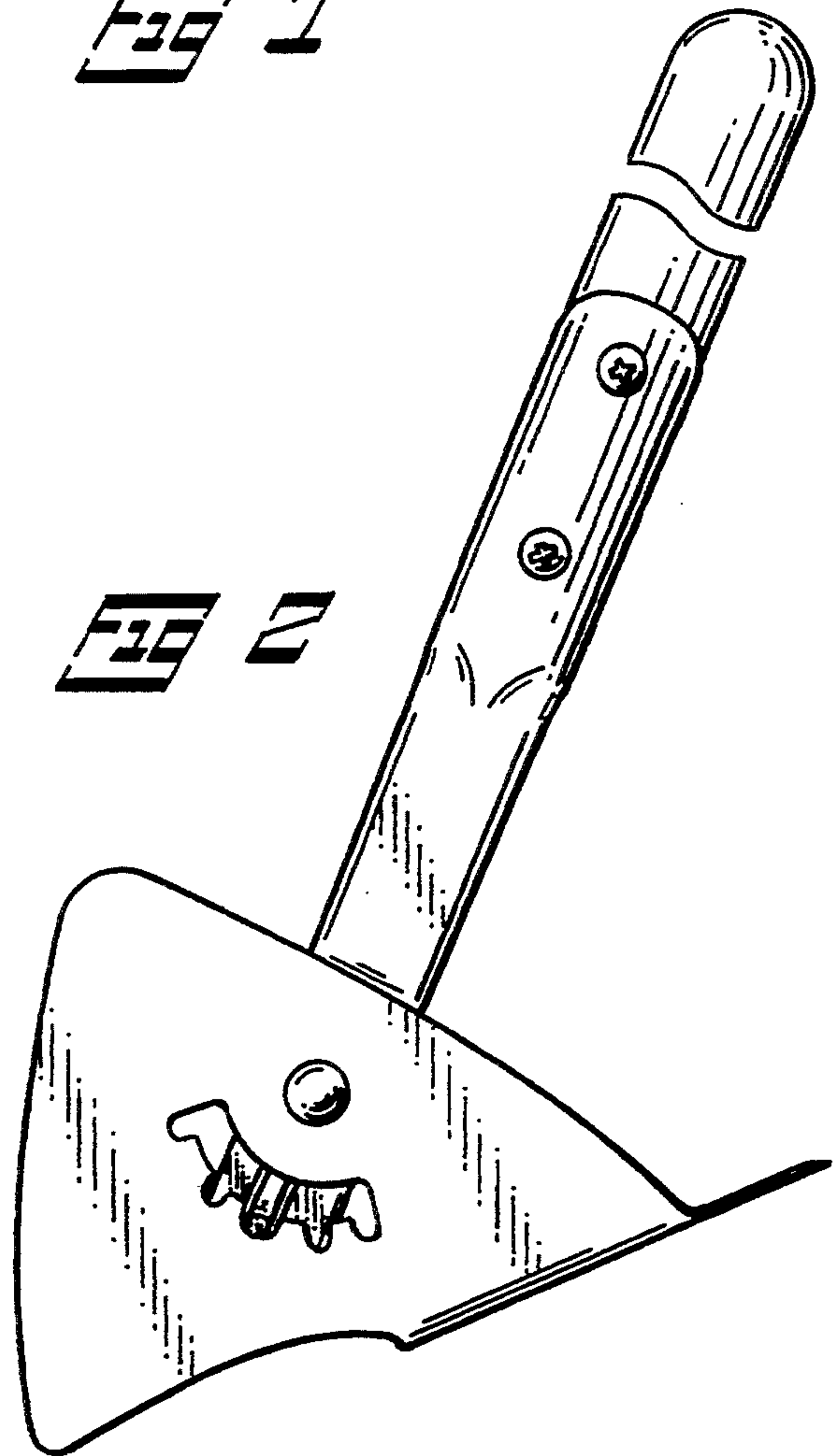
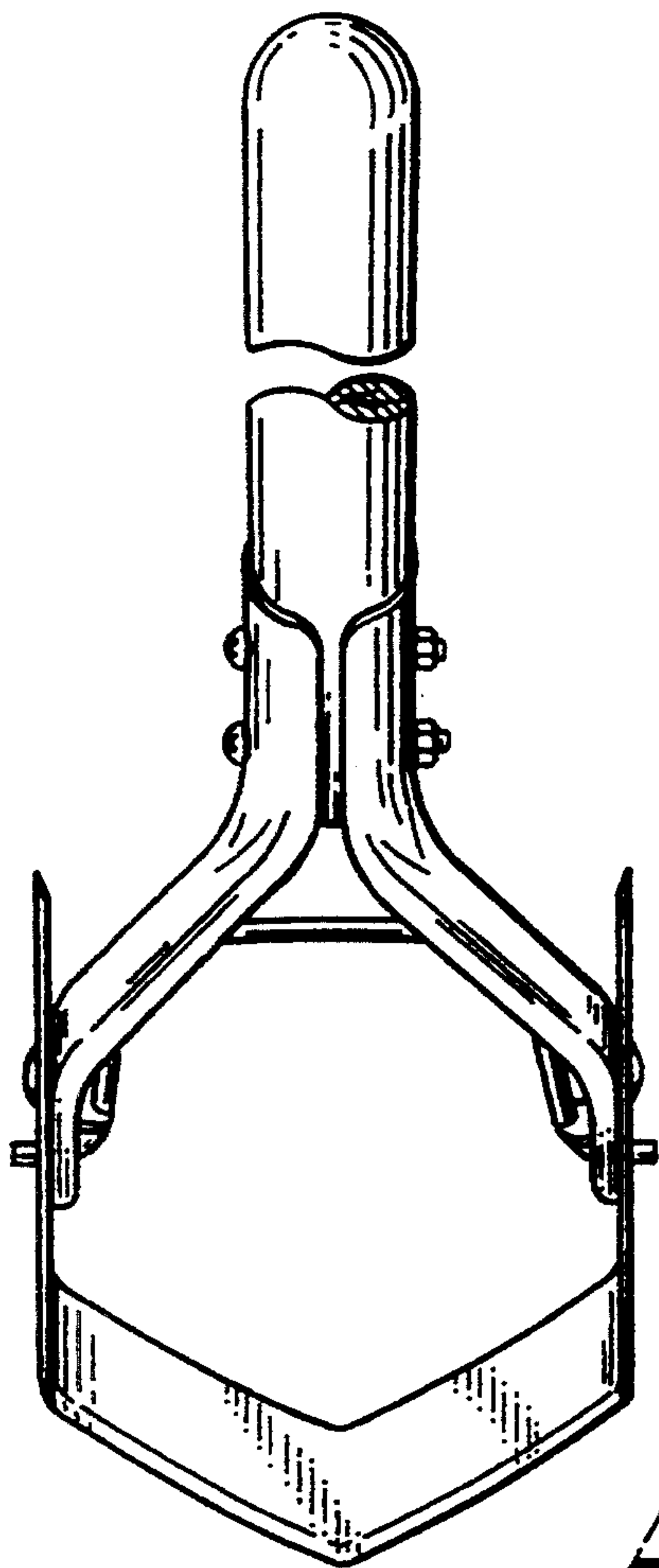
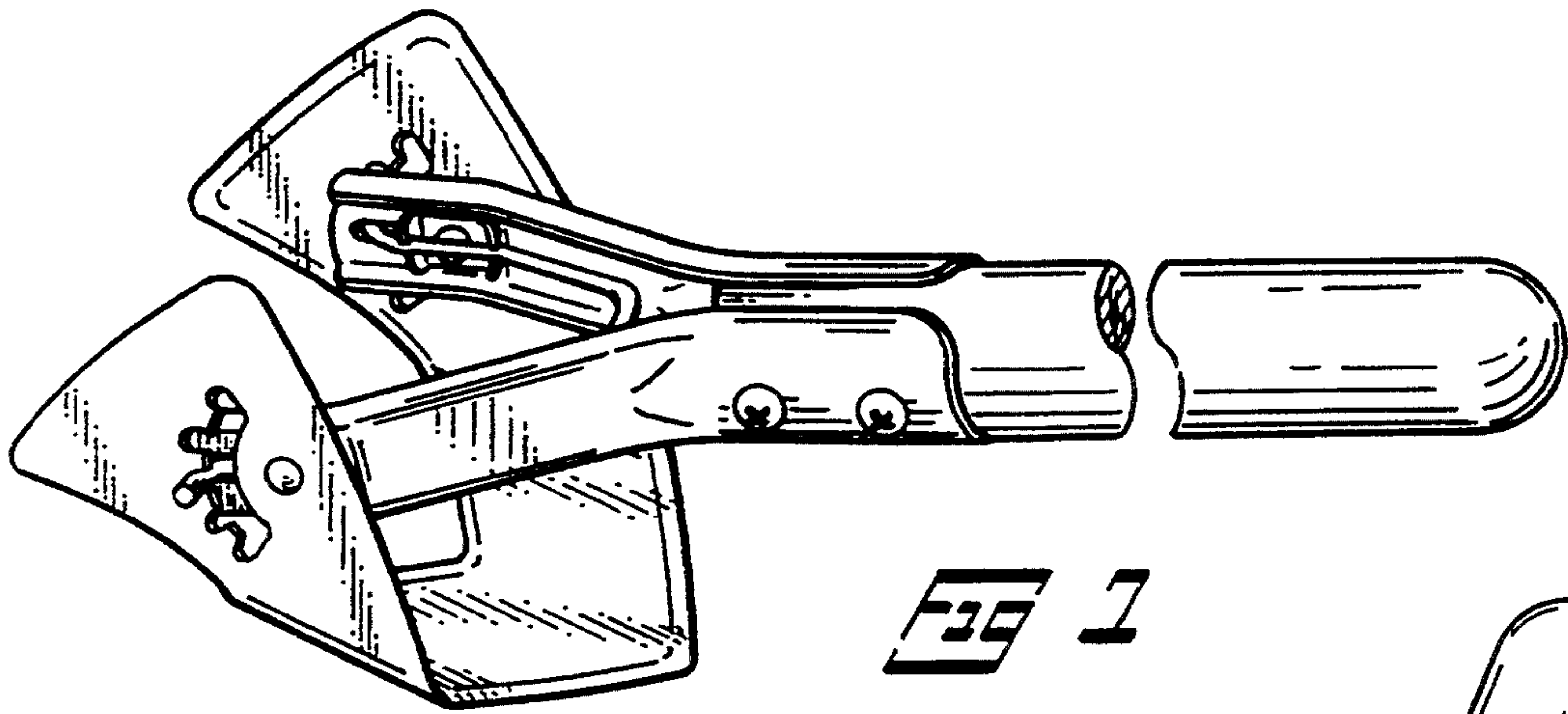
FIG. 1 is a left side perspective view of a first embodiment of an ornamental design for variable pitch garden hoe tool, showing my new design; FIG. 2 is a left side elevational view thereof, with the opposite side being a mirror image; FIG. 3 is a top plan view thereof; FIG. 4 is a front elevational view thereof; FIG. 5 is a bottom plan view thereof; FIG. 6 is a rear elevational view thereof; FIG. 7 is a right side perspective view of a second embodiment of ornamental design for variable pitch garden hoe tool, showing my new design; FIG. 8 is a left side elevational view thereof with the opposite side being a mirror image; FIG. 9 is a perspective view from the left side of this second embodiment; and, FIG. 10 is a rear elevational view thereof. The handle is shown broken away in the FIGS. 1-10 to indicate indeterminate length.

### [56] References Cited

#### U.S. PATENT DOCUMENTS

D. 343,556	1/1994	Bojar	.....	D8/11
D. 348,185	6/1994	Bojar	.....	D8/11
386,197	7/1888	Hain	.....	172/376
568,143	9/1896	Parcells	.....	172/376
824,862	7/1906	Hilton	.....	172/375
1,334,586	3/1920	Baker	.....	172/376
1,591,280	7/1926	Carr	.....	
1,627,901	5/1927	Hills	.....	172/376
1,870,891	8/1932	Bristow	.....	172/376
1,886,178	11/1932	Goddard	.....	
1,895,055	1/1933	Steinour	.....	
1,940,169	12/1933	Hinton	.....	306/15
2,147,980	2/1939	Koenig	.....	172/376
3,965,991	6/1976	Eads et al.	.....	172/376
4,093,031	6/1978	Portz	.....	172/376 X





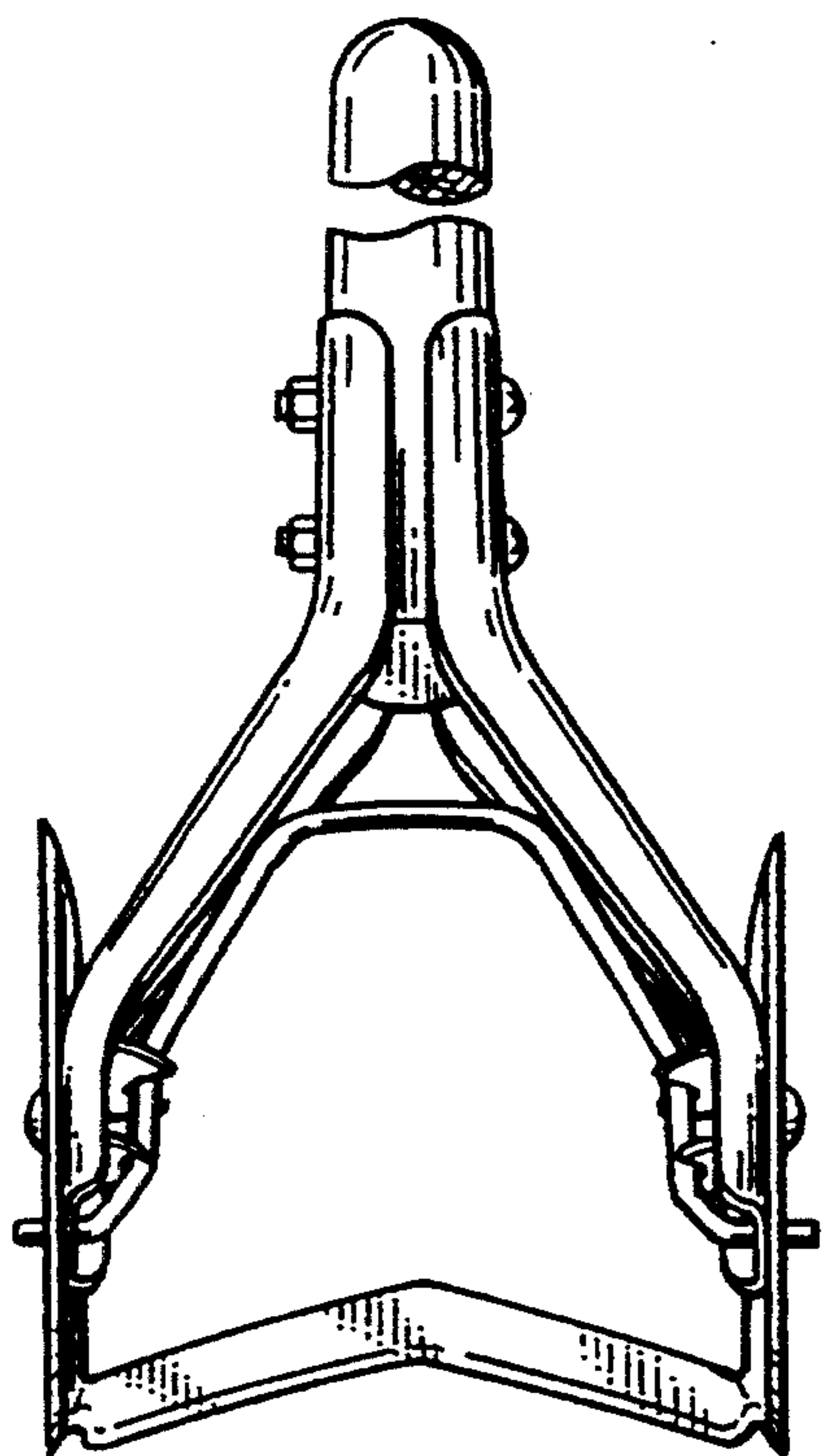


FIG 4

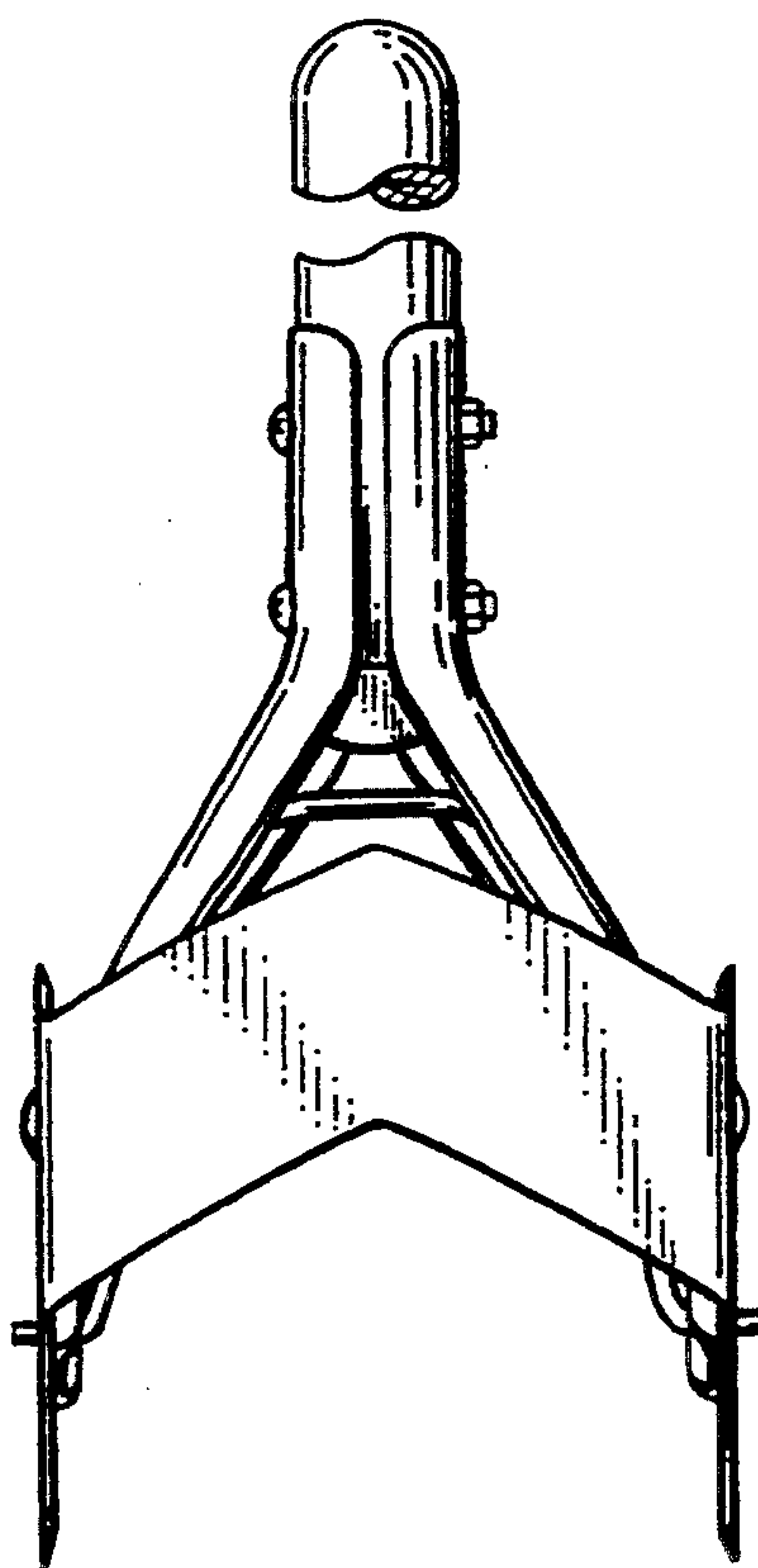


FIG 5

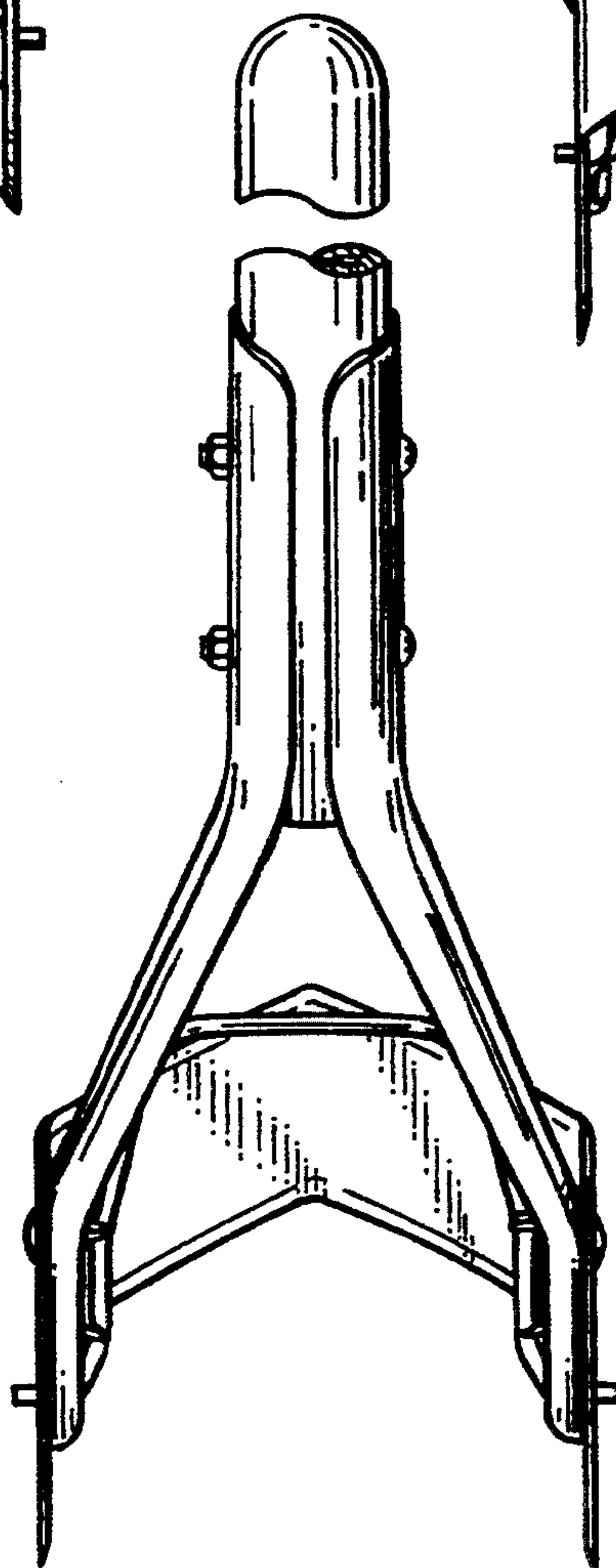


FIG 6



