



US00D359202S

United States Patent [19]

[11] Patent Number: **Des. 359,202**

Cousins et al.

[45] Date of Patent: **** Jun. 13, 1995**

[54] **COLANDER LID**

3,065,855 11/1962 Edwards 210/465 X

[75] Inventors: **Morison S. Cousins**, Winter Park;
Nicholas J. Molo, Kissimmee, both of Fla.

Primary Examiner—Terry A. Wallace
Attorney, Agent, or Firm—John A. Doninger

[73] Assignee: **Dart Industries Inc.**, Deerfield, Ill.

[57] **CLAIM**

The ornamental design for a colander lid, as shown.

[**] Term: **14 Years**

DESCRIPTION

[21] Appl. No.: **18,304**

FIG. 1 is a top, front and side perspective view of a colander lid showing our new design;
FIG. 2 is a front elevation view thereof;
FIG. 3 is a rear elevation view thereof;
FIG. 4 is a top plan view thereof;
FIG. 5 is a left side elevation view thereof;
FIG. 6 is a bottom plan view thereof;
FIG. 7 is a right side elevation view thereof;
FIG. 8 is a cross-section view thereof on line 8—8 in FIG. 4; and,
FIG. 9 is a cross-section view thereof on line 9—9 in FIG. 4.

[22] Filed: **Feb. 2, 1994**

[52] U.S. Cl. **D7/667**

[58] Field of Search **D7/667, 668, 400;**
210/464-465, 470-471, 473, 498-499

[56] **References Cited**

U.S. PATENT DOCUMENTS

2,284,342 5/1942 Quinby 210/465
2,466,347 4/1949 Ziemianin, Sr. 210/465

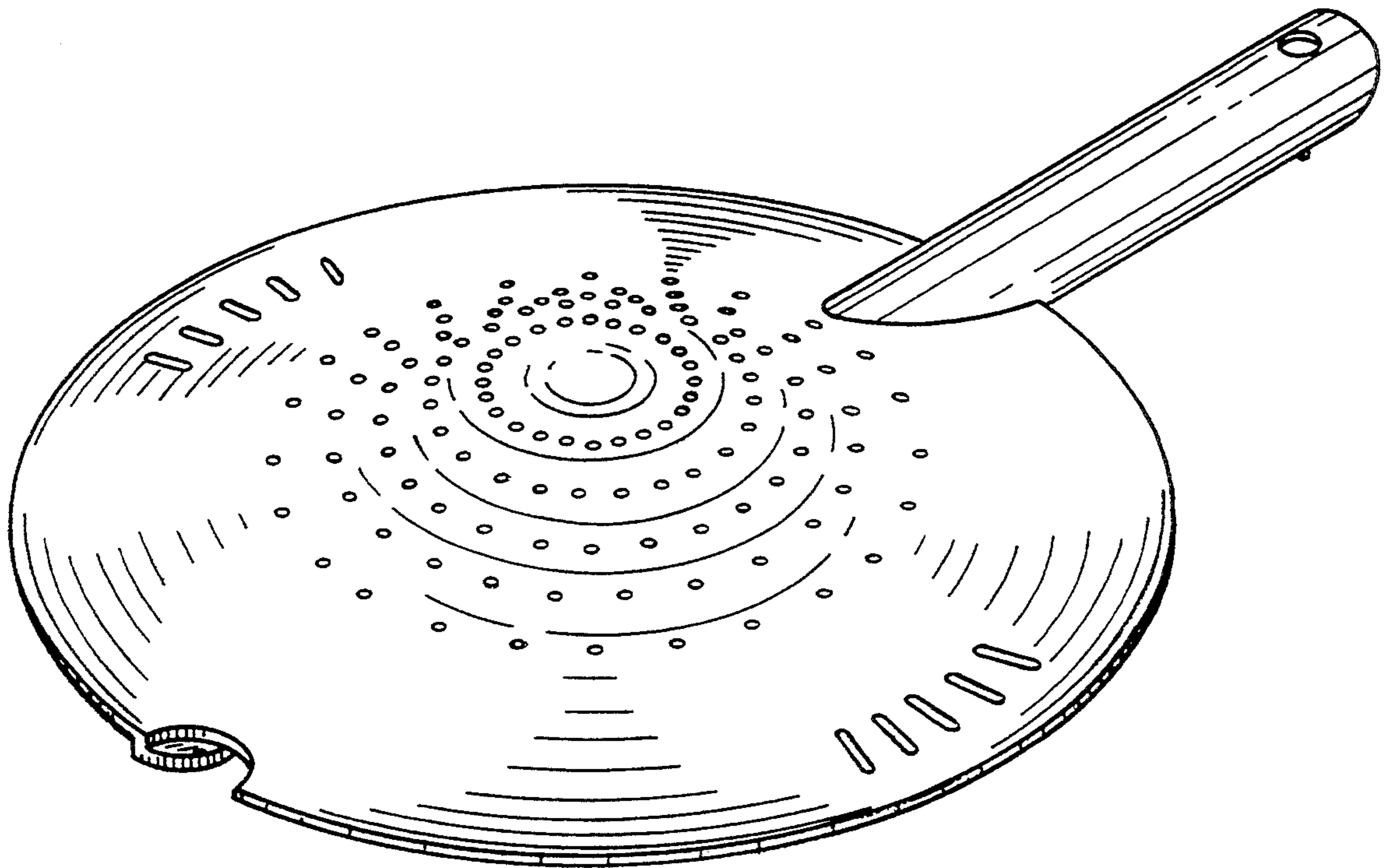


FIG. 1

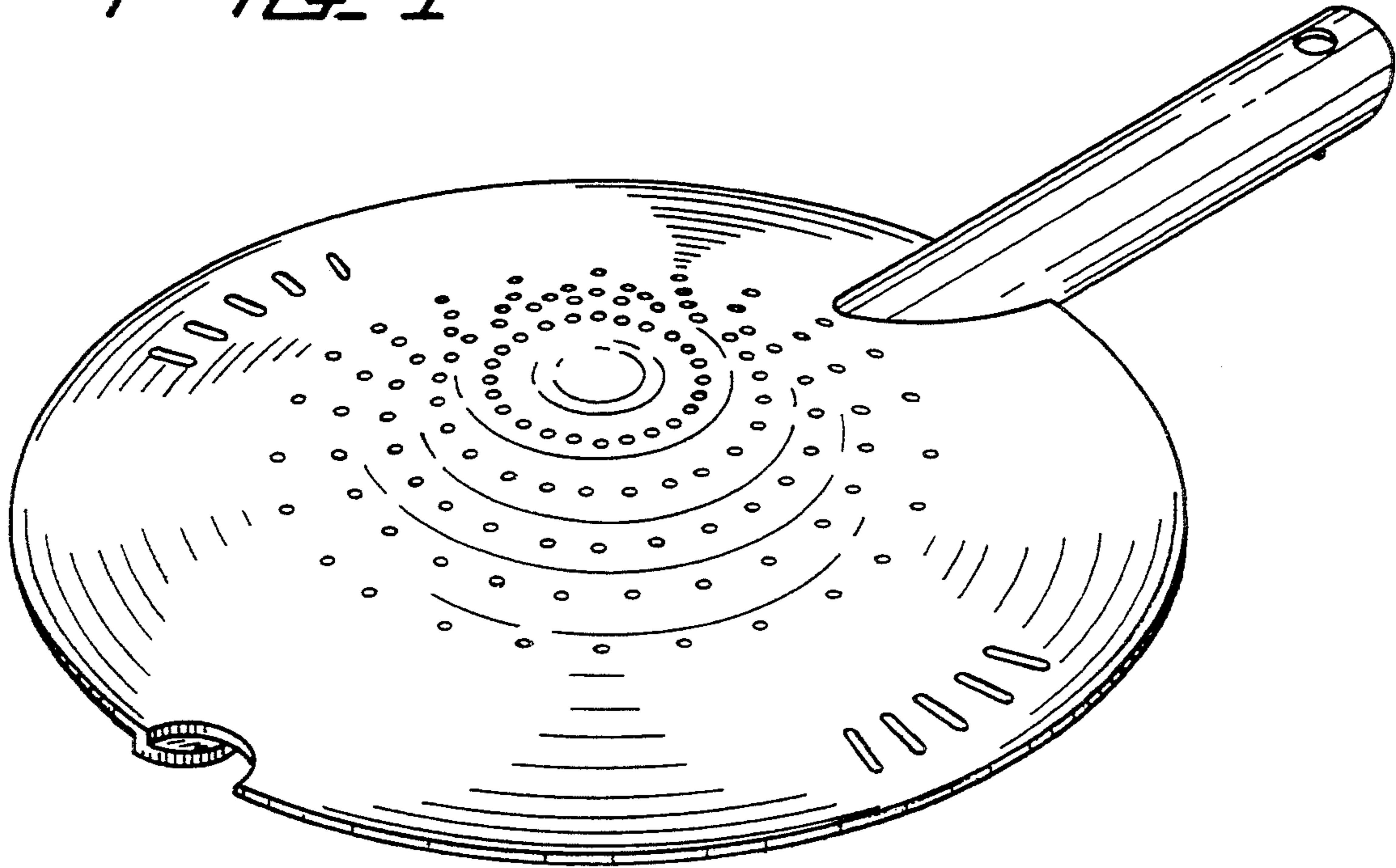


FIG. 2

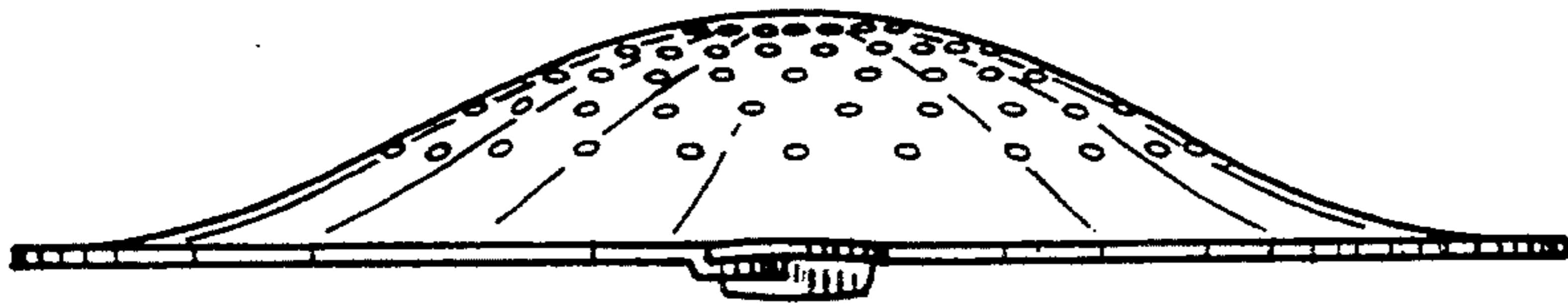
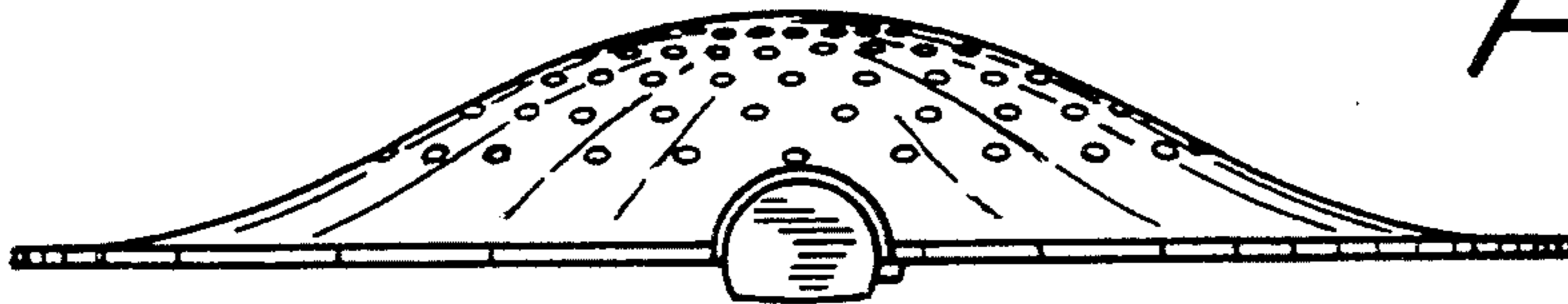
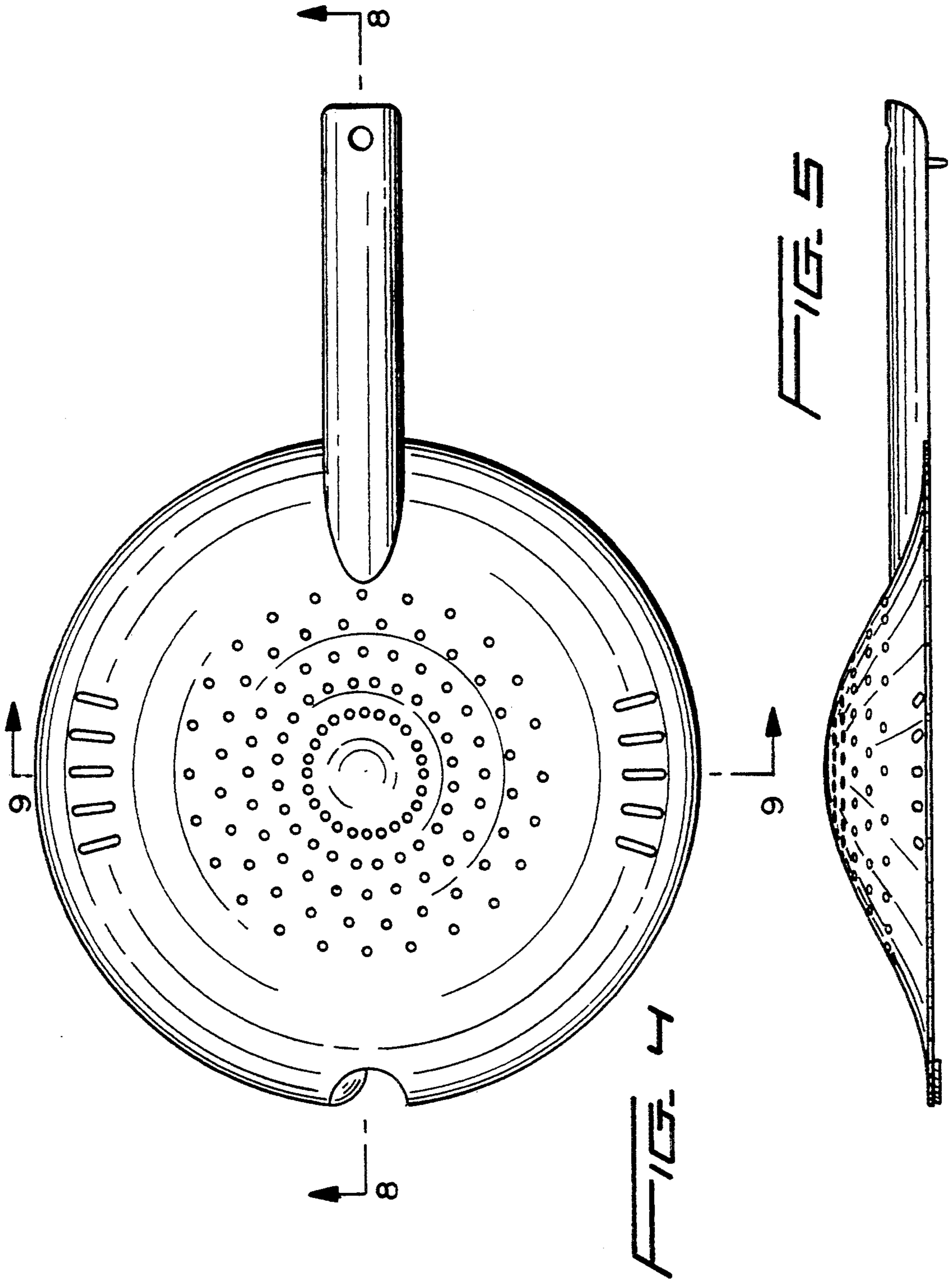


FIG. 3





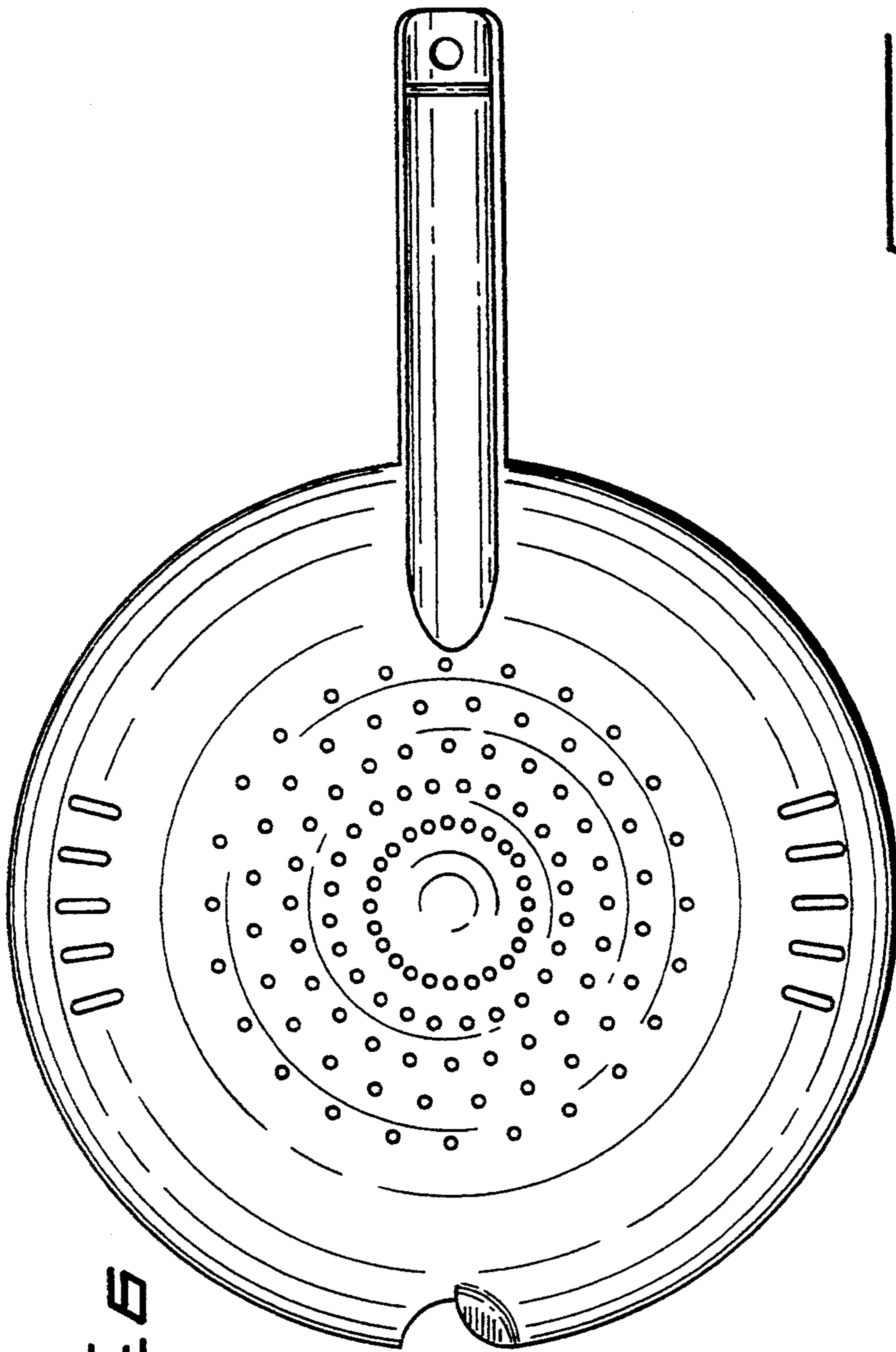


FIG. 7

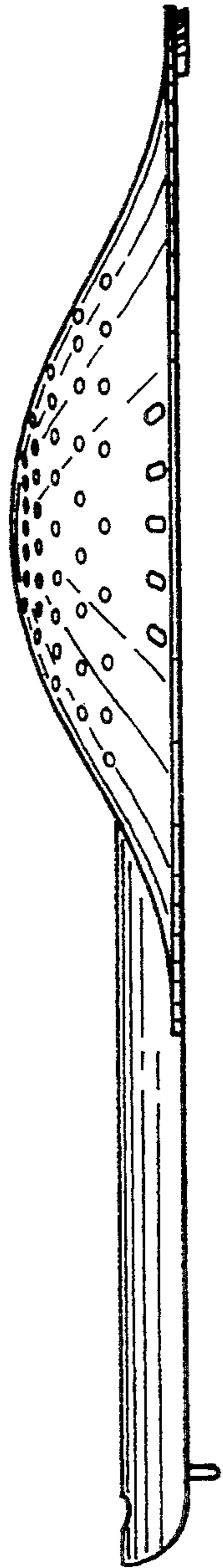


FIG. 8

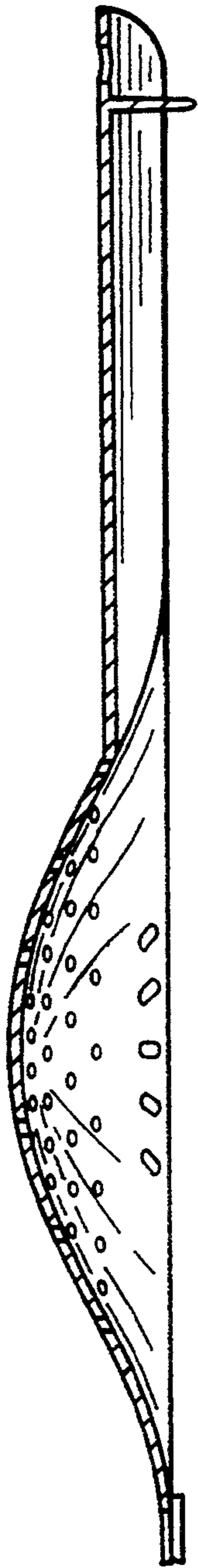


FIG. 9

