



US00D359200S

United States Patent [19]

[11] Patent Number: **Des. 359,200**

Gowin

[45] Date of Patent: **** Jun. 13, 1995**

[54] **COOLER**

[56] **References Cited**

[76] Inventor: **Charles E. Gowin**, 1730 Bruton Rd.,
Balch Springs, Tex. 75180

U.S. PATENT DOCUMENTS

D. 184,689	3/1959	Schoenfeld	D3/232
D. 328,550	8/1992	Mogil et al.	D7/605
2,289,254	7/1942	Eagles	D7/606

[**] Term: **14 Years**

Primary Examiner—Terry A. Wallace
Attorney, Agent, or Firm—Timmons & Kelly; W.
Thomas Timmons

[21] Appl. No.: **28,369**

[57] **CLAIM**

[22] Filed: **Sep. 13, 1994**

The ornamental design for a cooler, as shown and described.

Related U.S. Application Data

DESCRIPTION

[62] Division of Ser. No. 920,044, Jul. 27, 1992, Pat. No. D. 250,874.

FIG. 1 is a front left perspective view of a cooler showing my new design;

[52] U.S. Cl. **D7/606; D3/232**

FIG. 2 is a rear elevational view thereof;

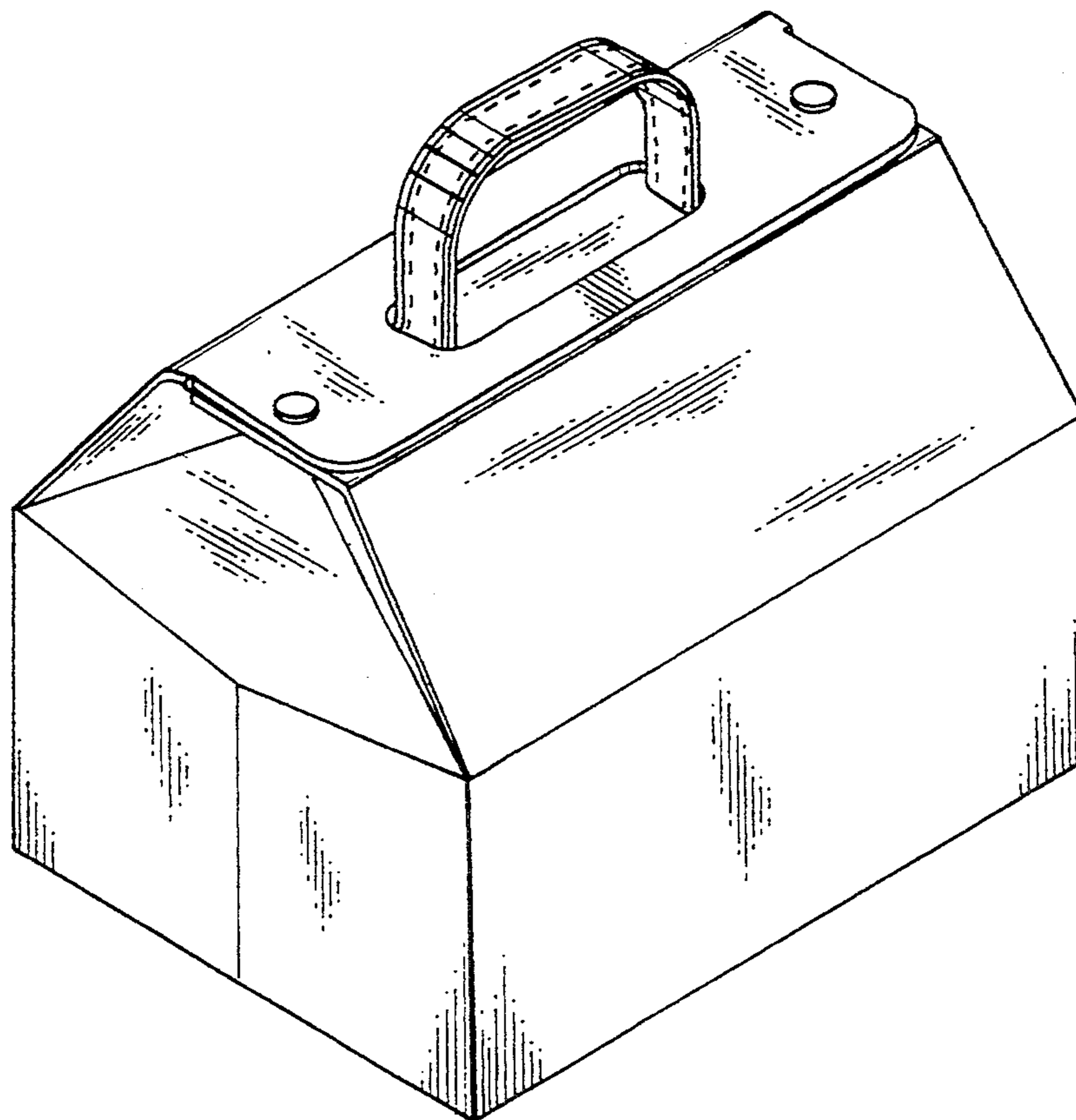
[58] Field of Search **D7/605-606;**

FIG. 3 is a right side elevational view thereof;

D3/201, 232, 233, 246, 276; 62/457.1, 457.6, 457.7; 190/100, 113, 115, 117; 383/110

FIG. 4 is a top plan view thereof; and,

FIG. 5 is a bottom plan view thereof.



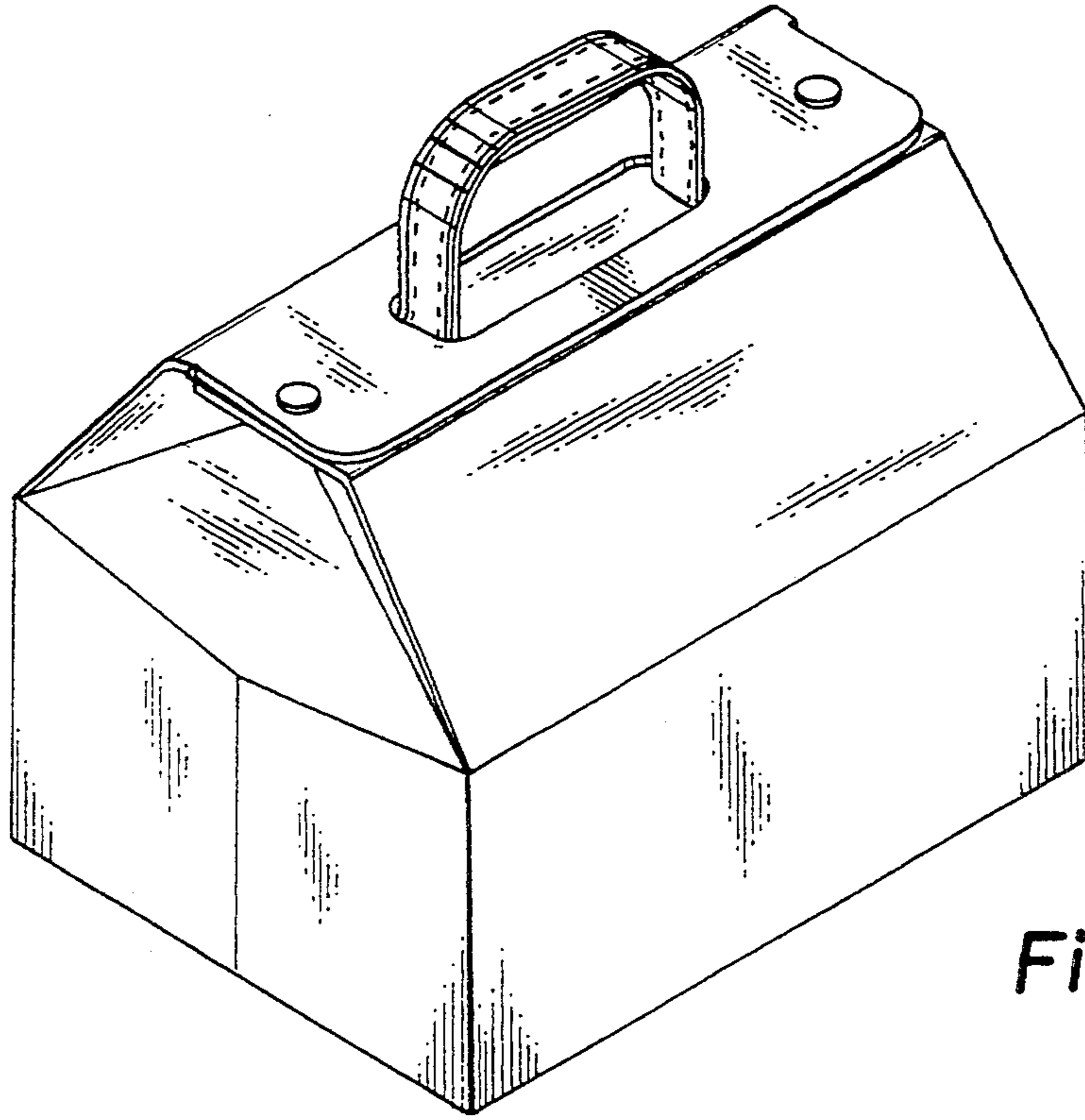


Fig. 1

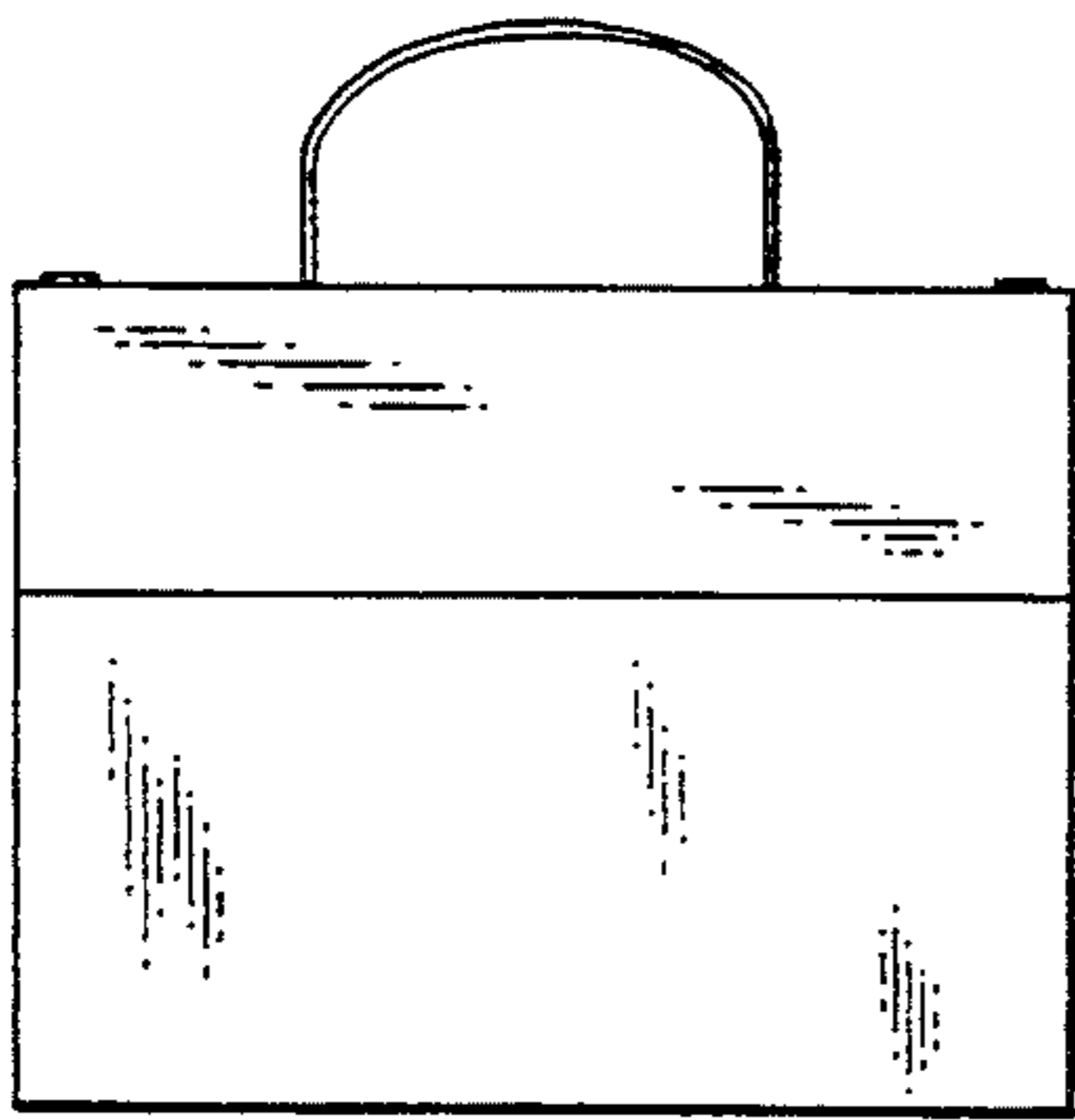


Fig. 2

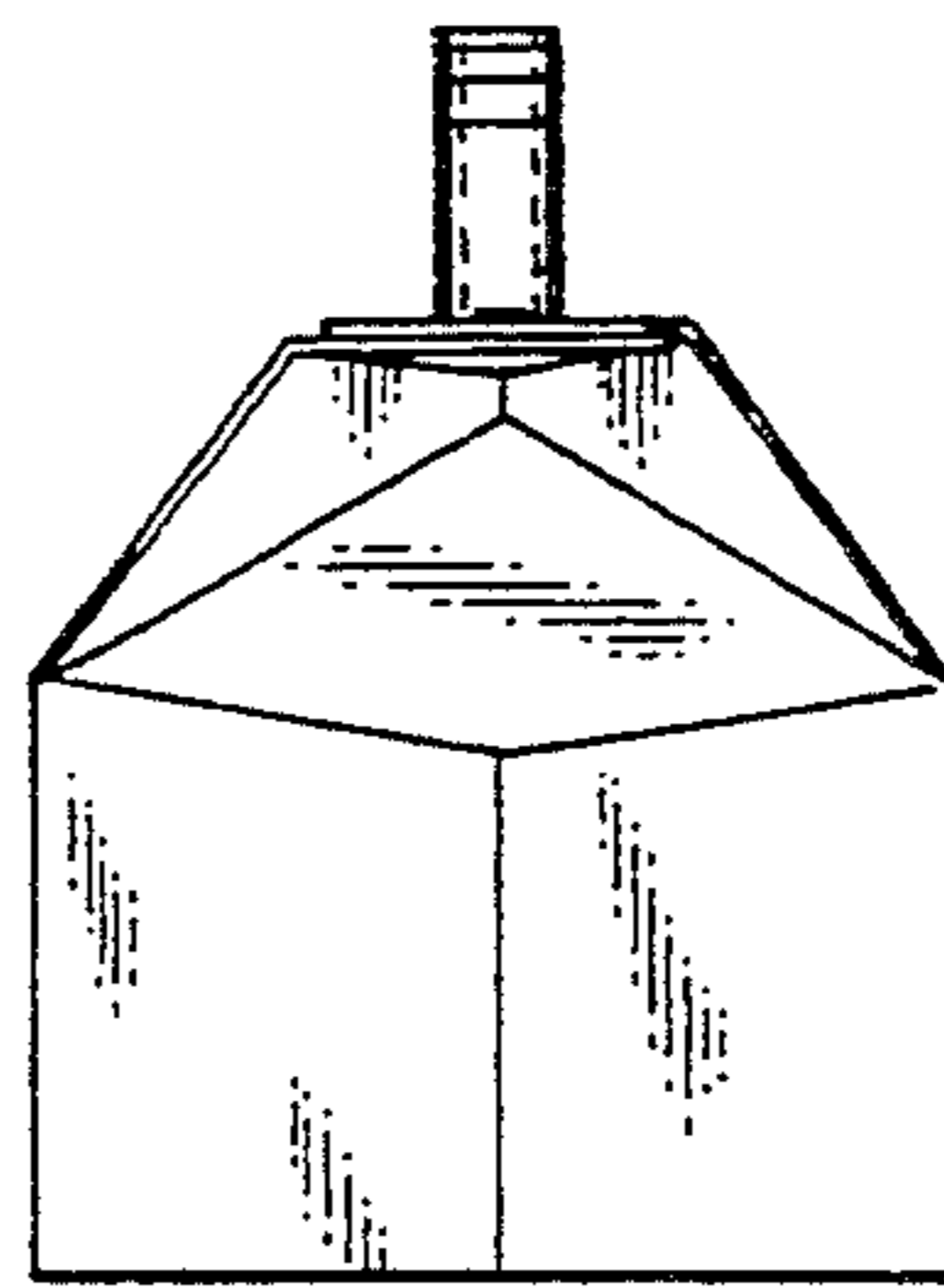


Fig. 3

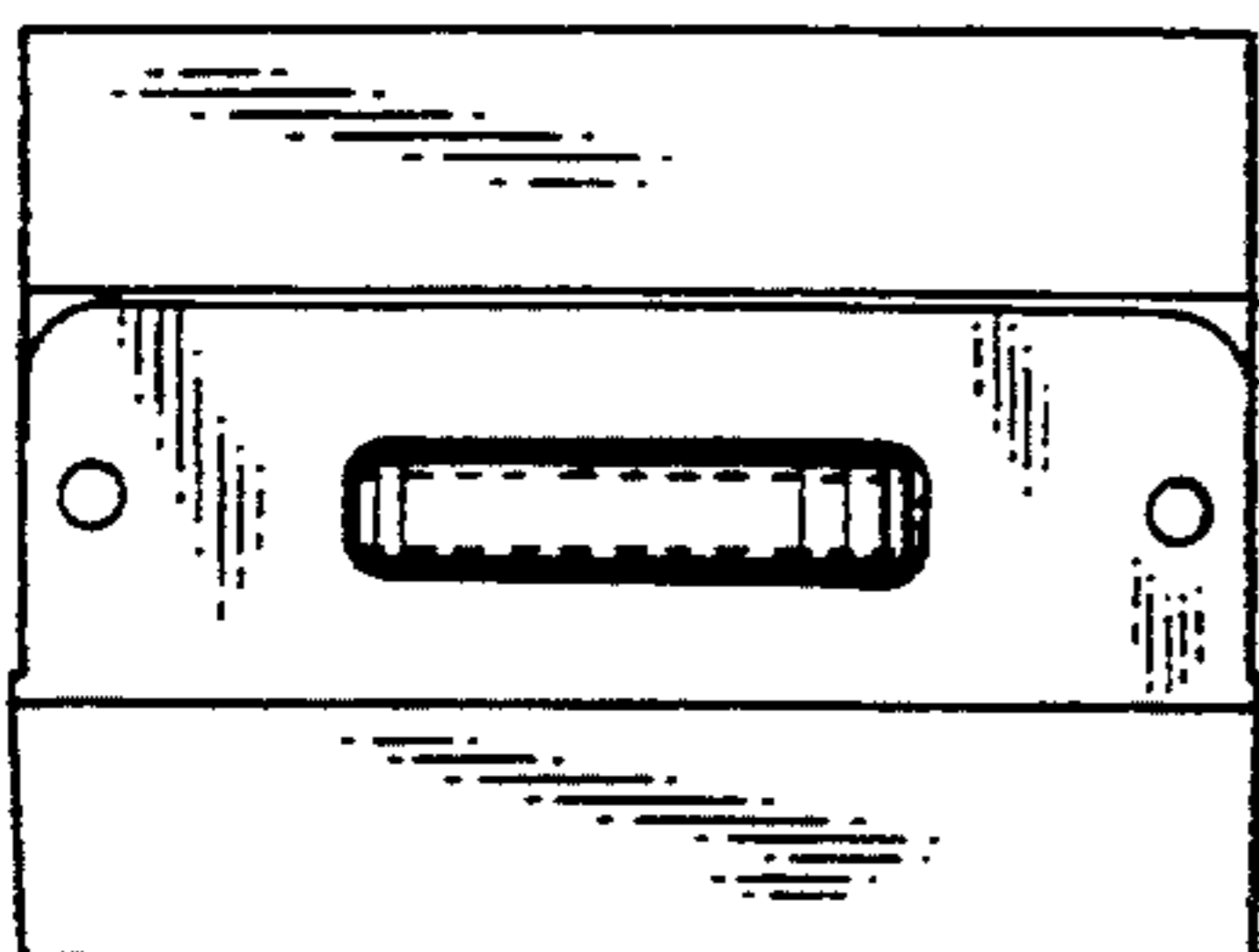


Fig. 4

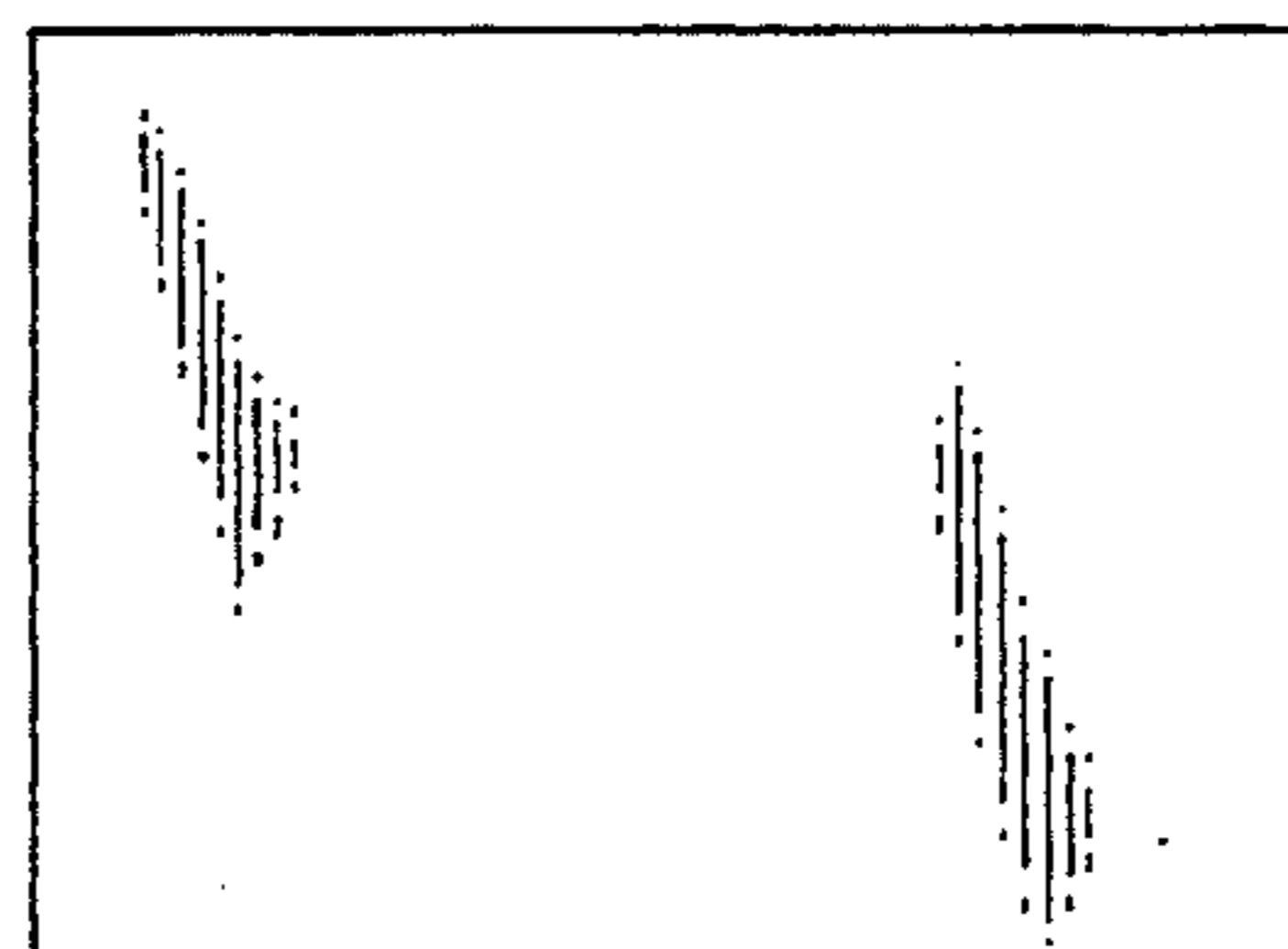


Fig. 5