



US00D359198S

# United States Patent [19]

[11] Patent Number: **Des. 359,198**

Scherer

[45] Date of Patent: **\*\* Jun. 13, 1995**

[54] PLATE

[56]

### References Cited

#### U.S. PATENT DOCUMENTS

[75] Inventor: **Bernard Scherer, Luxembourg, Luxembourg**

D. 48,599	2/1916	Lockett .....	D7/570
D. 48,882	4/1916	Anderson .....	D7/585
D. 50,401	2/1917	Miller .....	D7/570 X
D. 66,712	2/1925	Sebring .....	D7/585
D. 66,776	3/1925	McDonald .....	D7/585
D. 70,866	8/1926	Thompson .....	D7/585

[73] Assignee: **Villeroy & Boch S.a.r.l., Luxembourg, Luxembourg**

*Primary Examiner*—Alan P. Douglas  
*Assistant Examiner*—Caron D. Veynar  
*Attorney, Agent, or Firm*—Fishman, Dionne & Cantor

[\*\*] Term: **14 Years**

### [57] CLAIM

[21] Appl. No.: **301,497**

The ornamental design of a plate, as shown and described.

[22] Filed: **Jan. 25, 1989**

### DESCRIPTION

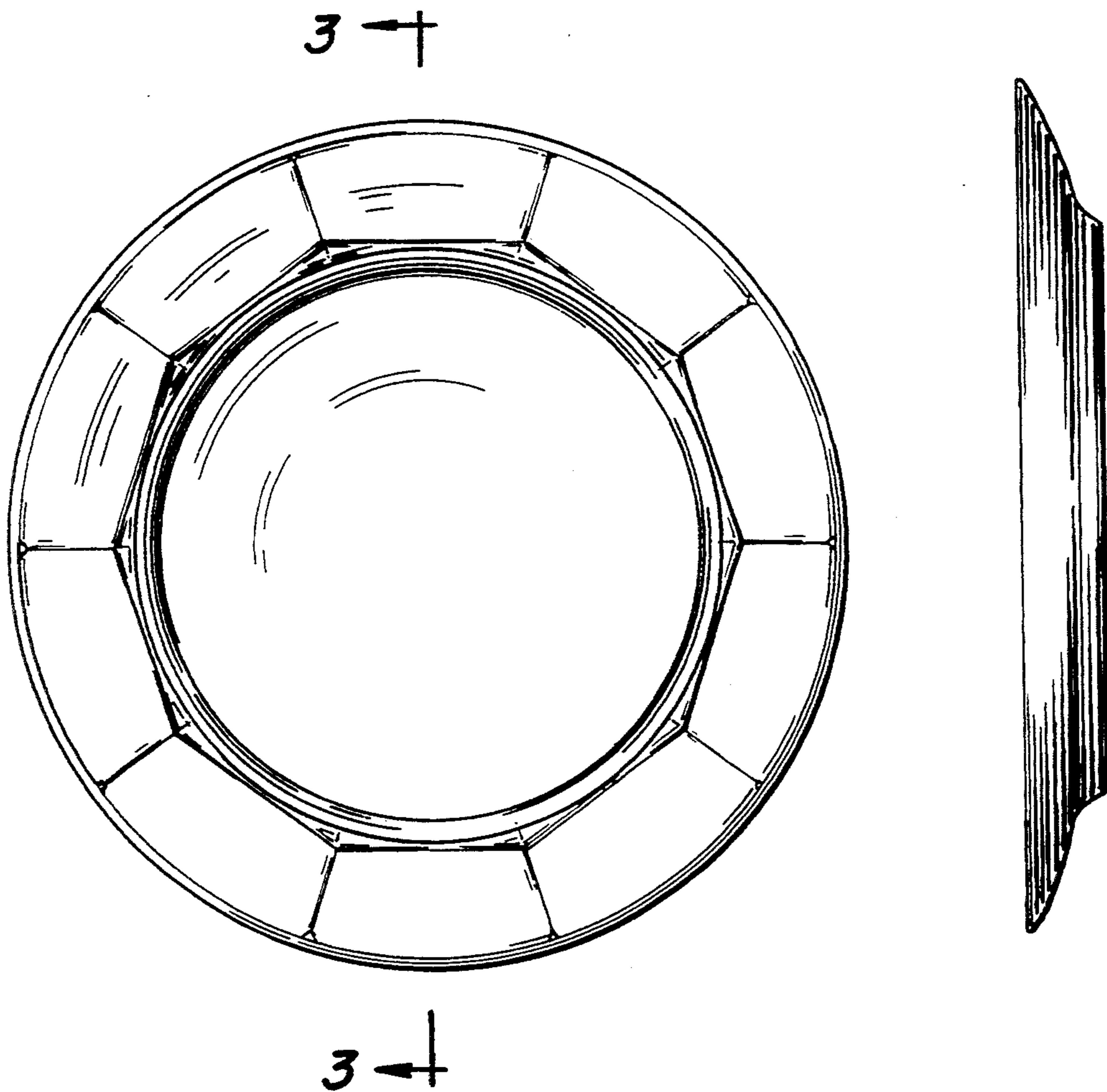
### [30] Foreign Application Priority Data

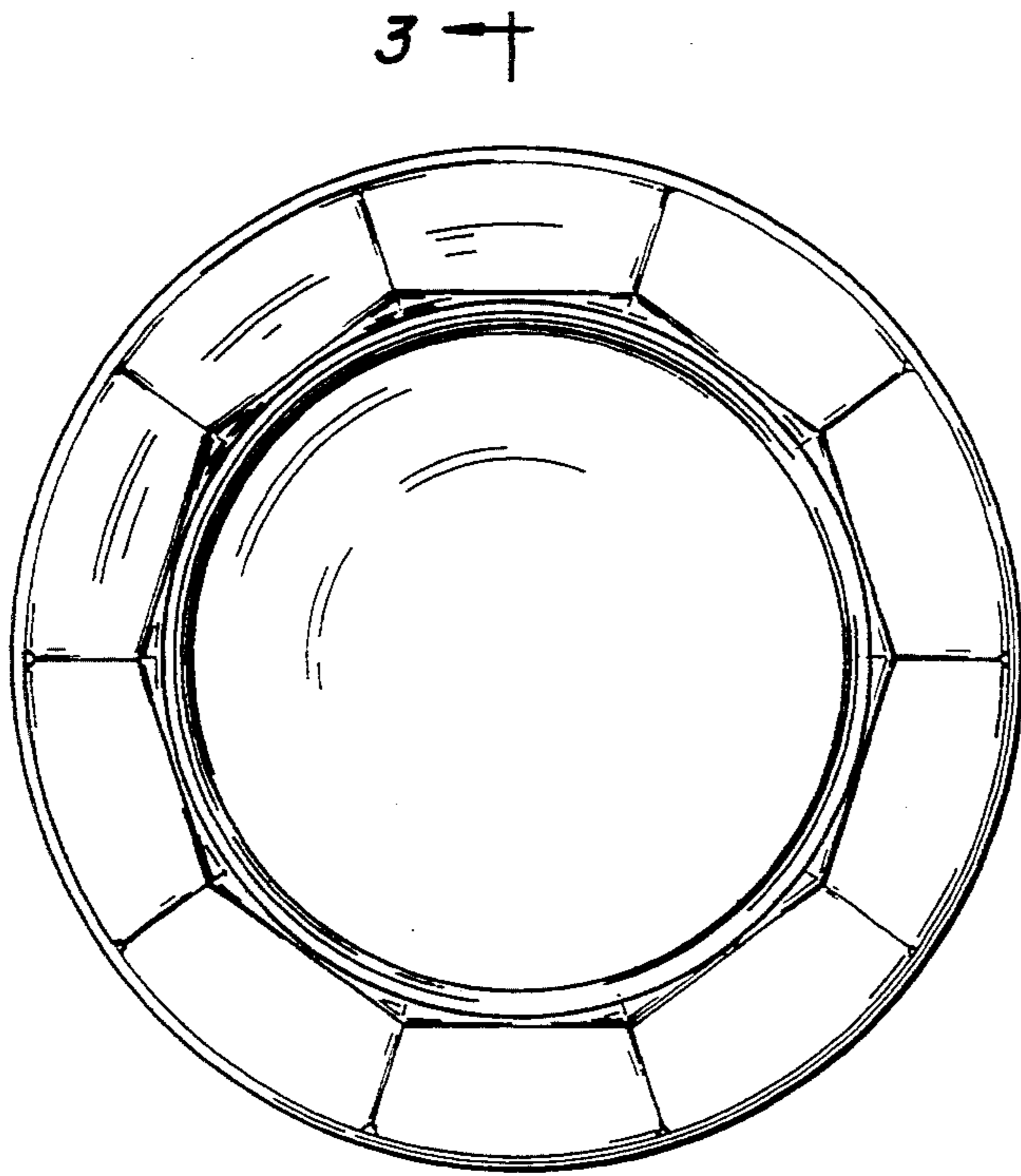
Sep. 19, 1988 [XH] Hague Agreement ..... DM/011759

[52] U.S. Cl. .... **D7/585; D7/570**

[58] Field of Search ..... **D7/570, 584, 585, 564, D7/572, 500, 505, 550, 354**

FIG. 1 is a top plan view of a plate showing my new design;  
FIG. 2 is a side elevation view thereof;  
FIG. 3 is a cross-sectional view thereof taken on line 3—3 of FIG. 1; and,  
FIG. 4 is a bottom plan view thereof.





3  
FIG. 1



FIG. 2

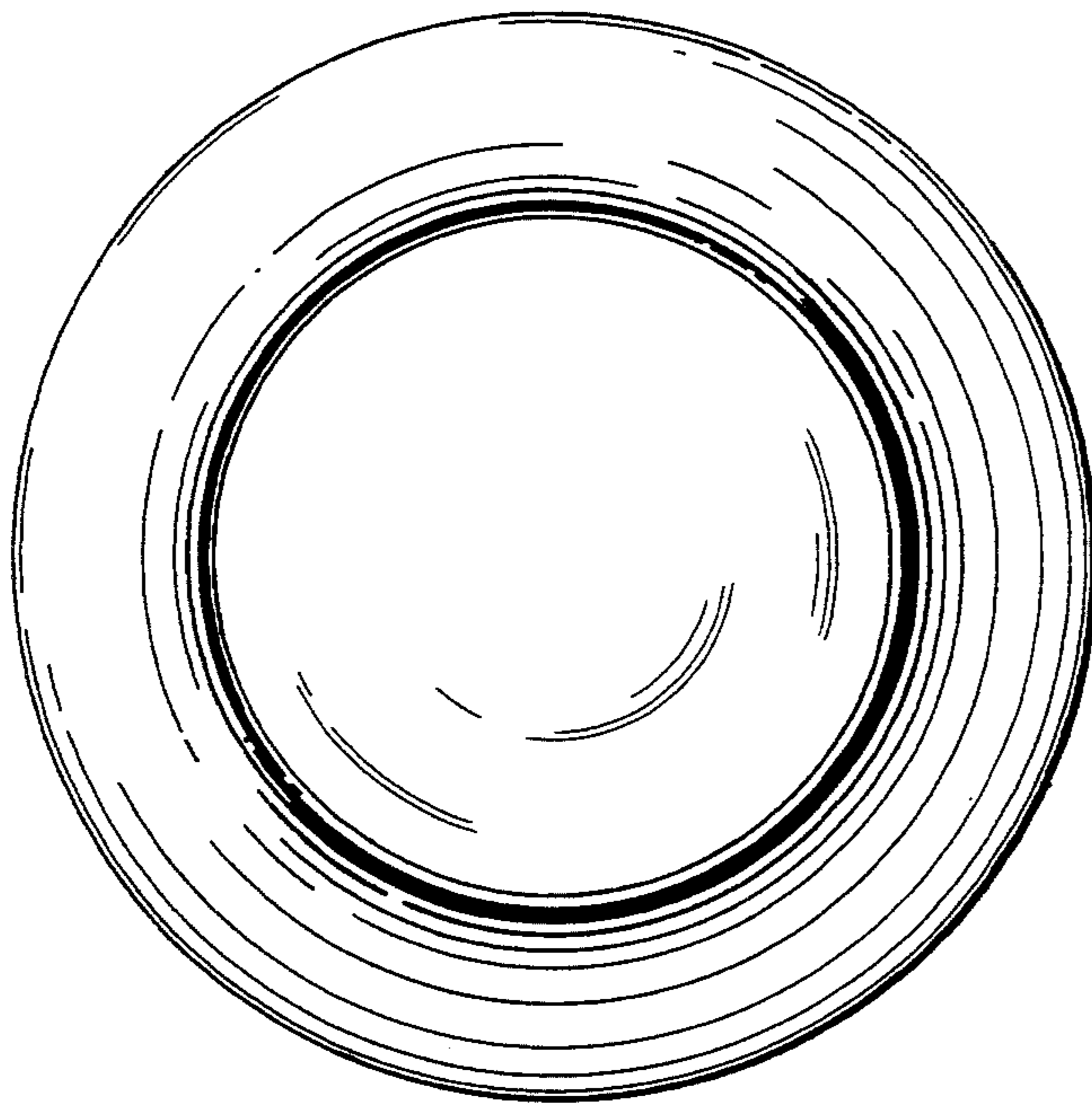


FIG. 4



FIG. 3