



US00D359196S

# United States Patent [19]

[11] Patent Number: **Des. 359,196**

**Nichols**

[45] Date of Patent: **\*\* Jun. 13, 1995**

- [54] **DRINKING CONTAINER**
- [75] Inventor: **Khipra J. Nichols**, Rumford, R.I.
- [73] Assignee: **Playskool, Inc.**, Pawtucket, R.I.
- [\*\*] Term: **14 Years**
- [21] Appl. No.: **16,542**
- [22] Filed: **Dec. 17, 1993**
- [52] U.S. Cl. .... **D7/510; D7/511; D7/608**
- [58] **Field of Search** ..... **D7/510, 511, 507, 509, D7/514, 523, 533, 603, 605, 608; D9/440, 445, 446, 500, 538, 539, 551, 564, 503, 504, 532, 502, 557; 220/703, 711, 713, 705, 707, 709, 714, 715, 675; 215/1 A, 329**

5,249,702 10/1993 Topp et al. .... 220/705

*Primary Examiner*—Alan P. Douglas  
*Assistant Examiner*—M. N. Pandozzi  
*Attorney, Agent, or Firm*—Kurt R. Benson

### [57] CLAIM

The ornamental design for a drinking container, as shown and described.

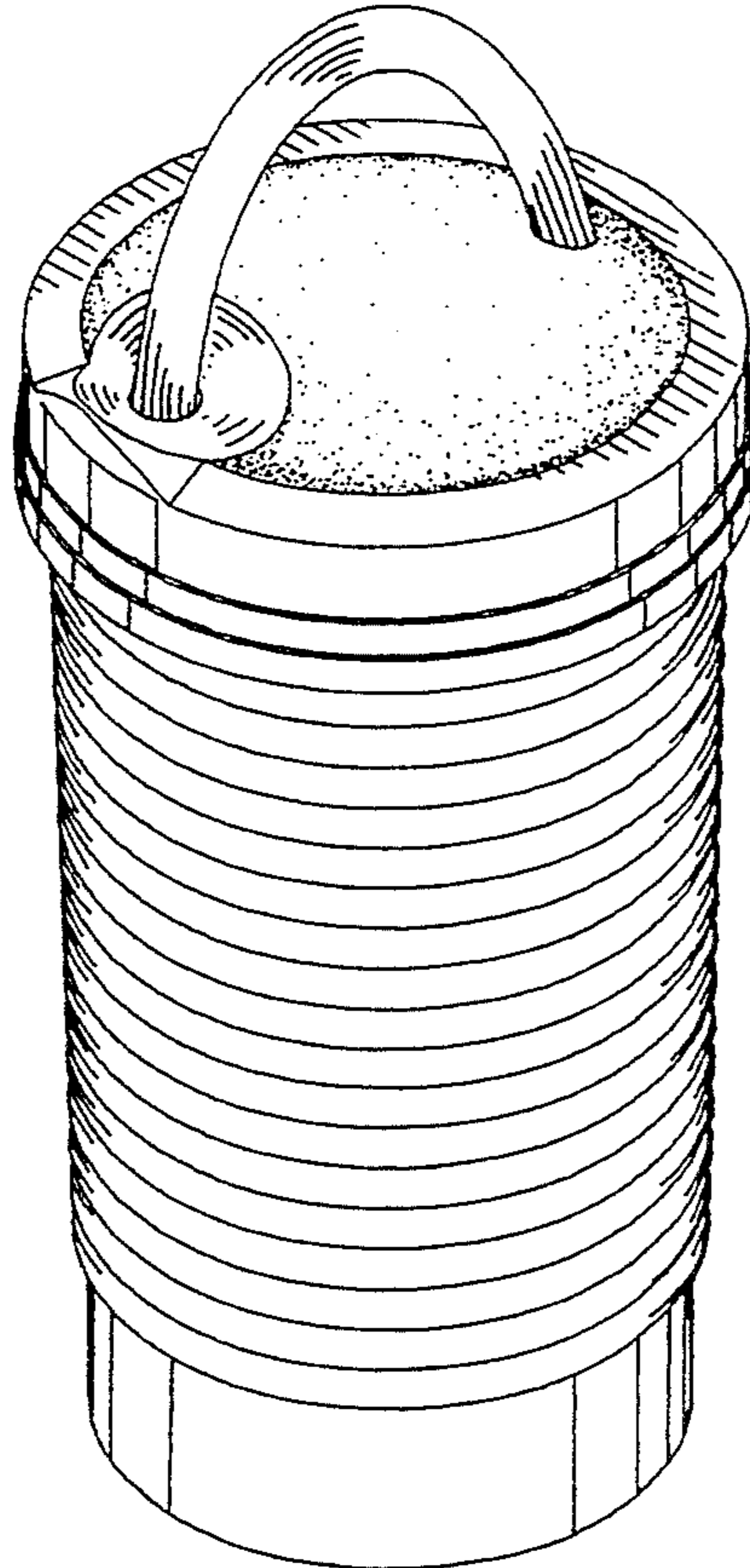
### DESCRIPTION

FIG. 1 is a perspective view of a drinking container of the subject invention in a first position;  
 FIG. 2 is a top plan view thereof;  
 FIG. 3 is a bottom plan view thereof;  
 FIG. 4 is a right side elevational view thereof, the opposite side being a mirror image;  
 FIG. 5 is a front elevational view thereof;  
 FIG. 6 is a rear elevational view thereof;  
 FIG. 7 is a perspective view thereof in a second position;  
 FIG. 8 is a top plan view thereof in the second position;  
 FIG. 9 is a bottom plan view thereof;  
 FIG. 10 is a right side elevational view thereof in the second position, the opposite side being a mirror image;  
 FIG. 11 is a front elevational view thereof in the second position; and,  
 FIG. 12 is a rear elevational view thereof in the second position.

### [56] References Cited

#### U.S. PATENT DOCUMENTS

D. 277,821	3/1985	Nestrock	.....	D7/608
D. 318,227	7/1991	Halm	.....	D9/502
D. 321,626	11/1991	Kouts	.....	D7/608 X
D. 330,993	11/1992	Robbins, III	.....	D7/511 X
D. 331,825	12/1992	Osgar et al.	.....	D7/502 X
D. 337,526	7/1993	Teo	.....	D9/557 X
3,349,987	10/1967	Weitzner	.....	220/705 X
4,261,332	5/1981	Conn	.....	220/705 X
4,462,544	7/1984	Rutzel et al.	.....	220/705 X
5,109,995	5/1992	Lou	.....	220/709 X



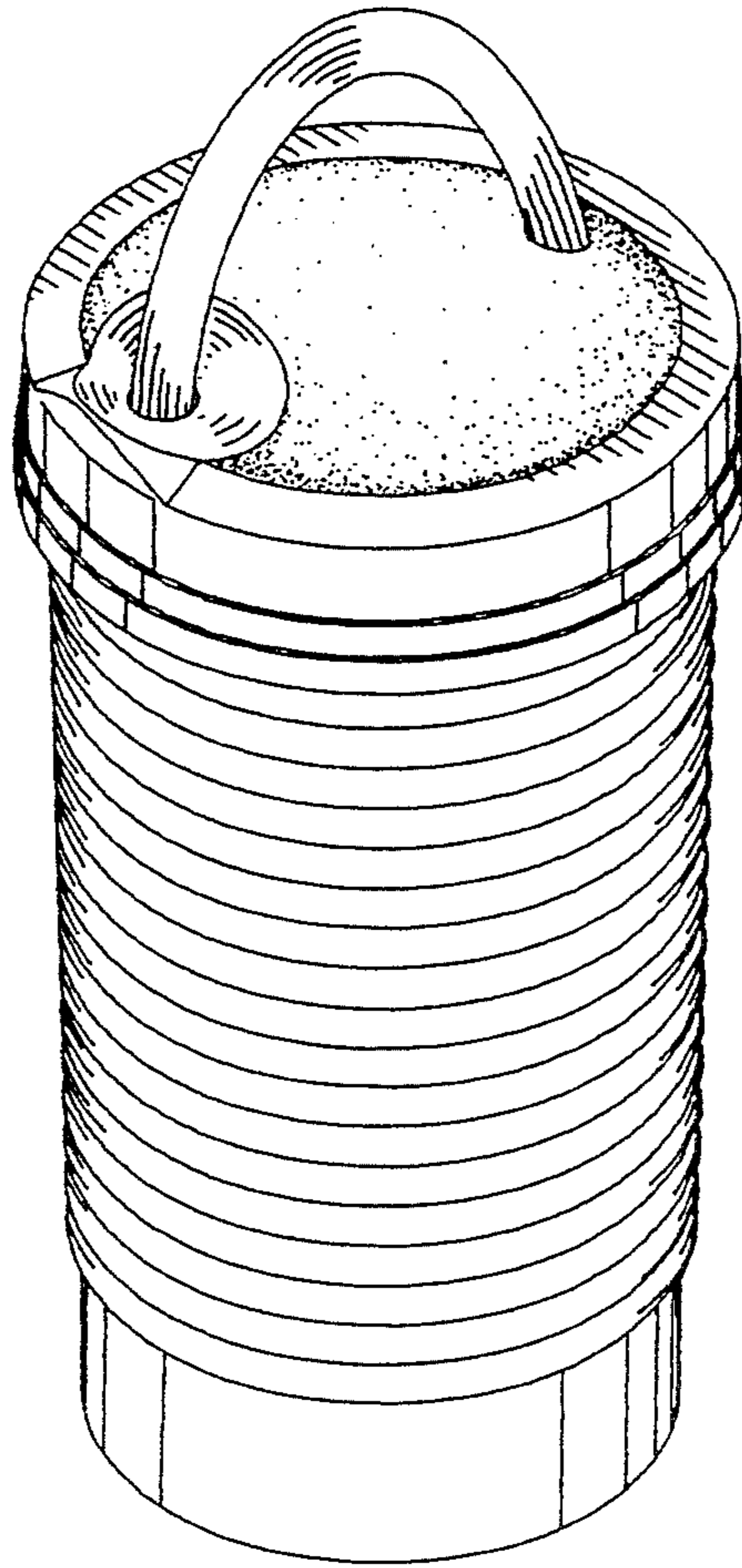


FIG. 1

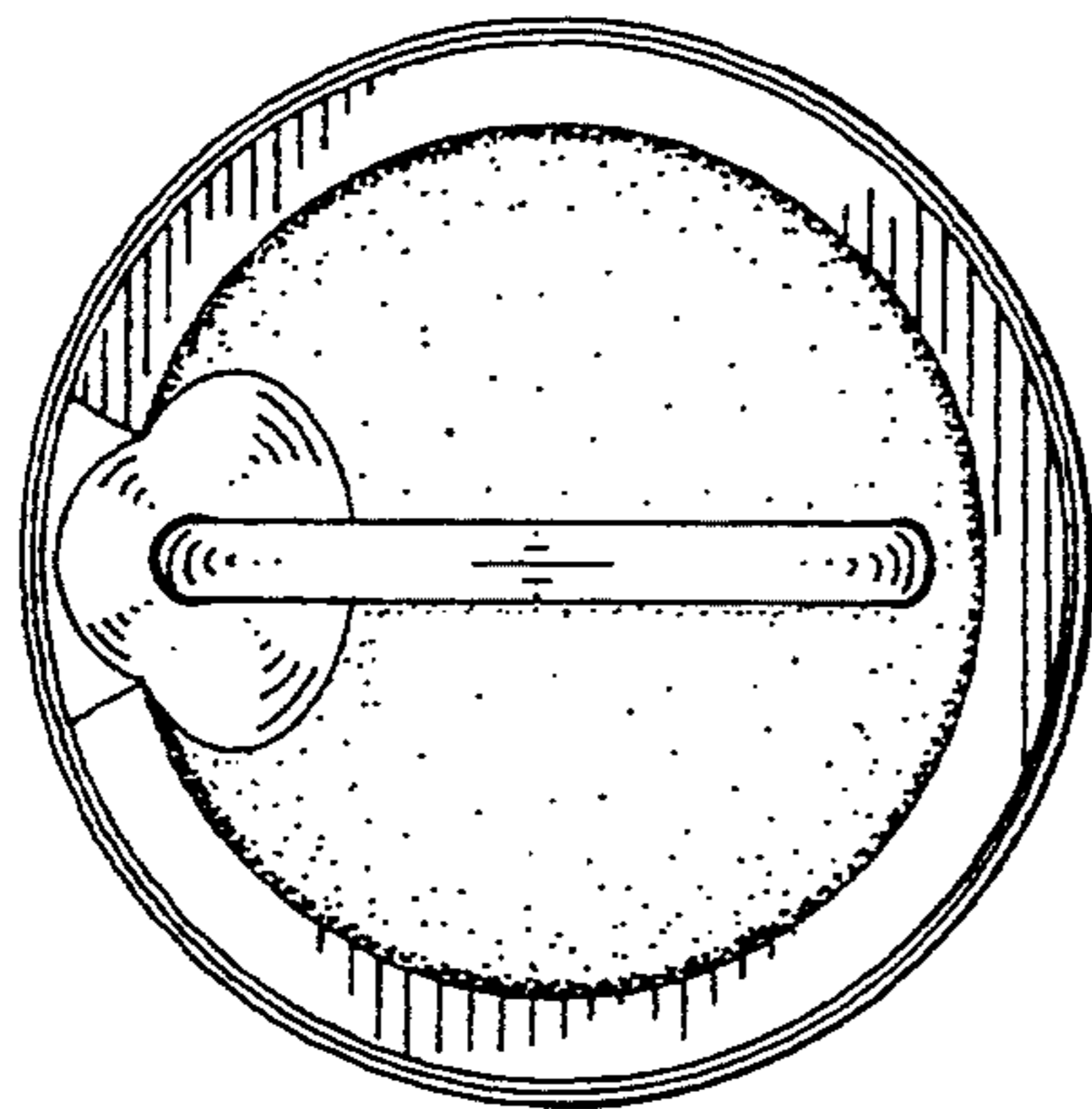


FIG. 2

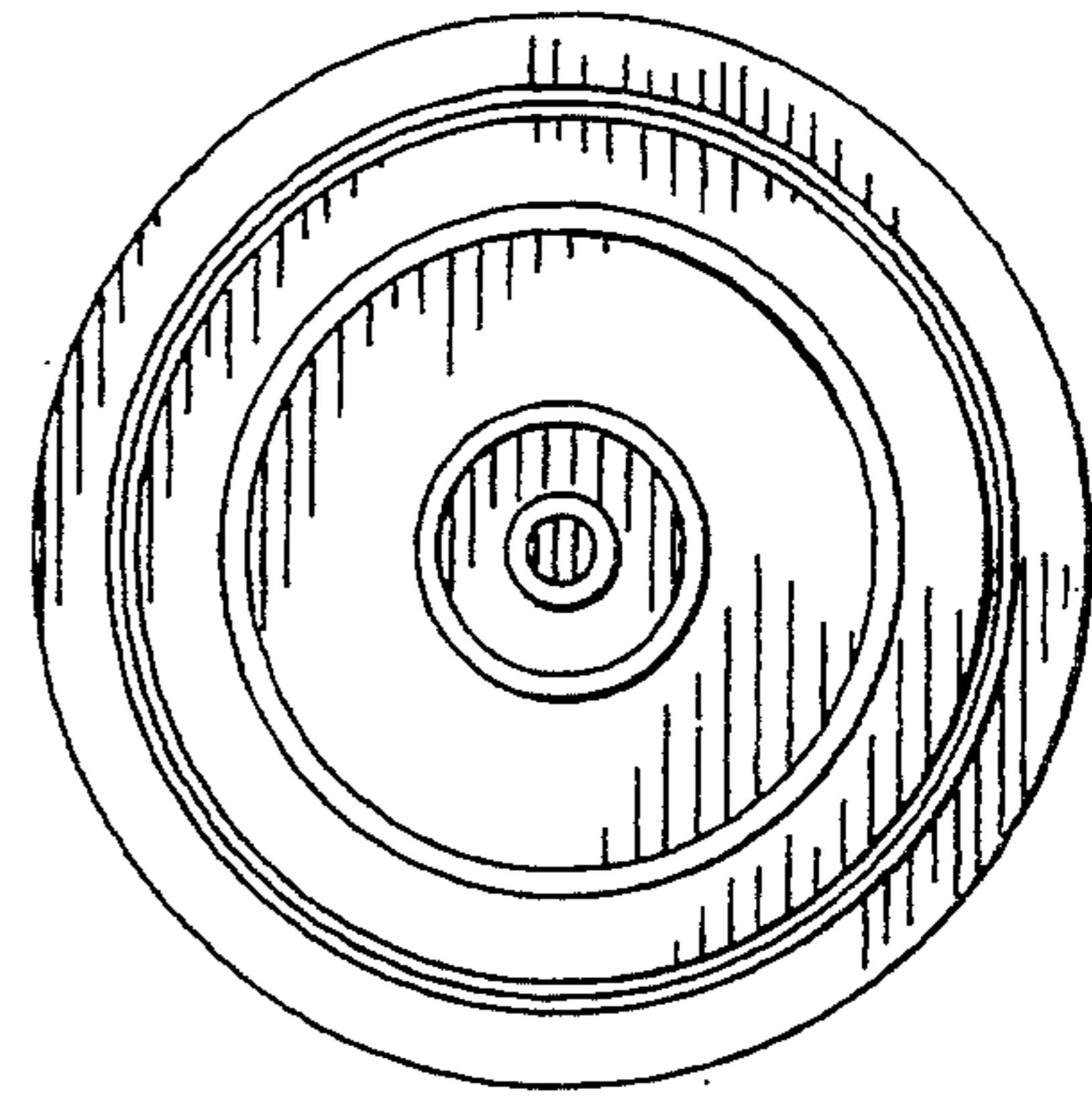


FIG. 3

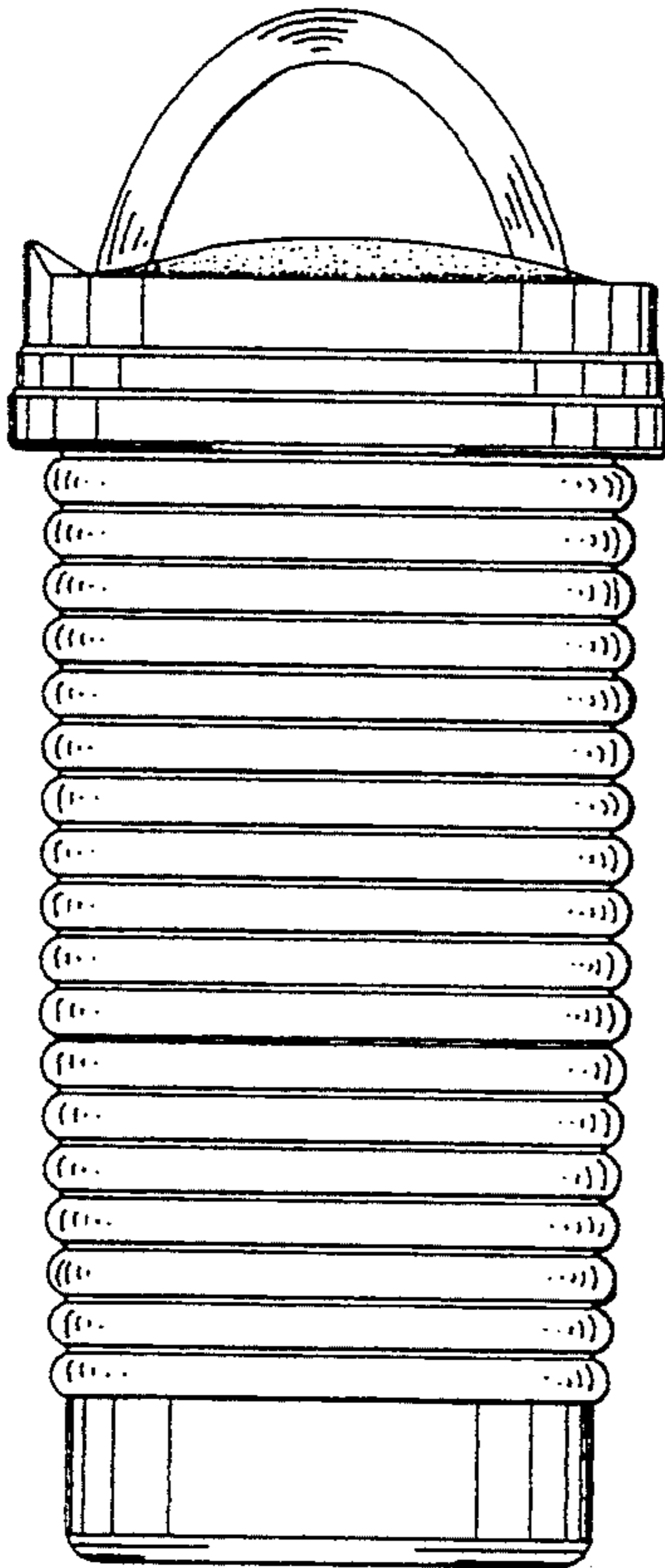


FIG. 4

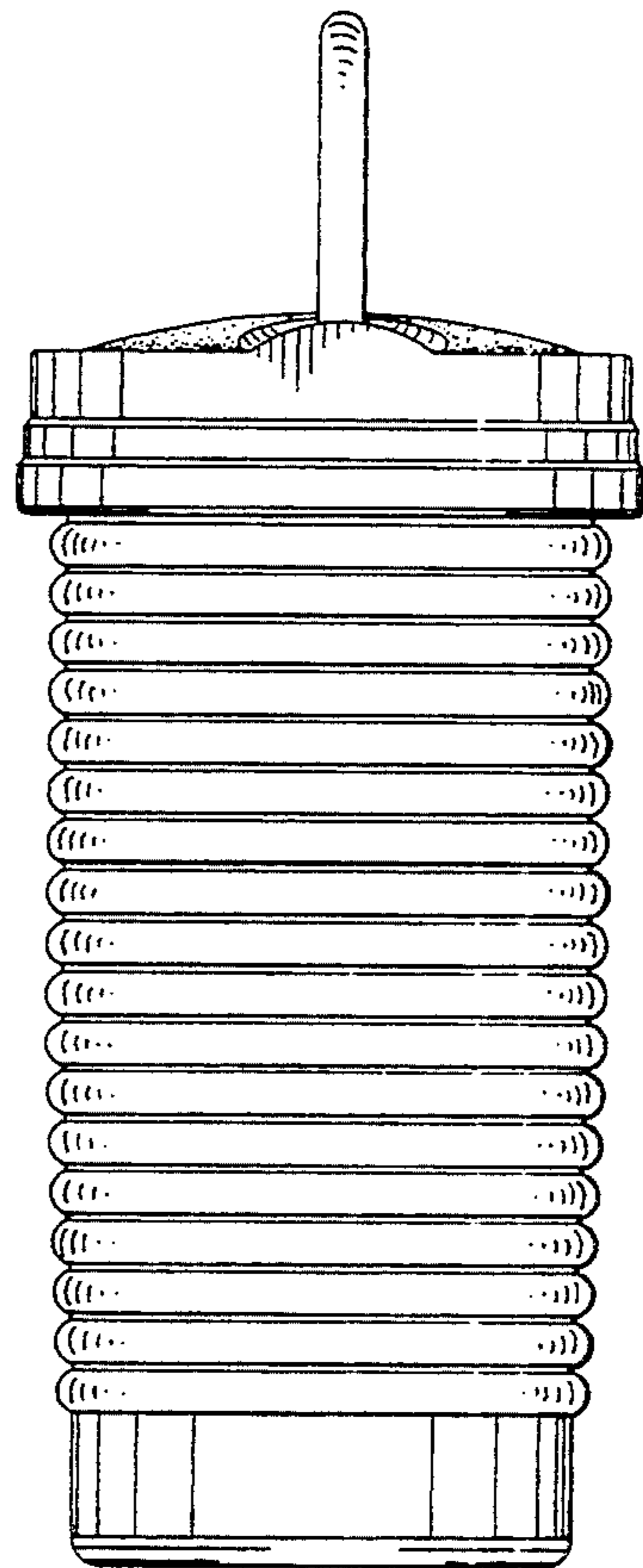


FIG. 5

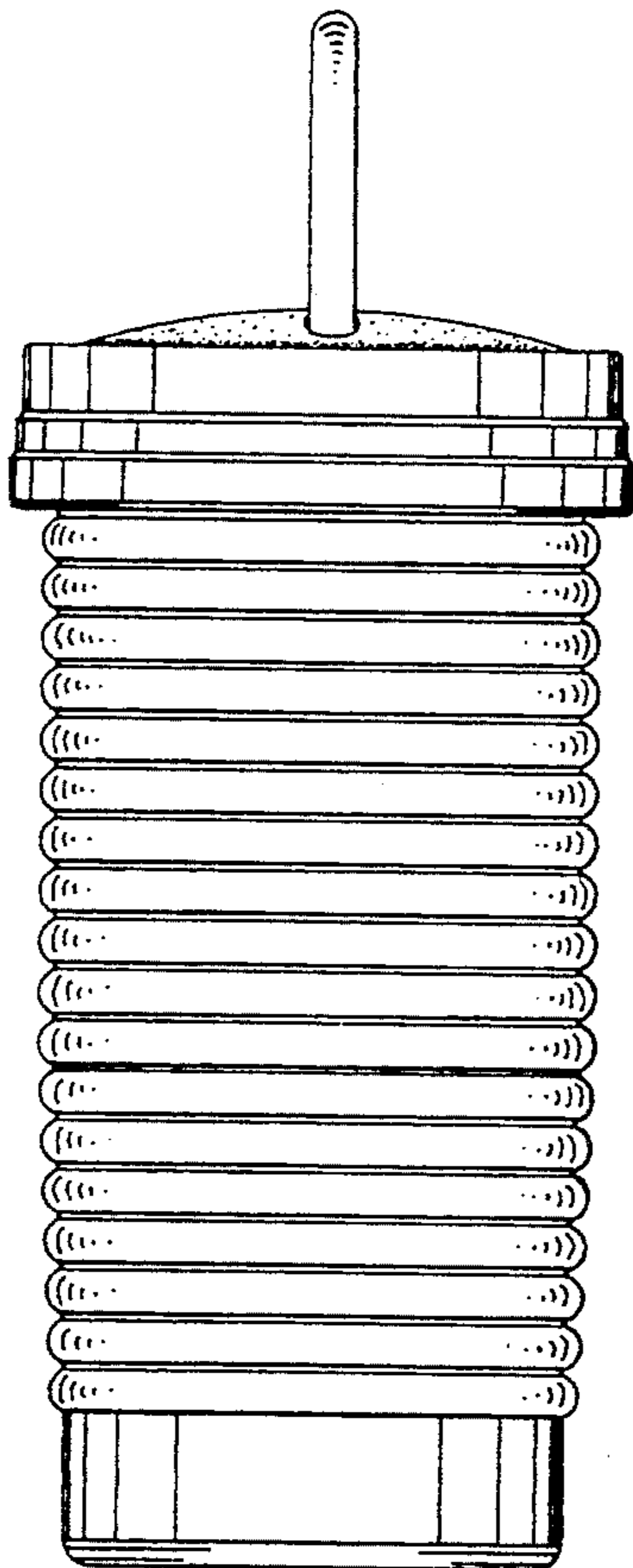


FIG. 6

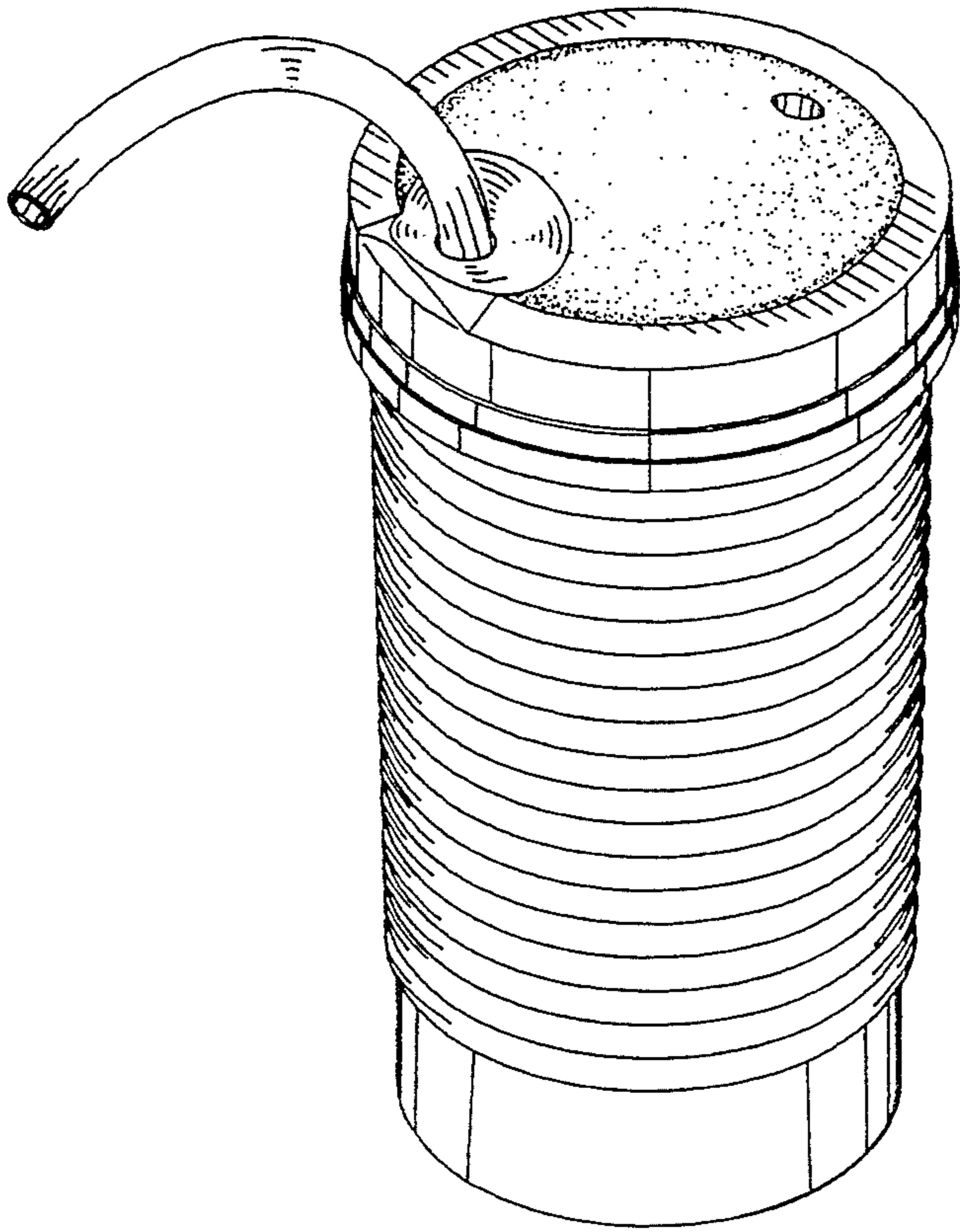


FIG. 7

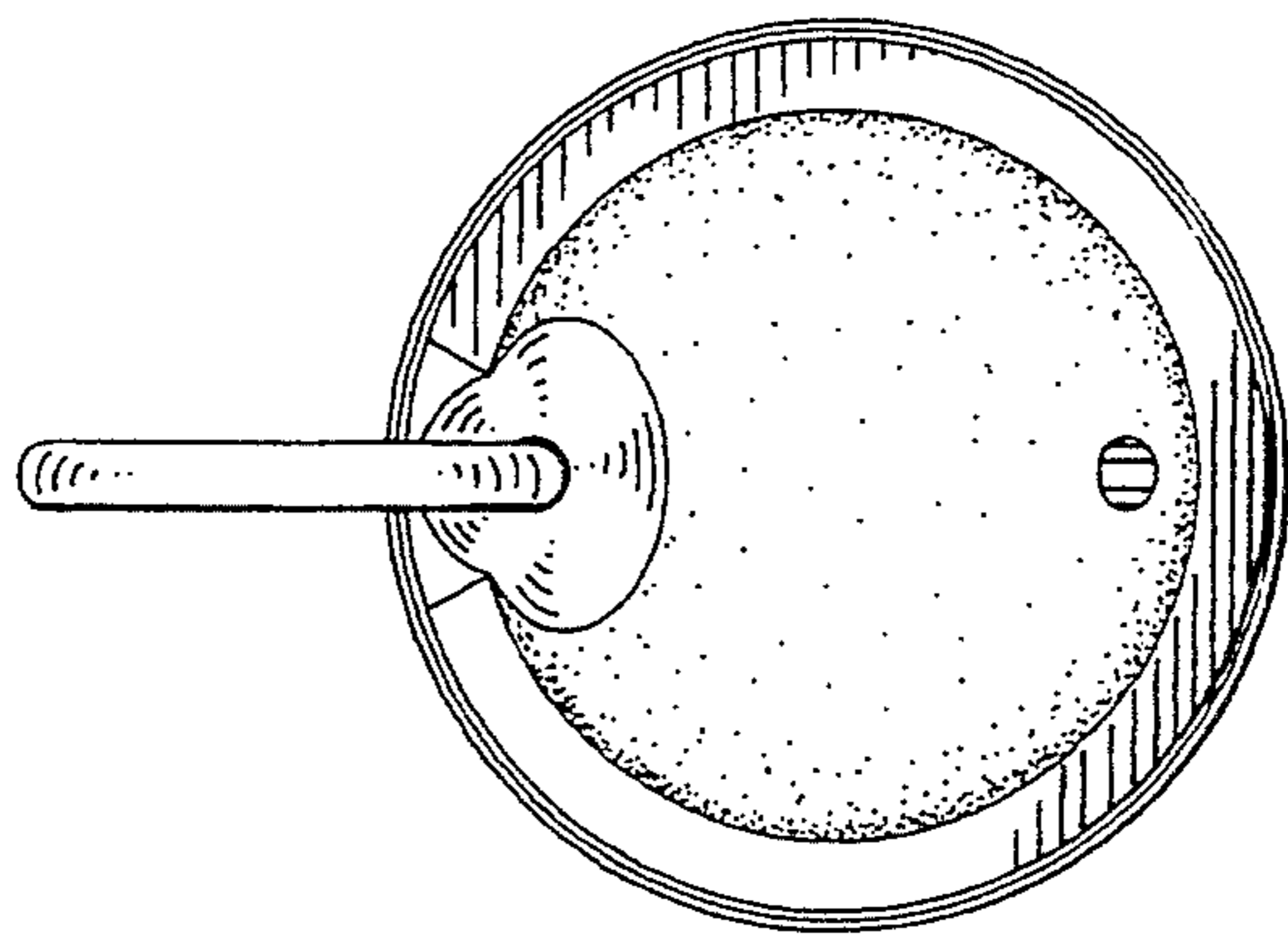


FIG. 8

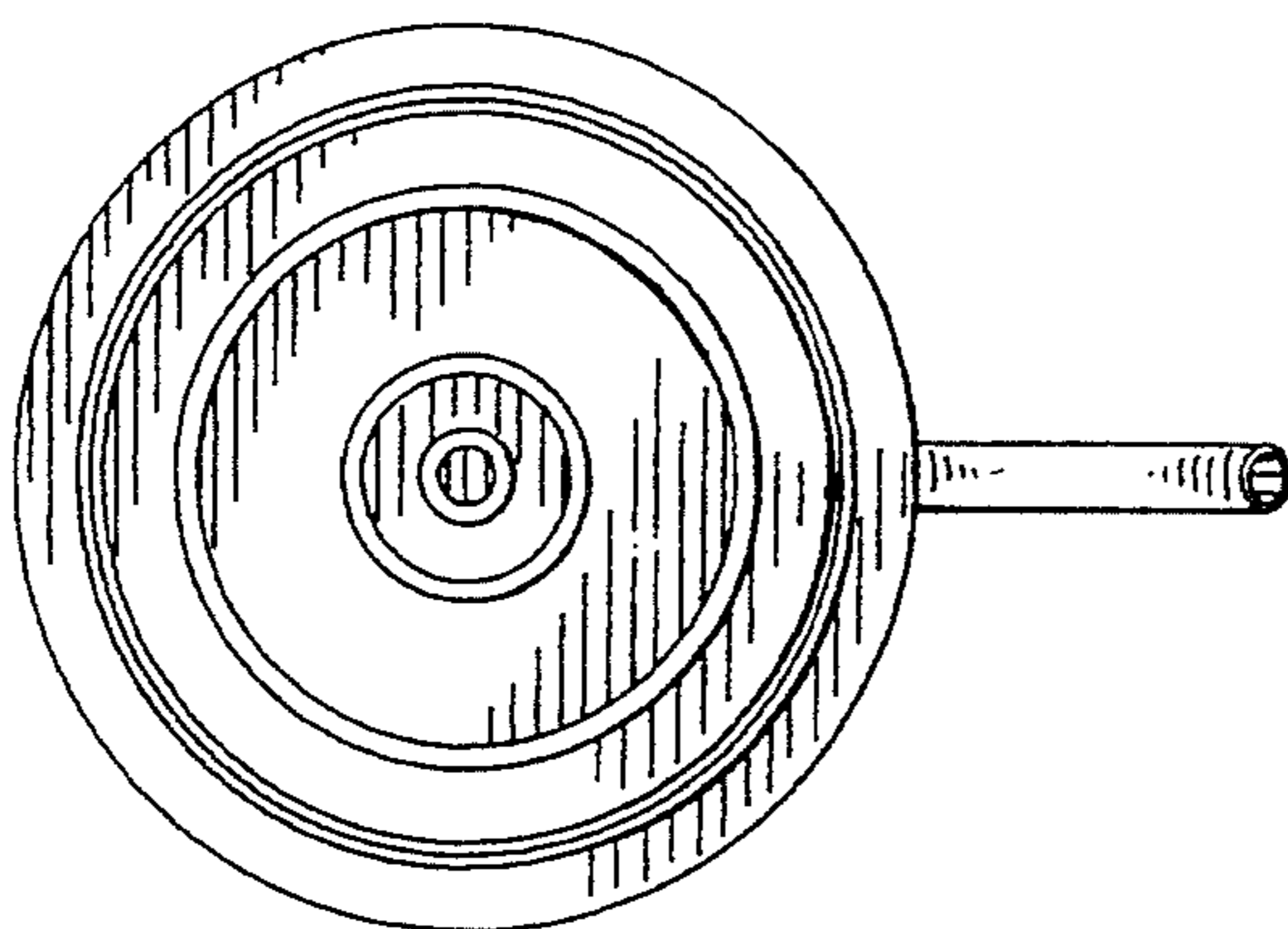


FIG. 9

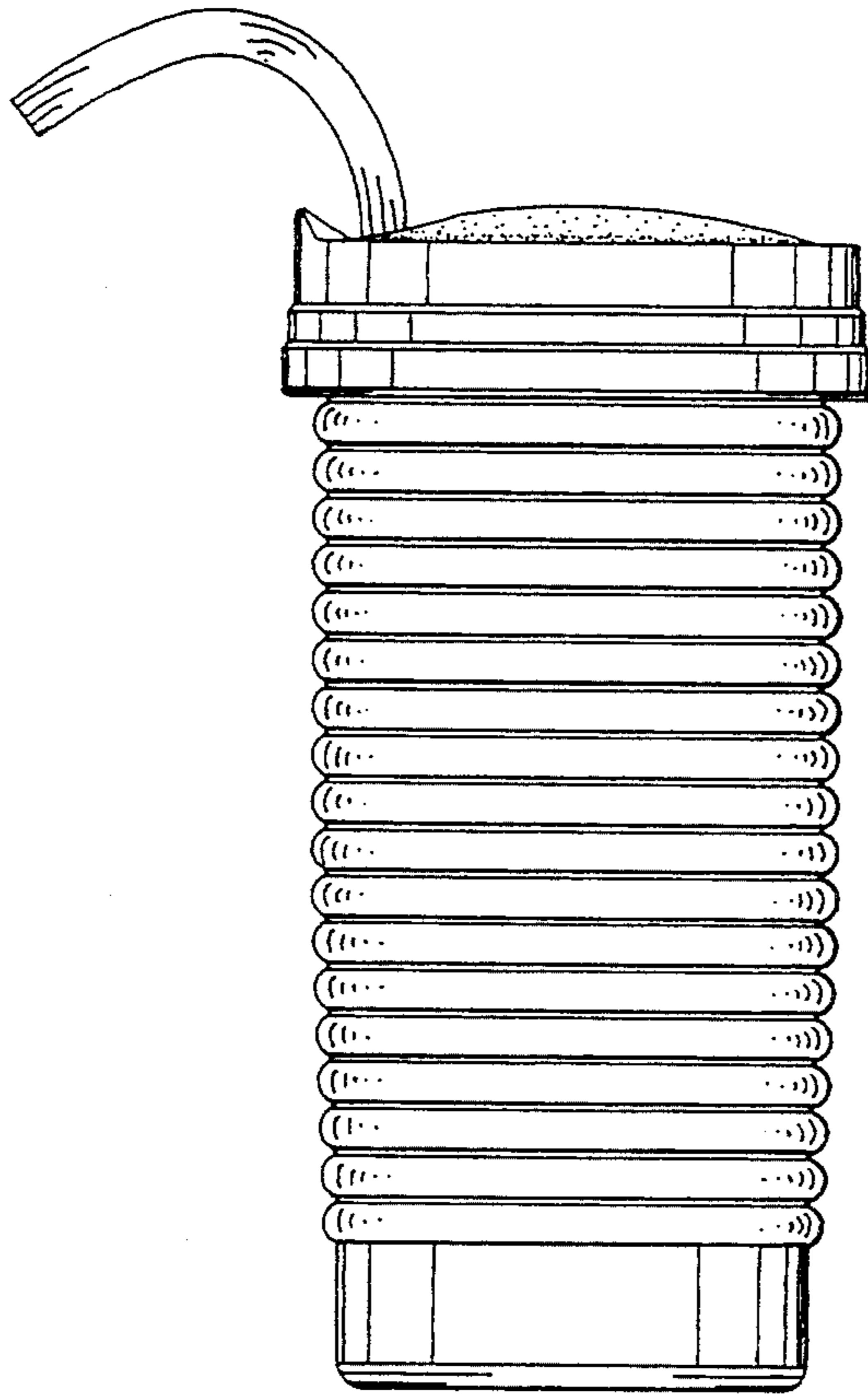


FIG. 10

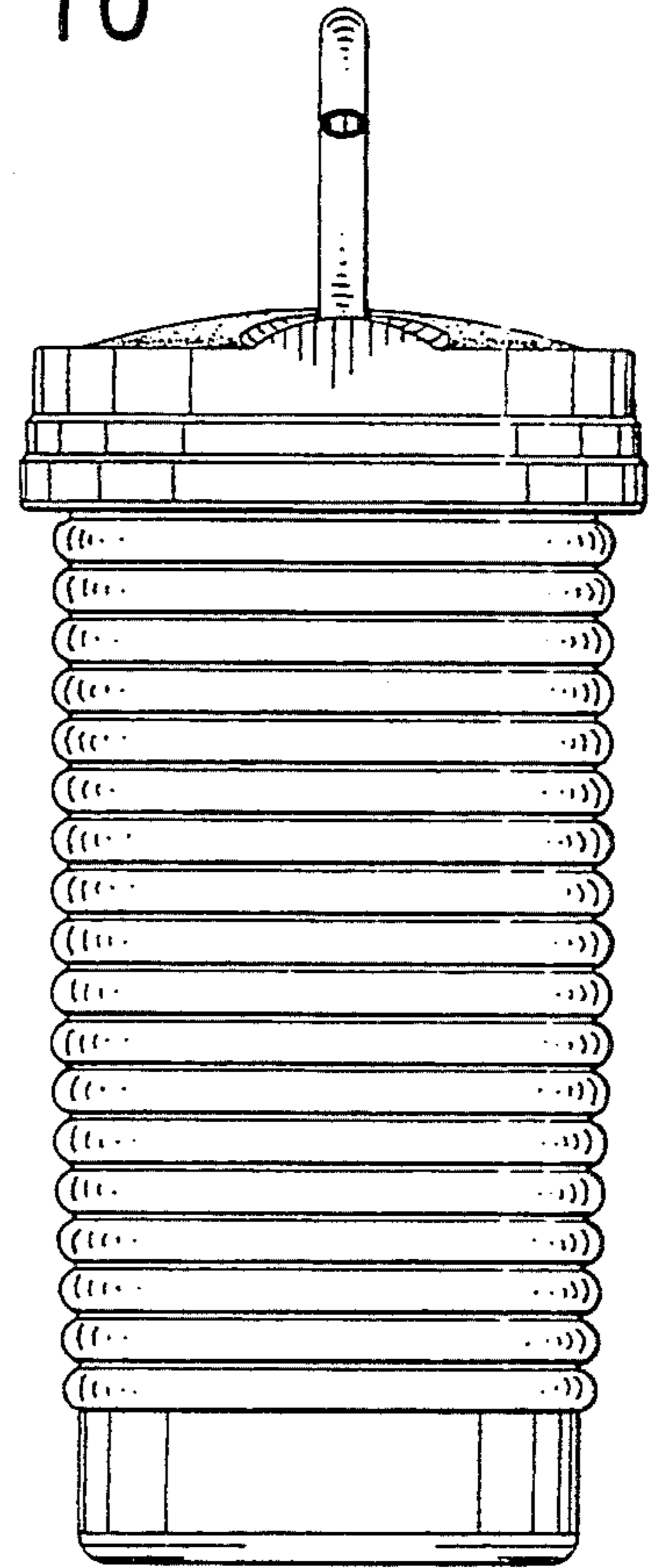


FIG. 11

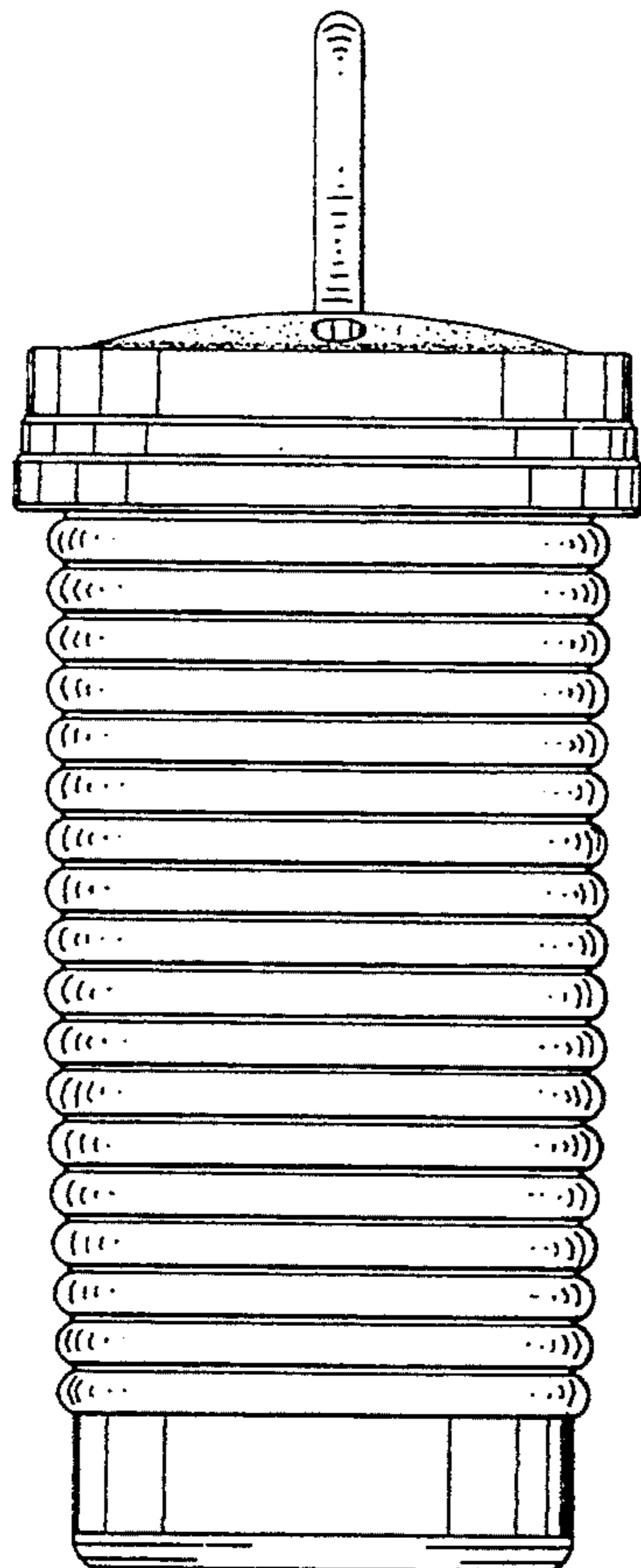


FIG. 12