



US00D359195S

United States Patent [19]

[11] Patent Number: **Des. 359,195**

Mukai et al.

[45] Date of Patent: **** Jun. 13, 1995**

[54] **COFFEE MAKER**

[75] Inventors: **Masayuki Mukai, Osaka; Akinobu Kanza, Hyogo, both of Japan**

[73] Assignee: **Matsushita Electric Industrial Co., Ltd., Osaka, Japan**

[**] Term: **14 Years**

[21] Appl. No.: **14,940**

[22] Filed: **Nov. 4, 1993**

[30] **Foreign Application Priority Data**

May 28, 1993 [JP] Japan 5-15733

[52] U.S. Cl. **D7/309; D7/310; D7/311**

[58] Field of Search **D7/300, 305, 306, 307, D7/308, 309, 310, 311, 312; 99/280, 282, 281, 293, 452, 323.1, 453**

[56] **References Cited**

U.S. PATENT DOCUMENTS

- D. 288,517 3/1987 Kahlcke D7/309
- D. 288,885 3/1987 Kahlcke D7/309
- D. 310,613 9/1990 Wu D7/309
- D. 316,004 4/1991 Eugster D7/309
- D. 327,601 7/1992 Betron et al. D7/307
- D. 339,711 9/1993 Precht et al. D7/309 X

- D. 345,881 4/1994 Maass D7/309
- D. 345,882 12/1994 Maass D7/310 X
- D. 345,883 12/1994 Maass D7/309
- D. 346,298 4/1994 Brady et al. D7/310 X
- D. 347,961 6/1994 Betron D7/311 X

OTHER PUBLICATIONS

Braun Coffee Maker, Housewares p. 23 Feb. 21-27, 1986.

Leaflet on the BOSCH Model TKA 1750US Coffee Maker, published Feb. 1993.

Primary Examiner—Alan P. Douglas

Assistant Examiner—M. N. Pandozzi

Attorney, Agent, or Firm—Sughrue, Mion, Zinn, Macpeak & Seas

[57] **CLAIM**

The ornamental design for a coffee maker, as shown.

DESCRIPTION

FIG. 1 is a front, top and left side perspective view of a coffee maker showing our new design;
 FIG. 2 is a front elevational view thereof;
 FIG. 3 is a right side elevational view thereof;
 FIG. 4 is a top plan view thereof;
 FIG. 5 is a bottom plan view thereof;
 FIG. 6 is a rear elevational view thereof; and,
 FIG. 7 is a left side elevational view thereof.

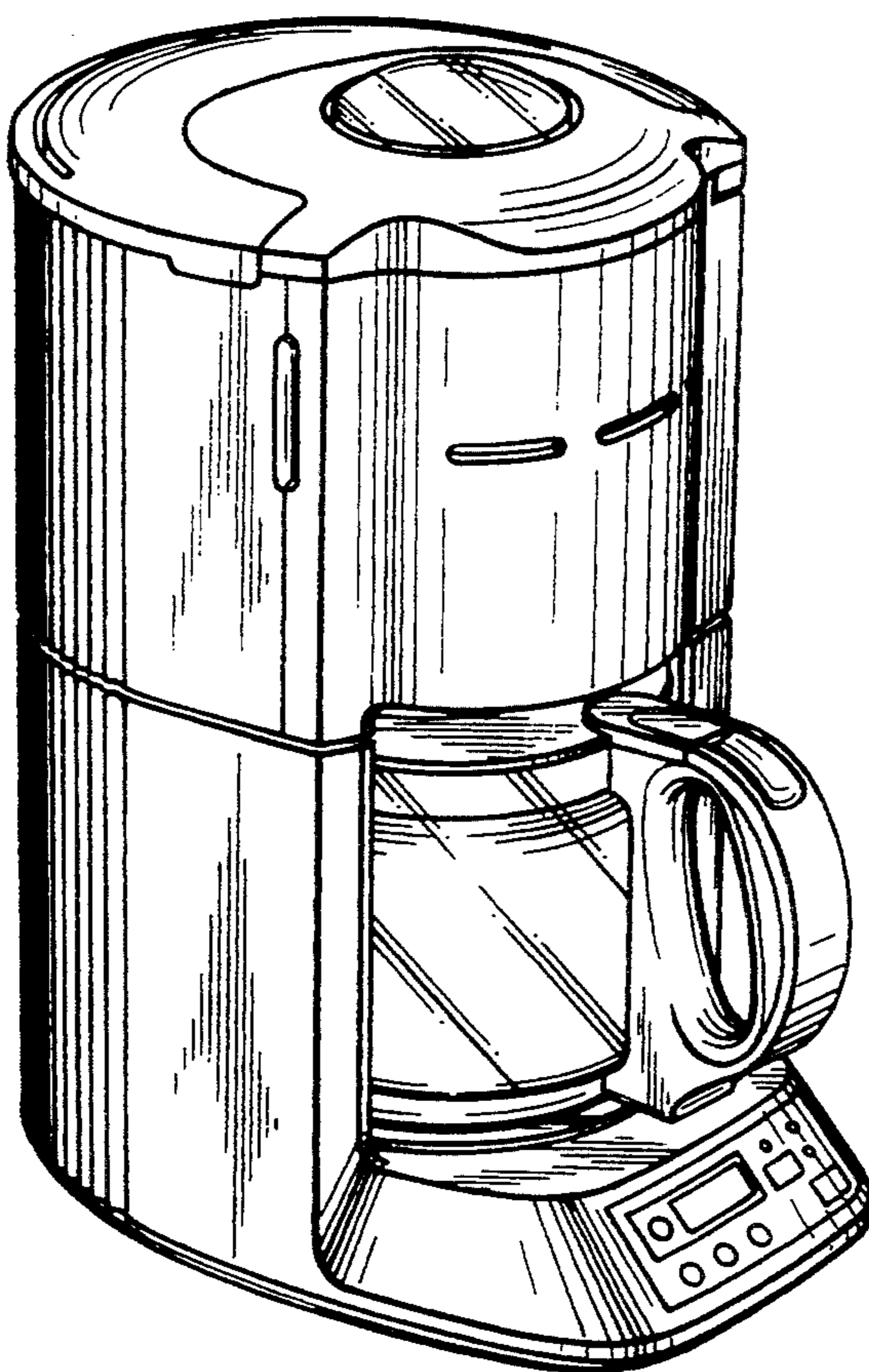


FIG. 2

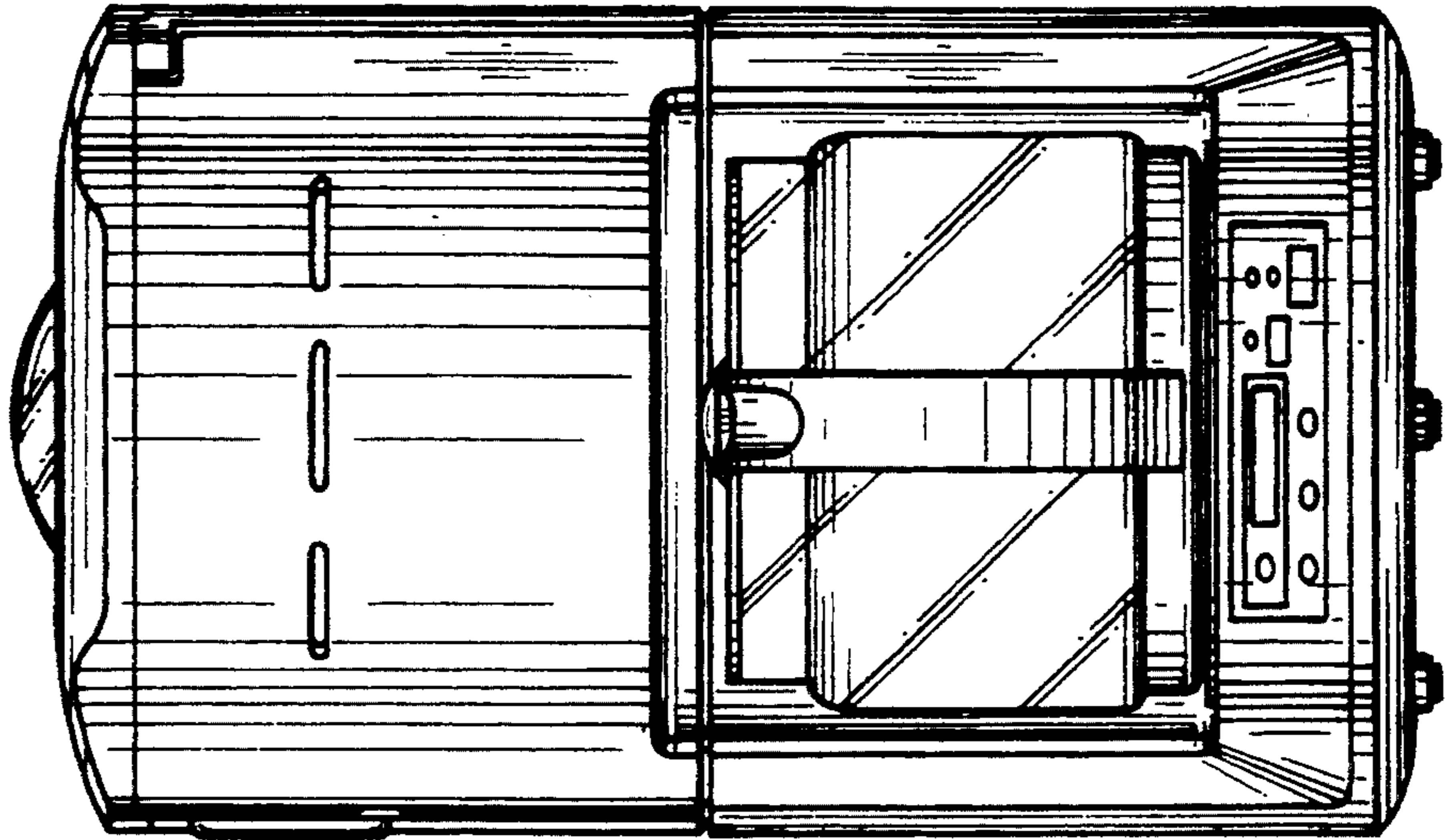


FIG. 1

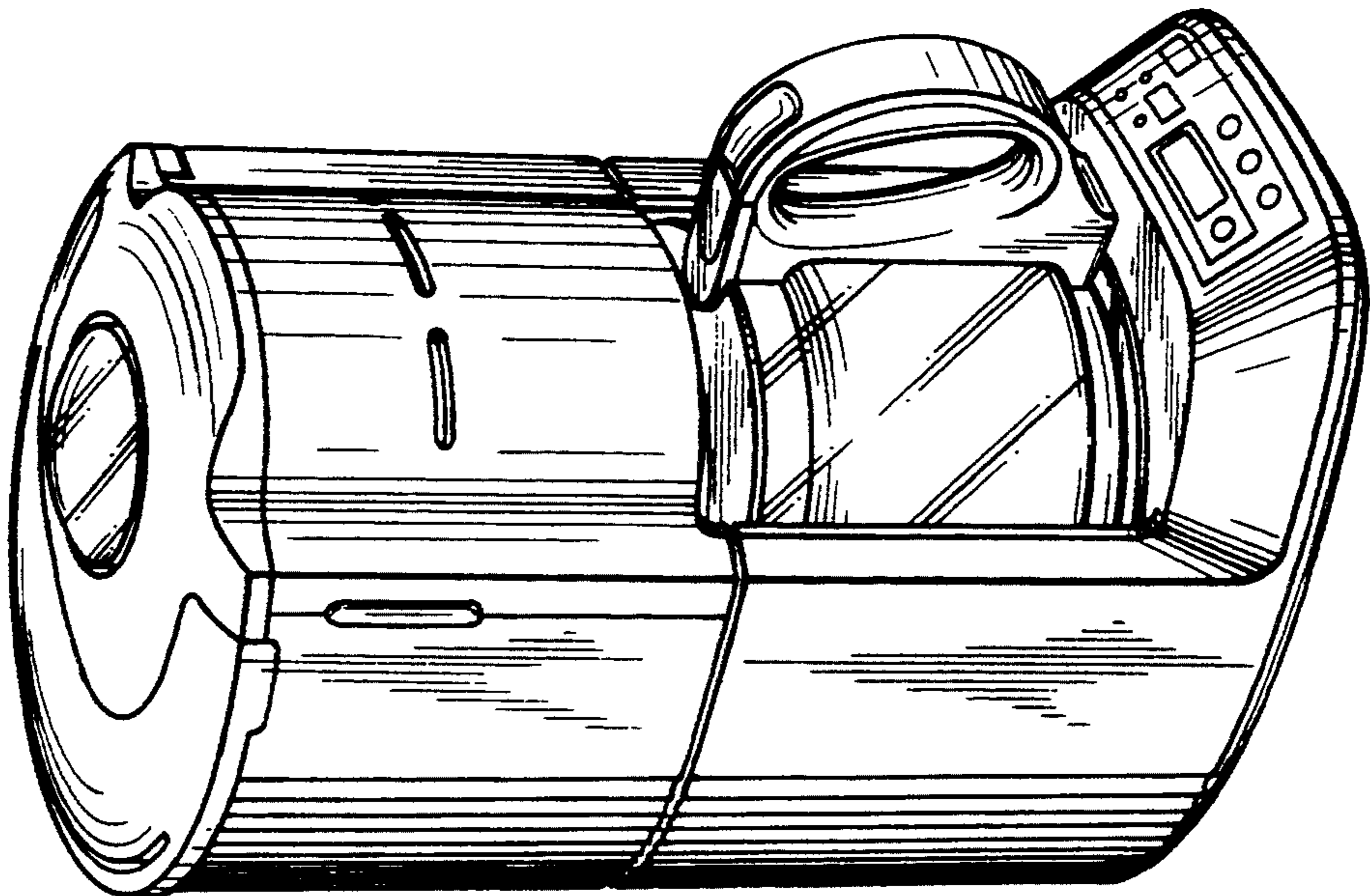


FIG. 3

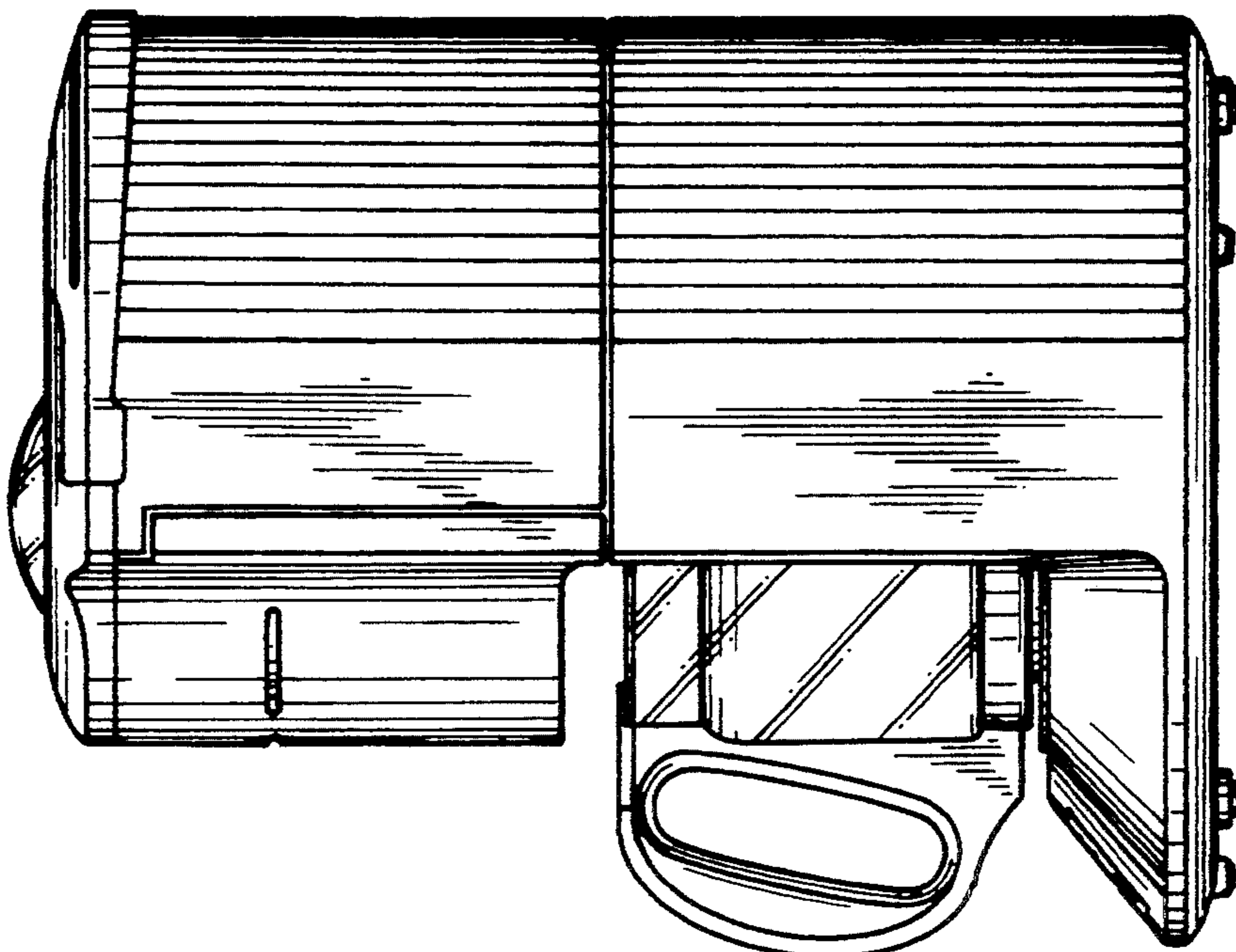


FIG. 4

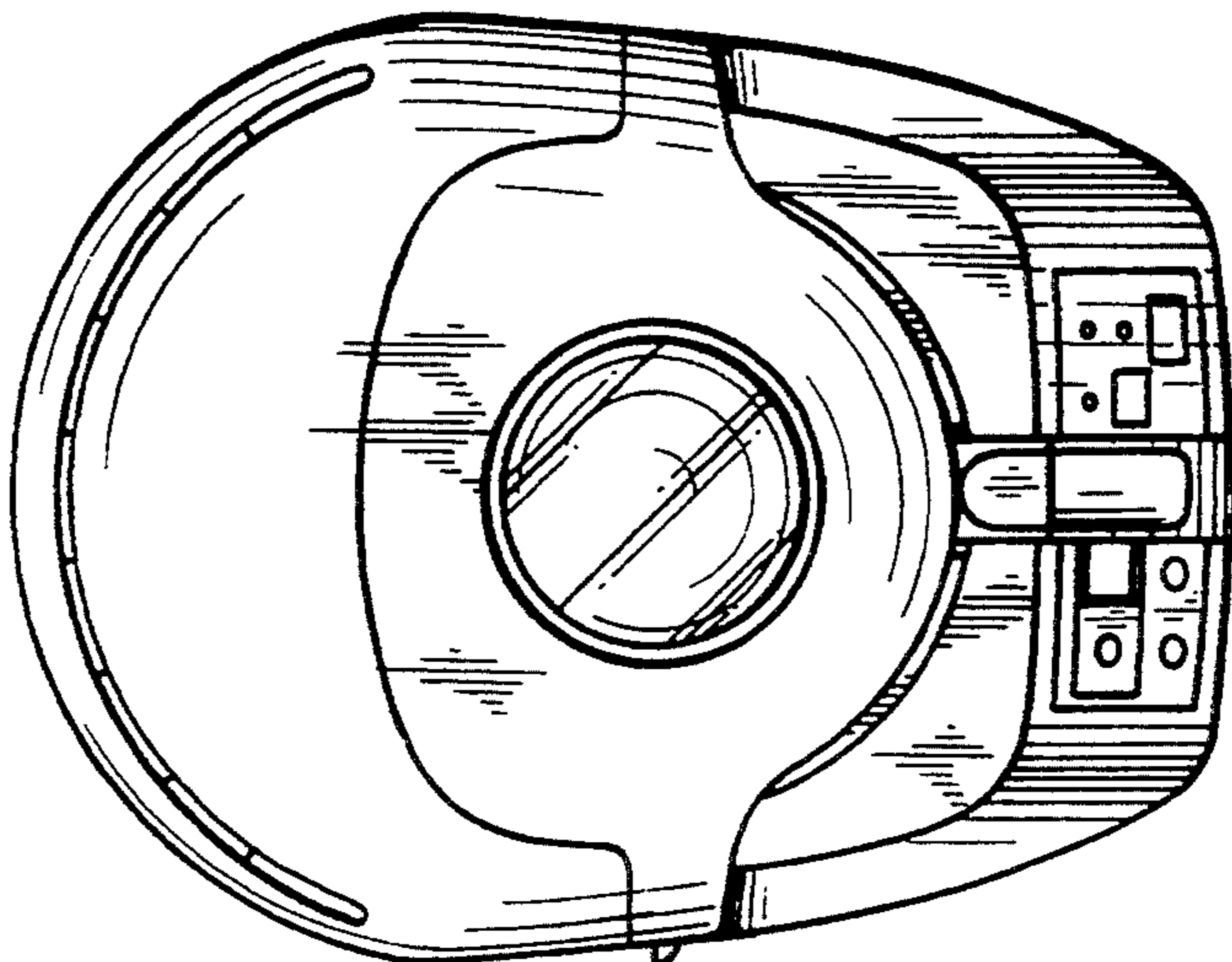


FIG. 5

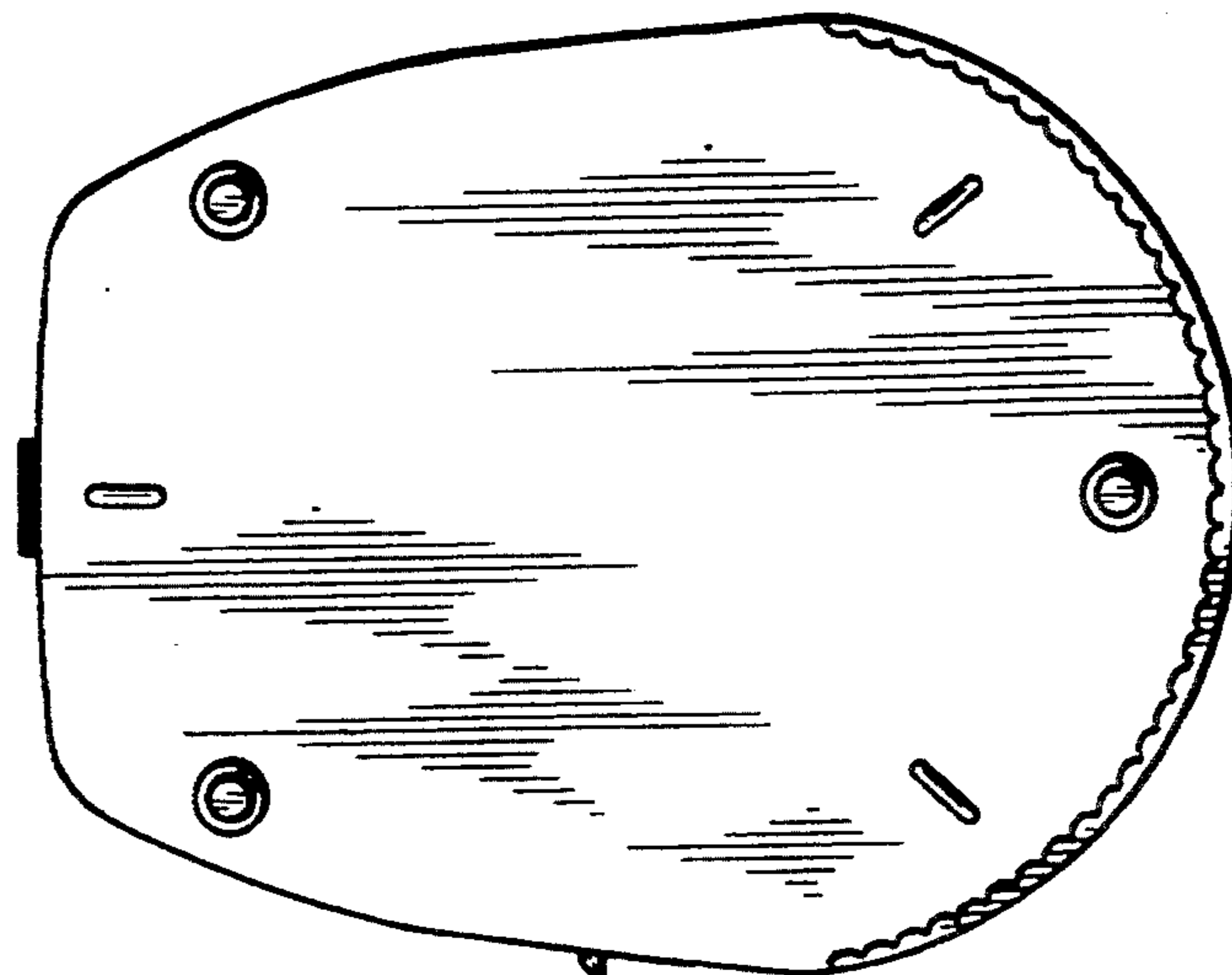


FIG. 7

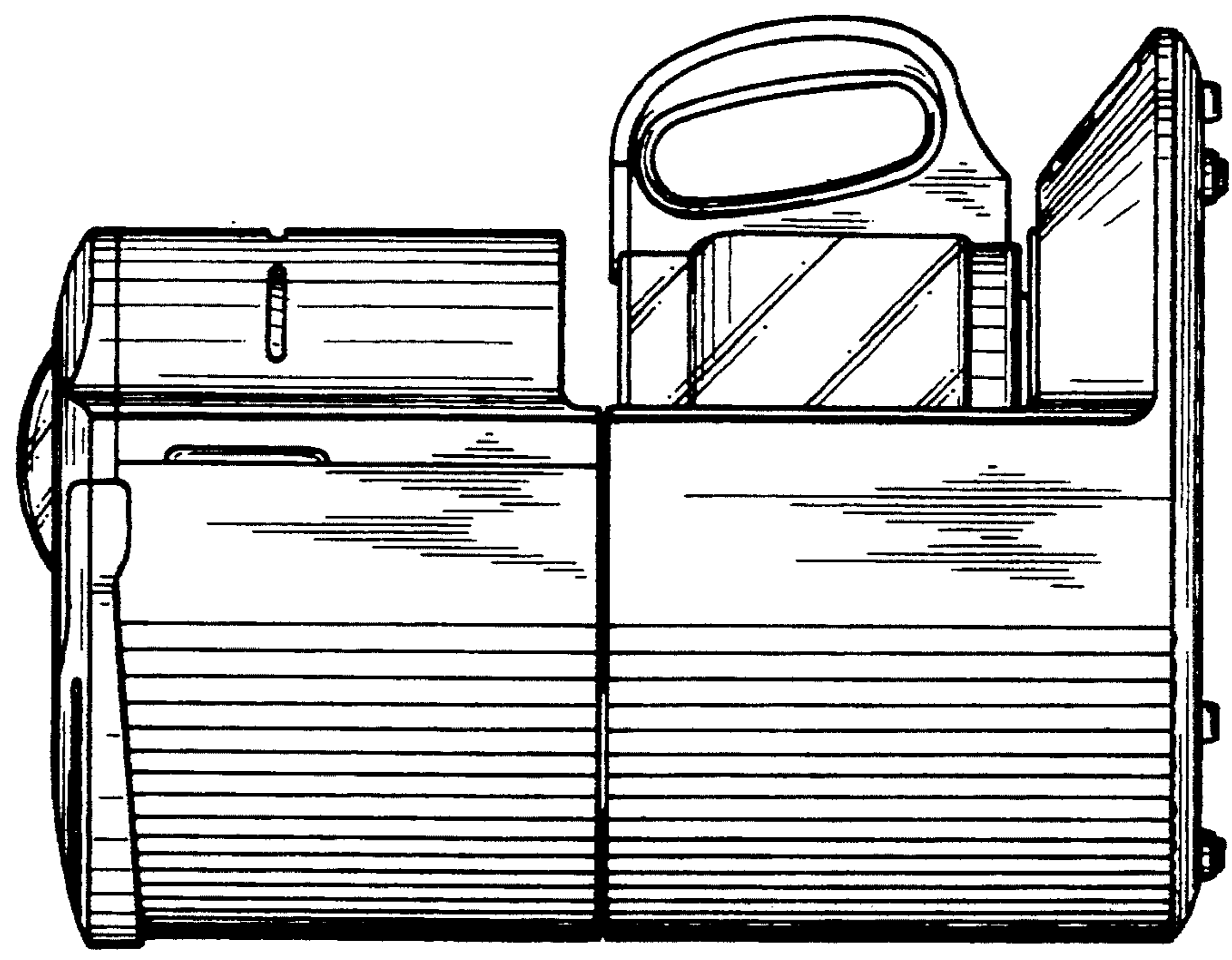


FIG. 6

