



US00D359193S

United States Patent [19]

[11] Patent Number: **Des. 359,193**

Minter

[45] Date of Patent: **** Jun. 13, 1995**

[54] **COMBINATION STORAGE TRAY AND CASE FOR COMPACT DISCS**

5,232,093 8/1993 Hashizume et al. 206/387
5,295,577 3/1994 Minter 206/444

[76] Inventor: **Theodore M. Minter, 3887 Martin Luther King Dr., Cleveland, Ohio 44105**

FOREIGN PATENT DOCUMENTS

911192 7/1946 France 206/309

[**] Term: **14 Years**

Primary Examiner—C. A. Murphy
Attorney, Agent, or Firm—David A. Burge

[21] Appl. No.: **6,403**

[57] **CLAIM**

[22] Filed: **Mar. 26, 1993**

The ornamental design for a combination storage tray and case for compact discs, as shown and described.

[52] U.S. Cl. **D6/631; D6/626; D6/629; D6/630; D6/634**

DESCRIPTION

[58] **Field of Search** D3/201, 206; D6/407, D6/408, 626, 629, 630, 631, 632, 634, 635; D19/75, 76; 206/45.13, 1.8, 1.9, 387, 444, 445, 450, 473, 485, 486, 309, 310, 311, 312, 45.23; 402/74, 75

FIG. 1 is a perspective view of a combination storage tray and case for compact discs showing my new design;

FIG. 2 is a top plan view thereof;

FIG. 3 is a bottom plan view thereof;

FIG. 4 is a left side elevational view thereof;

FIG. 5 is a right side elevational view thereof;

FIG. 6 is a rear elevational view thereof;

FIG. 7 is a front elevational view thereof;

FIG. 8 is an exploded perspective view thereof;

FIG. 9 is a perspective view thereof, the pivotal pins shown in alternate positions;

FIG. 10 is a top plan view of FIG. 9;

FIG. 11 is a perspective view of FIG. 1, the CD holders being shown slightly pivoted;

FIG. 12 is a perspective view of FIG. 9, the CD holders being shown slightly pivoted;

FIG. 13 is a perspective view of an alternate embodiment of the design shown in FIG. 1;

FIG. 14 is a top plan view of FIG. 13;

FIG. 15 is a bottom plan view of FIG. 13;

FIG. 16 is a right side elevational view of FIG. 13;

FIG. 17 is a left side elevational view of FIG. 13;

FIG. 18 is a rear elevational view of FIG. 13;

FIG. 19 is a front elevational view of FIG. 13;

FIG. 20 is a perspective view of FIG. 13, the CD holders being shown slightly pivoted;

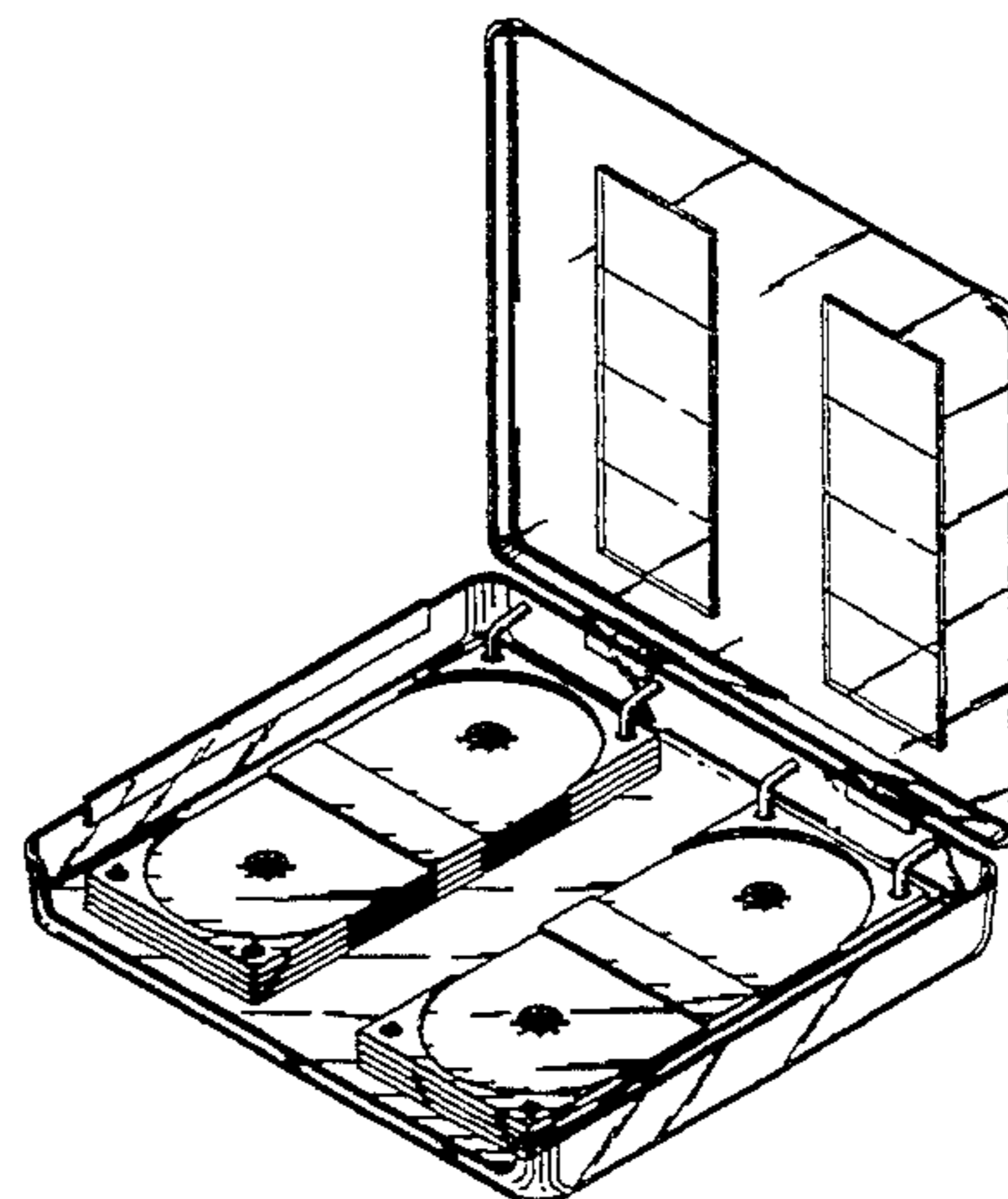
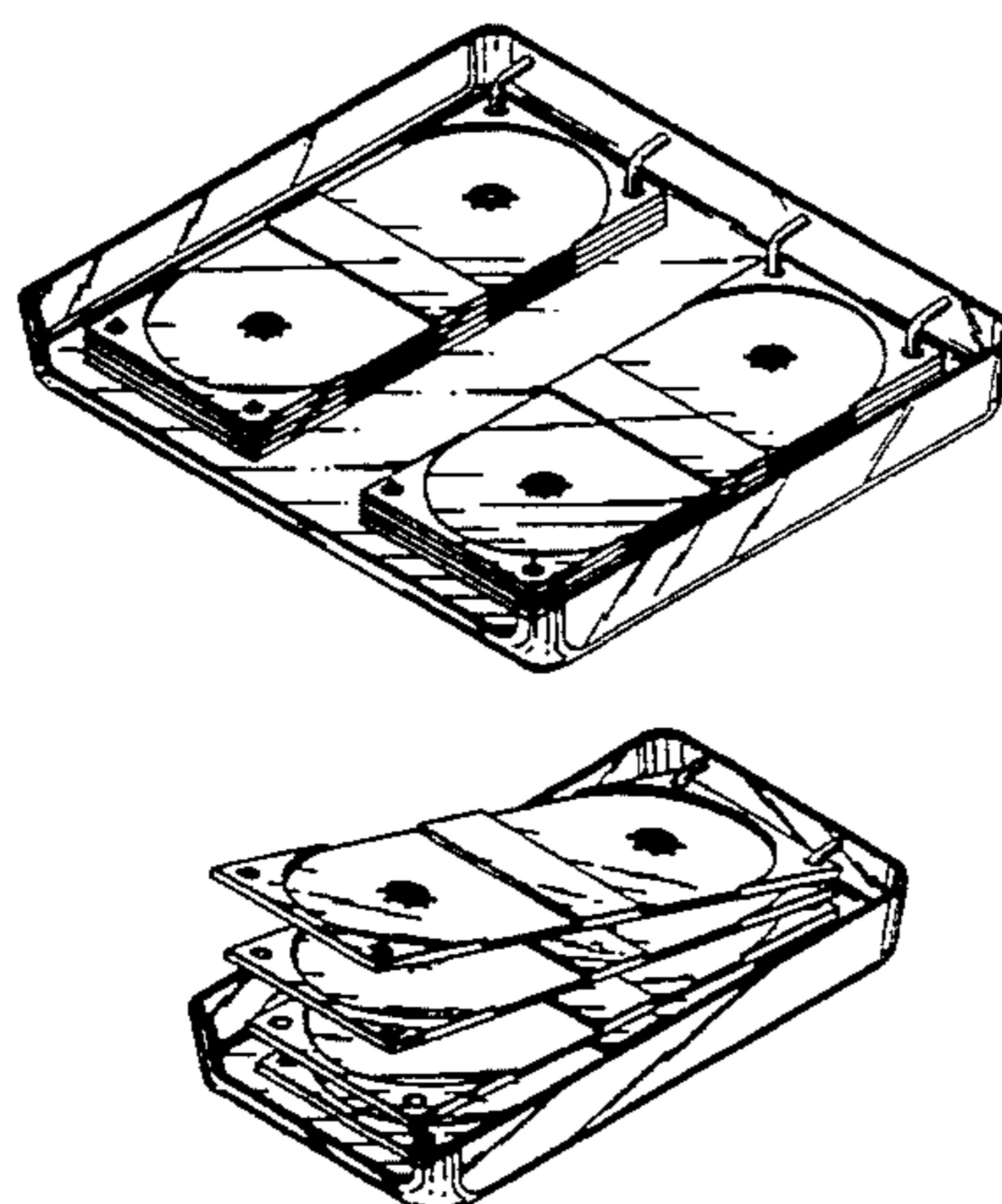
FIG. 21 is a perspective view of FIG. 13, the pivotal pins shown in alternate positions and the CD holders shown slightly pivoted;

FIG. 22 is a perspective view of FIG. 13, the pivotal

[56] References Cited

U.S. PATENT DOCUMENTS

D. 231,641	5/1974	Christiansen	D6/629
D. 258,027	1/1981	Rache et al.	D6/634
D. 273,796	5/1984	Milden	D6/635
D. 284,621	7/1986	Swinney	D6/634
D. 288,982	3/1987	Talopp	D6/407
D. 342,379	12/1993	Taniyama	D6/634
D. 346,403	4/1994	Ros	D19/75
D. 346,404	4/1994	Ros	D19/75
1,287,842	12/1918	Betts	402/77
1,303,299	5/1919	Hahl	206/309
1,336,293	4/1920	Grammich	206/309
3,109,539	11/1963	Turoff	206/309
3,544,134	12/1970	Sibley	402/74
4,219,951	9/1980	Schmidt	402/75
4,449,628	5/1984	Egly et al.	206/444
4,518,275	5/1985	Rauch, III et al.	206/387
4,538,730	9/1985	Wu	206/444
4,588,321	5/1986	Egly	402/77
4,676,374	6/1987	Wilkins	206/444
4,676,375	6/1987	Willems et al.	206/45.23
4,702,369	10/1987	Philosophe	206/312
4,750,611	6/1988	Morrone	206/45
4,778,047	10/1988	Lay	206/44
4,793,479	12/1988	Otsuka et al.	206/310
4,850,731	7/1989	Youngs	402/79
5,161,907	11/1992	Byrne	402/4
5,165,541	11/1992	Morita	206/387
5,209,593	5/1993	Ros	402/77



Des. 359,193

Page 2

pins shown in alternate positions and the CD holders shown slightly pivoted;

FIG. 23 is a perspective view of a second embodiment of the design shown in FIG. 1;

FIG. 24 is a front elevational view of FIG. 23, the lid shown in a closed position;

FIG. 25 is a perspective view of a third embodiment of the design shown in FIG. 1;

FIG. 26 is a right side elevational view of FIG. 25;

FIG. 27 is a rear elevational view of FIG. 23, the lid shown in a closed position; and,

FIG. 28 is a rear elevational view of FIG. 25, the lid shown in a closed position.

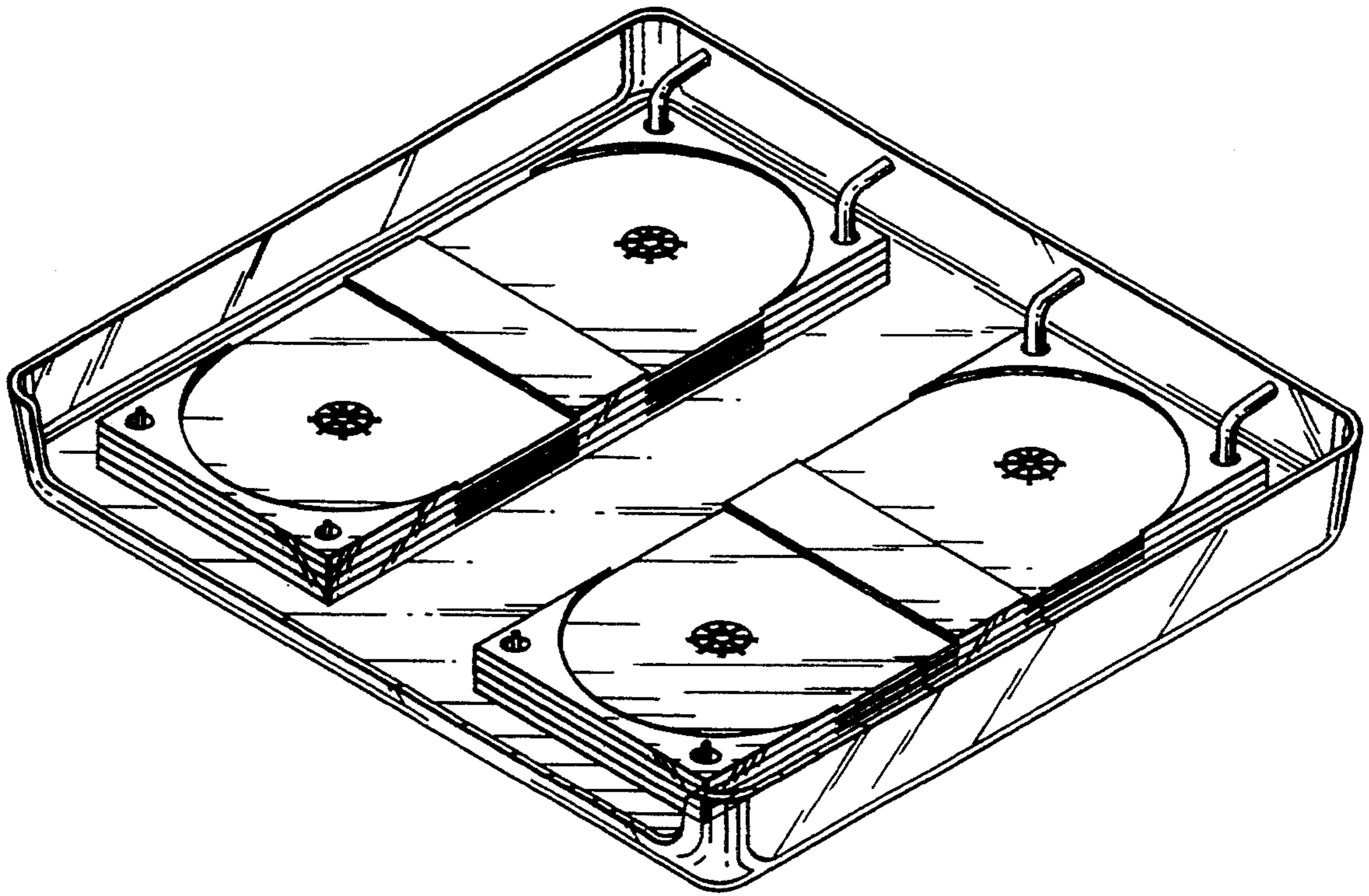


FIG. 1

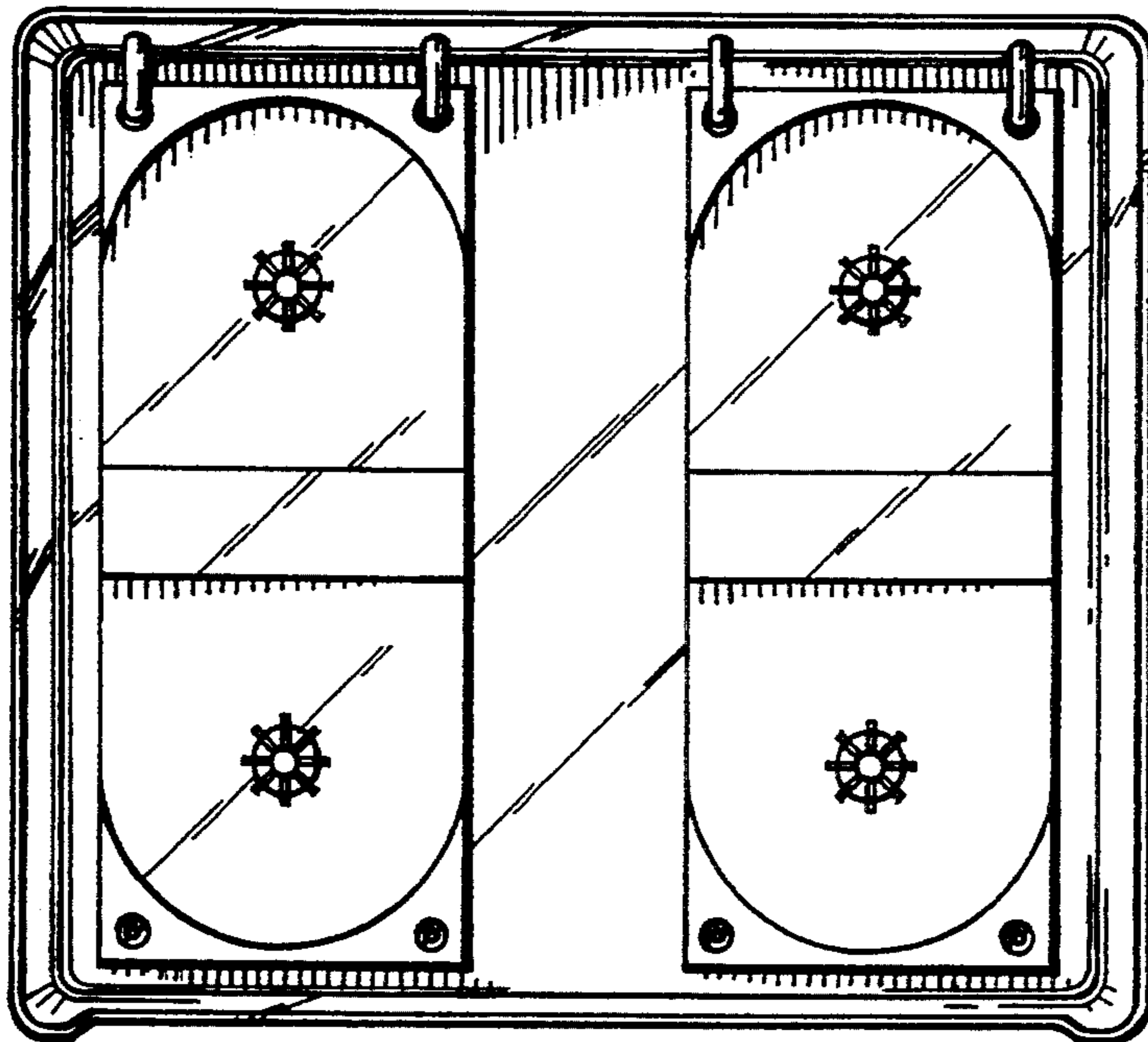


FIG. 2

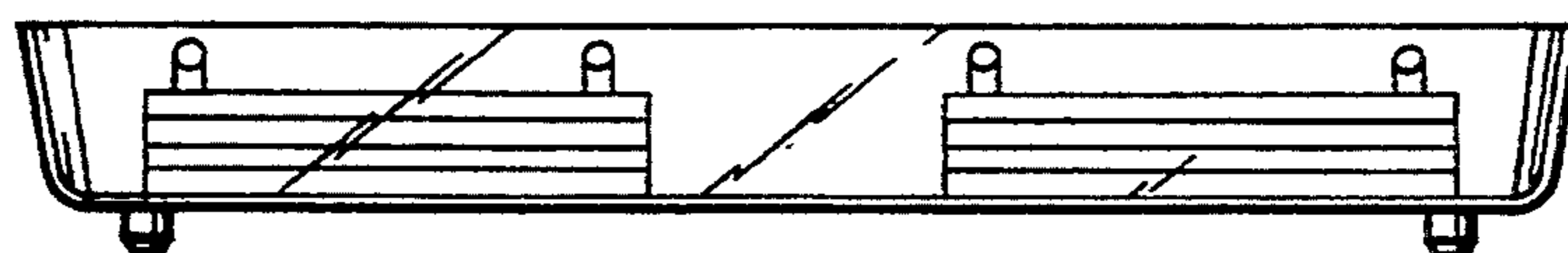


FIG. 6

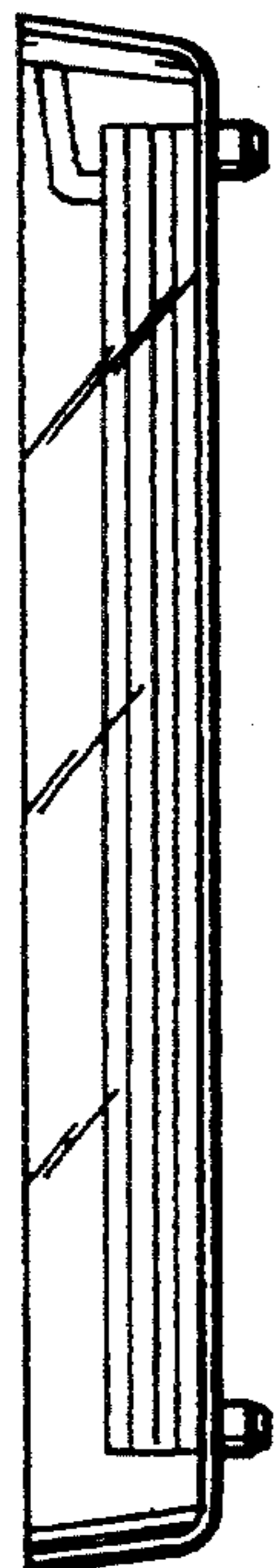


FIG. 4

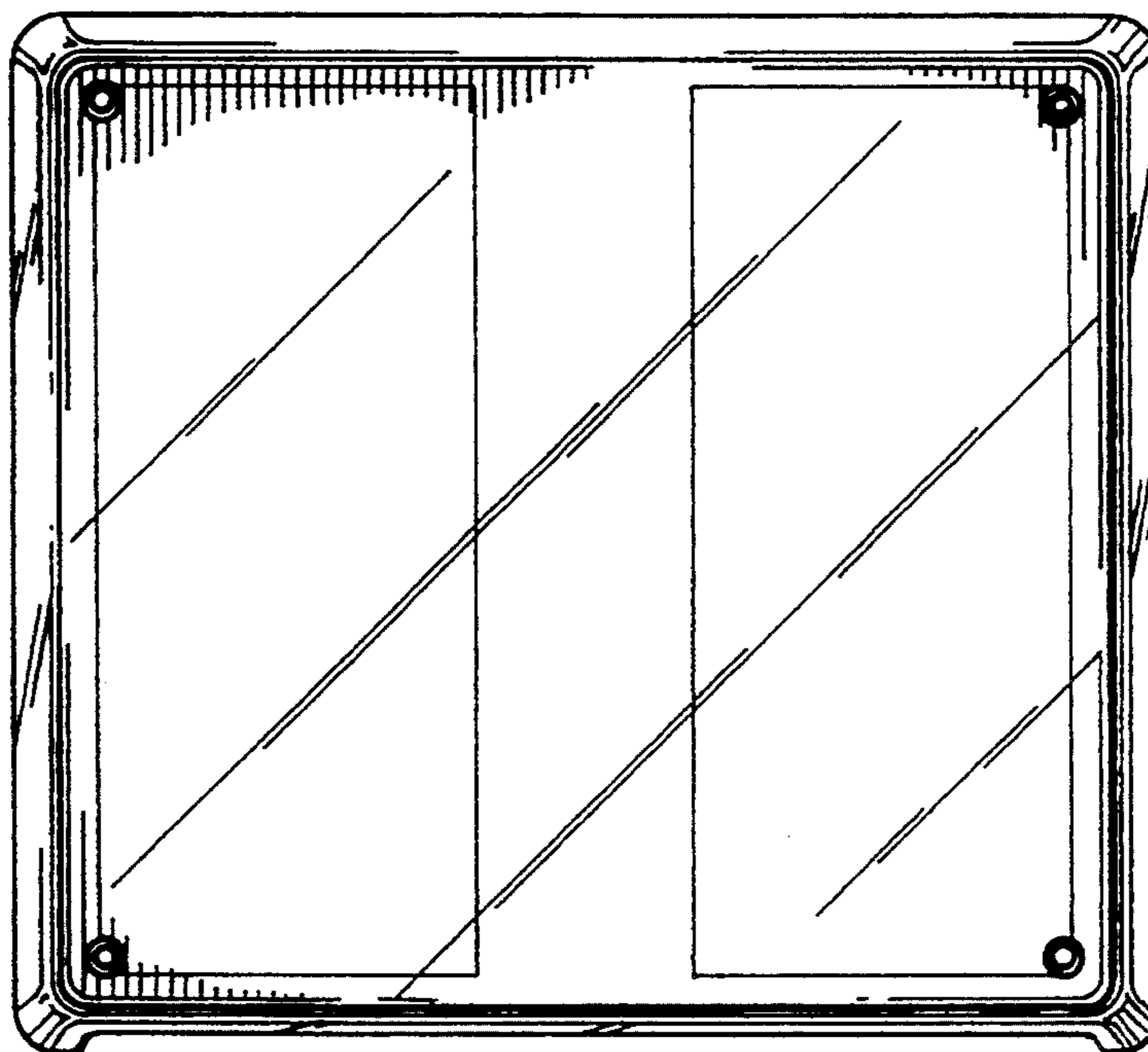


FIG. 3



FIG. 5

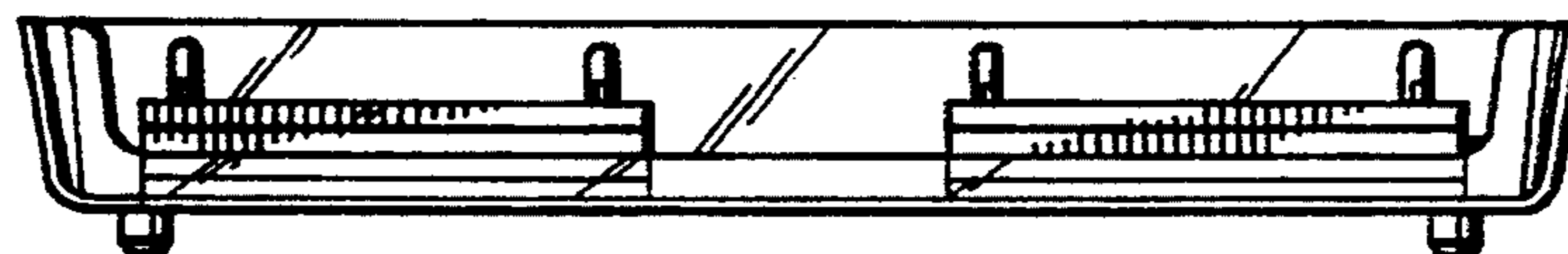


FIG. 7

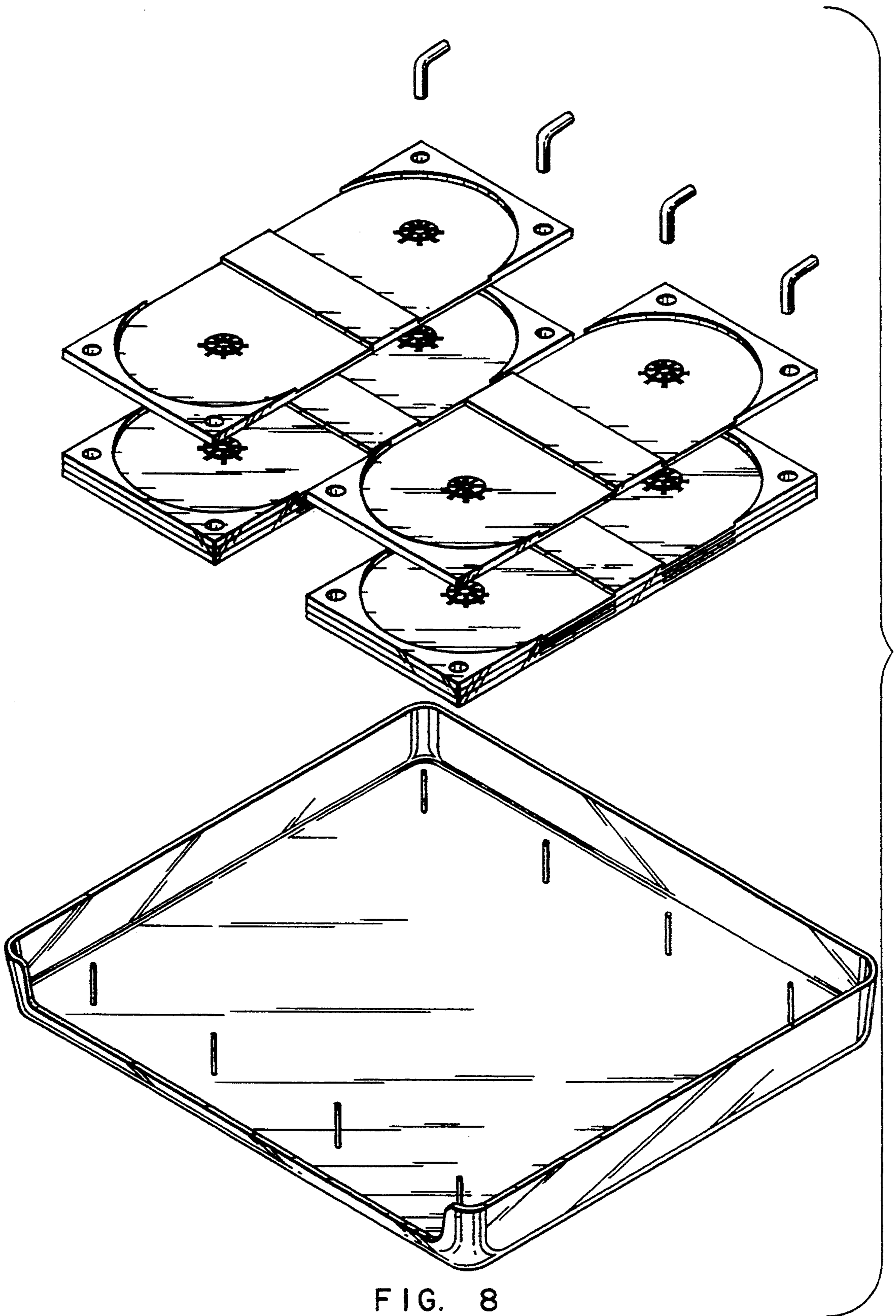


FIG. 8

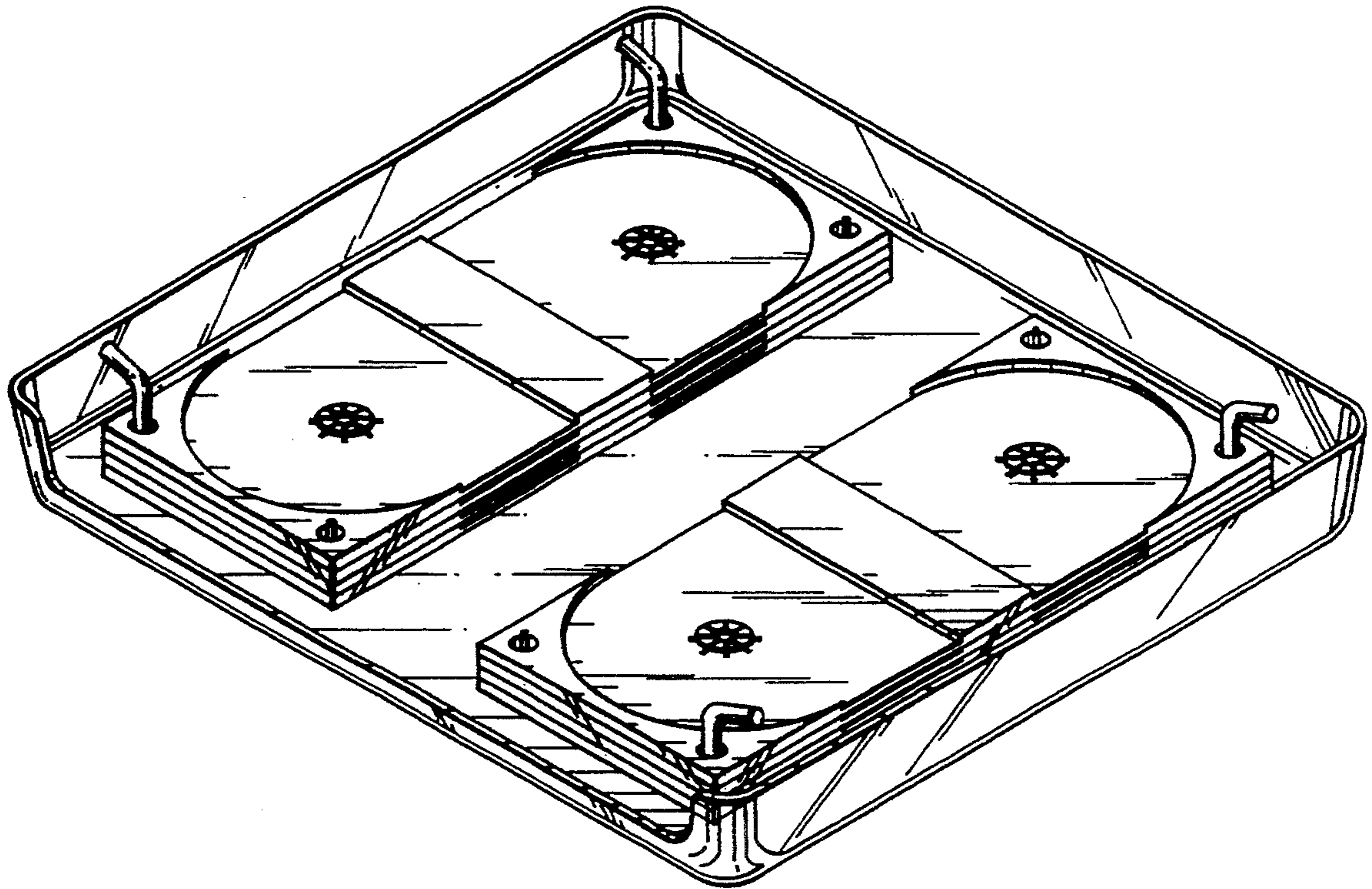


FIG. 9

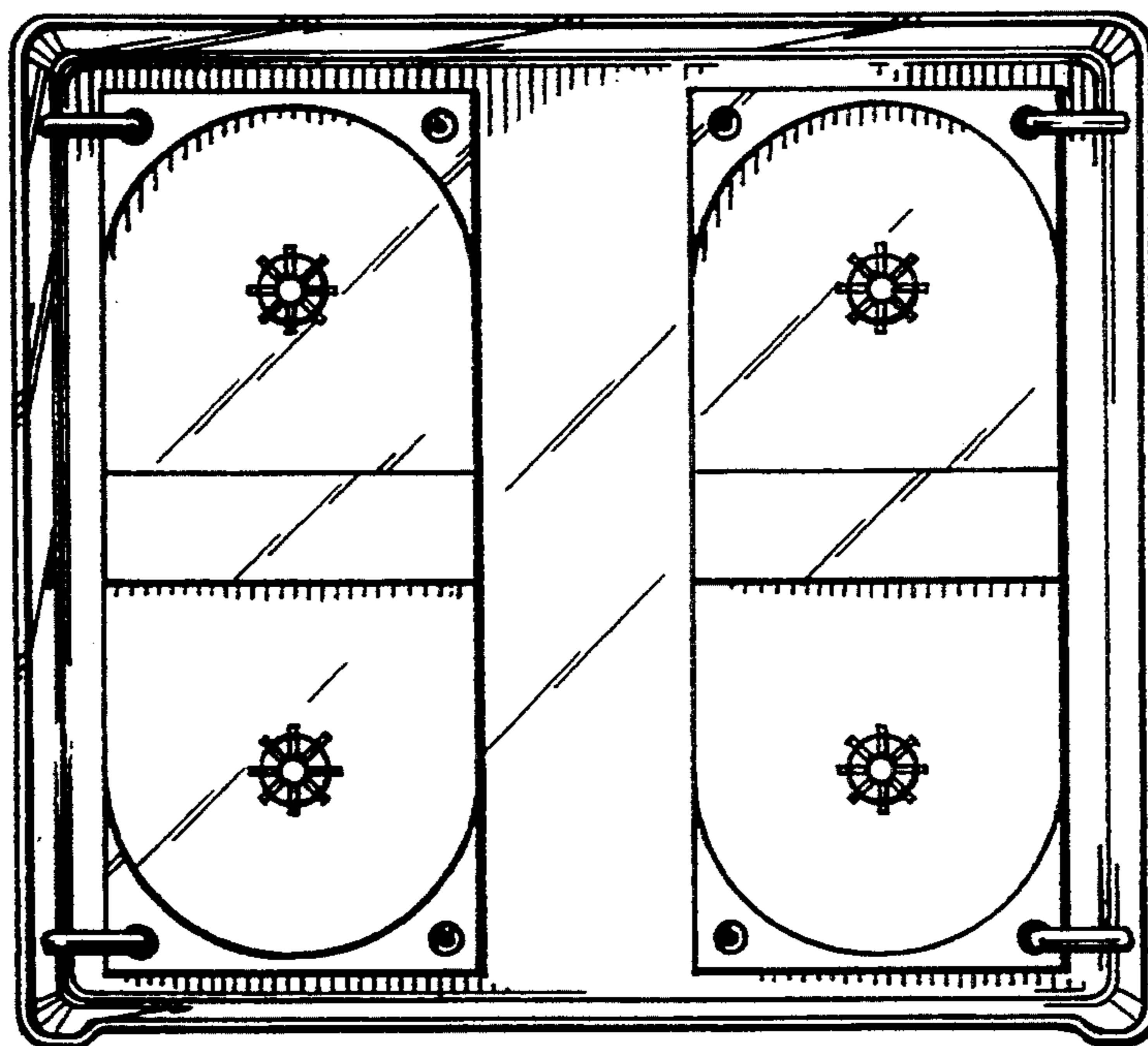


FIG. 10

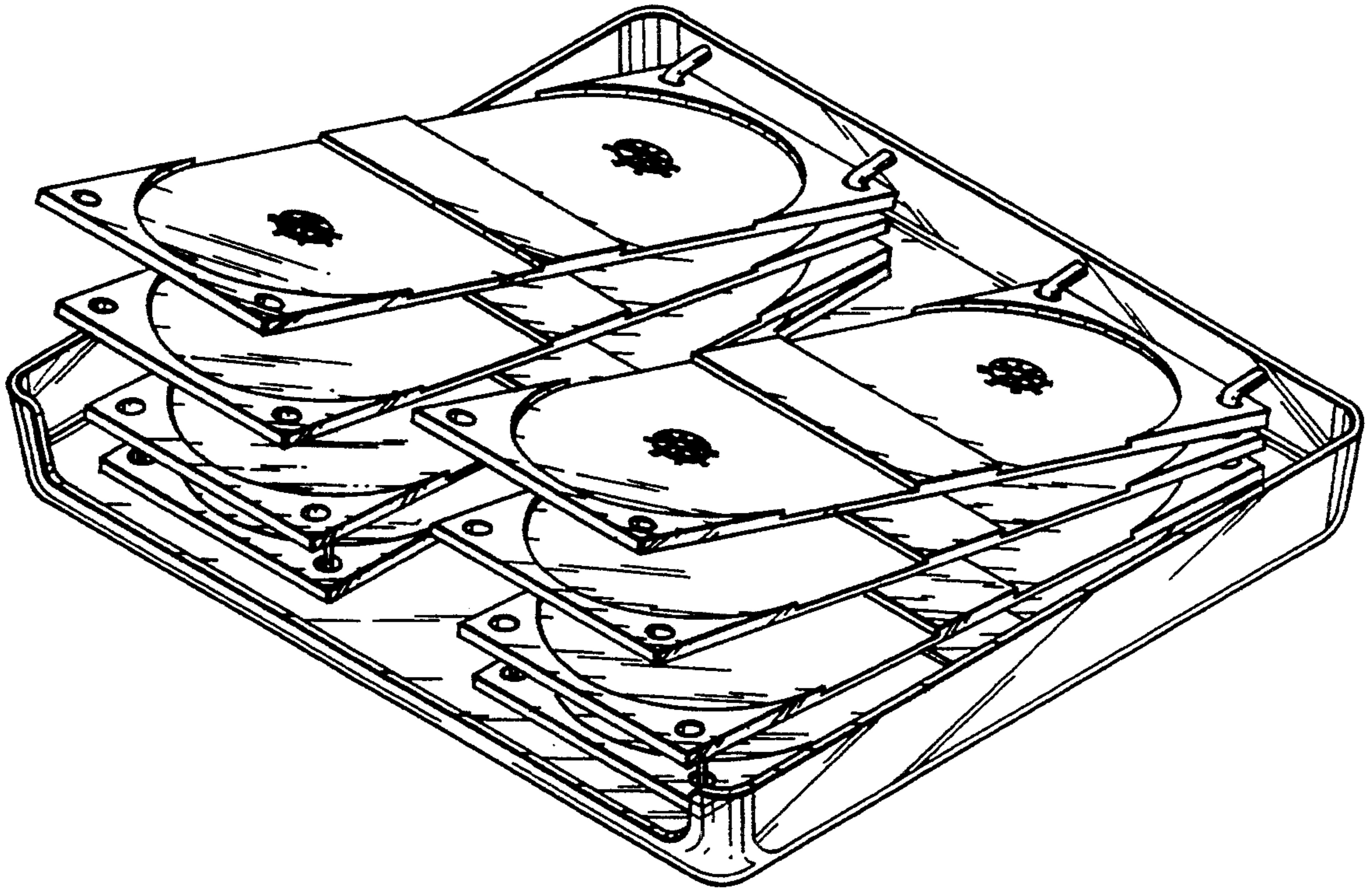


FIG. 11

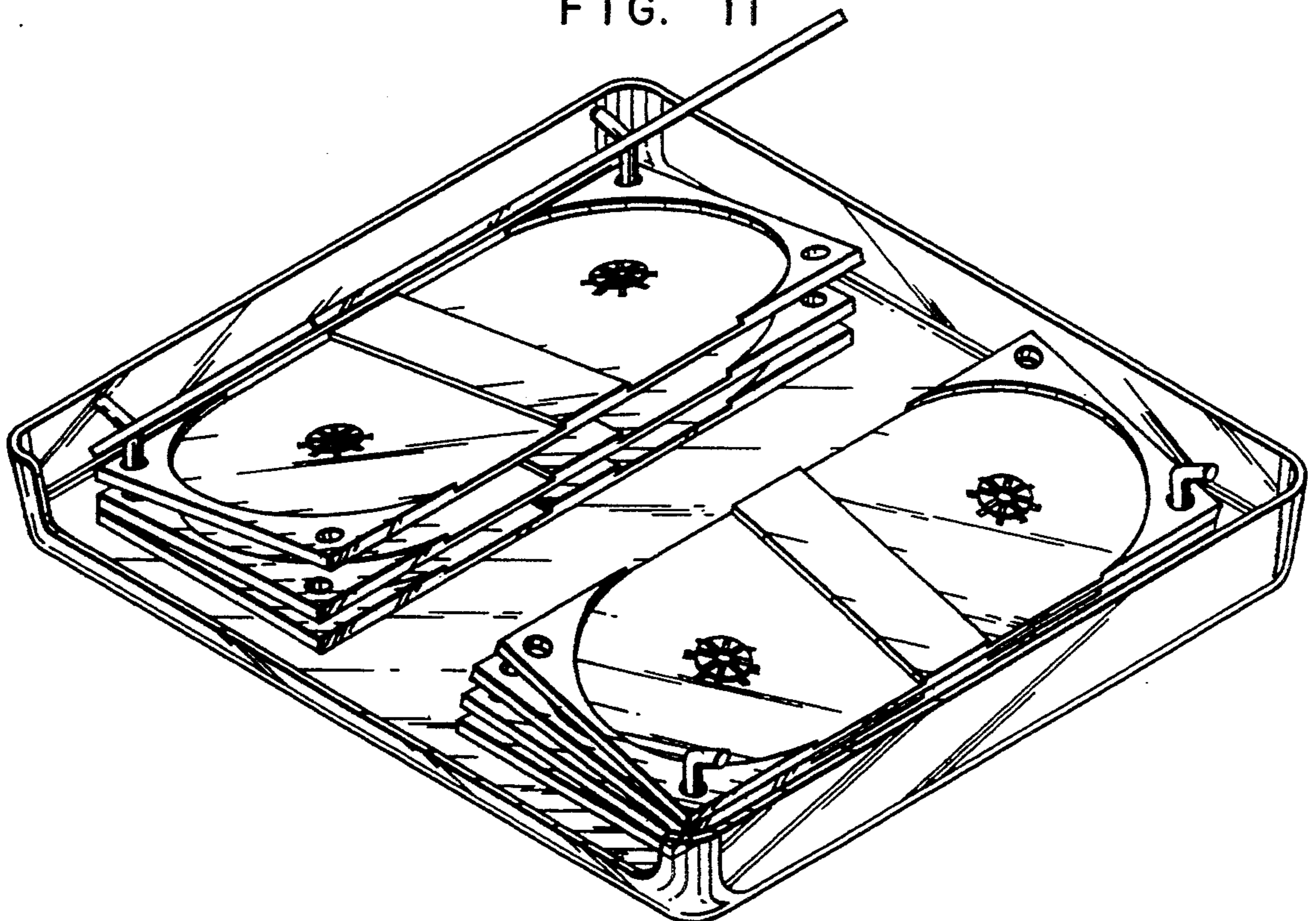


FIG. 12

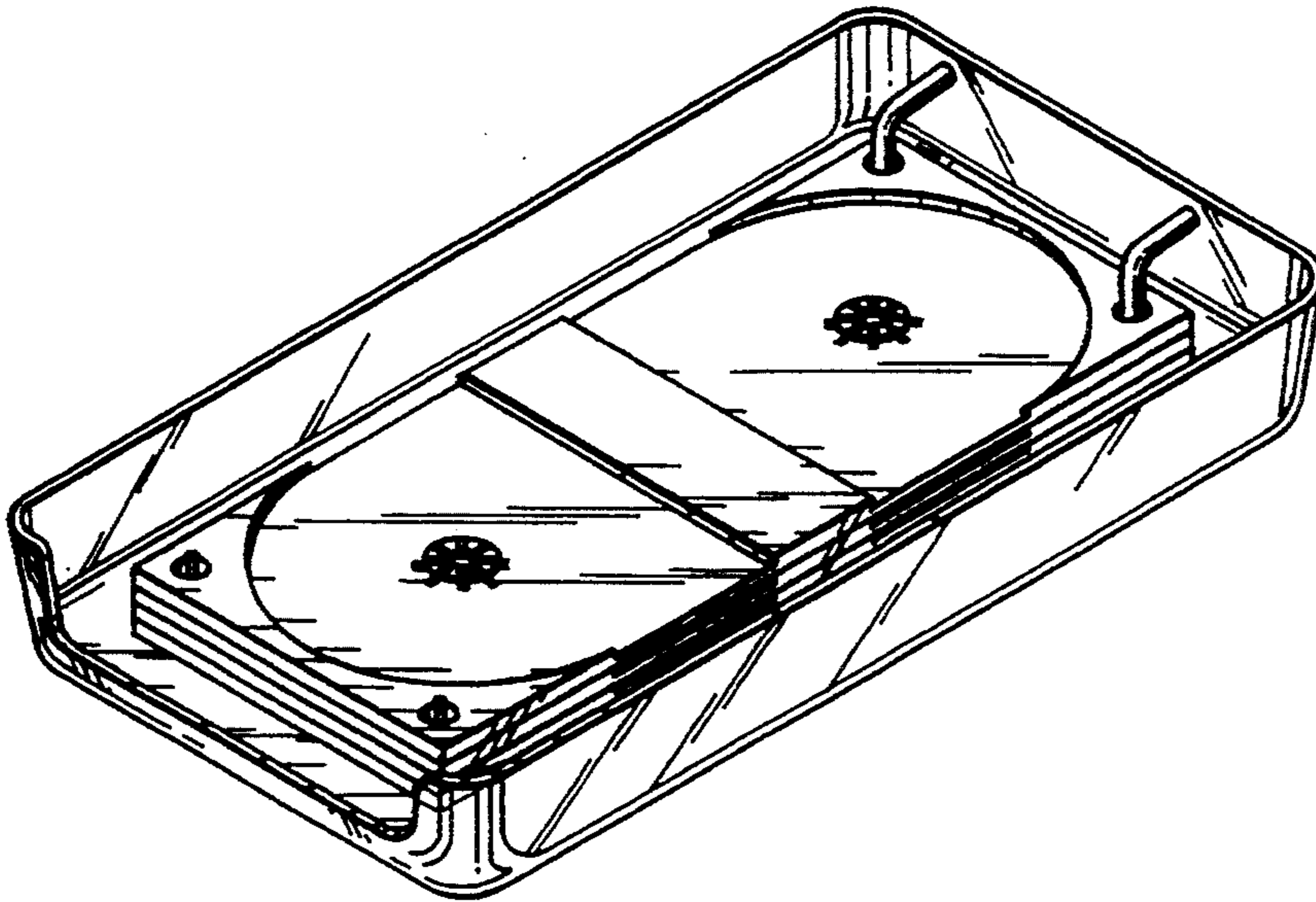


FIG. 13

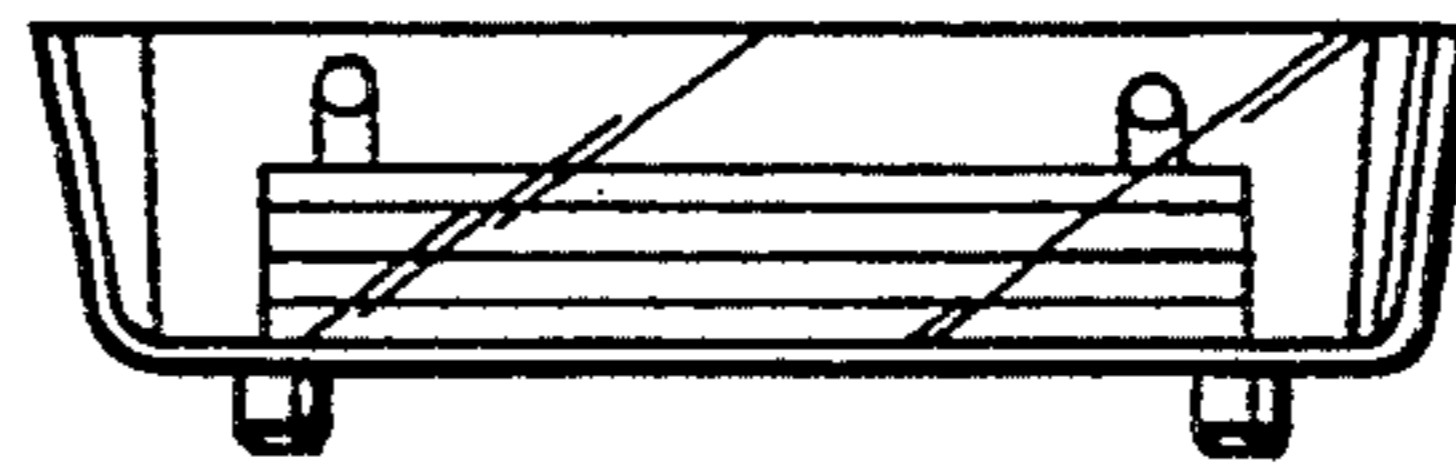


FIG. 18

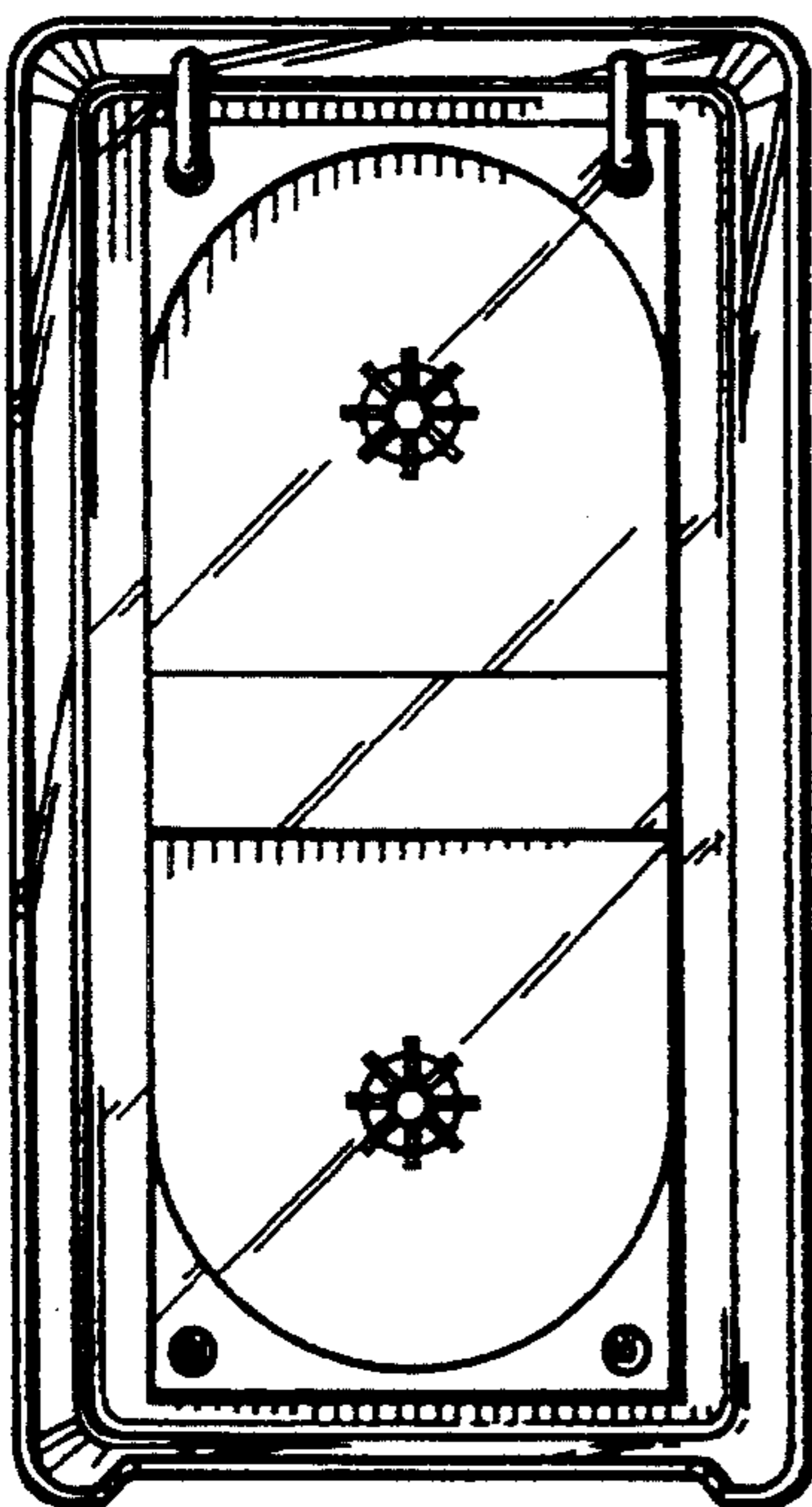


FIG. 14

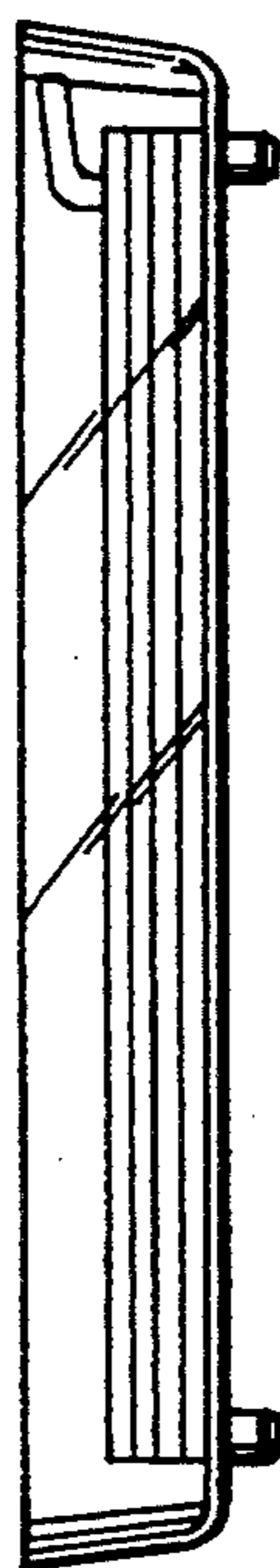


FIG. 16

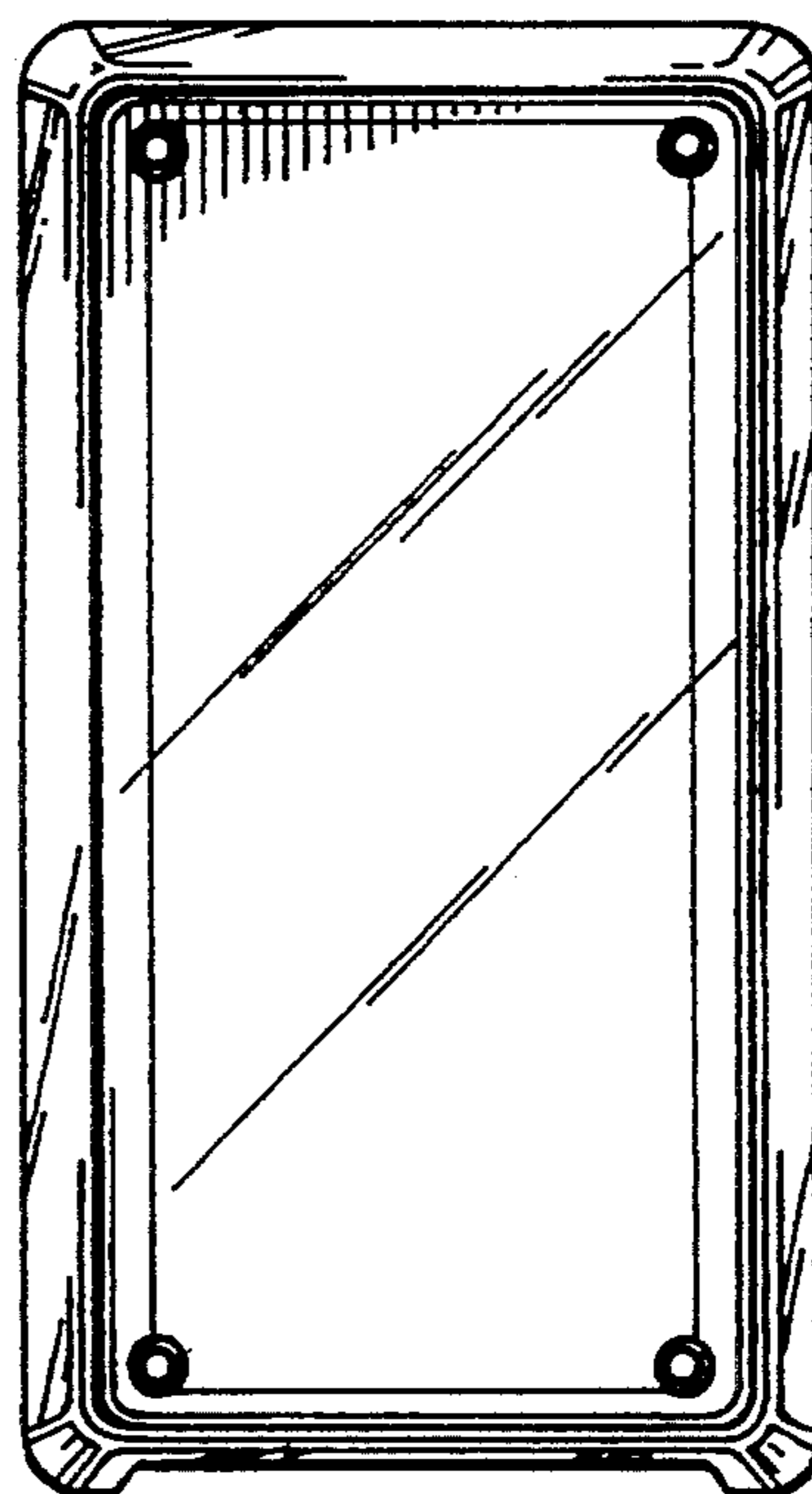


FIG. 15



FIG. 17

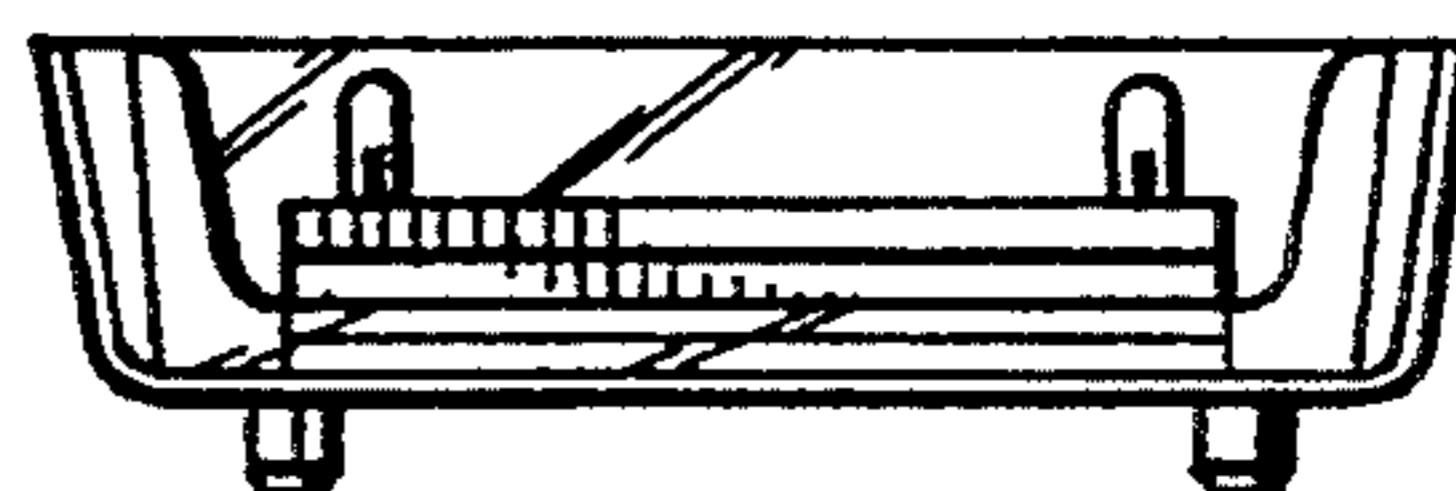


FIG. 19

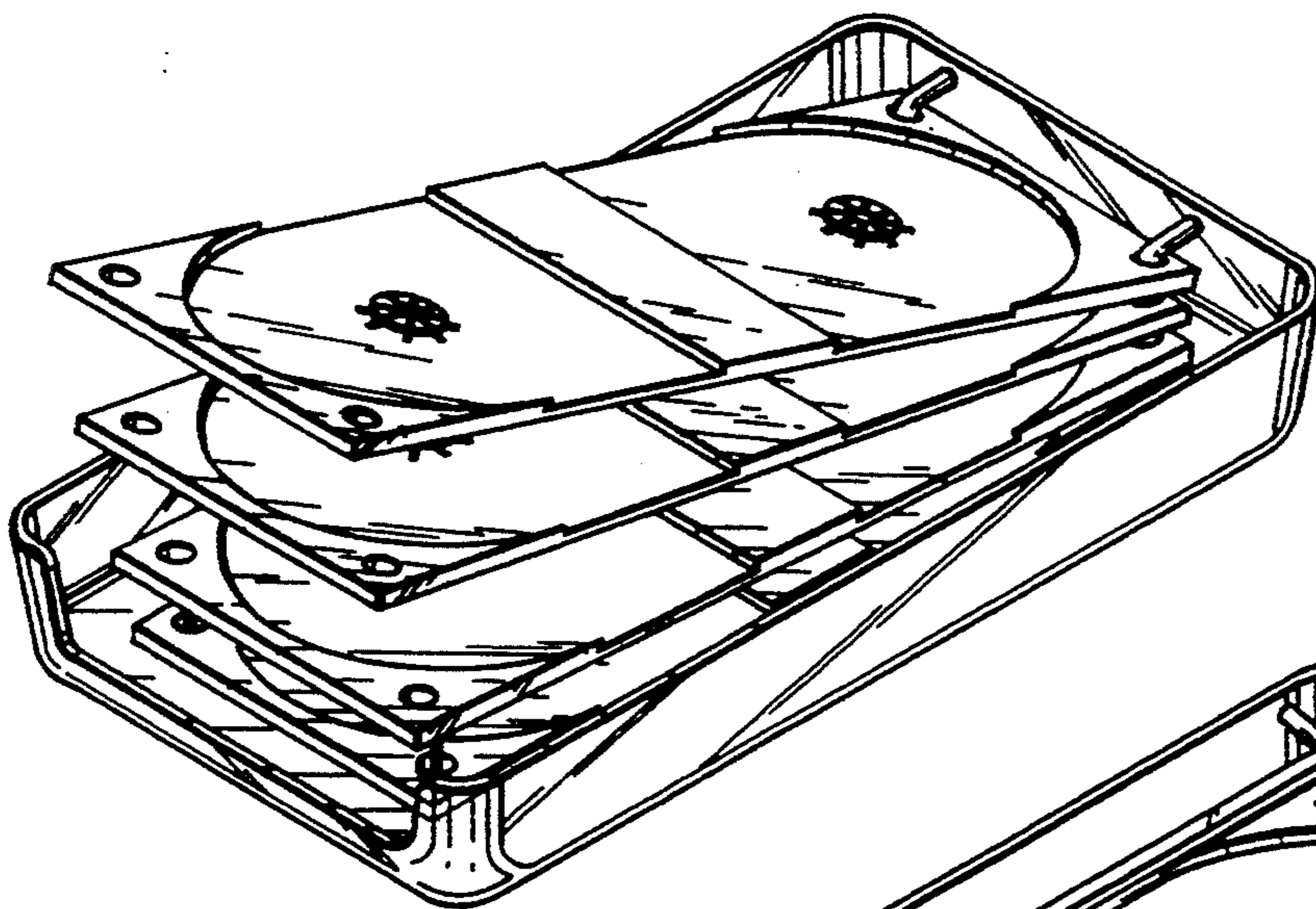


FIG. 20

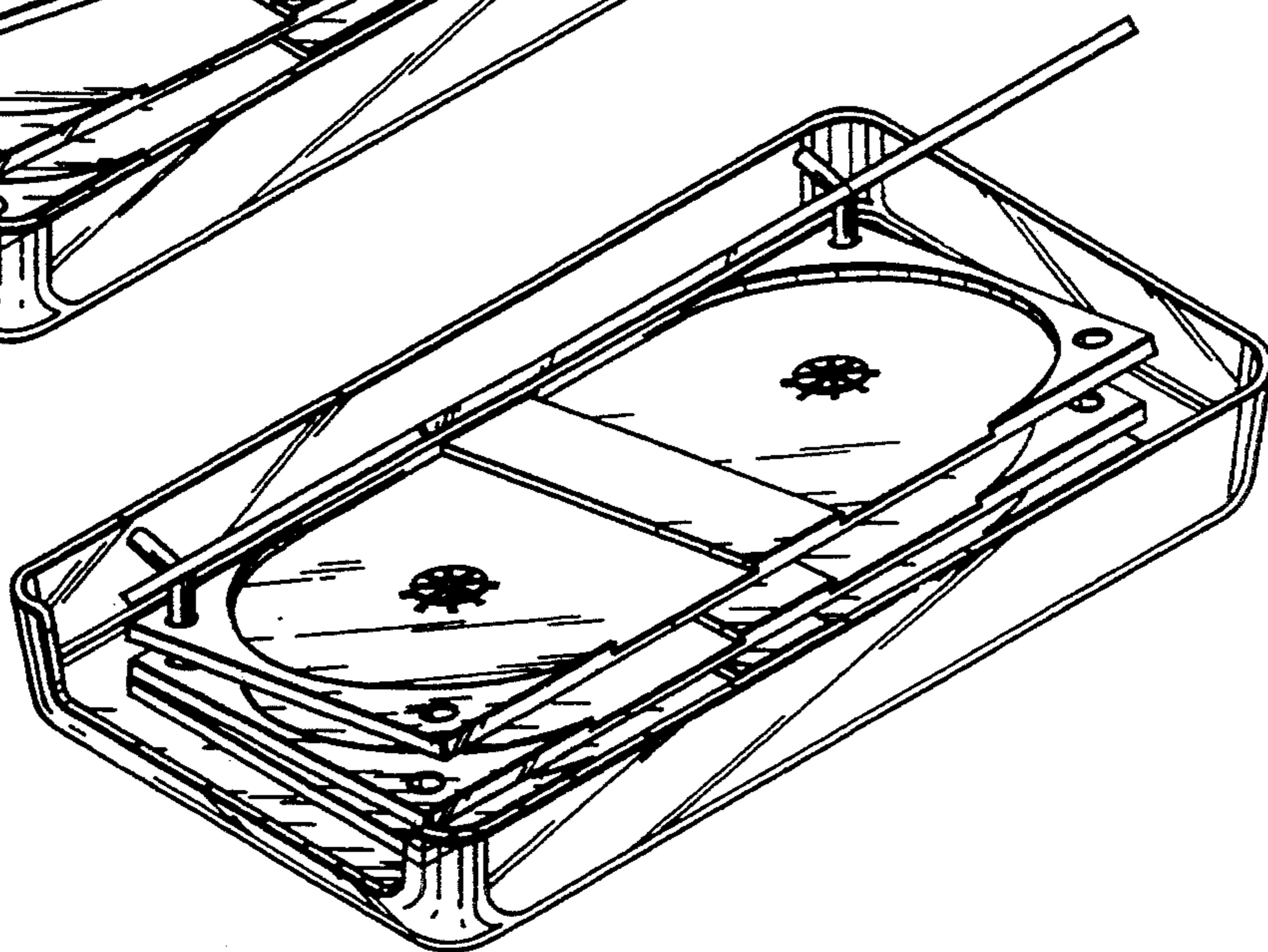


FIG. 21

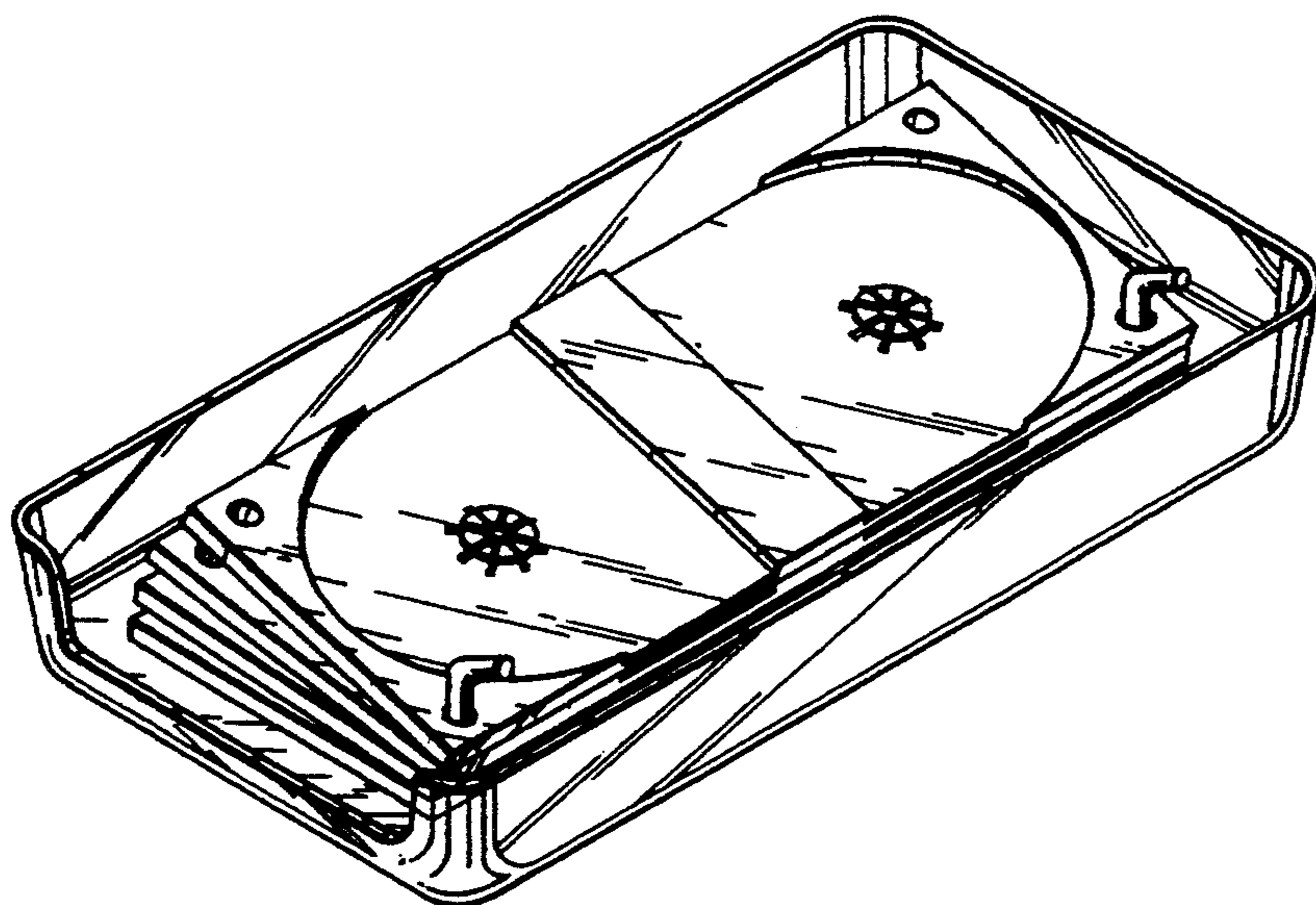


FIG. 22

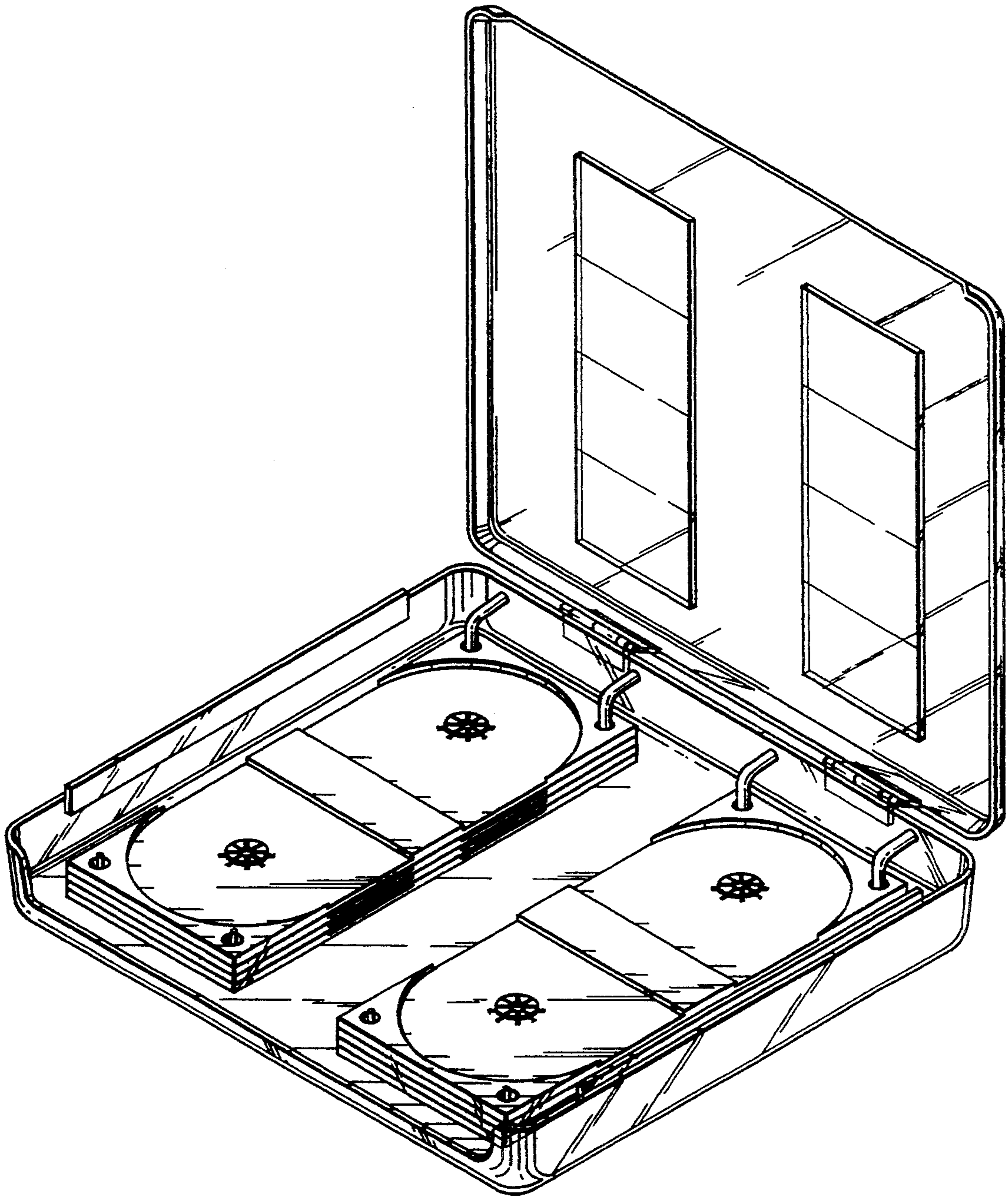


FIG. 23

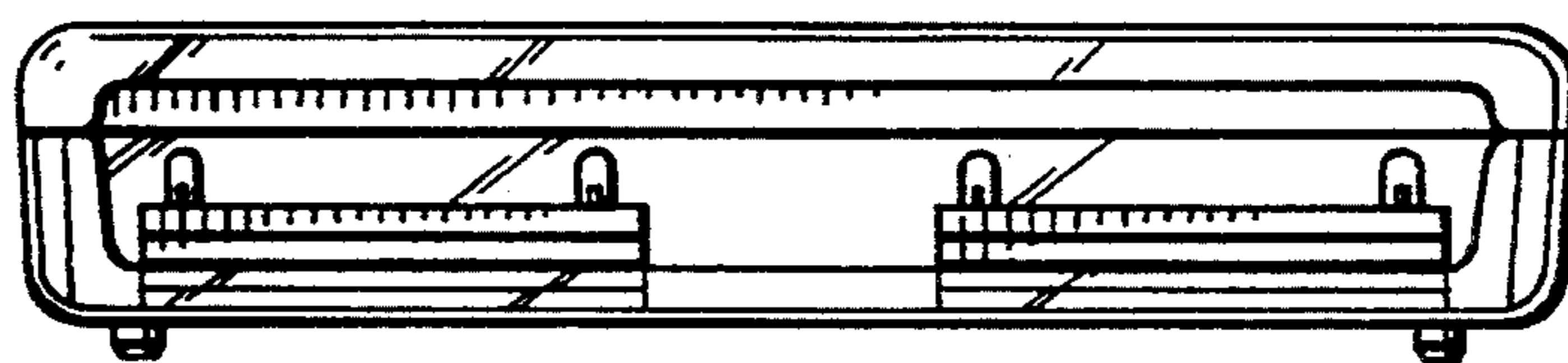


FIG. 24

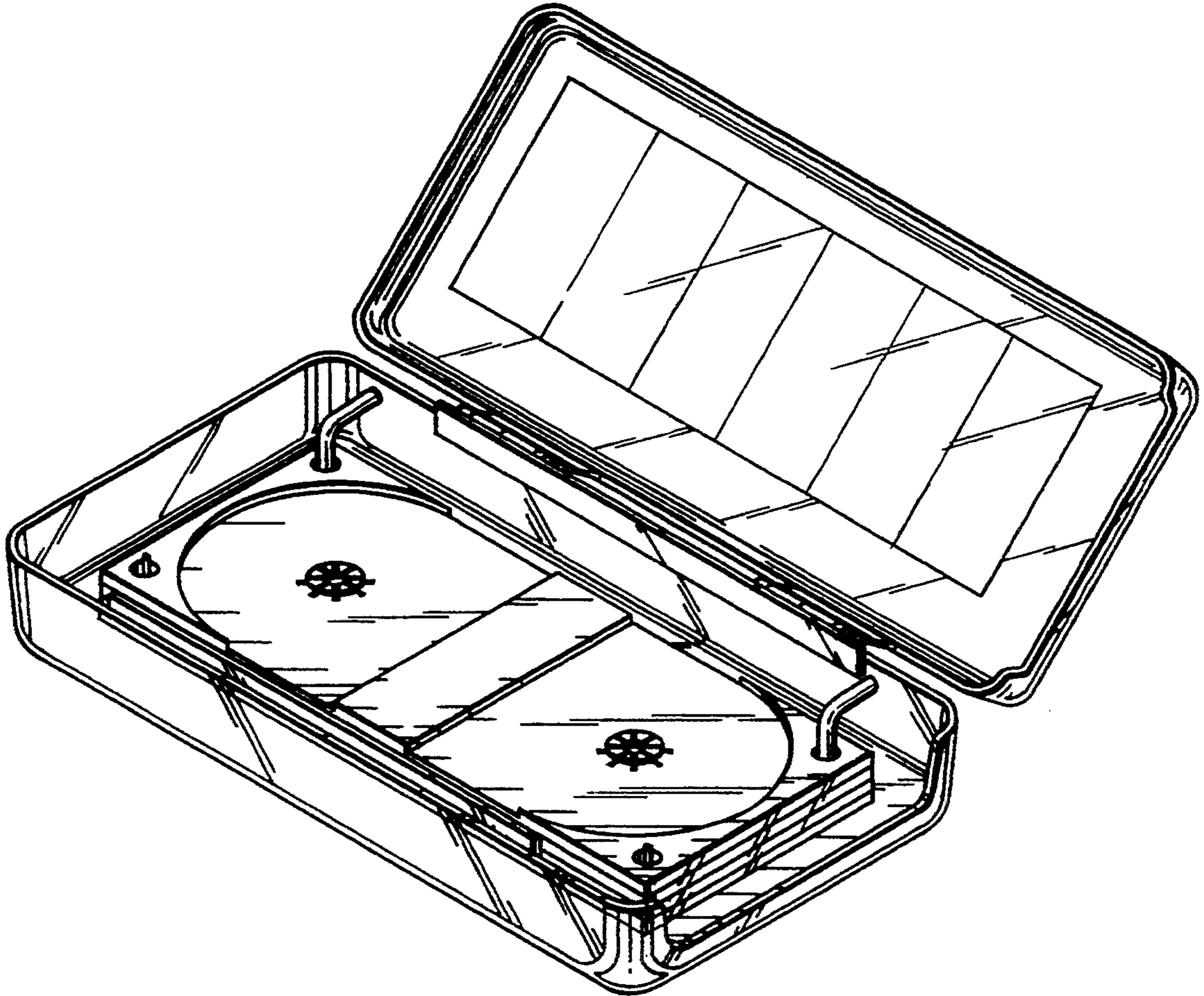


FIG. 25

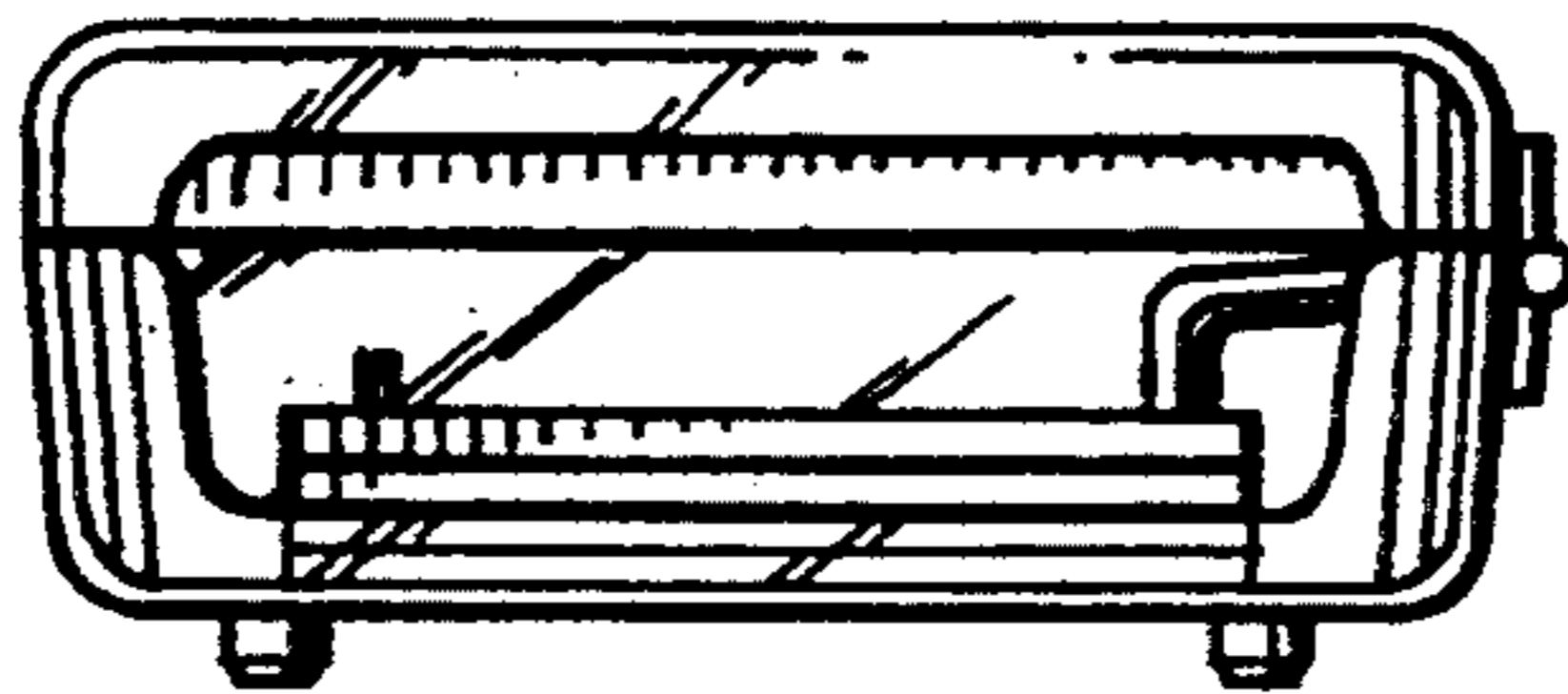


FIG. 26

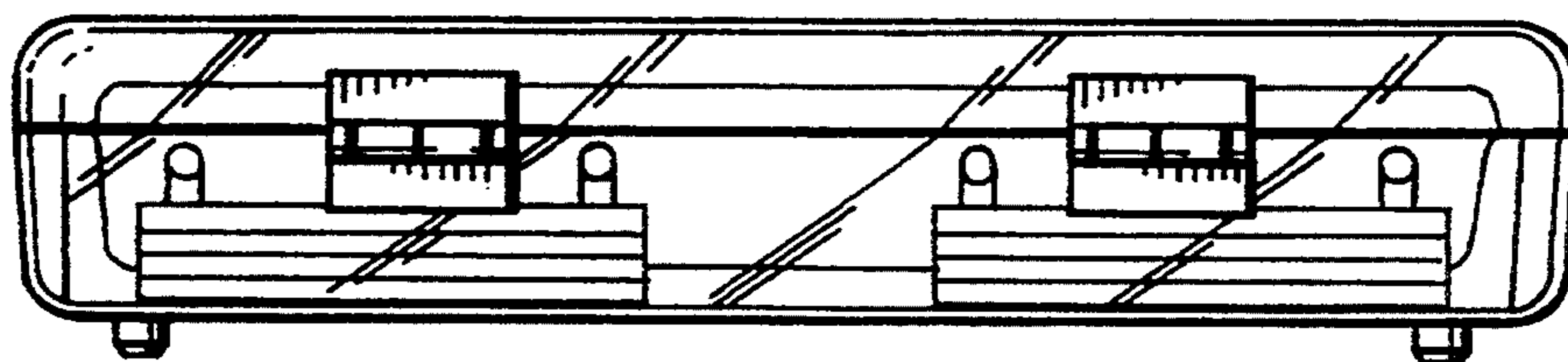


FIG. 27

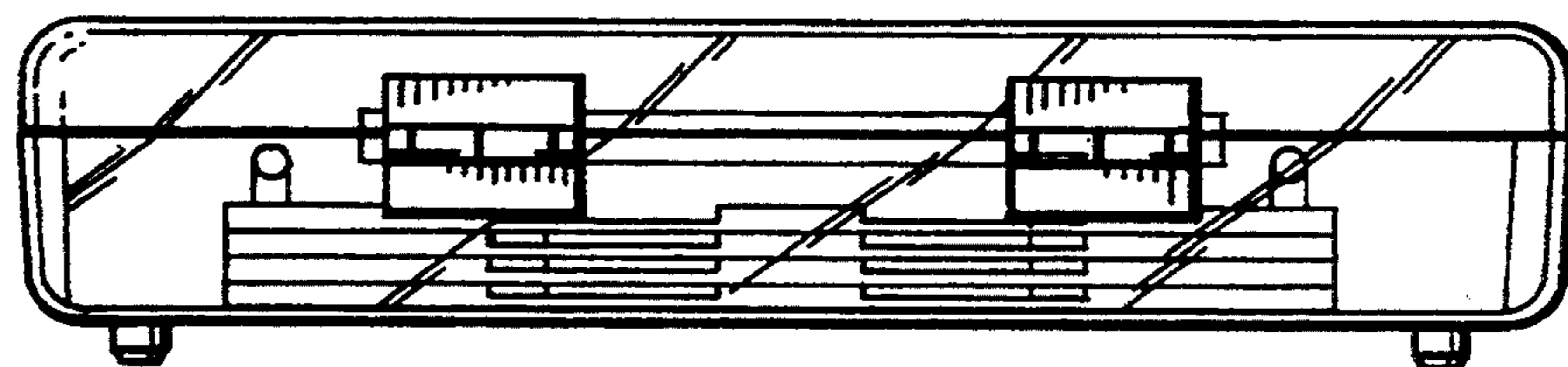


FIG. 28