



US00D359191S

United States Patent [19]

[11] Patent Number: **Des. 359,191**

Whitebread et al.

[45] Date of Patent: **** Jun. 13, 1995**

[54] **CUSHION UNIT FOR LIFTING A HANDICAPPED PERSON**

4,458,370	7/1984	Fickler	5/634
4,538,853	9/1985	Levenberg	297/337
4,637,654	1/1987	Boardman	297/337
4,690,457	9/1987	Pouncy	297/337

[76] Inventors: **Ward W. Whitebread; June H. Whitebread**, both of 1050 Cellana Ct., Fort Meyers, Fla. 33908-1607

Primary Examiner—Lisa P. Lichtenstein
Attorney, Agent, or Firm—Terry M. Gernstein

[**] Term: **14 Years**

[57] CLAIM

[21] Appl. No.: **570,365**

The ornamental design for a cushion unit for lifting a handicapped person, as shown and described.

[22] Filed: **Aug. 21, 1990**

[52] U.S. Cl. **D6/601**

DESCRIPTION

[58] Field of Search D6/595, 596, 601-604, D6/605, 607; 297/DIG. 10; D12/128; 5/633, 634, 615

FIG. 1 is a front, top and right side perspective view of a cushion unit for lifting a handicapped person showing my our design;

[56] References Cited

U.S. PATENT DOCUMENTS

D. 313,141	12/1990	Witter et al.	D6/601
1,587,387	6/1926	Lichtman	5/482
2,817,857	12/1957	Hockensmith	5/640

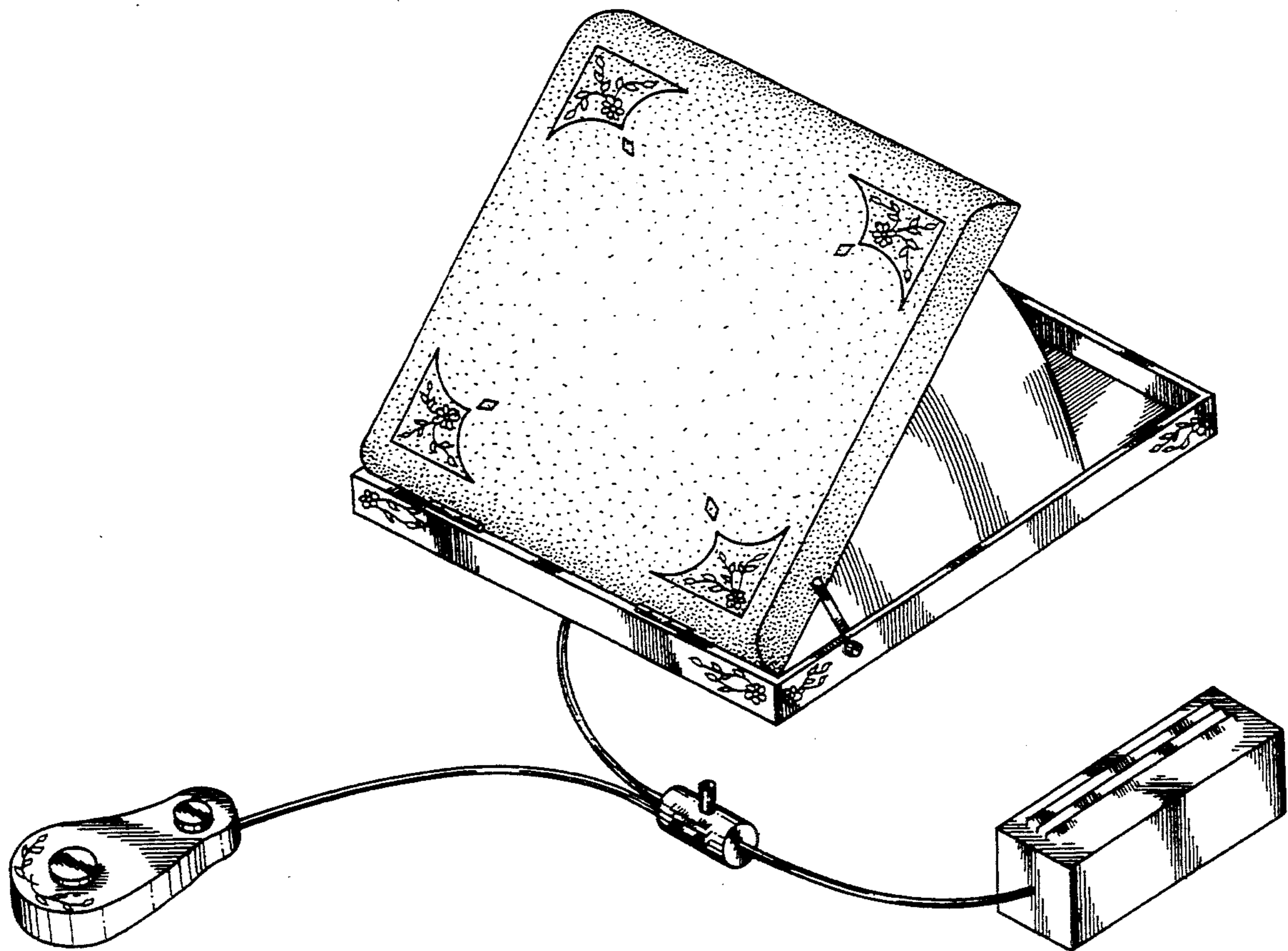
FIG. 2 is a front elevational view thereof;

FIG. 3 is a rear elevational view thereof;

FIG. 4 is a right side elevational view thereof, the left side being a mirror image of that shown;

FIG. 5 is a top plan view thereof; and,

FIG. 6 is a bottom plan view thereof.



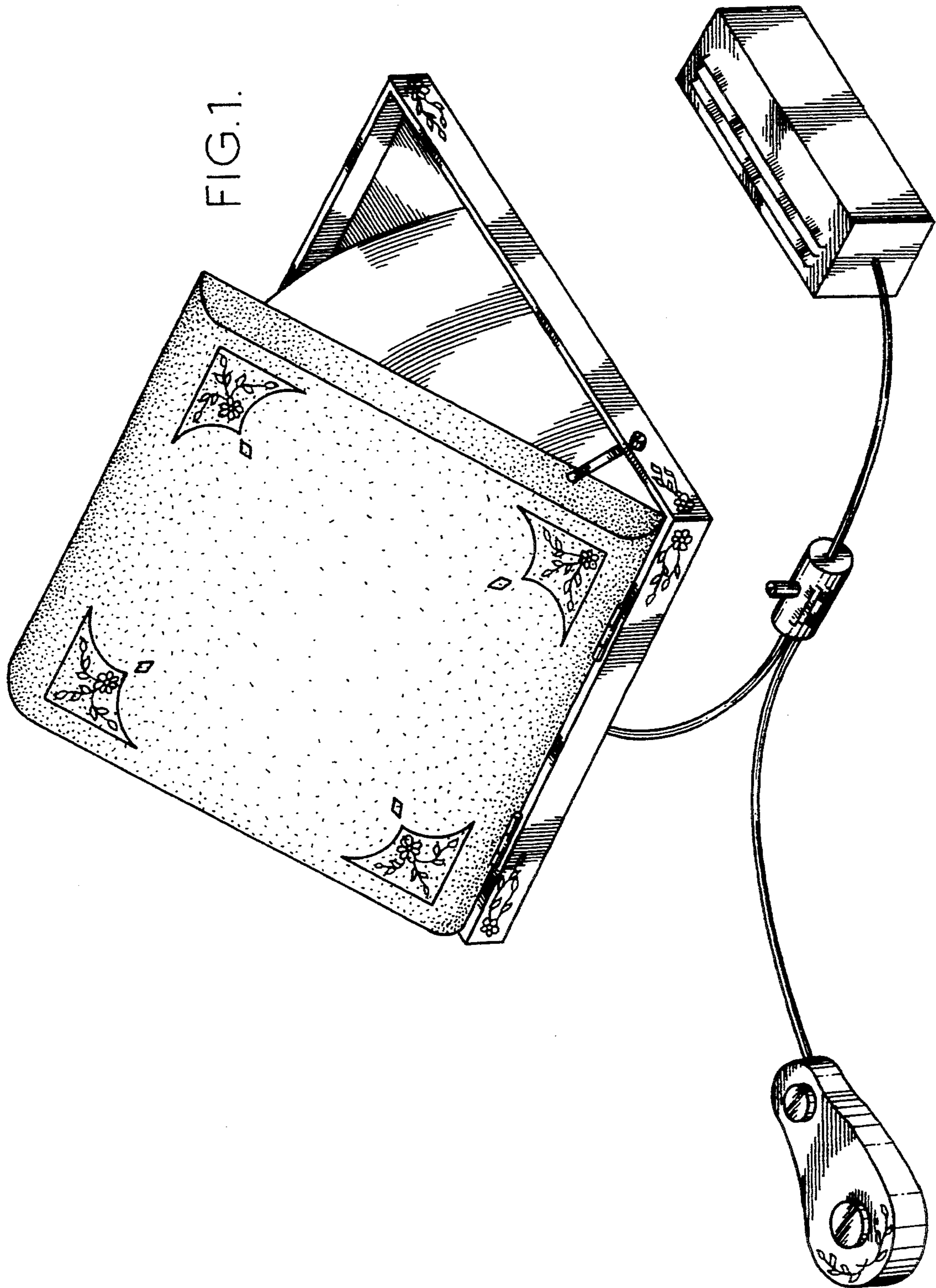


FIG. 3.

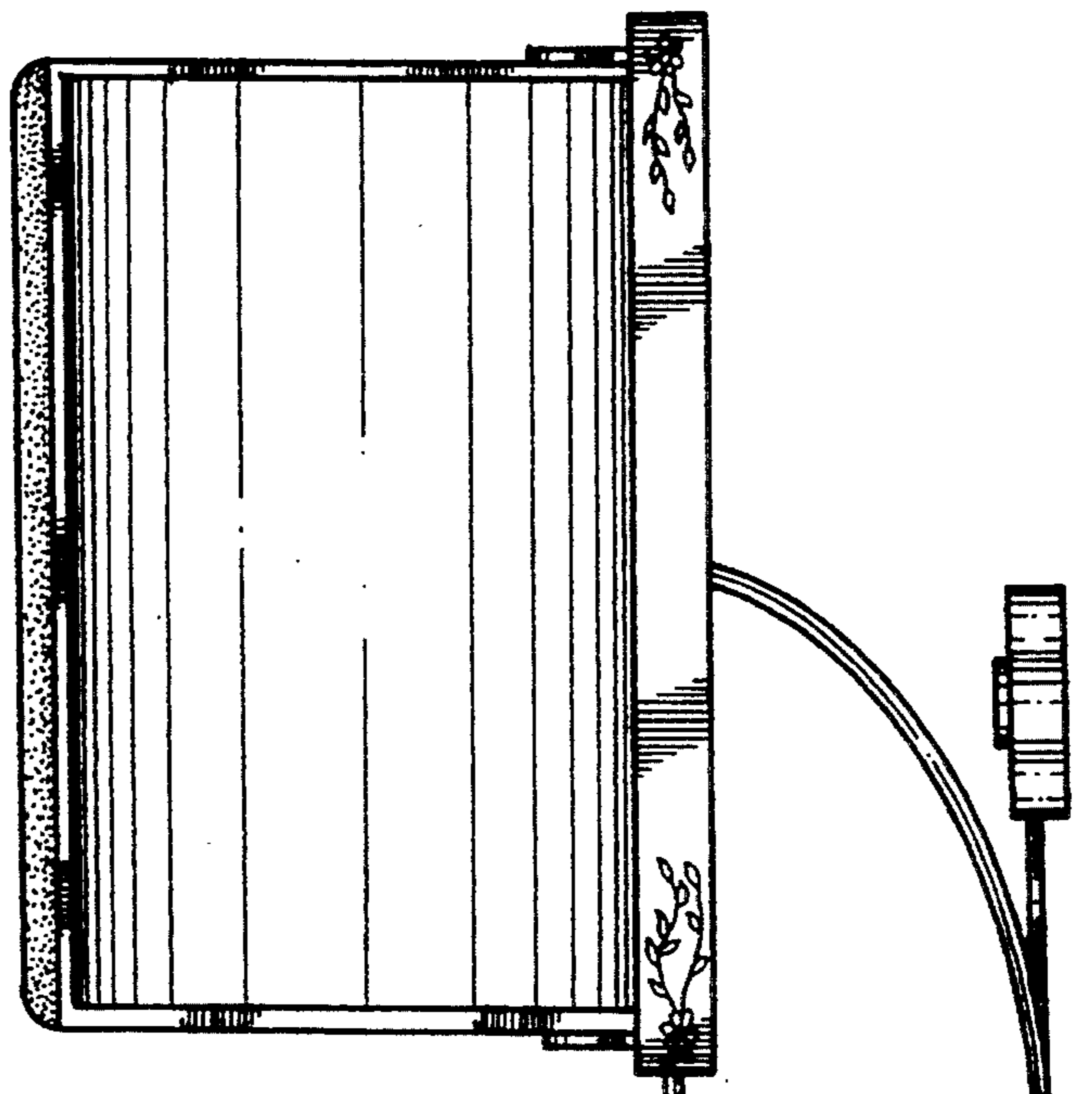
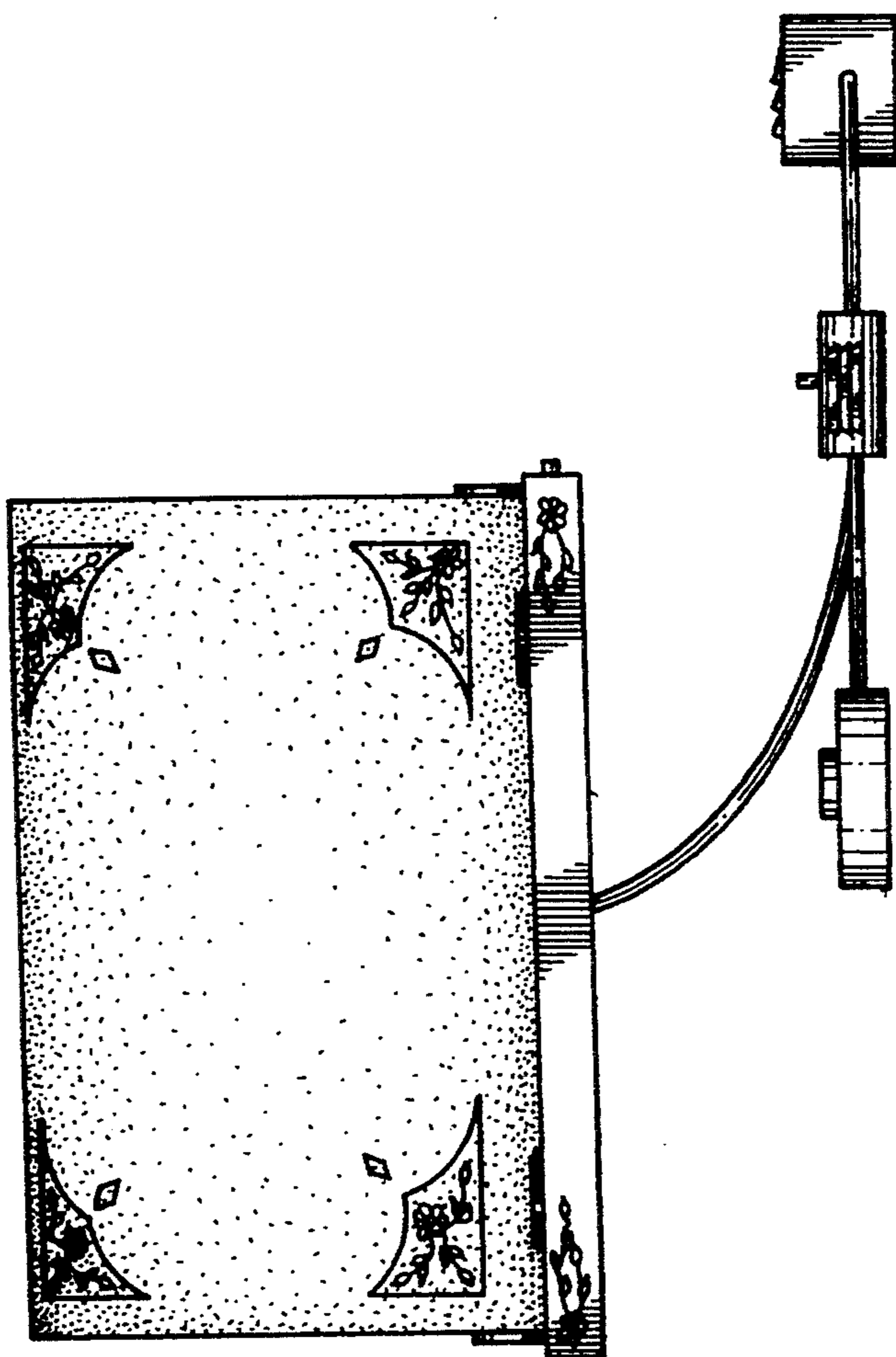


FIG. 2.



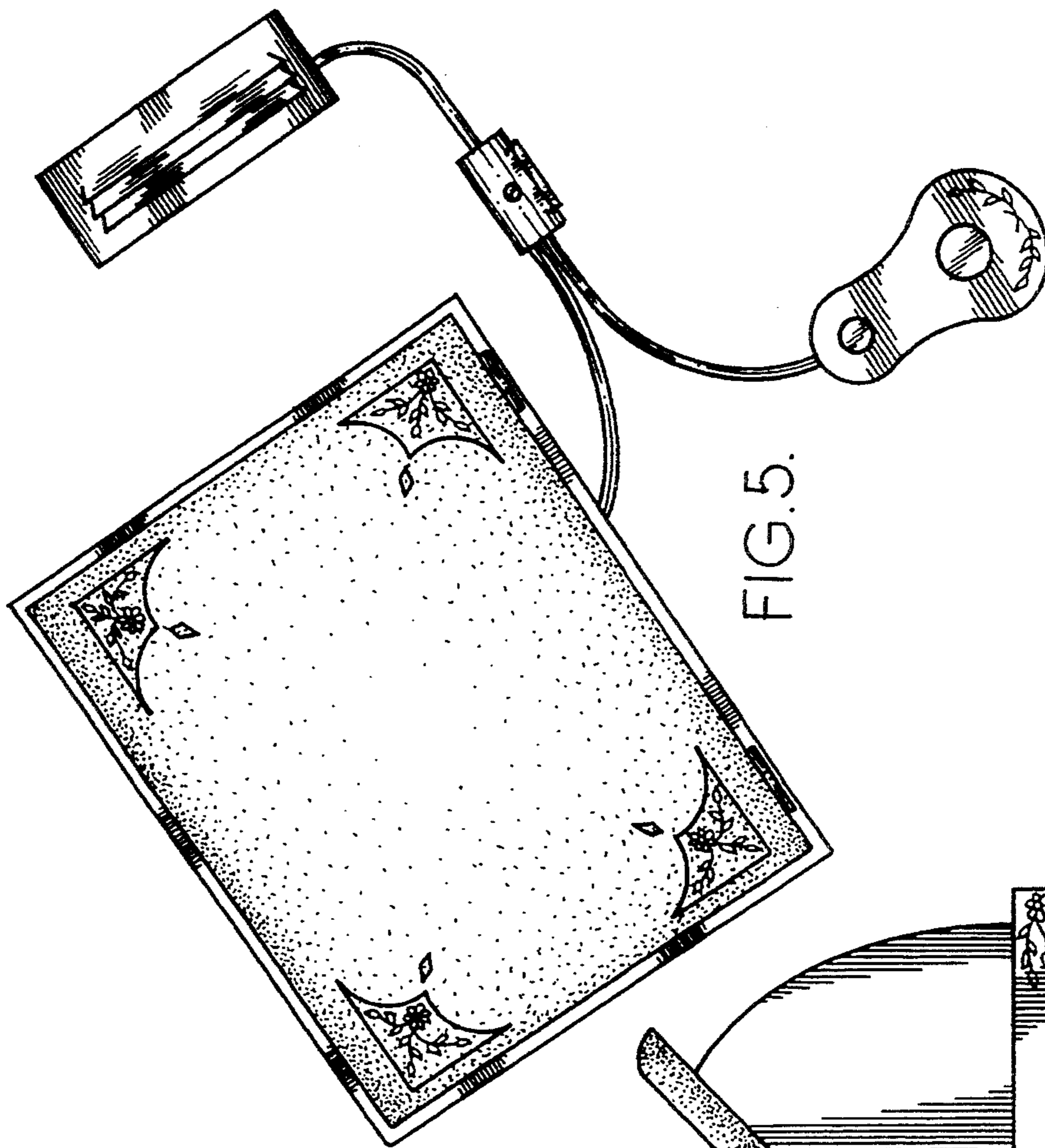


FIG. 5.

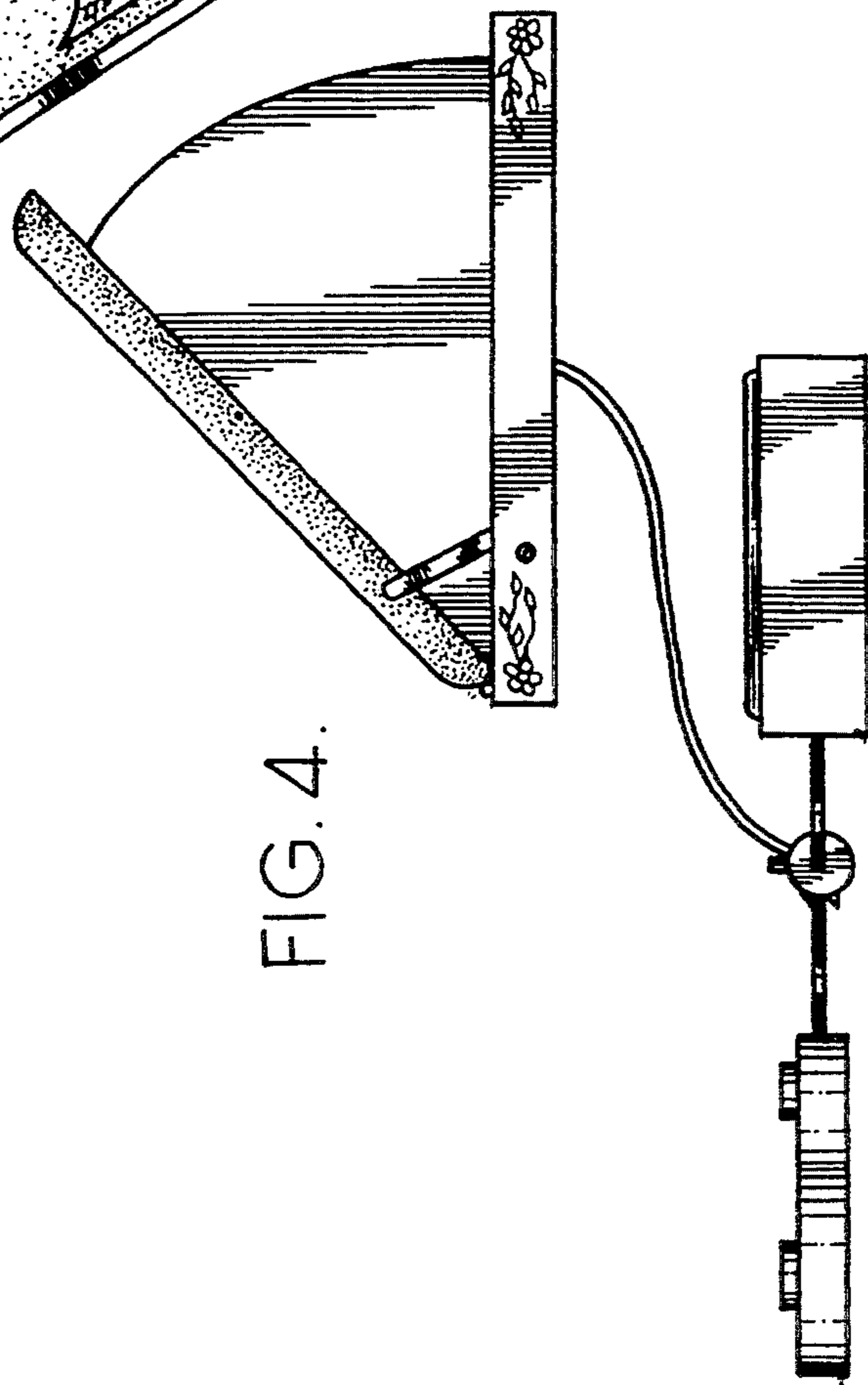


FIG. 4.

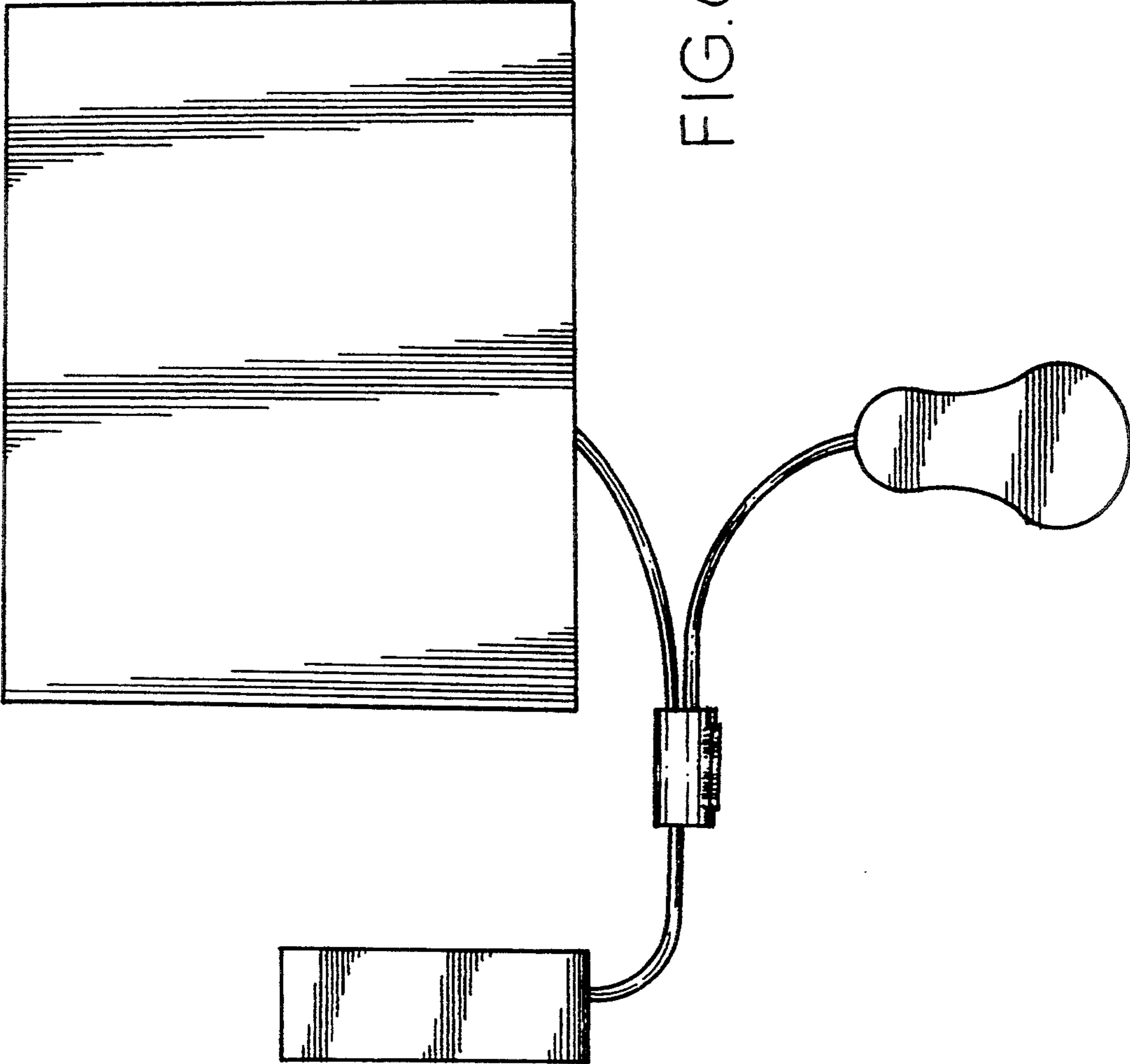


FIG. 6.