



US00D359190S

United States Patent [19]

[11] Patent Number: Des. 359,190

Hargest et al.

[45] Date of Patent: ** Jun. 13, 1995

[54] FOOT SUPPORT CUSHION

[75] Inventors: **Thomas S. Hargest**, Charleston;
Richard W. Raburn, Simpsonville,
both of S.C.

[73] Assignee: **Span-America Medical Systems, Inc.**,
Greenville, S.C.

[**] Term: **14 Years**

[21] Appl. No.: **17,856**

[22] Filed: **Jan. 24, 1994**

[52] U.S. Cl. **D6/601; D24/192**

[58] Field of Search **D6/595, 596, 601, 606,**
D6/604; 128/882, 878, 879; D24/183, 190-192,
189; 5/640, 648, 650, 646, 647, 649, 922

[56] References Cited

U.S. PATENT DOCUMENTS

Re. 30,444	12/1980	Spann	602/24
D. 225,472	12/1972	Lowrey et al.	D24/192
D. 287,641	1/1987	Schaefer	D24/190
D. 337,217	7/1993	Strickland	D6/390
3,903,878	9/1975	Spann	602/21
3,931,654	1/1976	Spann	5/650
3,939,829	2/1976	Spann	128/878
3,946,451	3/1976	Spann	5/650
4,135,504	1/1979	Spann	602/204
4,210,317	7/1980	Spann	5/647
4,327,714	5/1982	Spann	602/24
4,433,678	2/1984	Spann	602/24
4,573,456	3/1986	Spann	602/27

OTHER PUBLICATIONS

O.R. Positioners Ad, Foot Protector (A), top right side of page.

Primary Examiner—Lisa P. Lichtenstein
Attorney, Agent, or Firm—Dority & Manning

[57] CLAIM

The ornamental design of a foot support cushion, as shown and described.

DESCRIPTION

FIG. 1 is a front elevational view of a foot support cushion embodying the design of the present invention; FIG. 2 is a left side elevational view thereof, which is identical in appearance to the reverse of the right side elevational view thereof;

FIG. 3 is a back elevational view thereof;

FIG. 4 is a bottom elevational view thereof;

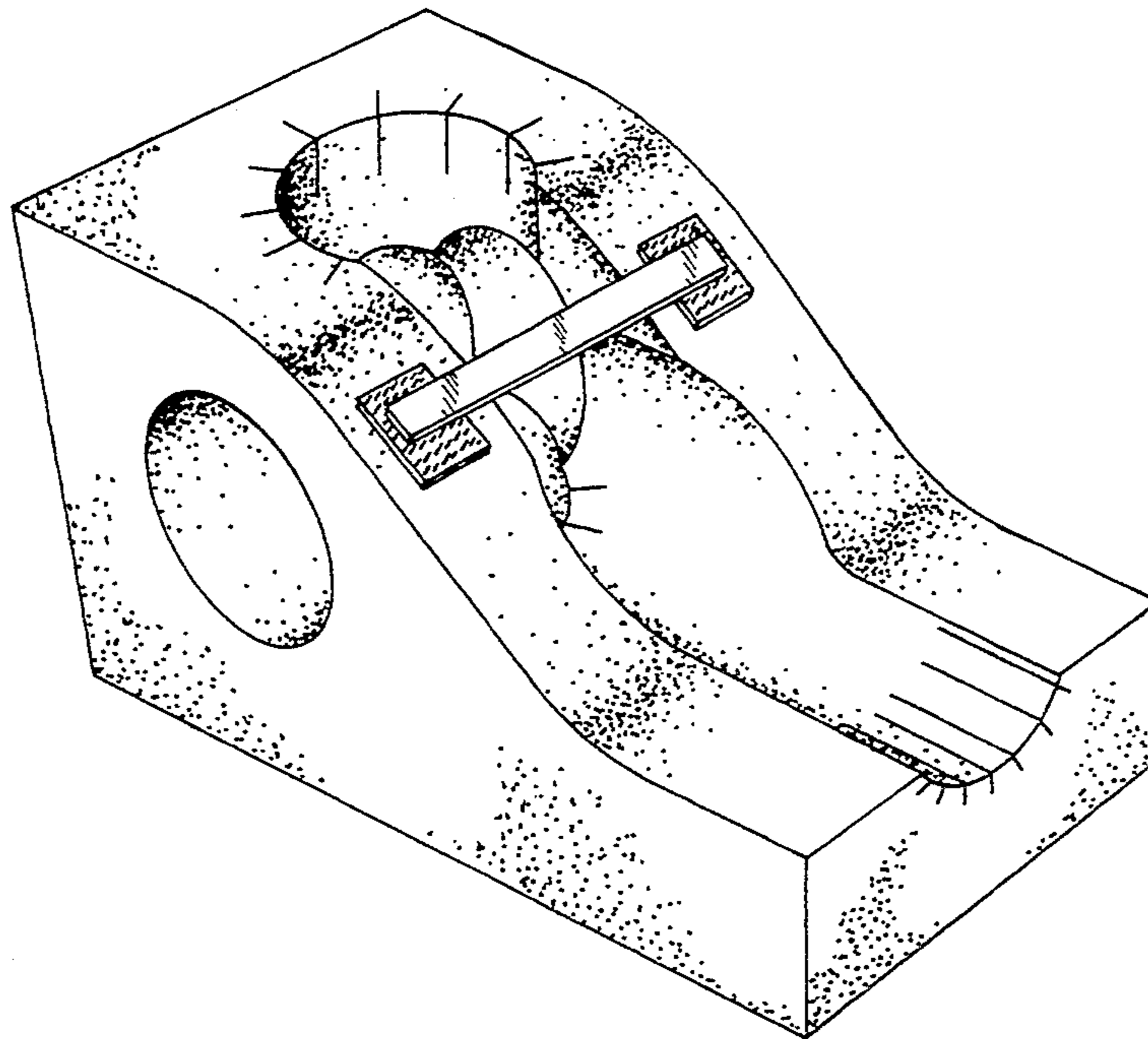
FIG. 5 is a top elevational view thereof;

FIG. 6 is a perspective view thereof; and,

FIG. 7 is a perspective view of a further present embodiment as in previous figures, but with certain alternative features as illustrated therein.

The use of stippling is intended to represent that the design is constructed primarily of foam or a like resilient material and does not form a surface feature of the design. The linear stripes as shown in FIGS. 1, 4, 6 and 7 are intended to represent cuts in the foam.

The sole difference in the embodiment of FIG. 7 from the embodiment of FIGS. 1 through 6 resides in the appearance of the shorter extent of the arcuate cradling area defined in the front cradling member and extending to the bottom of the cushion, as well as the more angled front end side edges.



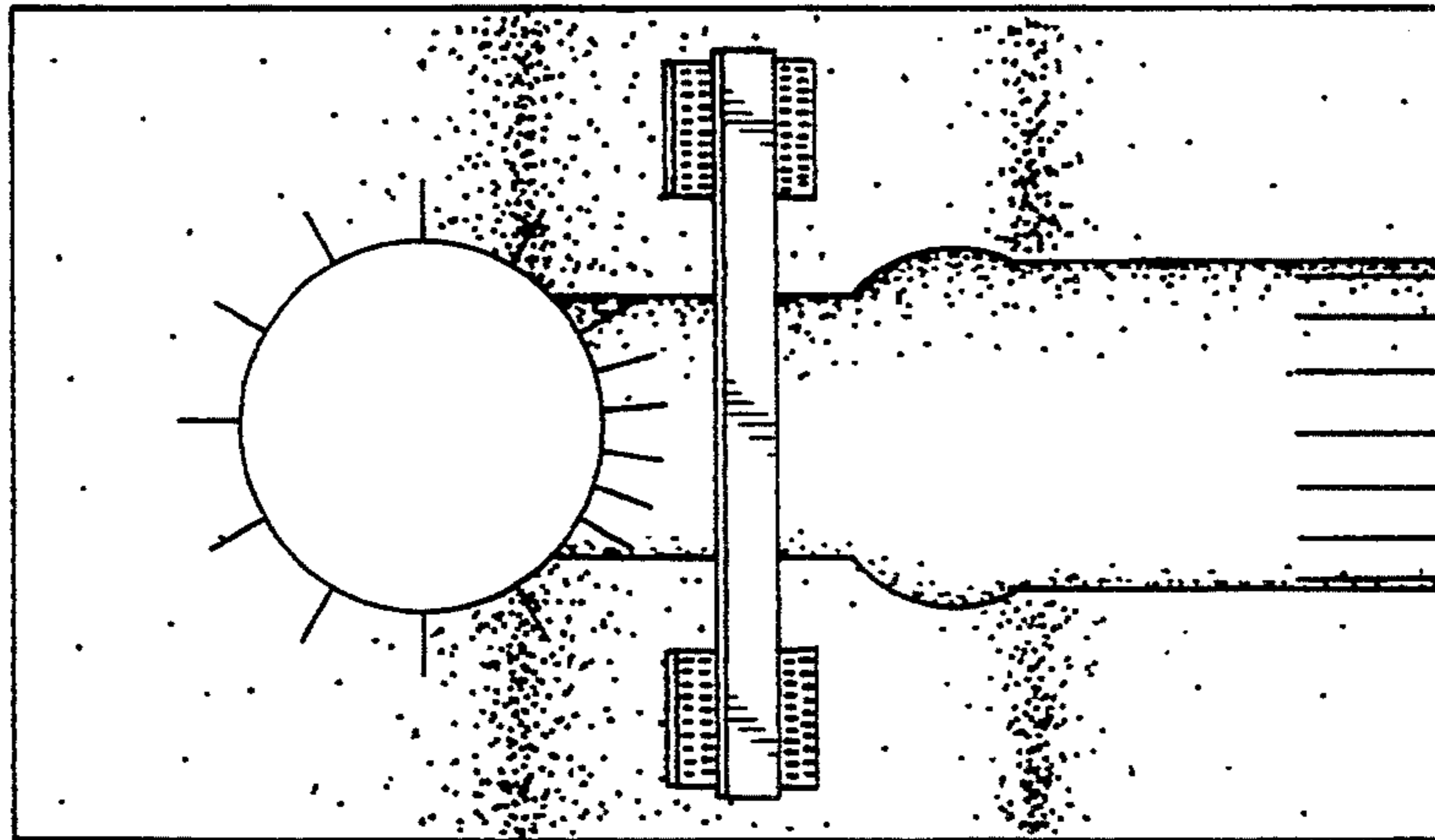


FIG. 1

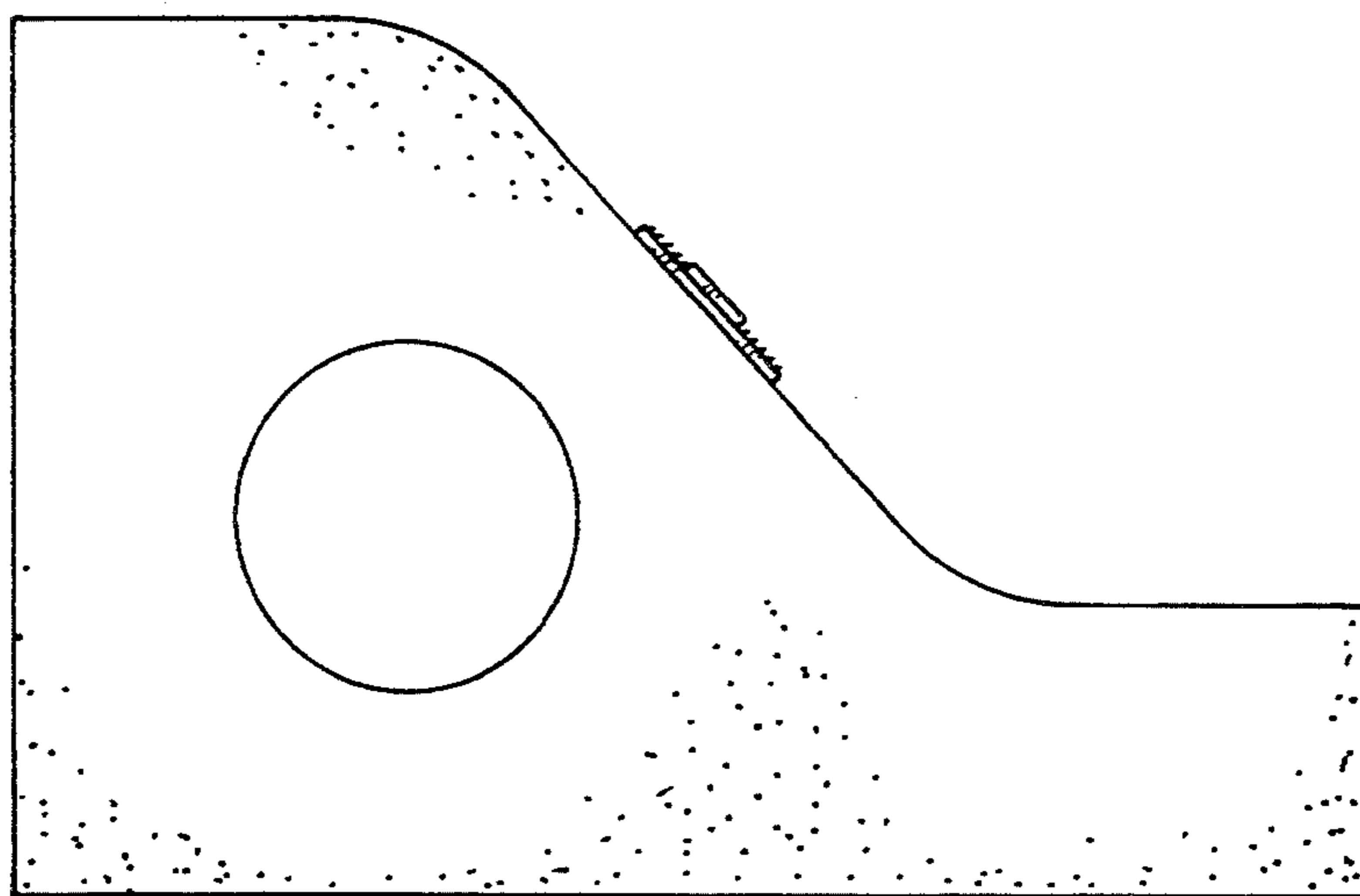


FIG. 2

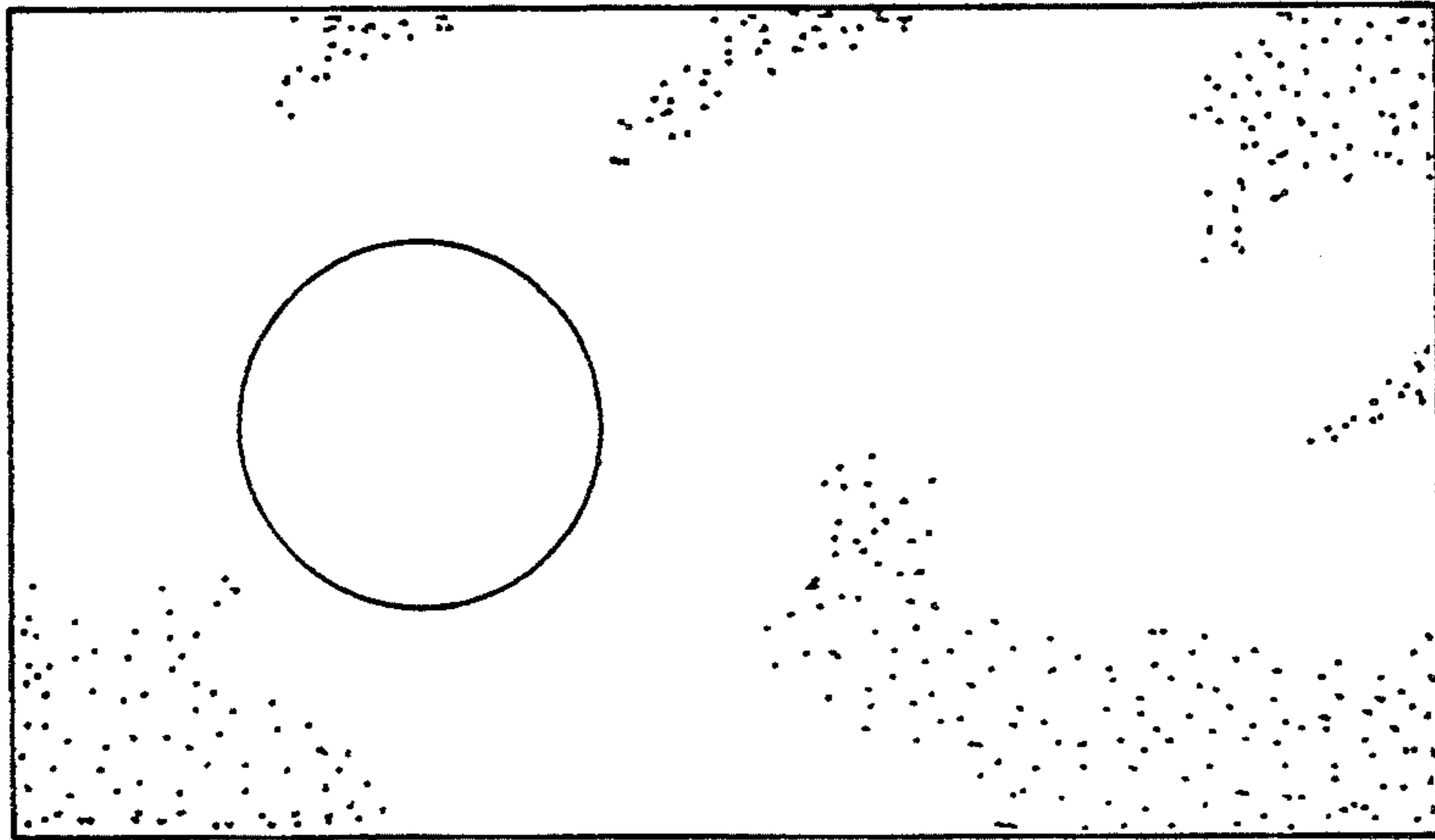


FIG. 3

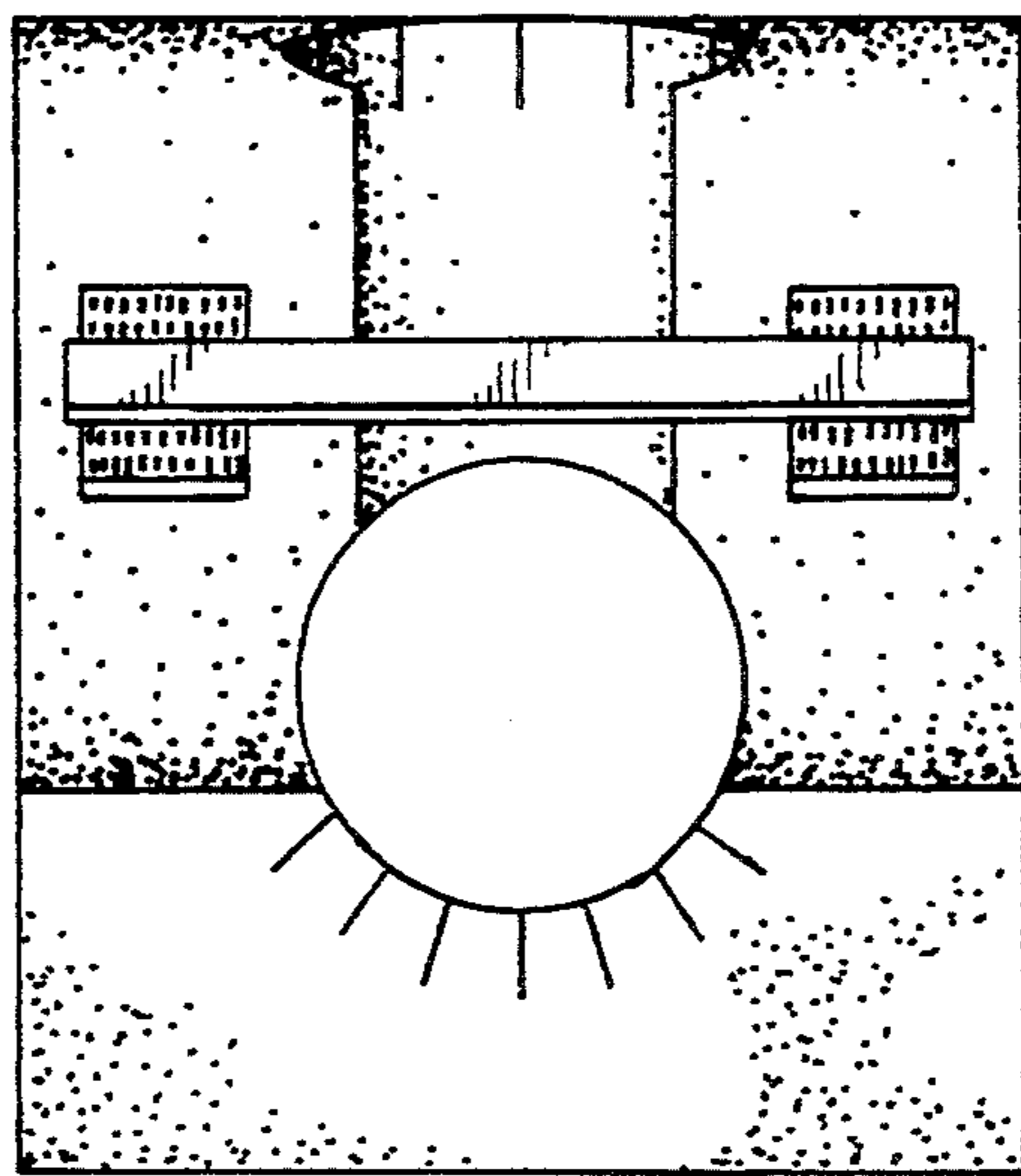


FIG. 4

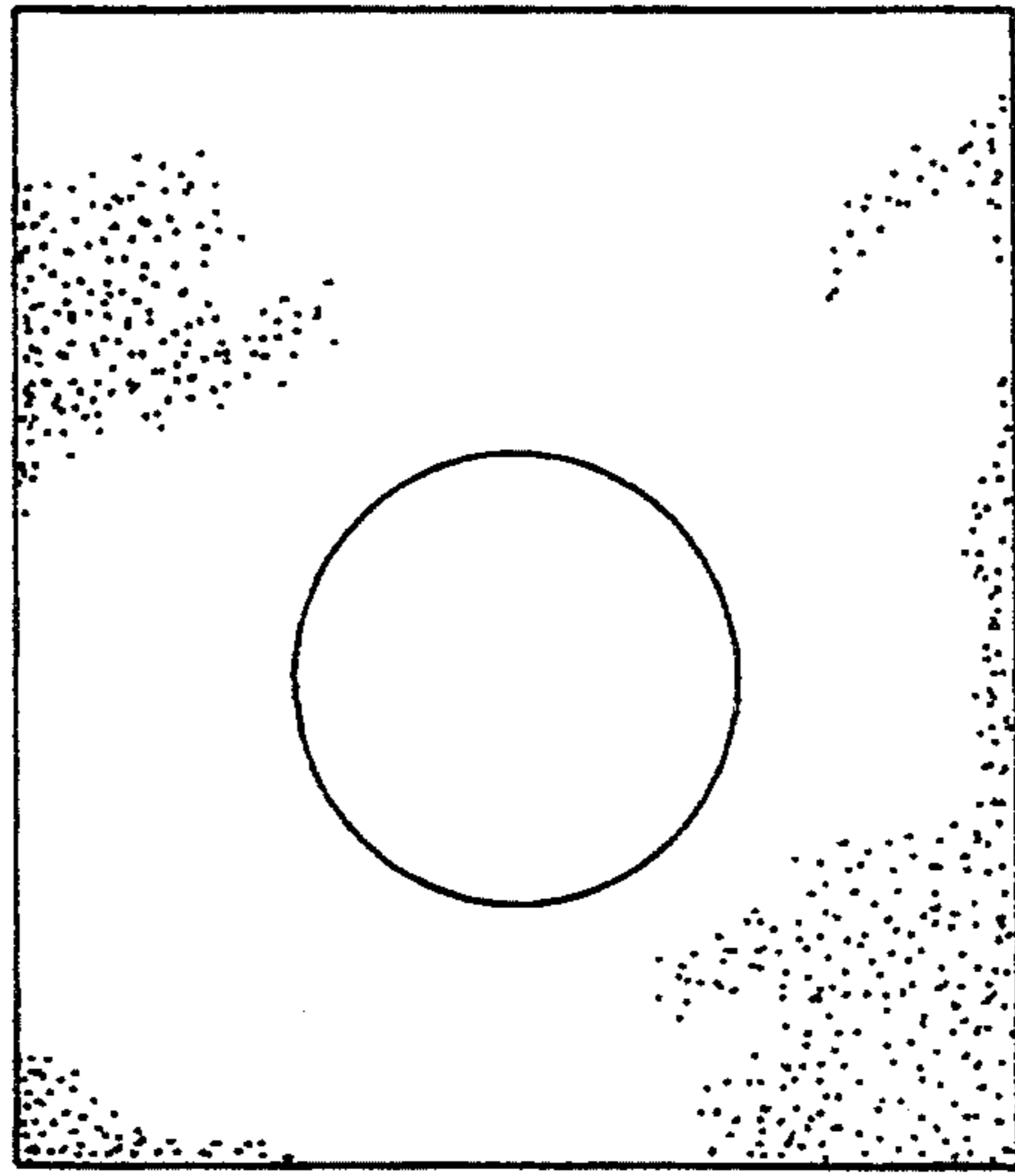


FIG. 5

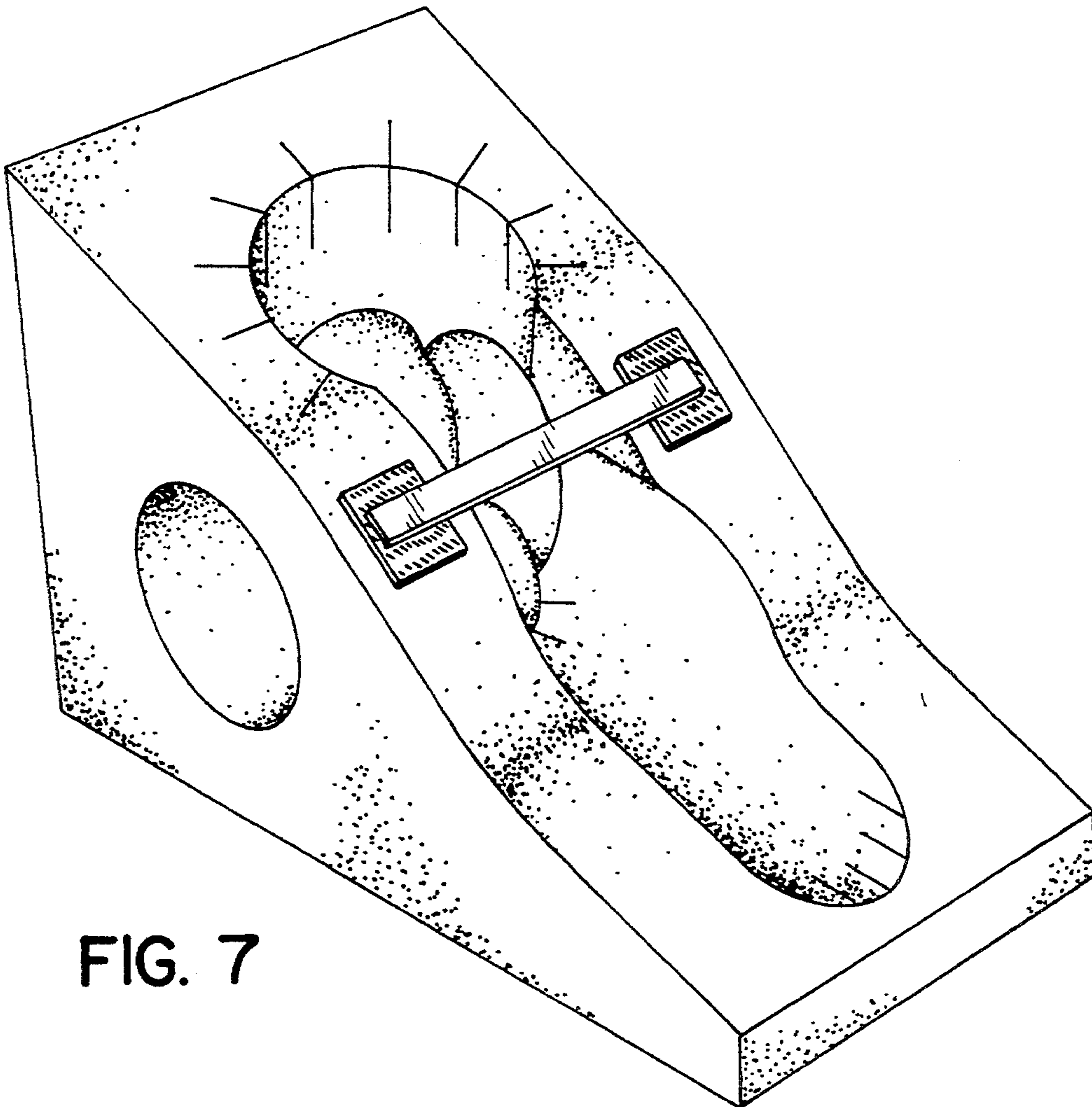


FIG. 7

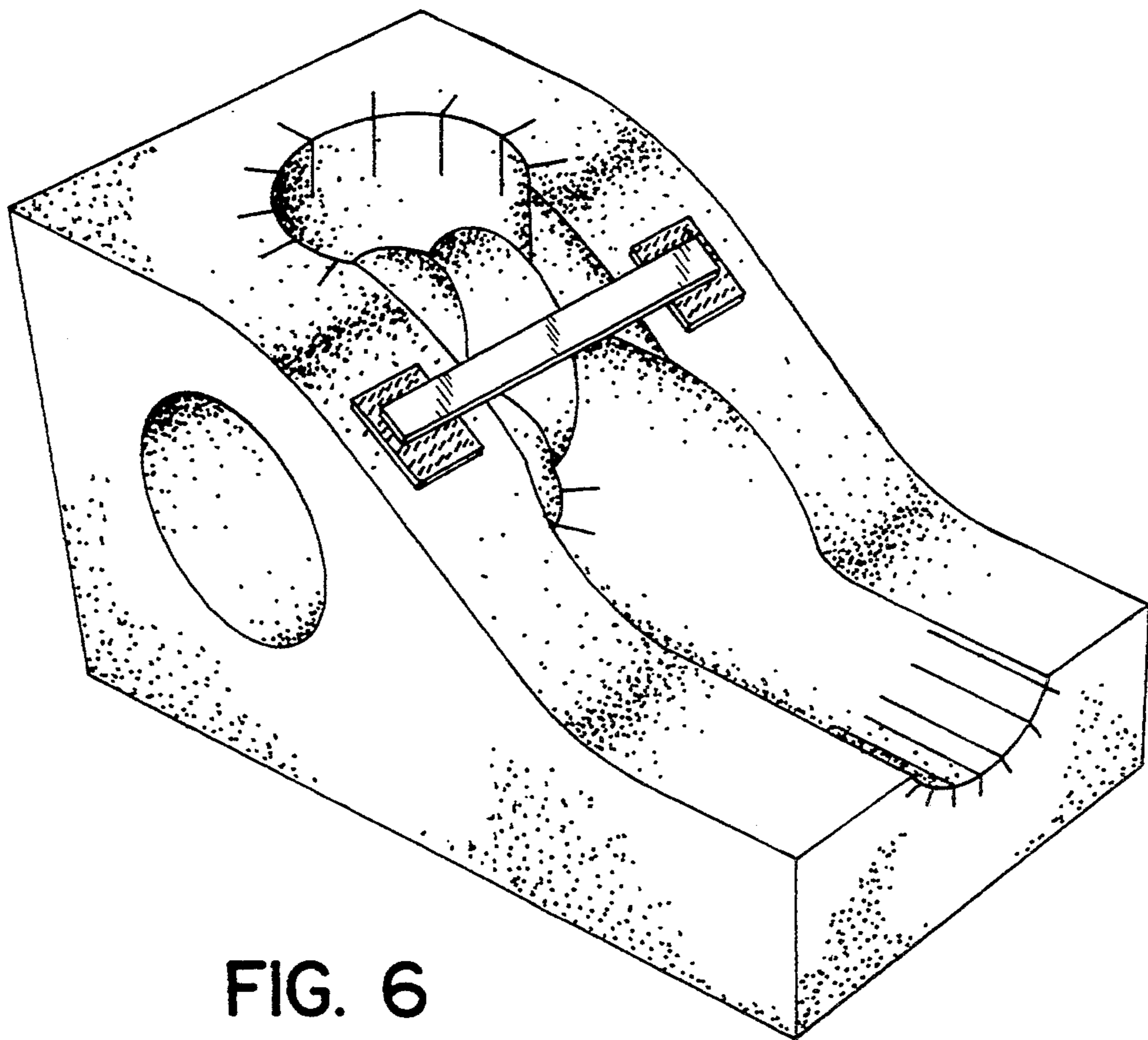


FIG. 6