



US00D359189S

United States Patent [19]
Righini

[11] **Patent Number: Des. 359,189**
[45] **Date of Patent: ** Jun. 13, 1995**

[54] **INFLATABLE FOOT REST**

[76] **Inventor: Roy Righini, 34 Thornleigh Street,
Thornleigh, N.W.S. 2120, Australia**

[**] **Term: 14 Years**

[21] **Appl. No.: 19,203**

[22] **Filed: Feb. 25, 1994**

[30] **Foreign Application Priority Data**

Aug. 30, 1993 [AU] Australia 2637/93

[52] **U.S. Cl.** **D6/604; D6/601;**
D21/237

[58] **Field of Search** D6/601, 604, 595, 596;
D24/184; 297/DIG. 3, 452.41, 423.41; 5/644,
645, 648, 630, 449, 652; D21/237; 441/125;
114/363

[56] **References Cited**

U.S. PATENT DOCUMENTS

D. 282,802 3/1986 Righini D24/184
3,680,917 8/1972 Harris 297/452.41
4,639,960 2/1987 Quillen et al. 297/DIG. 3
5,302,003 4/1994 Xenofos 5/648

FOREIGN PATENT DOCUMENTS

1314885 12/1962 France 5/636

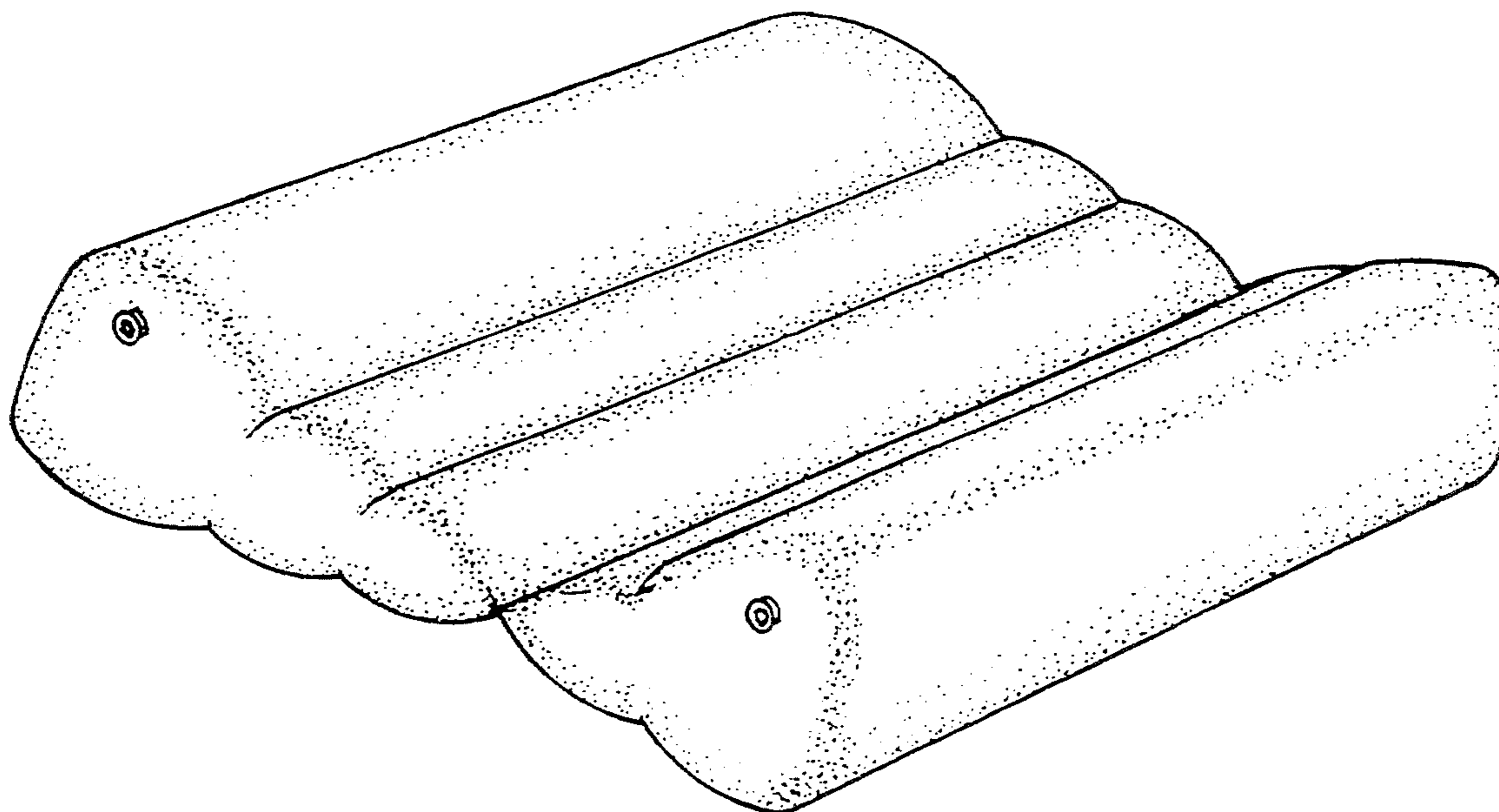
Primary Examiner—Lisa P. Lichtenstein
Attorney, Agent, or Firm—Edwin D. Schindler

[57] **CLAIM**

The ornamental design for an inflatable foot rest, as shown and described.

DESCRIPTION

FIG. 1 is a front perspective view of an inflatable foot rest showing my new design;
FIG. 2 is a rear elevational view thereof;
FIG. 3 is a front elevational view thereof;
FIG. 4 is a bottom plan view thereof; and,
FIG. 5 is an end elevational view thereof, the other end view being a mirror image thereof.



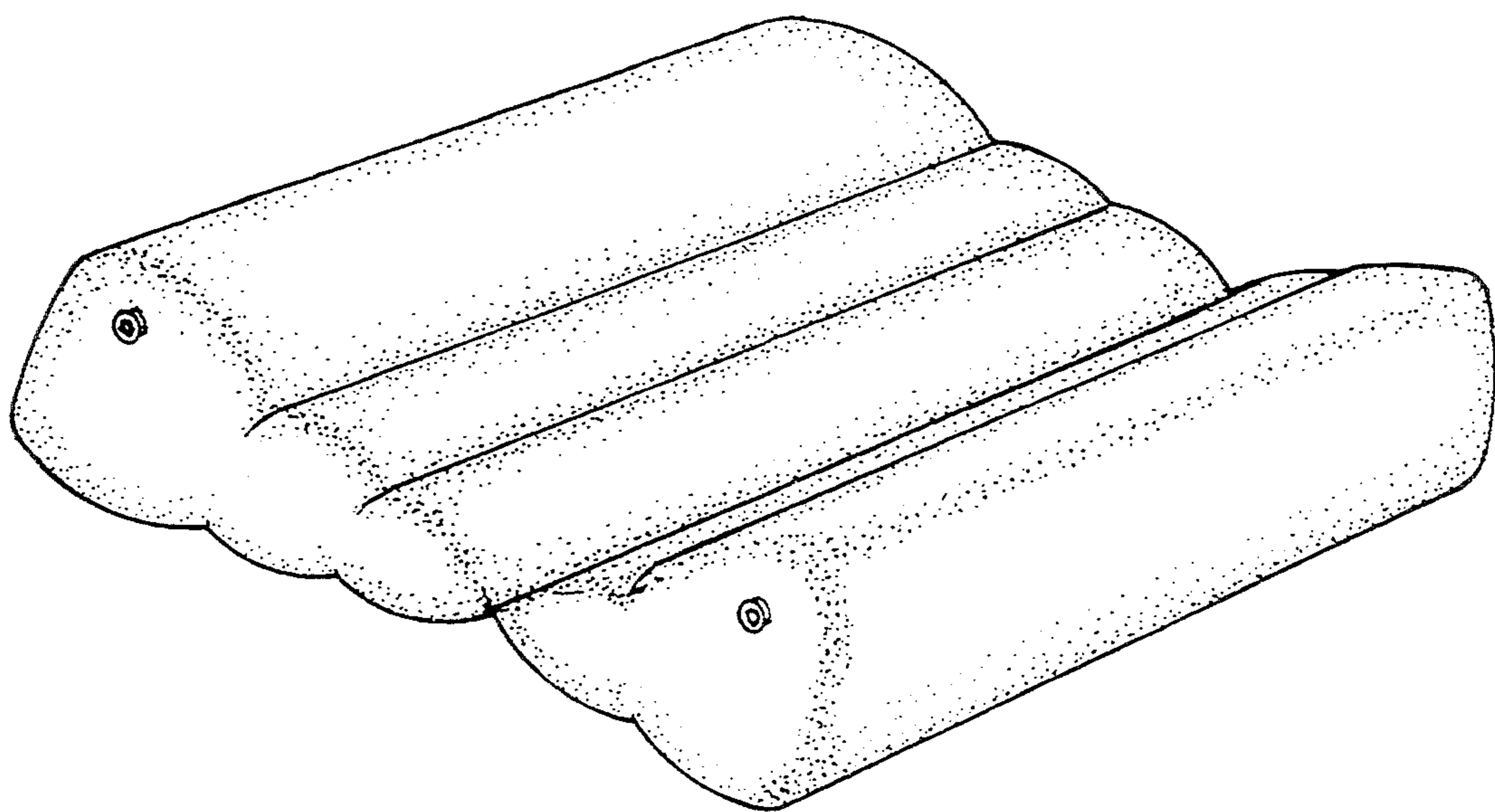


FIG. 1.

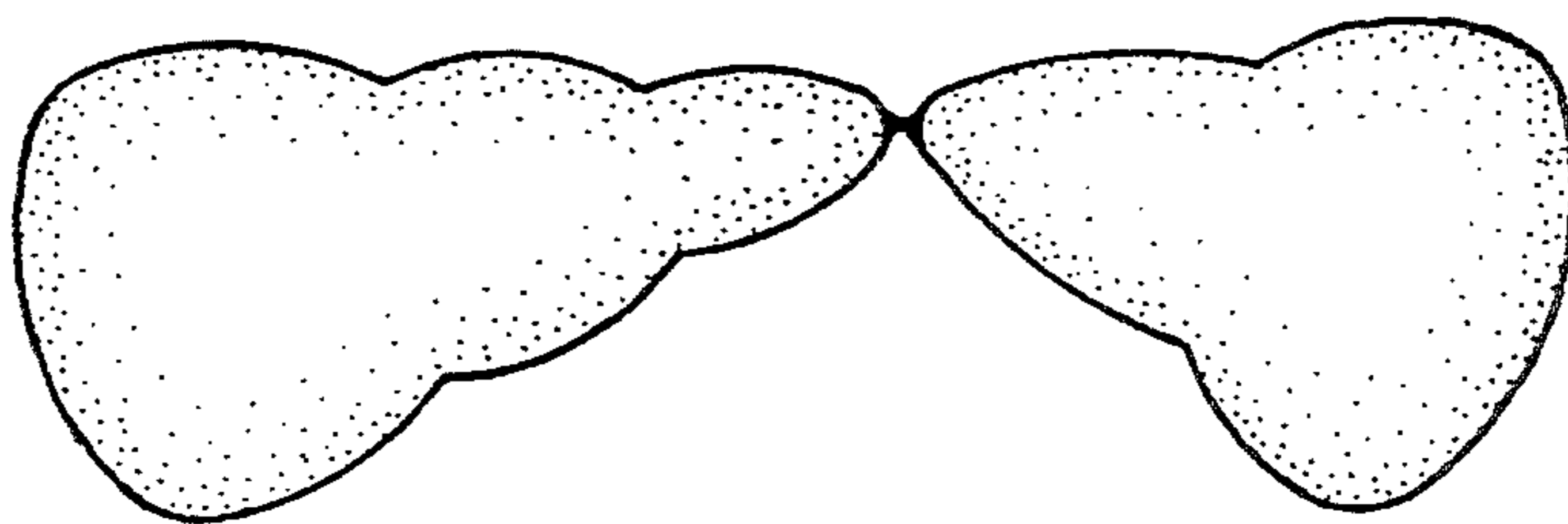


FIG 2

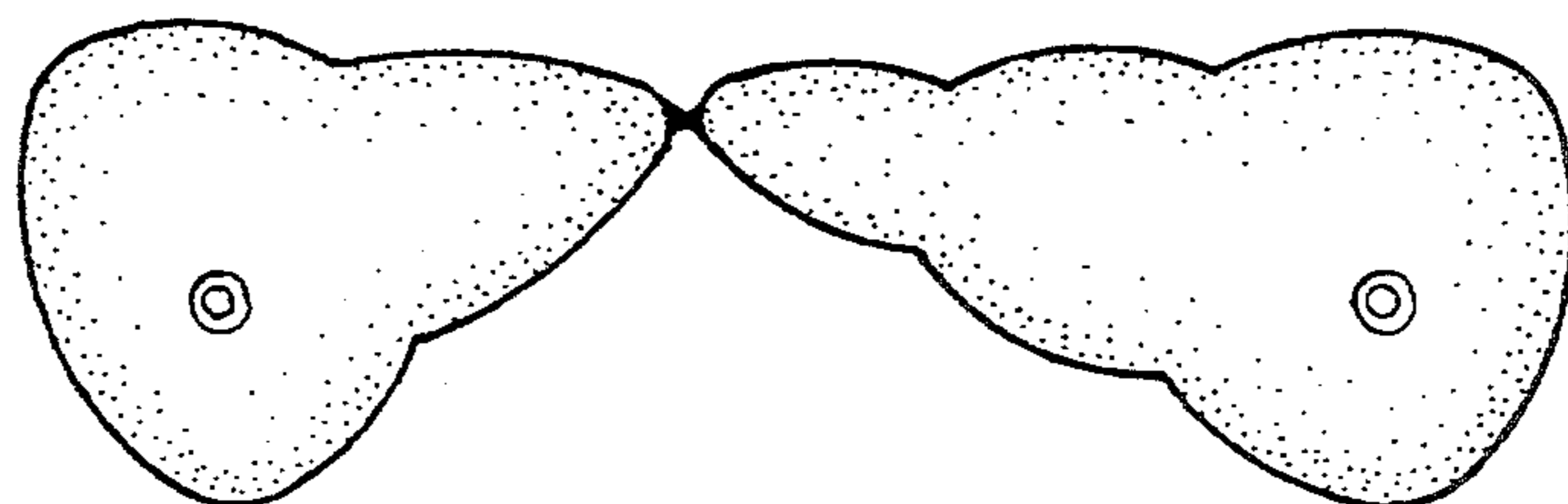


FIG 3

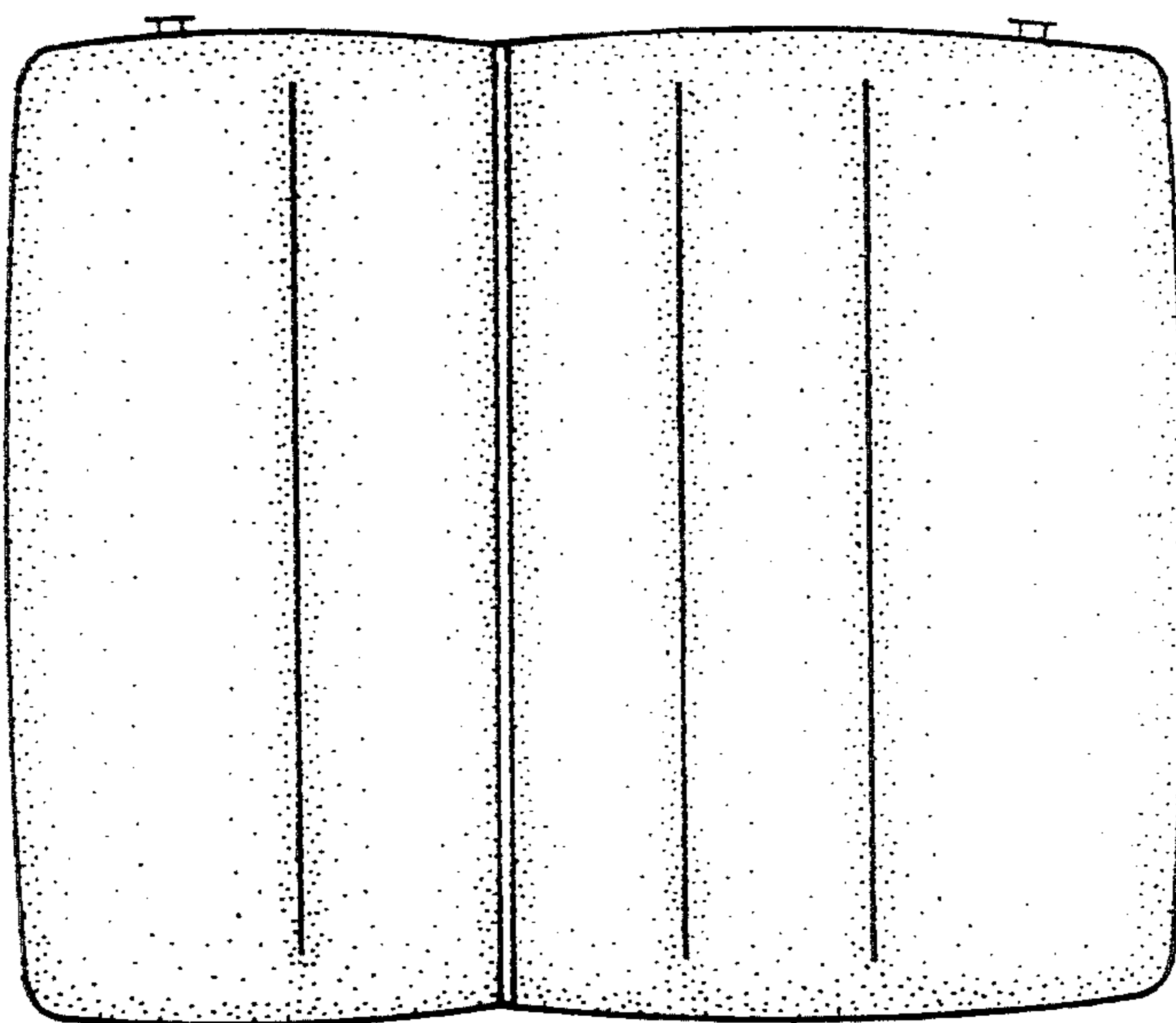


FIG 4

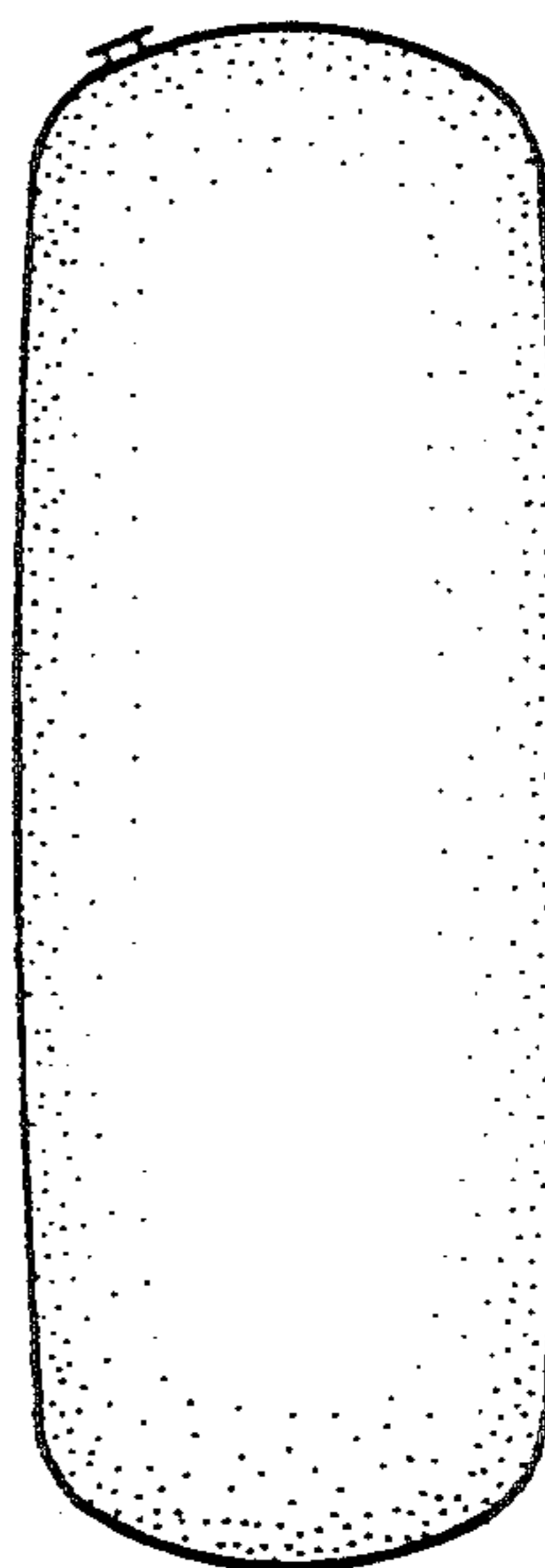


FIG 5