



US00D359188S

# United States Patent [19]

[11] Patent Number: **Des. 359,188**

Clements

[45] Date of Patent: **\*\* Jun. 13, 1995**

[54] **TOOTHPASTE DISPENSER**

4,326,647 4/1982 Pool ..... 222/103  
4,565,303 1/1986 Gilbertson ..... 222/103

[76] Inventor: **Richard L. Clements**, 8716 Austin,  
Boise, Id. 83714

*Primary Examiner*—Brian N. Vinson  
*Attorney, Agent, or Firm*—Frank J. Dykas

[\*\*] Term: **14 Years**

[57] **CLAIM**

[21] Appl. No.: **21,751**

The ornamental design for a toothpaste dispenser, as shown and described.

[22] Filed: **Apr. 22, 1994**

[52] U.S. Cl. .... **D6/541**

**DESCRIPTION**

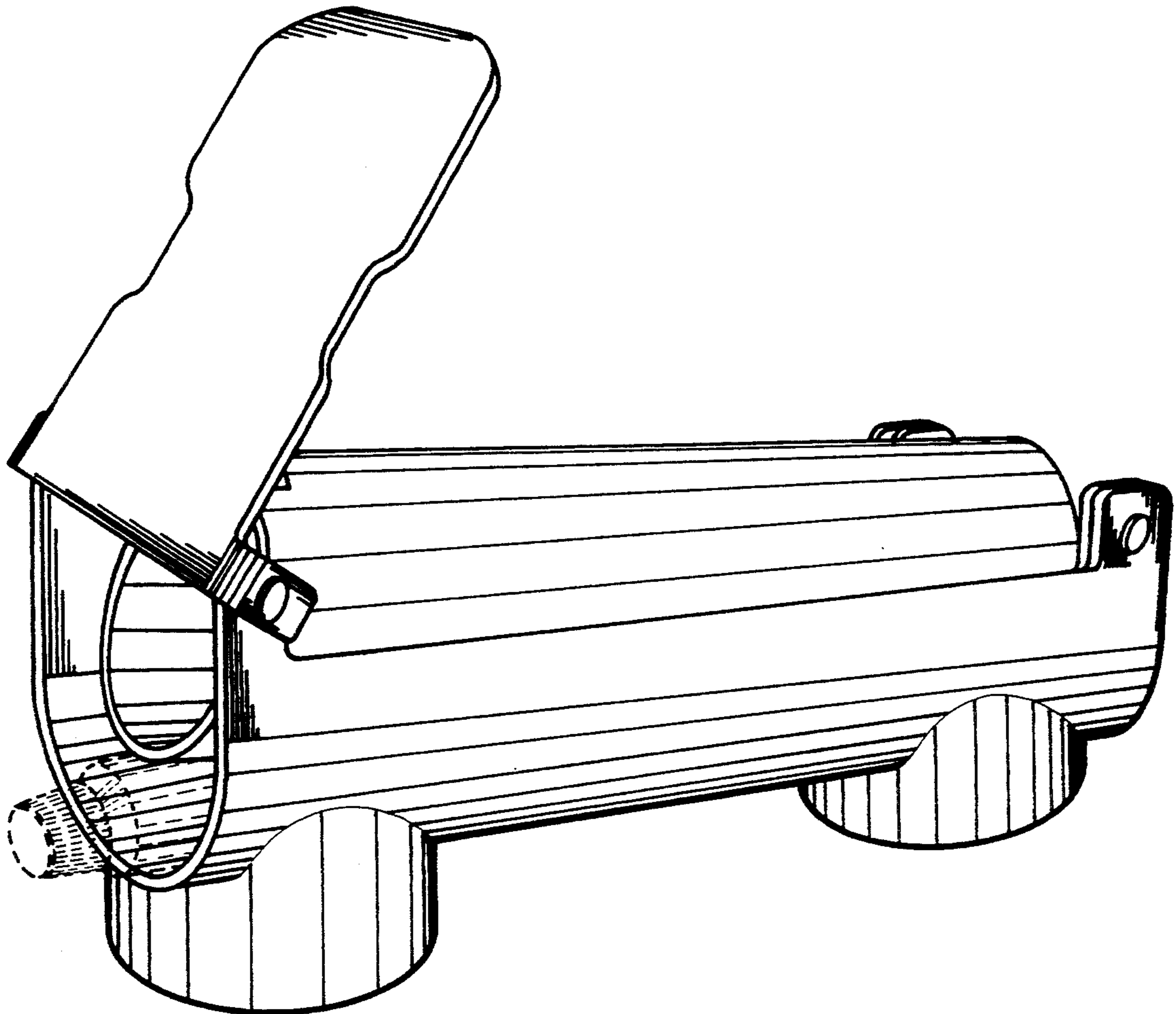
[58] Field of Search ..... D6/542, 541; 206/277;  
222/92, 95, 100-103, 105, 180-181

FIG. 1 is a perspective view of a toothpaste dispenser according to my design;  
FIG. 2 is a first side view of the toothpaste dispenser;  
FIG. 3 is a second side view of the toothpaste dispenser;  
FIG. 4 is a bottom view of the toothpaste dispenser;  
FIG. 5 is a top view of the toothpaste dispenser;  
FIG. 6 is a front end view of the toothpaste dispenser;  
and,  
FIG. 7 is a back end view of the toothpaste dispenser.

[56] **References Cited**

**U.S. PATENT DOCUMENTS**

2,674,392 4/1954 Kunz ..... 222/80  
2,763,401 9/1956 Buras ..... 222/163  
2,781,951 2/1957 Hanford ..... 222/103  
3,257,037 6/1966 Watson, Jr. .... 222/96



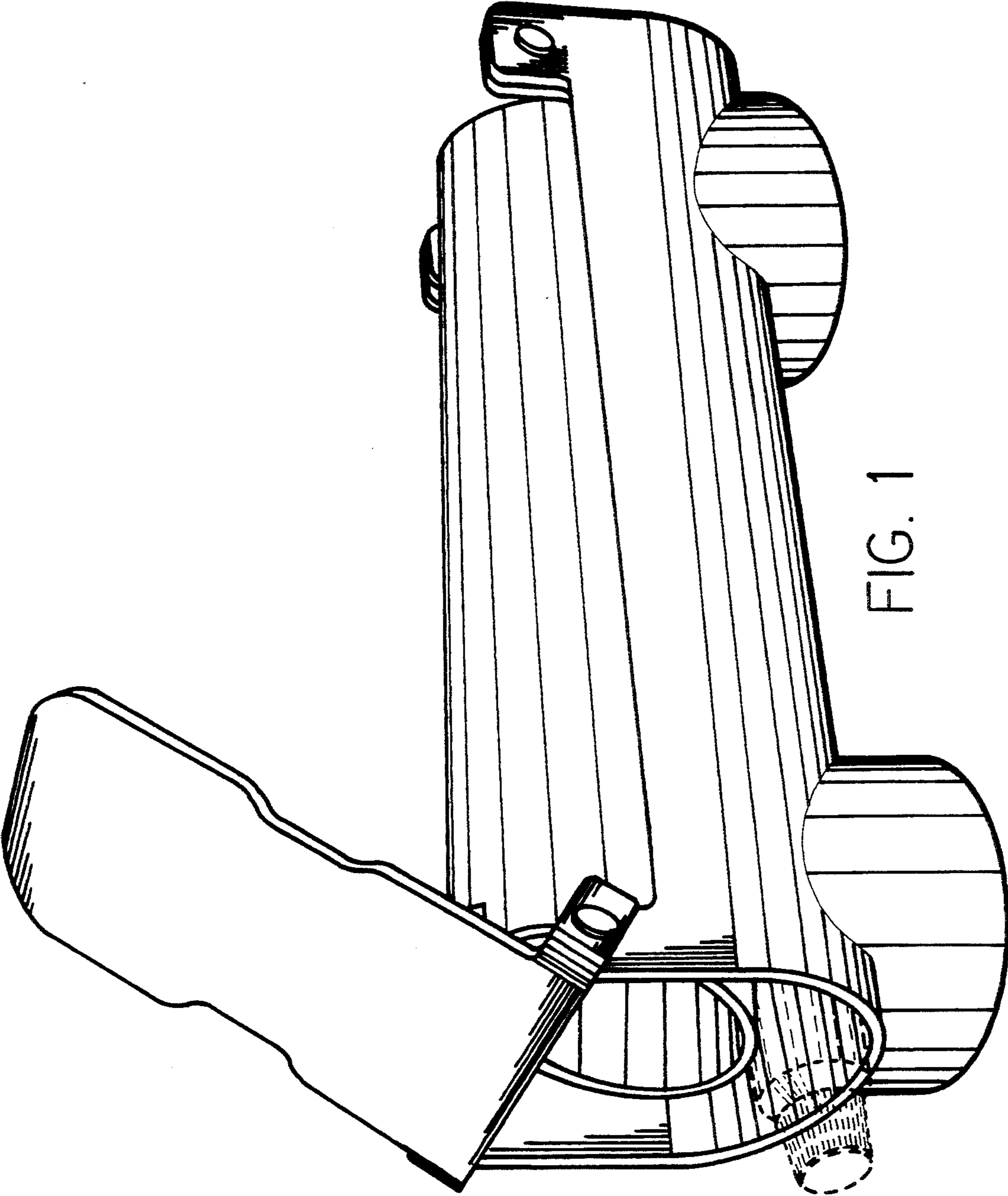


FIG. 1

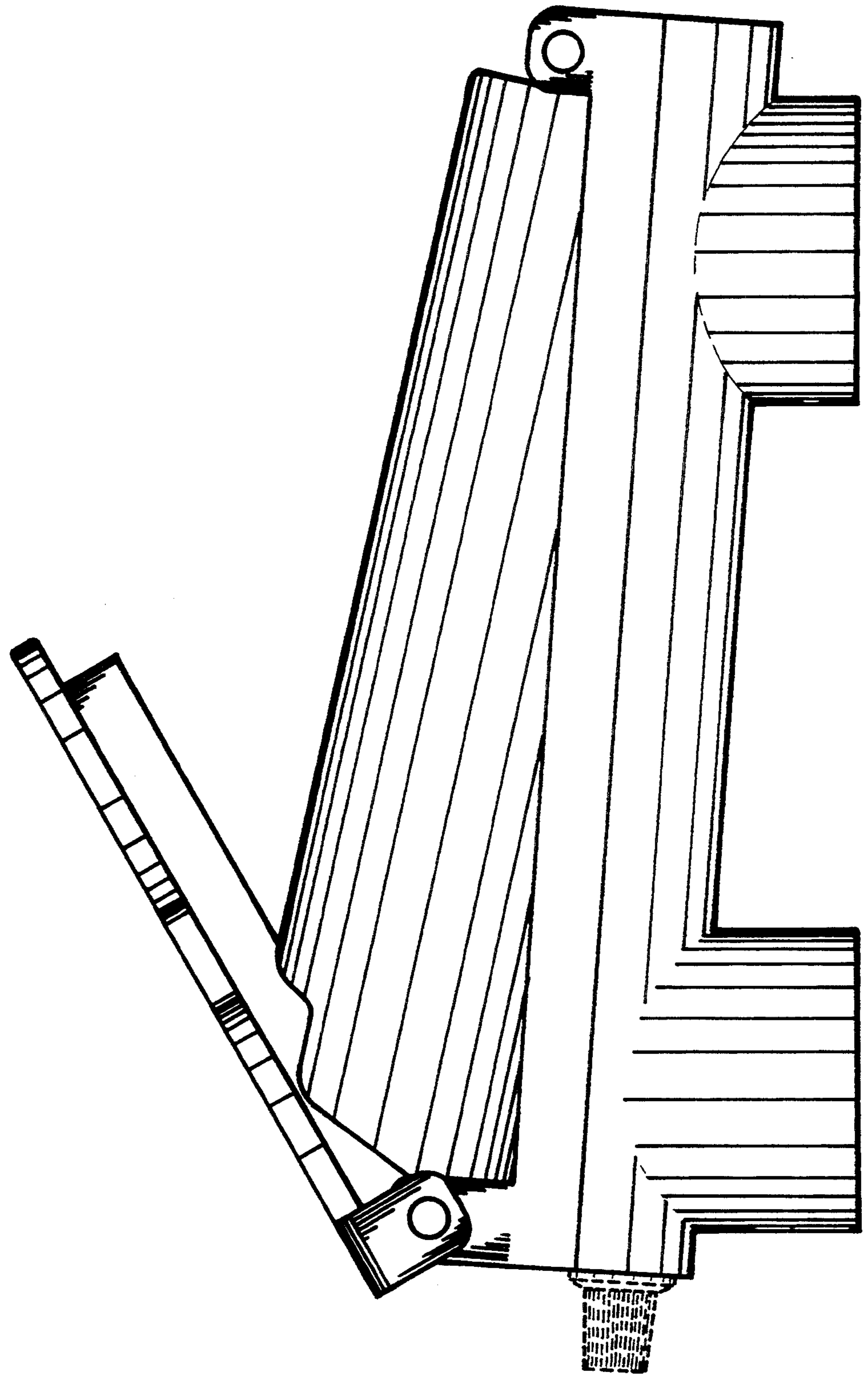


FIG. 2

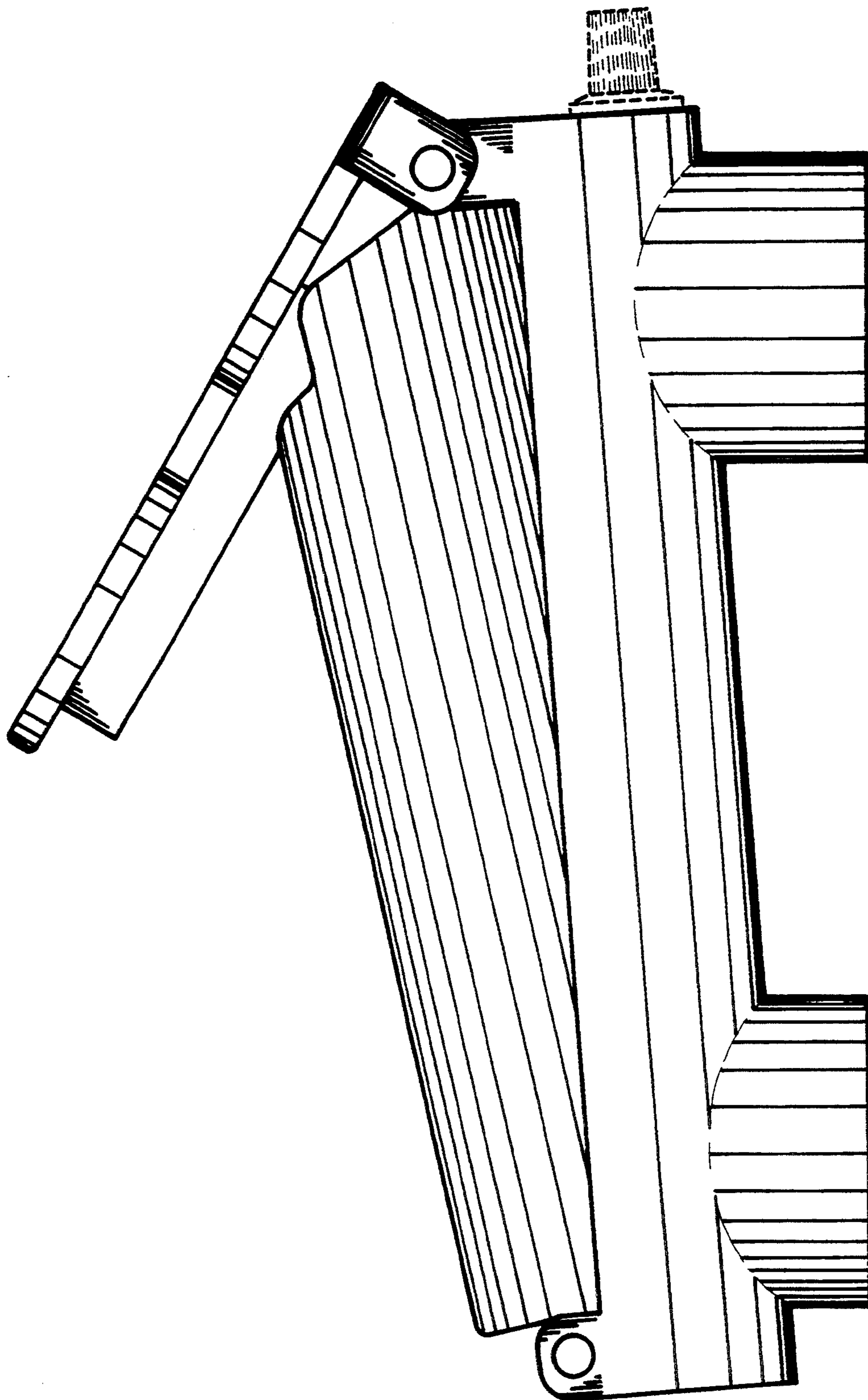


FIG. 3

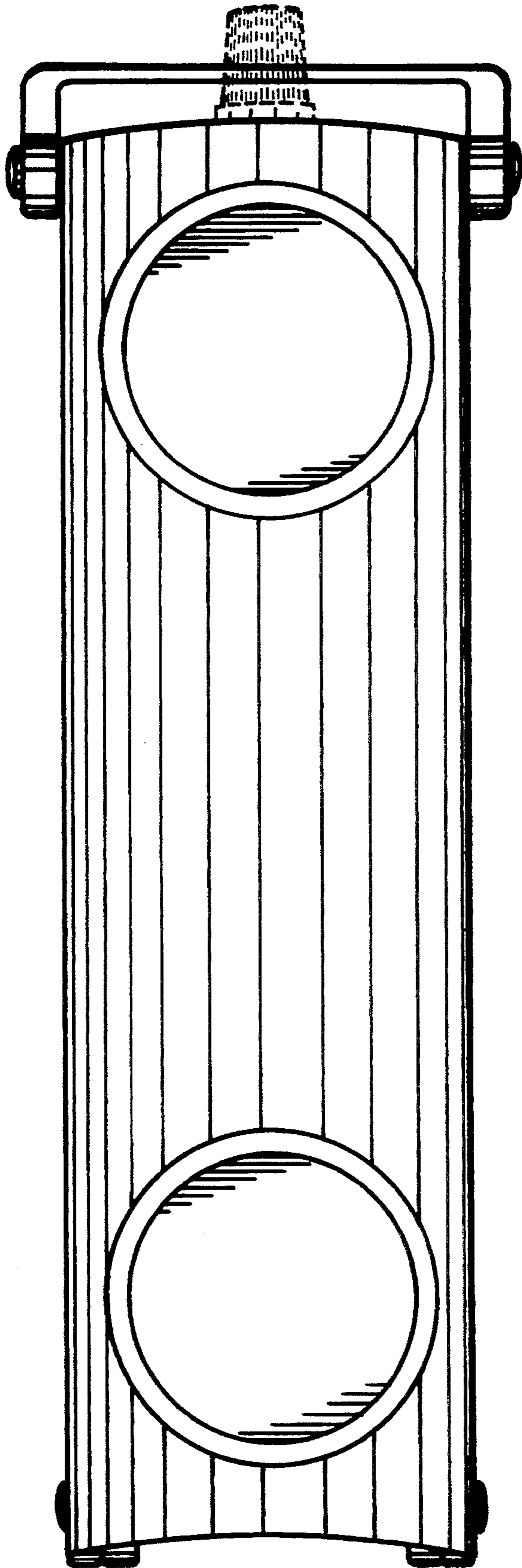


FIG. 4

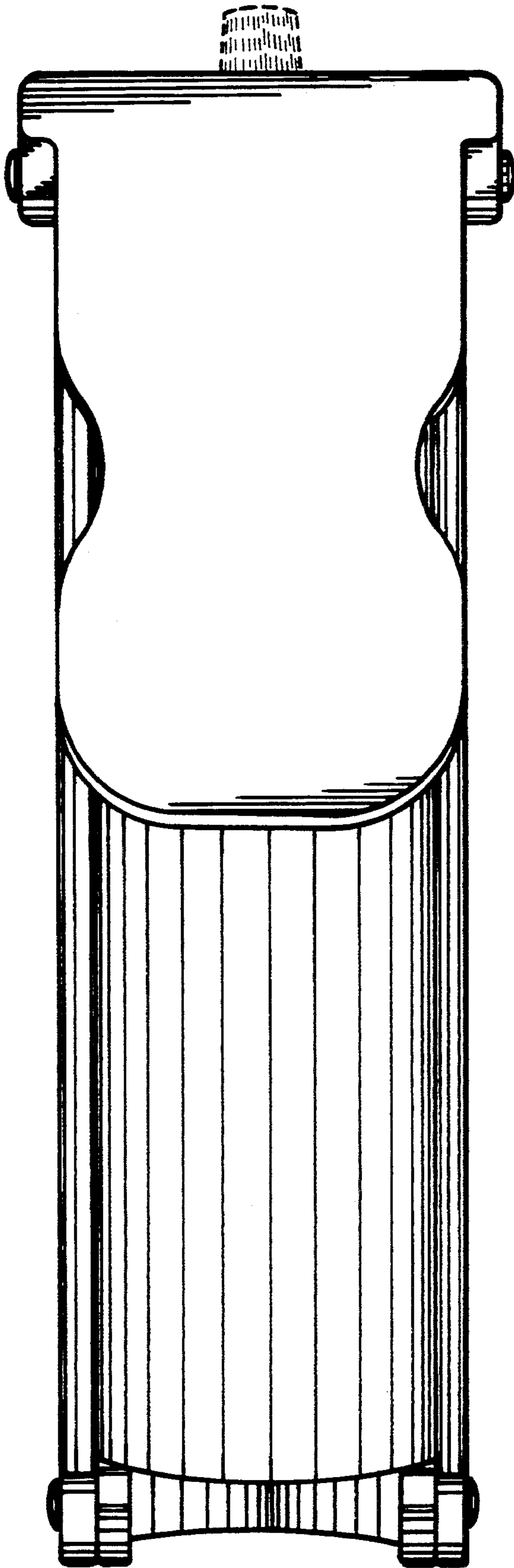


FIG. 5

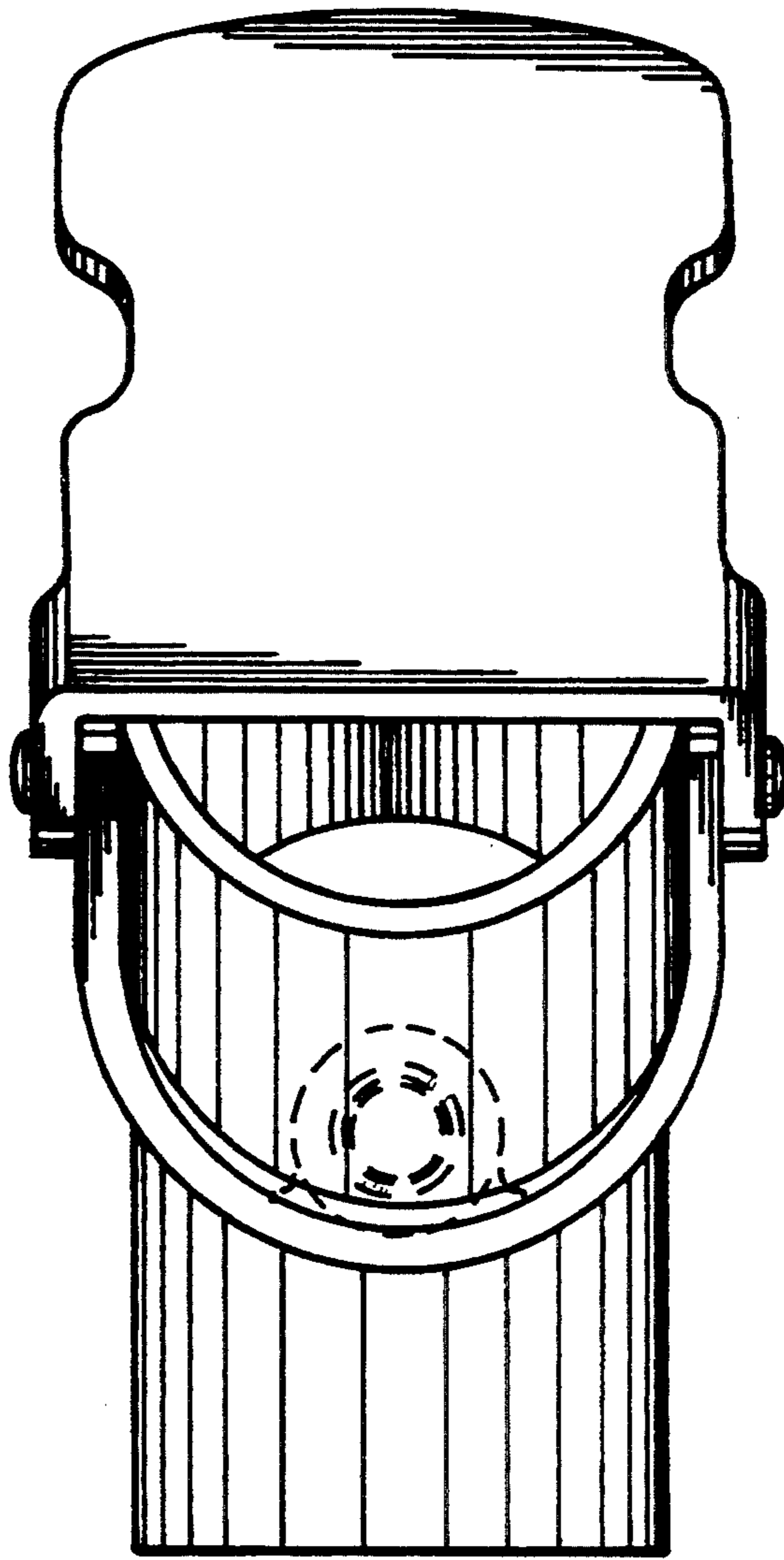


FIG. 6

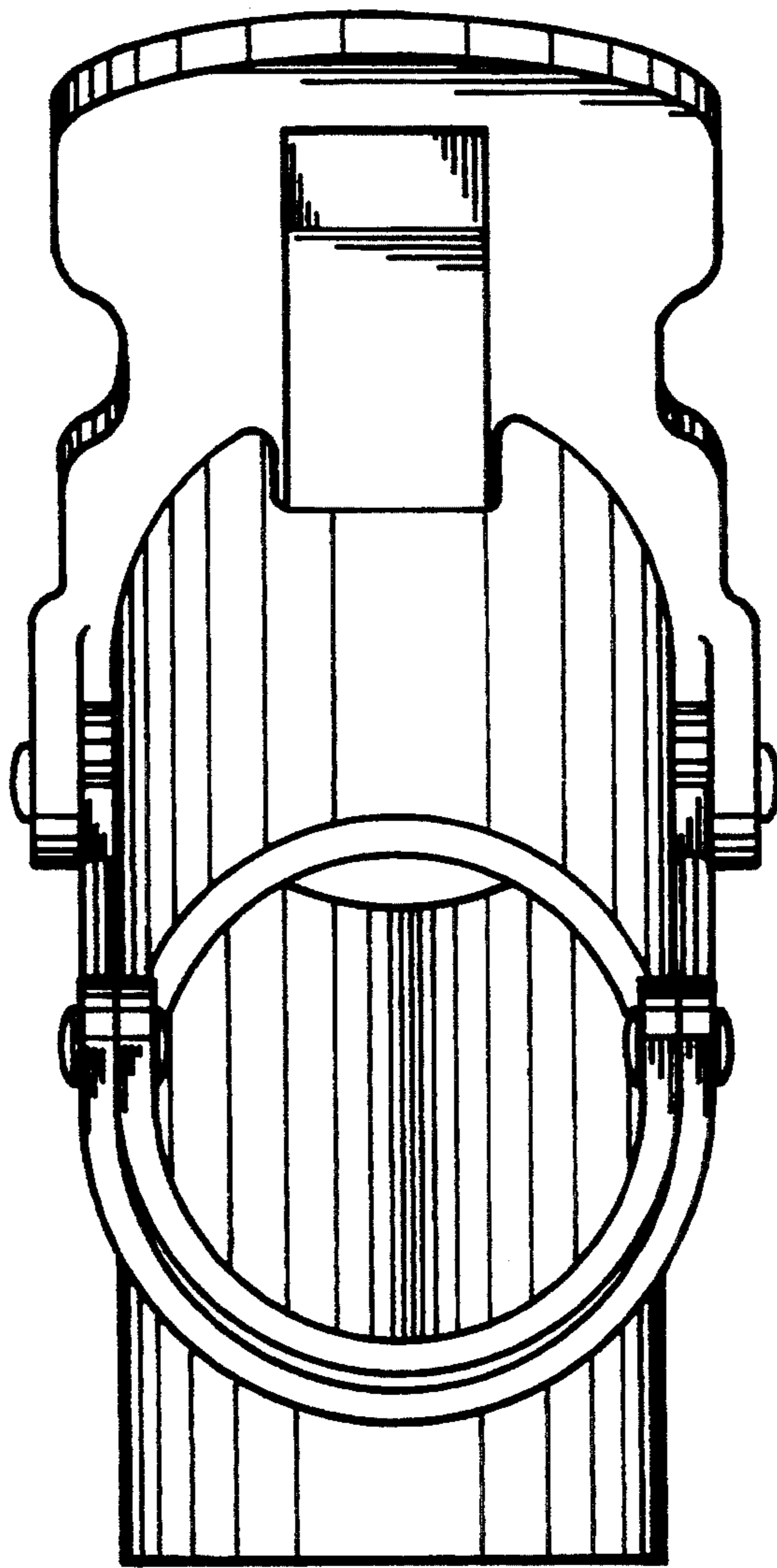


FIG. 7