



US00D359186S

United States Patent [19]

[11] Patent Number: **Des. 359,186**

Wang

[45] Date of Patent: **** Jun. 13, 1995**

[54] **DRESSER SHELF FOR BATH ROOM**

D. 264,158 5/1982 Thompson D6/525
D. 323,089 1/1992 Koerbel D6/525
4,472,843 9/1984 Cermak D6/525 X

[76] Inventor: **Sung-Shun Wang**, 58, Ma Yuan West St., Taichung, Taiwan, Prov. of China

Primary Examiner—Brian N. Vinson

[**] Term: **14 Years**

[57] **CLAIM**

[21] Appl. No.: **27,047**

The ornamental design for a dresser shelf for bath room, as shown and described.

[22] Filed: **Aug. 11, 1994**

DESCRIPTION

[52] U.S. Cl. **D6/525; D6/527**

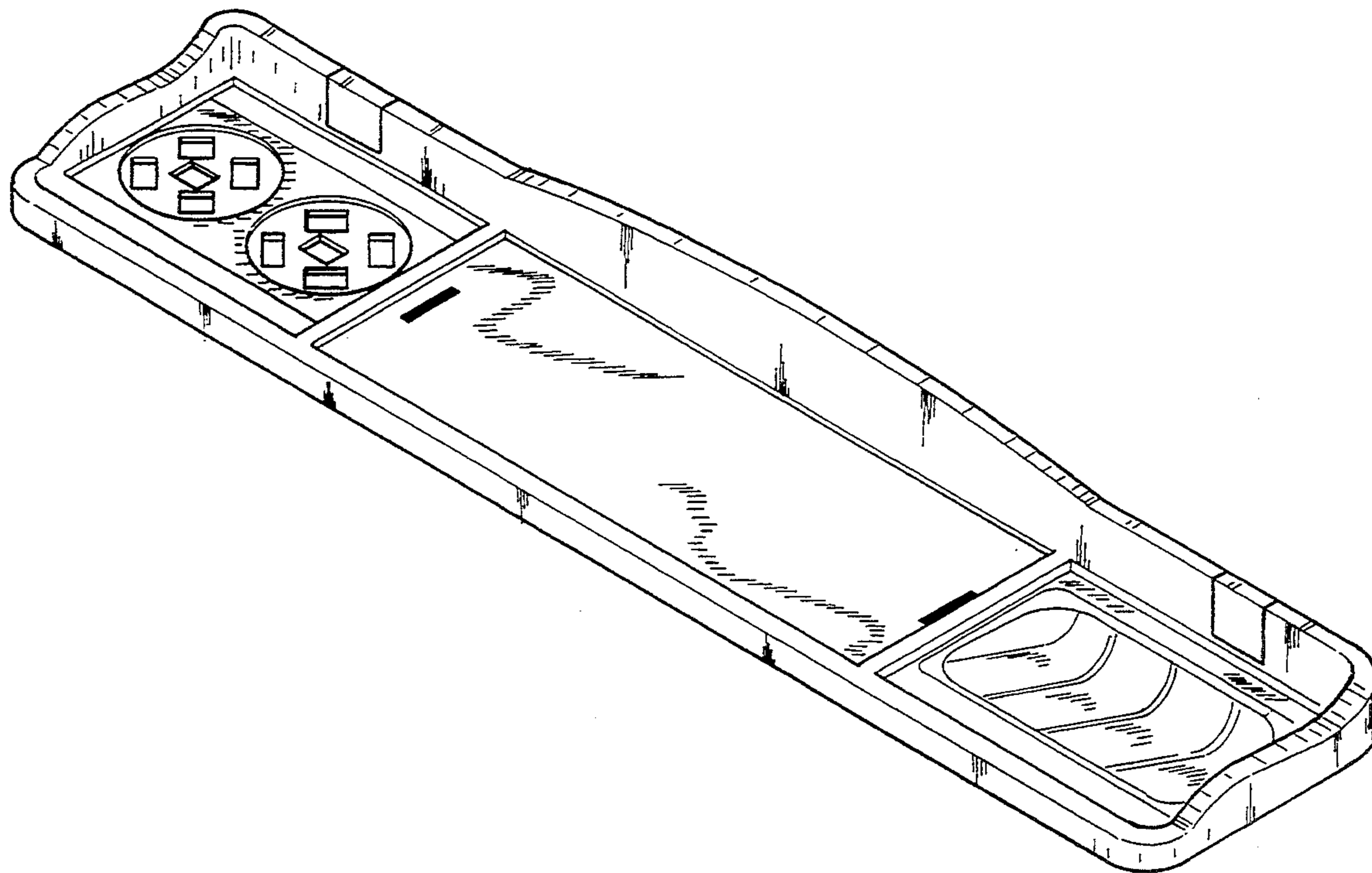
[58] Field of Search D6/525, 527-529, D6/532, 534, 536; 4/605, 559, 630; 108/25, 28, 136; 211/13, 71, 70.6, 86, 126, 134

FIG. 1 is a perspective view of a dresser shelf for bath room showing my new design;
FIG. 2 is a front elevational view thereof;
FIG. 3 is a rear elevational view thereof;
FIG. 4 is a right side elevational view thereof;
FIG. 5 is a left side elevational view thereof;
FIG. 6 is a top plan view thereof; and,
FIG. 7 is a bottom plan view thereof.

[56] **References Cited**

U.S. PATENT DOCUMENTS

D. 250,305 11/1978 Primiano et al. D6/525



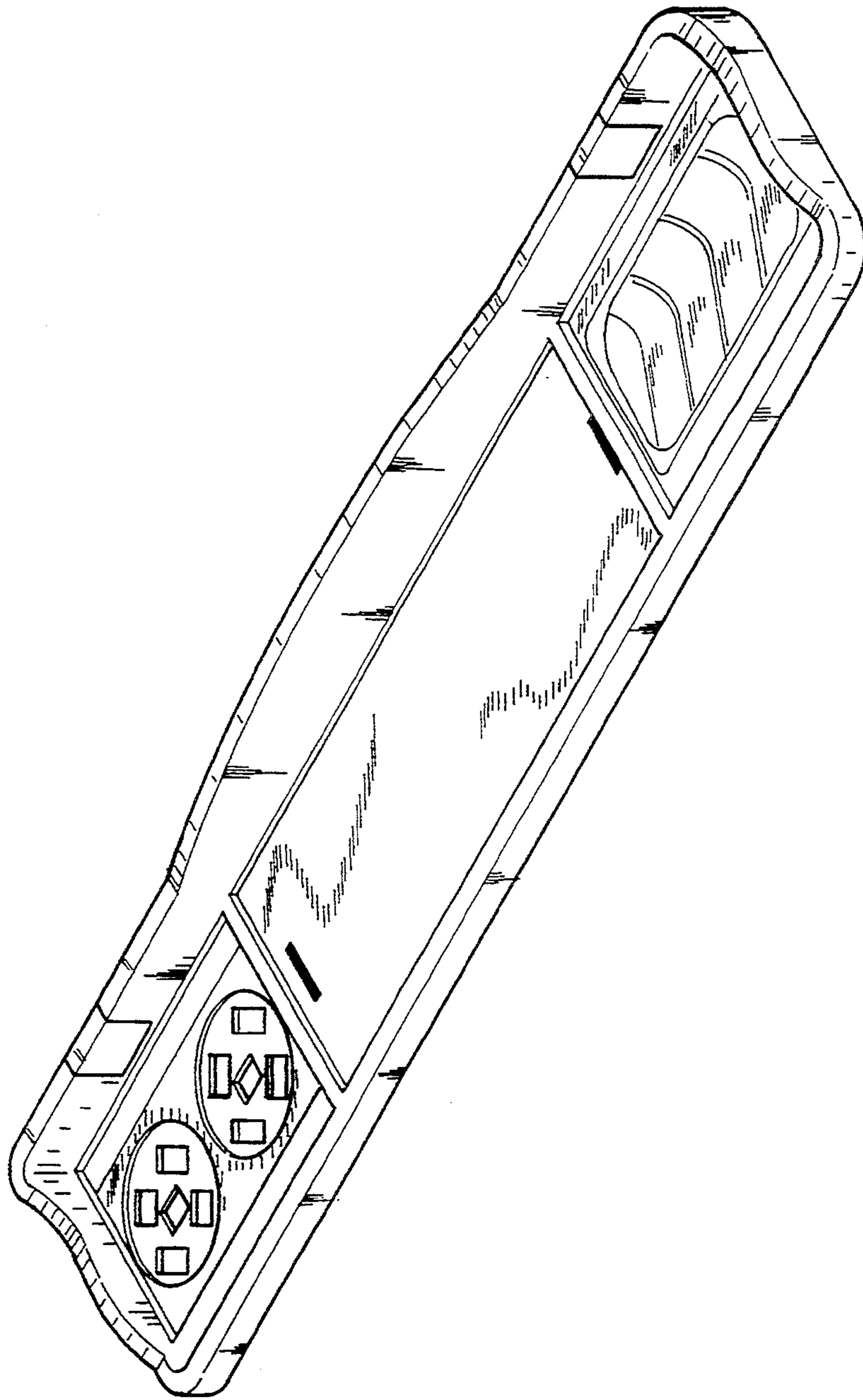


FIG.1



FIG. 2

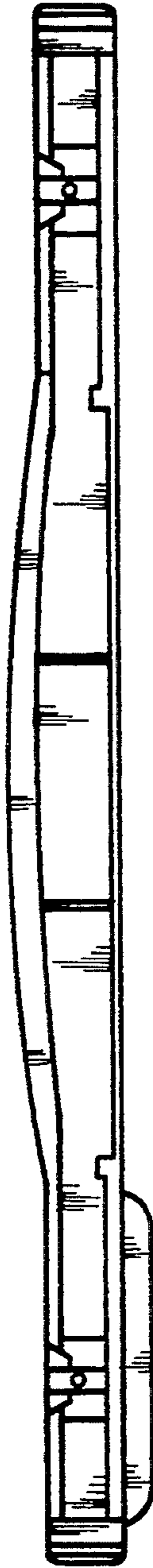


FIG.3

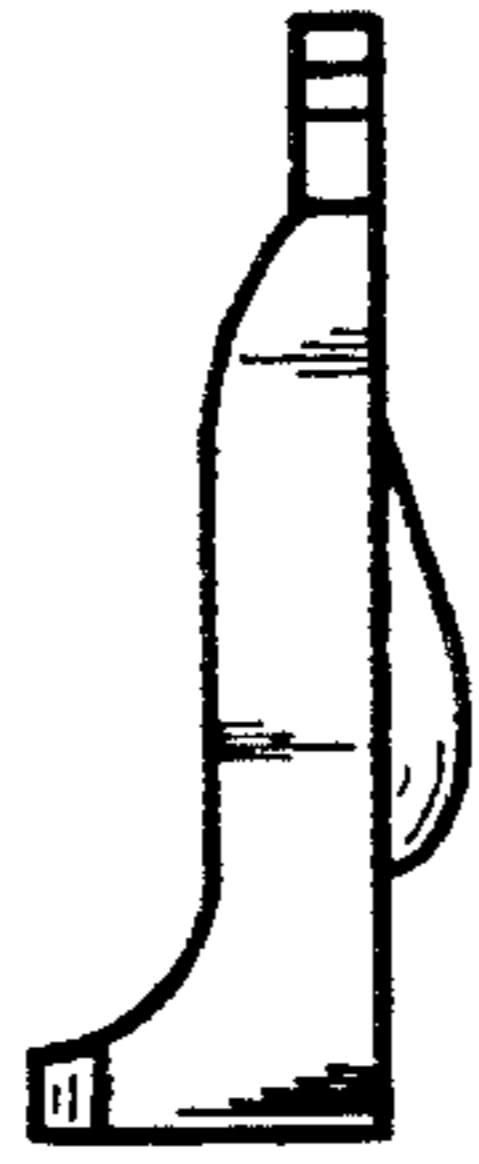


FIG. 5



FIG. 4

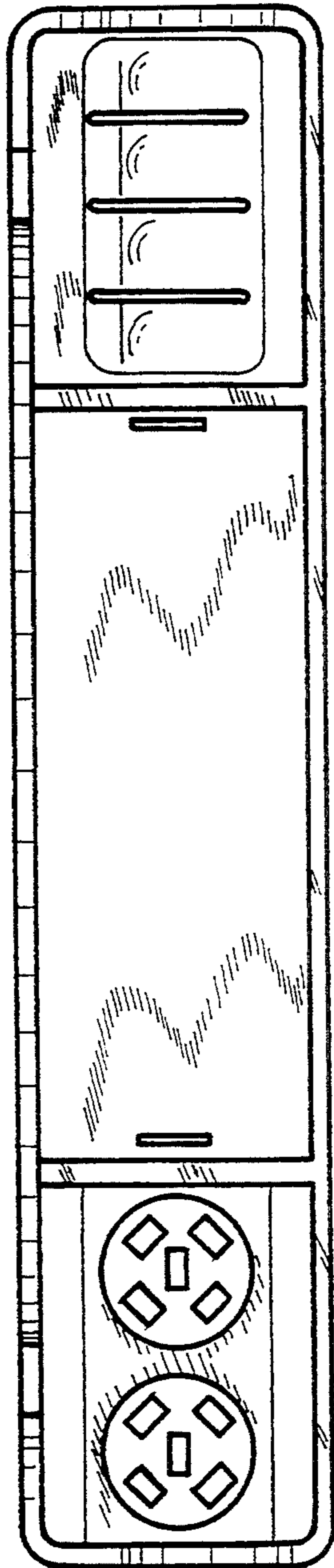


FIG. 6

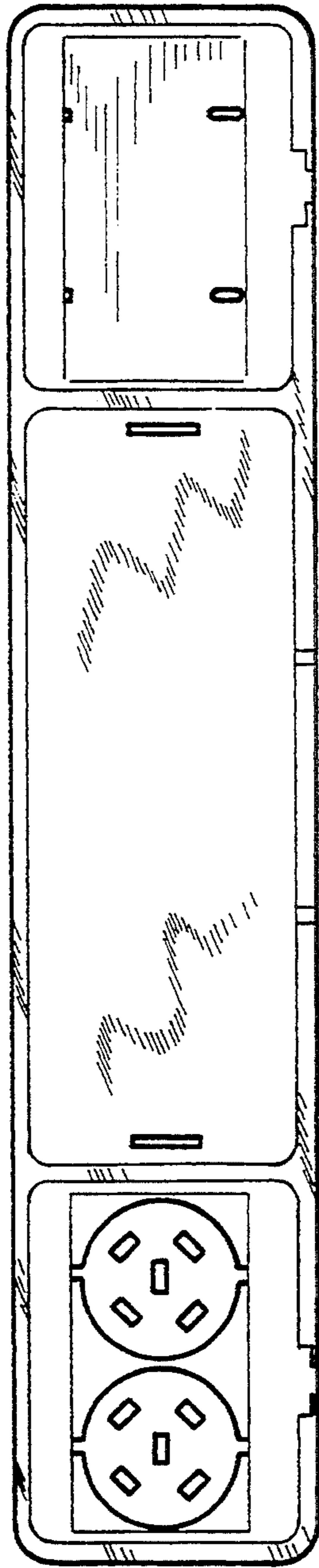


FIG. 7