



US00D359182S

# United States Patent [19]

Von Gunten et al.

[11] Patent Number: **Des. 359,182**

[45] Date of Patent: **\*\* Jun. 13, 1995**

[54] **SHELF STRUCTURE**

[76] Inventors: **Judy Von Gunten; Lee von Gunten,**  
both of 64 Newtown Dr., Buffalo  
Grove, Ill. 60089

[\*\*] Term: **14 Years**

[21] Appl. No.: **17,301**

[22] Filed: **Jan. 10, 1994**

[52] U.S. Cl. .... **D6/491; D6/496;**  
**D6/499; D6/509**

[58] Field of Search ..... **D6/495, 499, 479, 491-494,**  
**D6/461, 465, 509; 211/134, 187, 153; 248/188,**  
**188.1, 163.1; D32/66**

[56] **References Cited**

**U.S. PATENT DOCUMENTS**

- D. 295,478 5/1988 Helmholdt et al. .... D6/479 X
- D. 339,936 10/1993 Gunter et al. .... D6/499 X
- D. 340,157 10/1993 Von Gunten et al. .... D6/491

- 2,854,148 9/1958 Mattos et al. .... D32/66
- 3,221,894 12/1965 Knuth ..... 211/134
- 3,303,936 2/1967 Barnawell ..... D6/479
- 3,527,353 9/1970 Farren ..... 211/187 X
- 4,746,021 5/1988 Helmholdt et al. .... 211/187 X

*Primary Examiner*—Janice E. Seeger  
*Attorney, Agent, or Firm*—Paul H. Gallagher

[57] **CLAIM**

The ornamental design for the shelf structure, as shown and described.

**DESCRIPTION**

FIG. 1 is a perspective view of a shelf structure, showing our new design, the broken lines are for environmental purposes only and form no part of the claimed design;

FIG. 2 is a face view from the right, or from the left, of FIG. 1;

FIG. 3 is a side view;

FIG. 4 is a top view; and,

FIG. 5 is a bottom view.

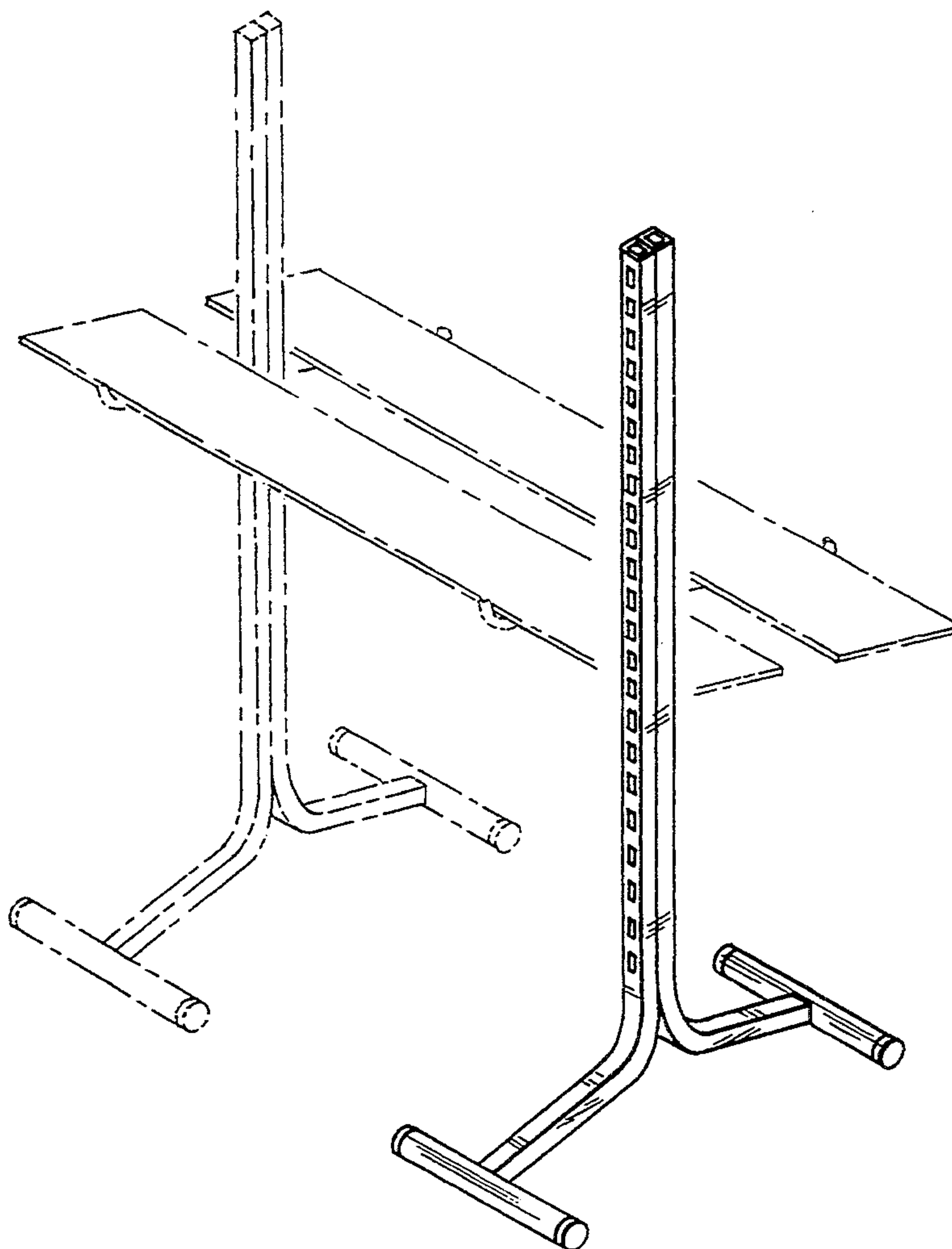


Fig. 2

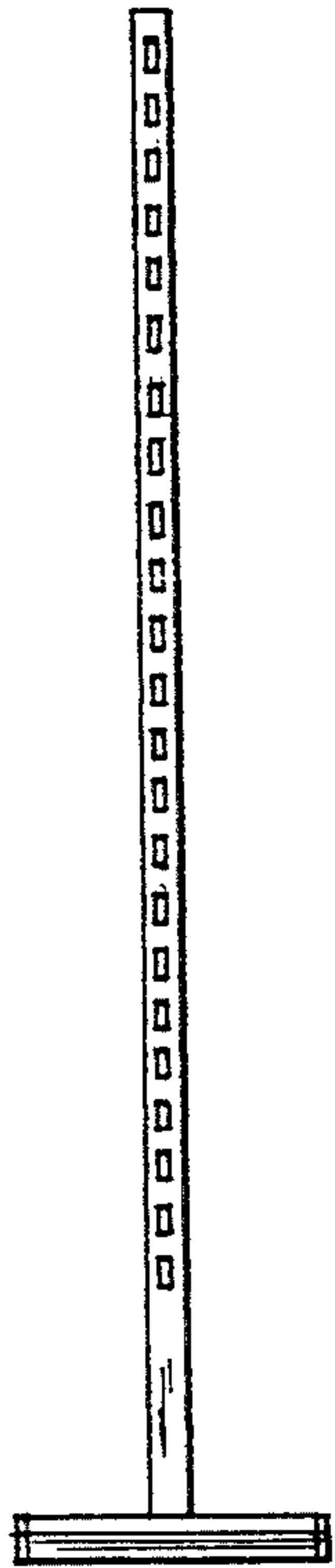


Fig. 1

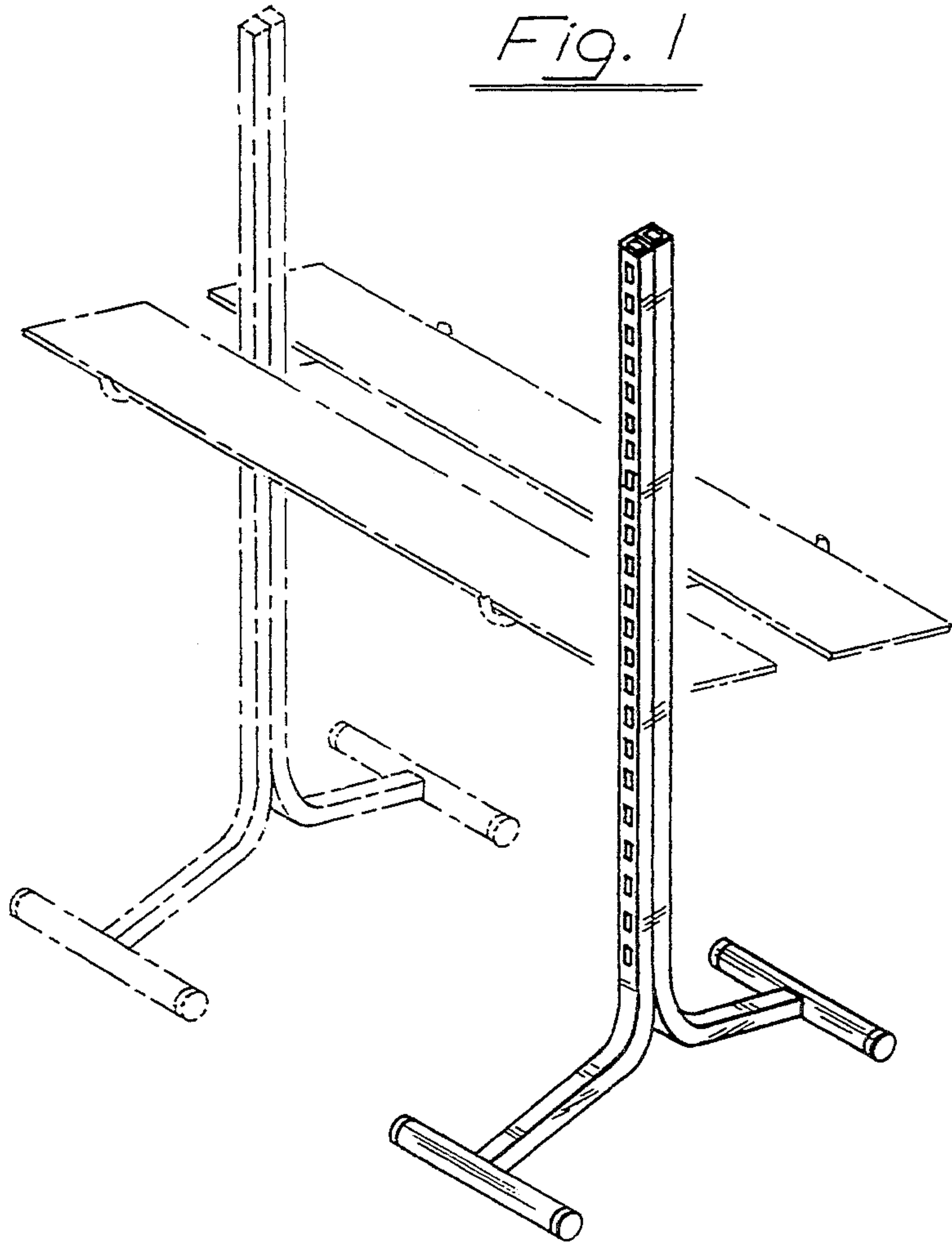


Fig. 3

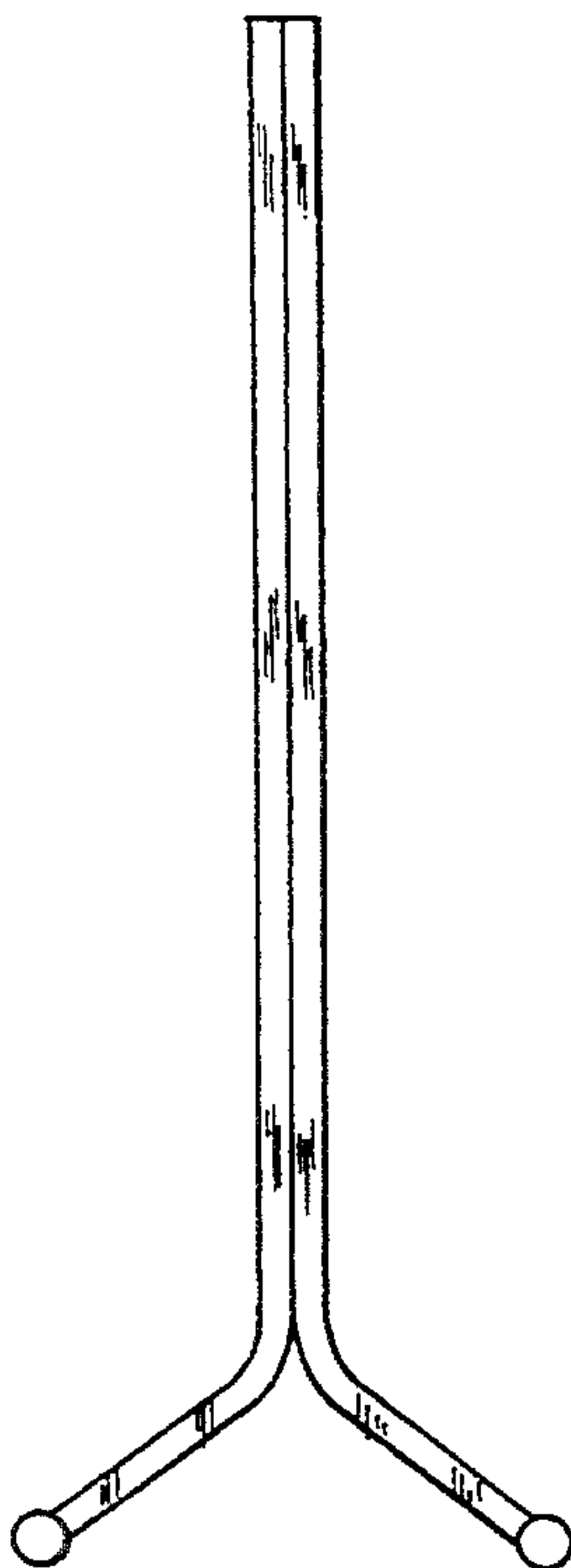


Fig. 4

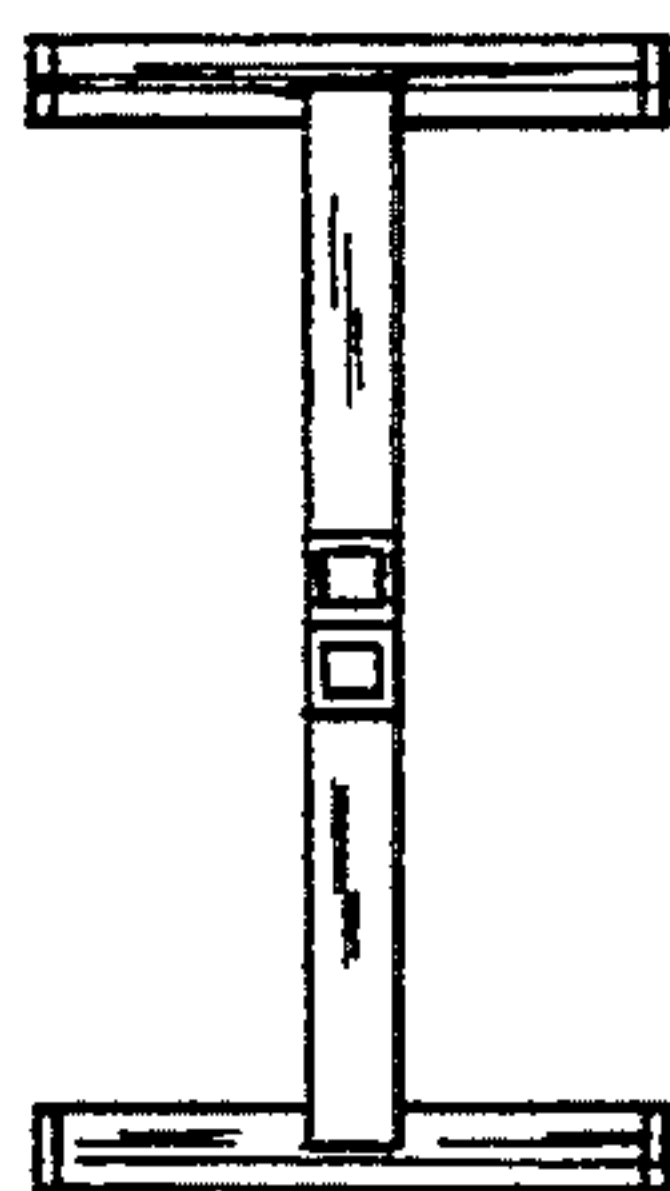


Fig. 5

