



US00D359181S

United States Patent [19]

[11] Patent Number: **Des. 359,181**

Leveen et al.

[45] Date of Patent: **** Jun. 13, 1995**

[54] **CONTAINER FOR READING MATERIALS AND SMALL ARTICLES**

[75] Inventors: **Steven Leveen; Lori G. Leveen**, both of Boca Raton; **Israel Pycher**, Plantation; **Chris Roncone**, Lake Worth; **Laura McColskey**, Palm Beach Gardens, all of Fla.

[73] Assignee: **Levenger Company**, Delray Beach, Fla.

[**] Term: **14 Years**

[21] Appl. No.: **12,762**

[22] Filed: **Sep. 9, 1993**

[52] U.S. Cl. **D6/475**

[58] Field of Search **D6/475, 476, 474, 449, D6/525; D28/61, 73, 76; D21/54; 206/45, 45.11, 45.13, 315.9, 424, 503; D9/341**

[56] **References Cited**

U.S. PATENT DOCUMENTS

D. 129,171	8/1941	Hutchings	D6/476 X
D. 130,598	12/1941	Fisher, Jr. et al.	D6/476 X
D. 138,130	6/1944	Goodin	D6/476 X
3,240,385	3/1966	Gits	D9/341 X
3,281,010	10/1966	Moore et al.	D9/341 X
4,895,256	1/1990	Johnston	206/503 X

Primary Examiner—Alan P. Douglas

Assistant Examiner—S. Snapp

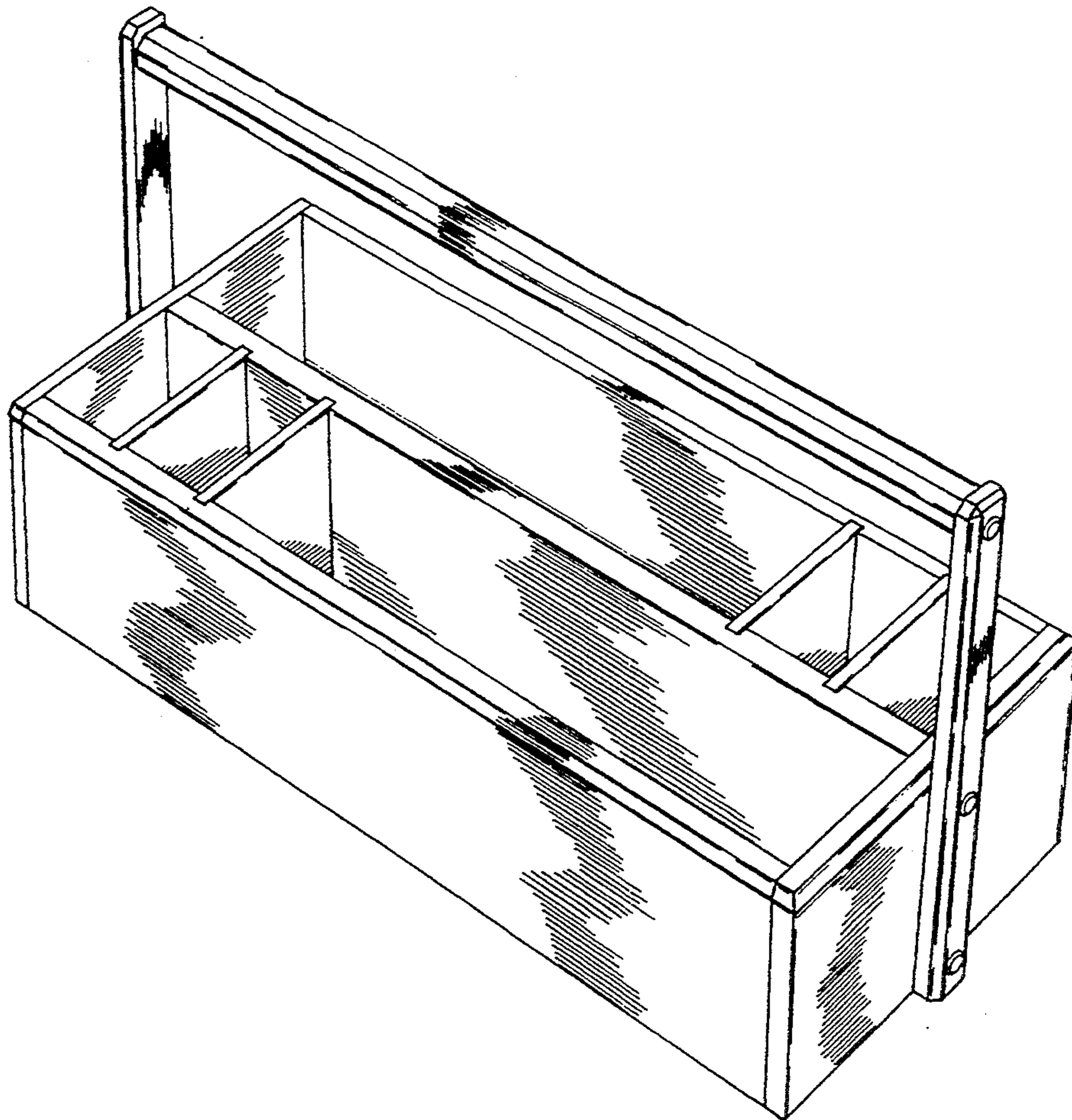
Attorney, Agent, or Firm—Quarles & Brady

[57] **CLAIM**

The ornamental design for a container for reading materials and small articles, as shown and described.

DESCRIPTION

FIG. 1 is a perspective view showing our new design; FIG. 2 is a front elevation, the rear elevation being the mirror image of the front elevation; FIG. 3 is a side elevation, the opposite side elevation being the mirror image of this elevation; FIG. 4 is a top plan view; and, FIG. 5 is a bottom view.



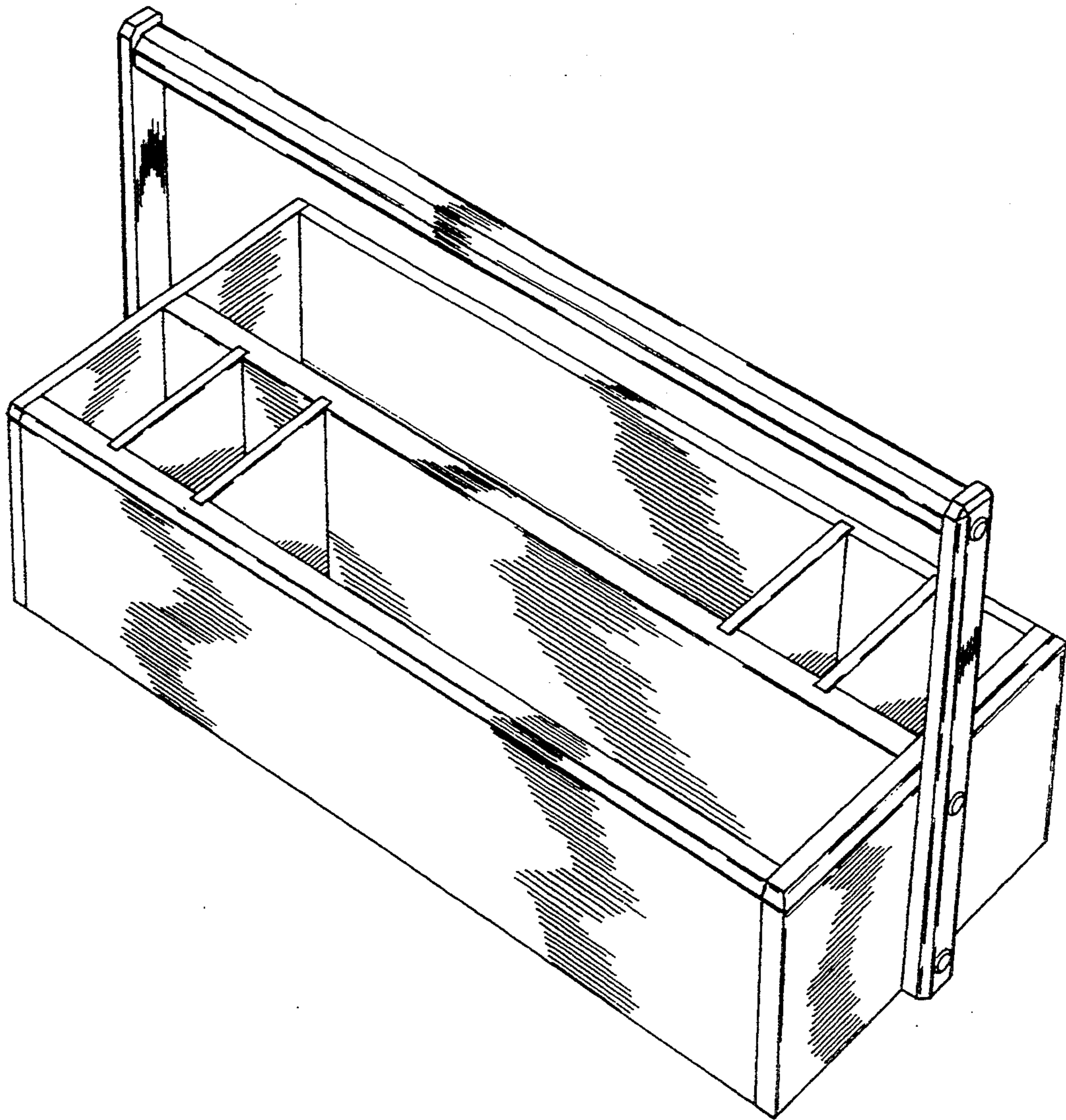


FIG. 1

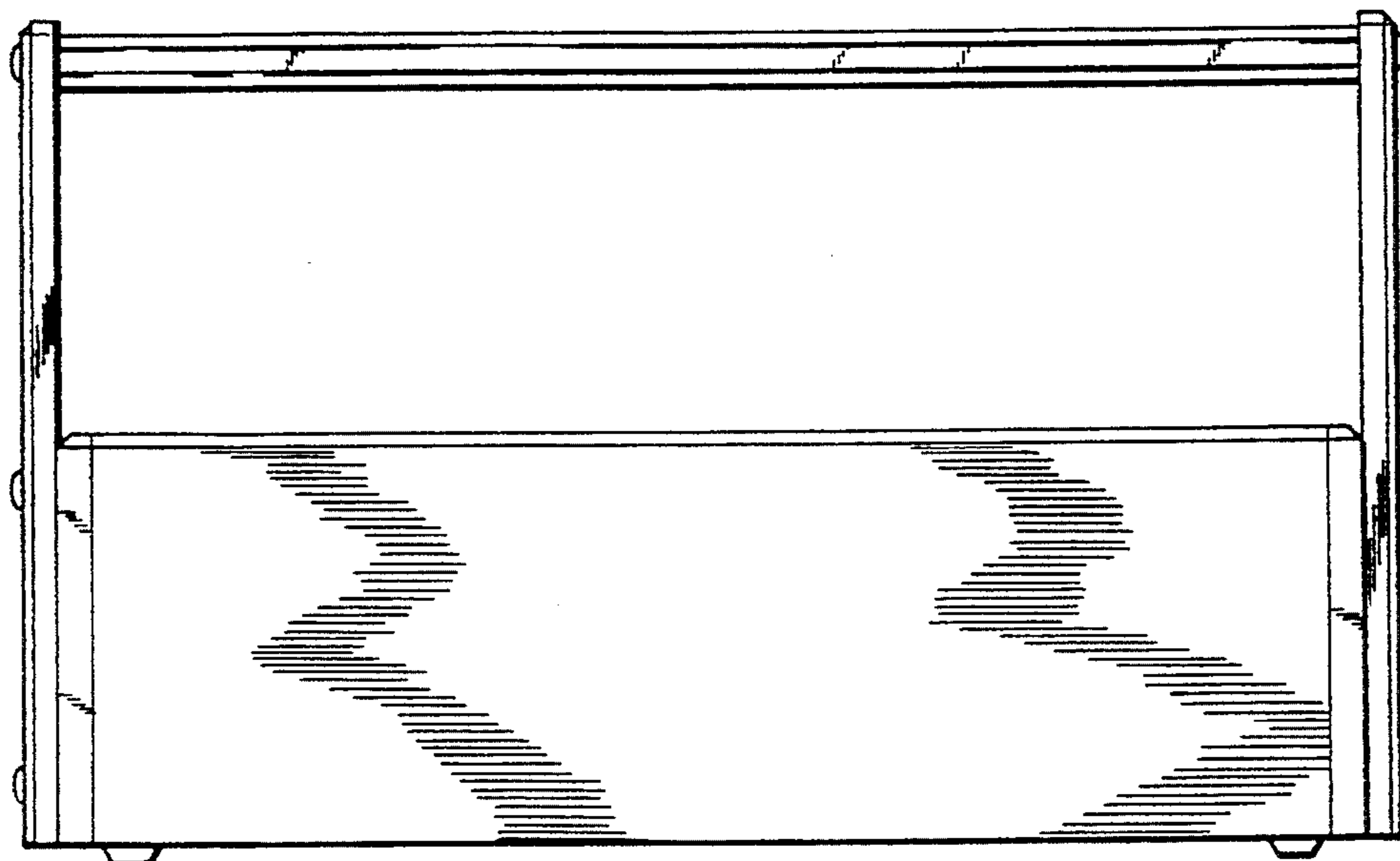


FIG. 2

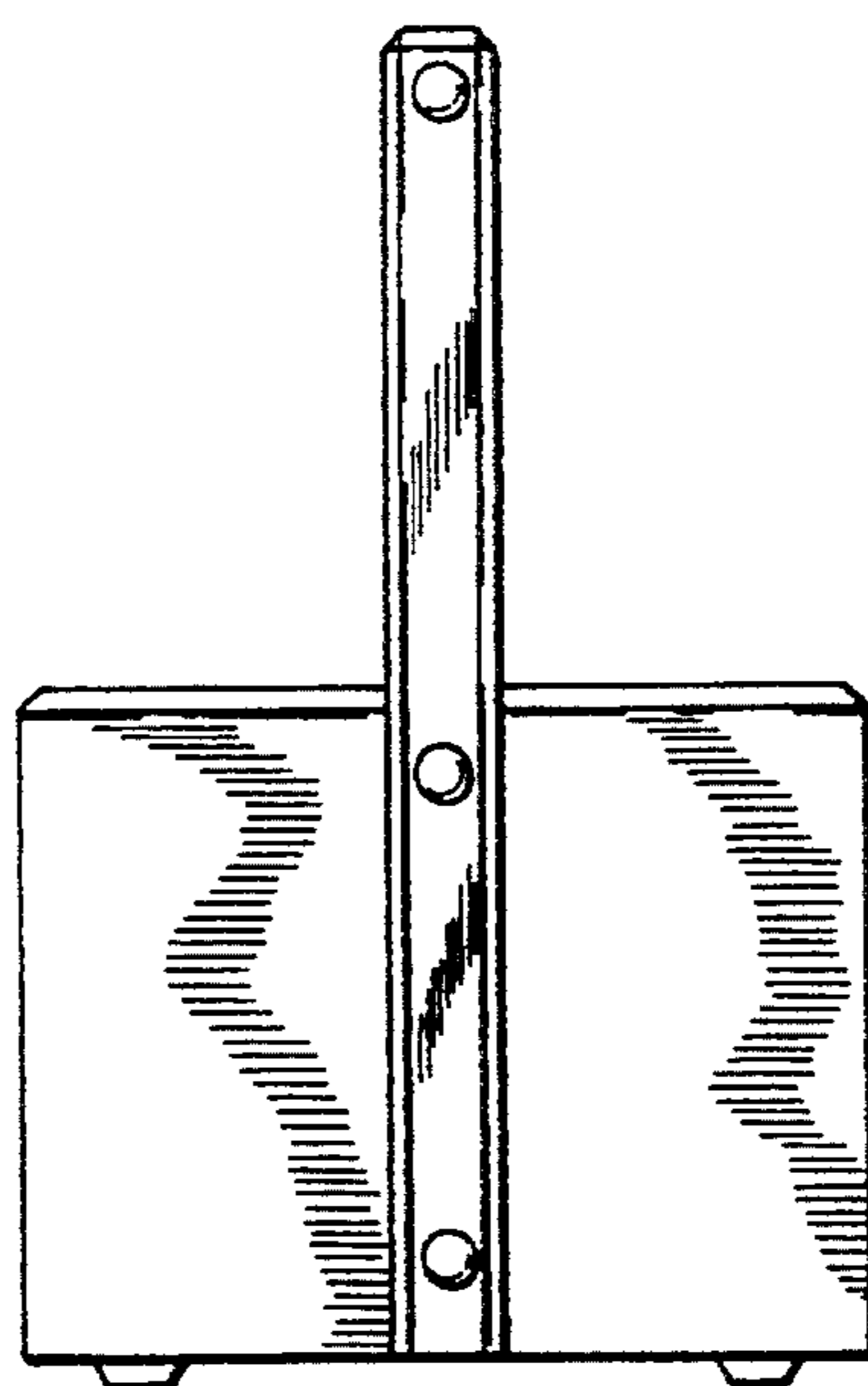


FIG. 3

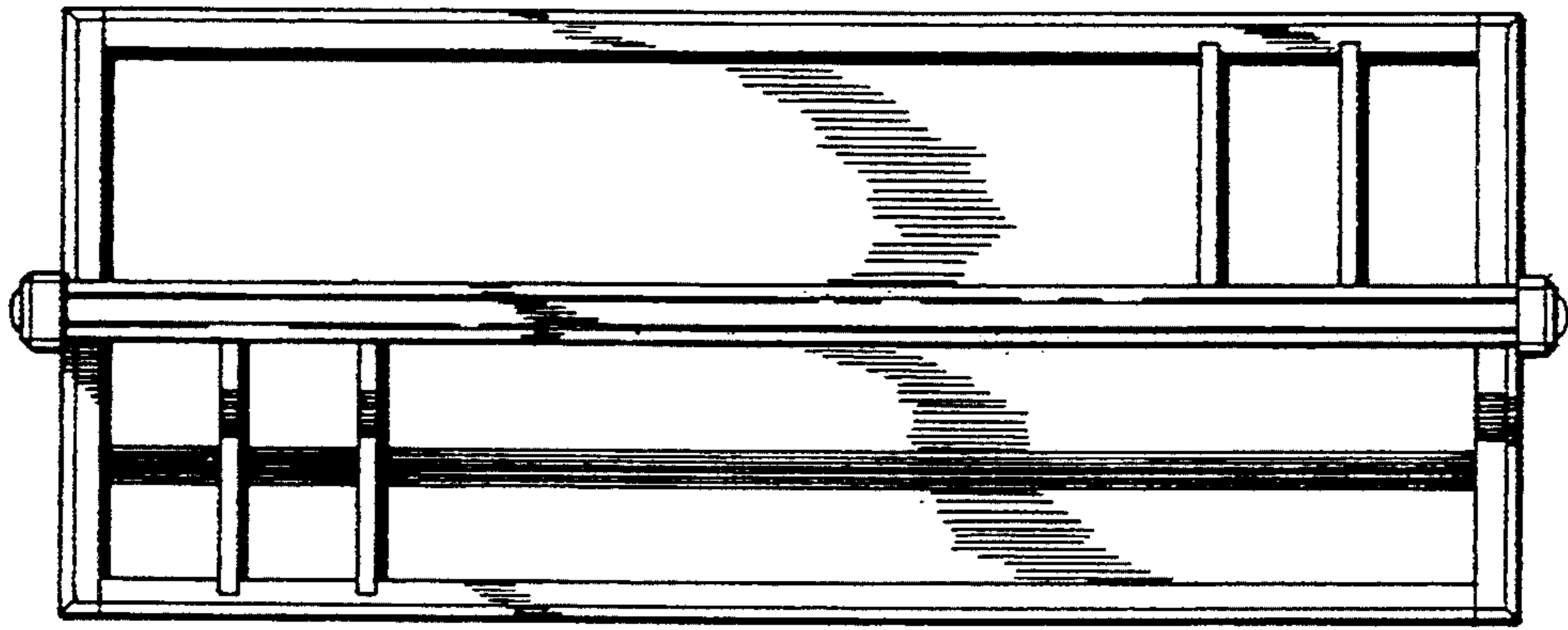


FIG. 4

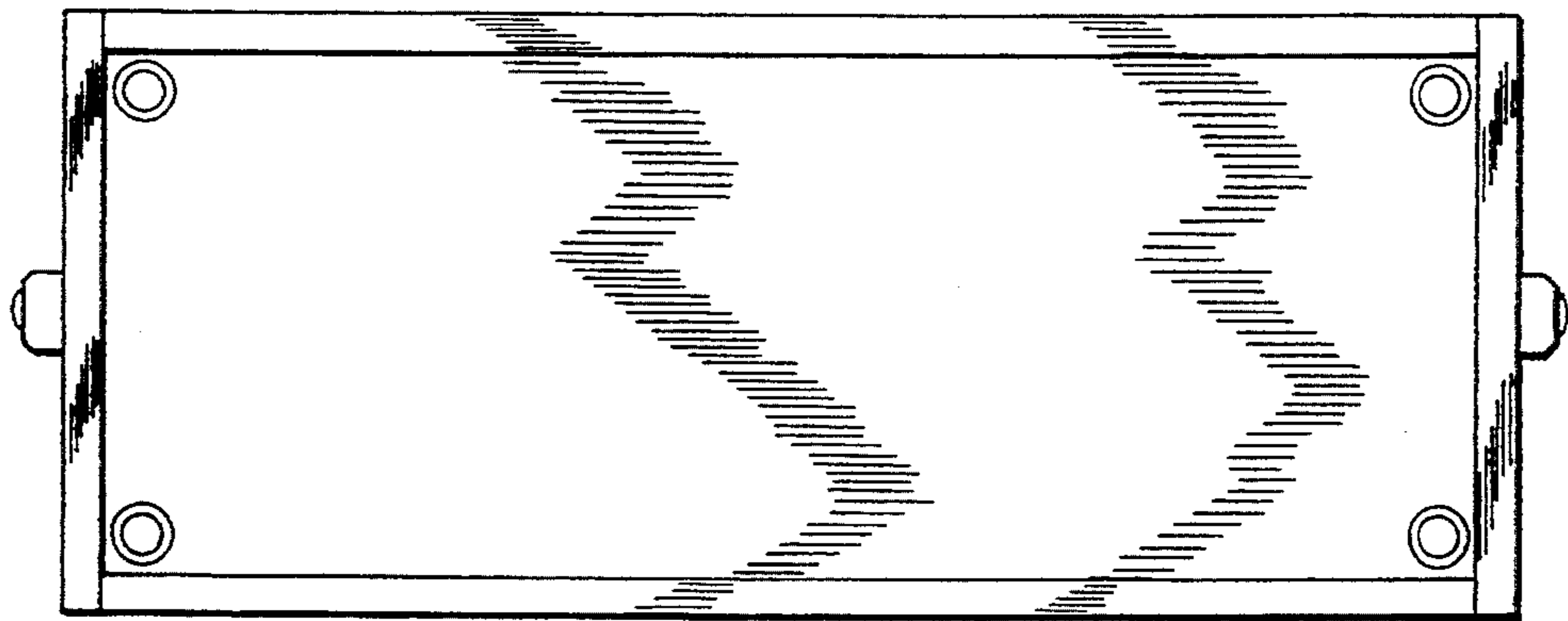


FIG. 5