



US00D359180S

# United States Patent [19]

[11] Patent Number: **Des. 359,180**

**Bedney**

[45] Date of Patent: **\*\* Jun. 13, 1995**

[54] **DISPLAY TRAY**

[75] Inventor: **Bruce Bedney**, Wallington, N.J.

[73] Assignee: **Chesapeake Display and Packaging Company**, Winston-Salem, N.C.

[\*\*] Term: **14 Years**

[21] Appl. No.: **13,569**

[22] Filed: **Sep. 27, 1993**

[52] U.S. Cl. .... **D6/475**

[58] Field of Search ..... **D6/449, 450, 475, 476, D6/396, 462, 467; D19/75, 86, 88-92; 211/49.1, 50; D9/432, 433; 248/174**

D. 328,535	8/1992	Dupre et al. ....	D6/475
2,155,190	4/1939	Heinz .	
3,834,324	9/1974	Lang .	
3,877,396	4/1975	Patterson .	
4,182,244	1/1980	Hutchins, Jr. et al. .	
4,231,299	11/1980	Gebhardt et al. .	
4,351,246	9/1982	Hutchins, Jr. .	

*Primary Examiner*—Alan P. Douglas

*Assistant Examiner*—S. Snapp

*Attorney, Agent, or Firm*—Bell, Seltzer, Park & Gibson

[57] **CLAIM**

The ornamental design for a display tray, as shown and described.

**DESCRIPTION**

FIG. 1 is a perspective view of a display tray which illustrates the new design;

FIG. 2 is a front plan view thereof;

FIG. 3 is a bottom elevation view thereof;

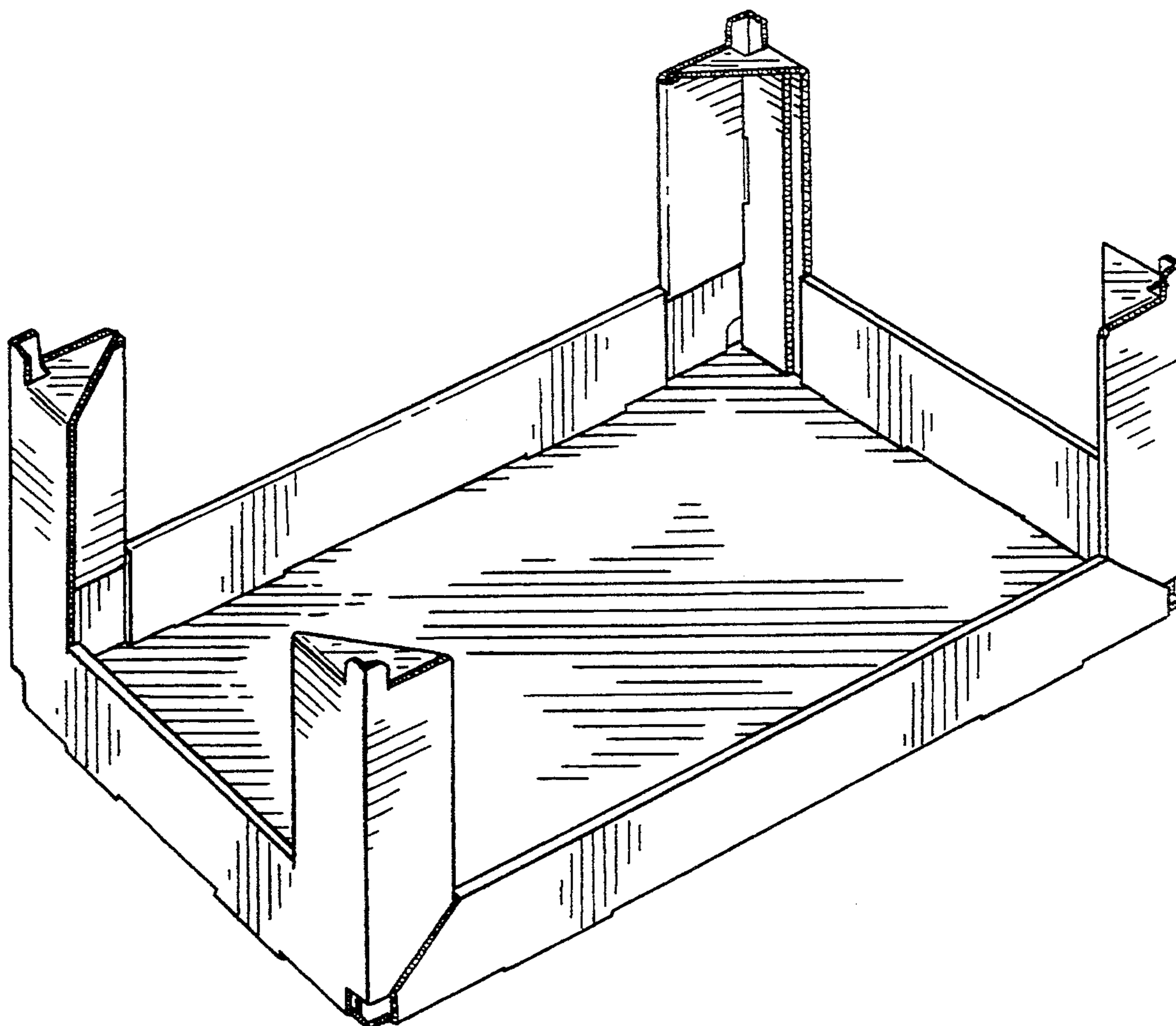
FIG. 4 is a top elevation view thereof; and,

FIG. 5 is a side view thereof.

[56] **References Cited**

**U.S. PATENT DOCUMENTS**

D. 108,606	2/1938	Nagle .....	D9/433
D. 238,133	12/1975	Uebele .....	D6/470 X
D. 256,642	9/1980	Lovell .....	D6/475
D. 281,484	11/1985	Dickes .....	D9/456
D. 293,635	1/1988	Goetz .....	D6/449



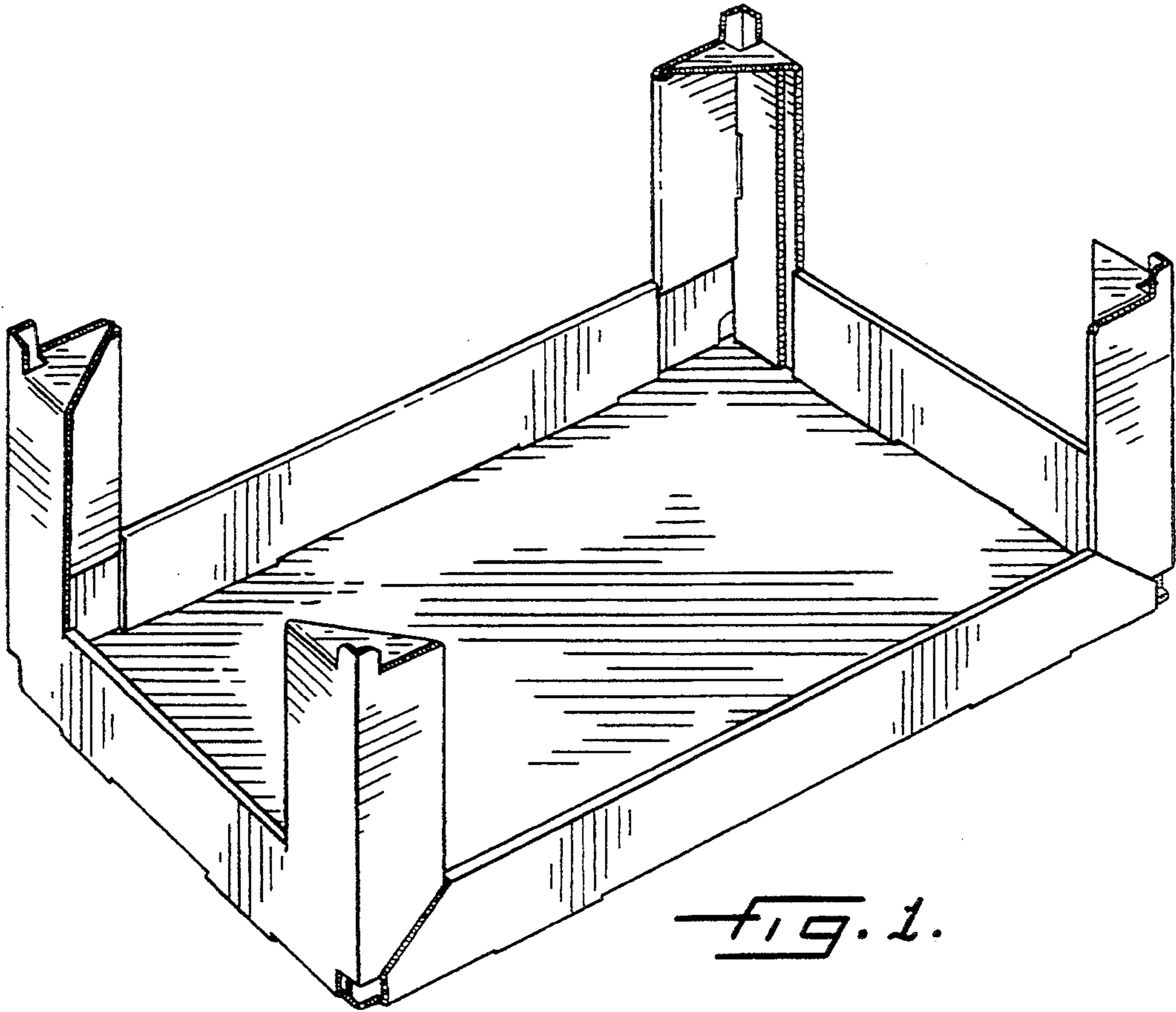


FIG. 1.

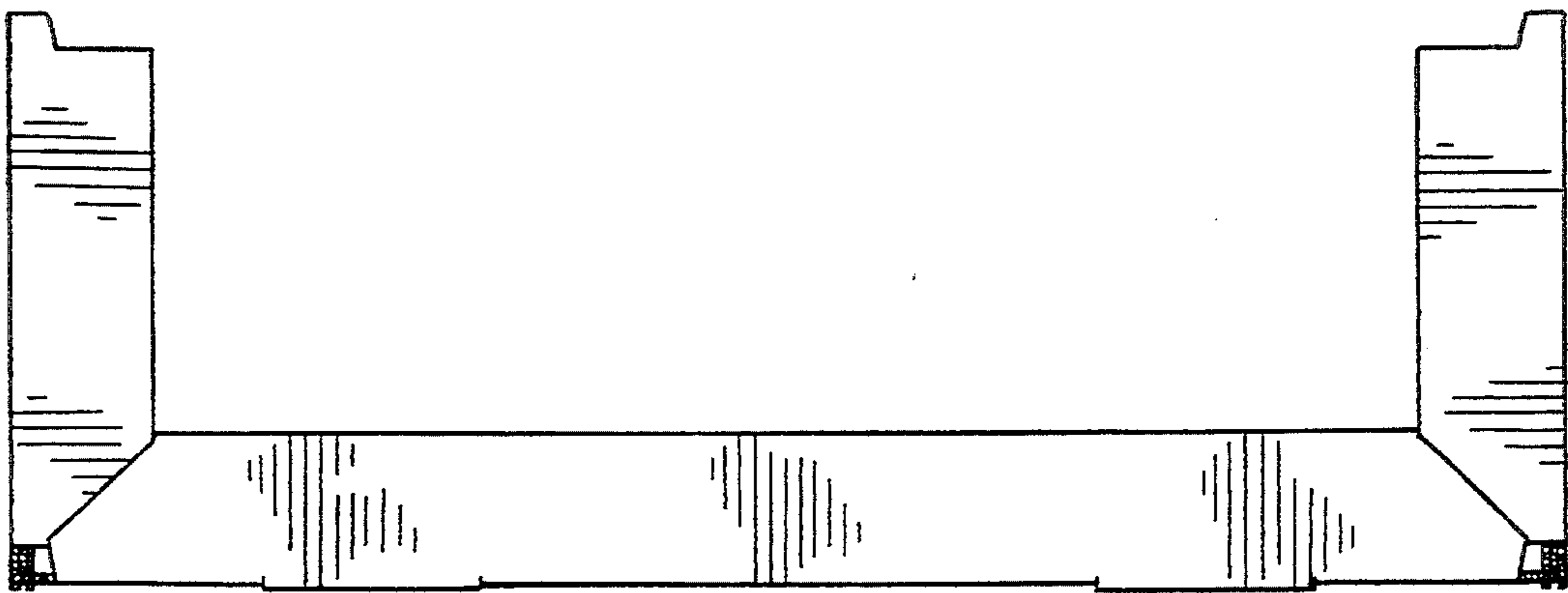


FIG. 2.

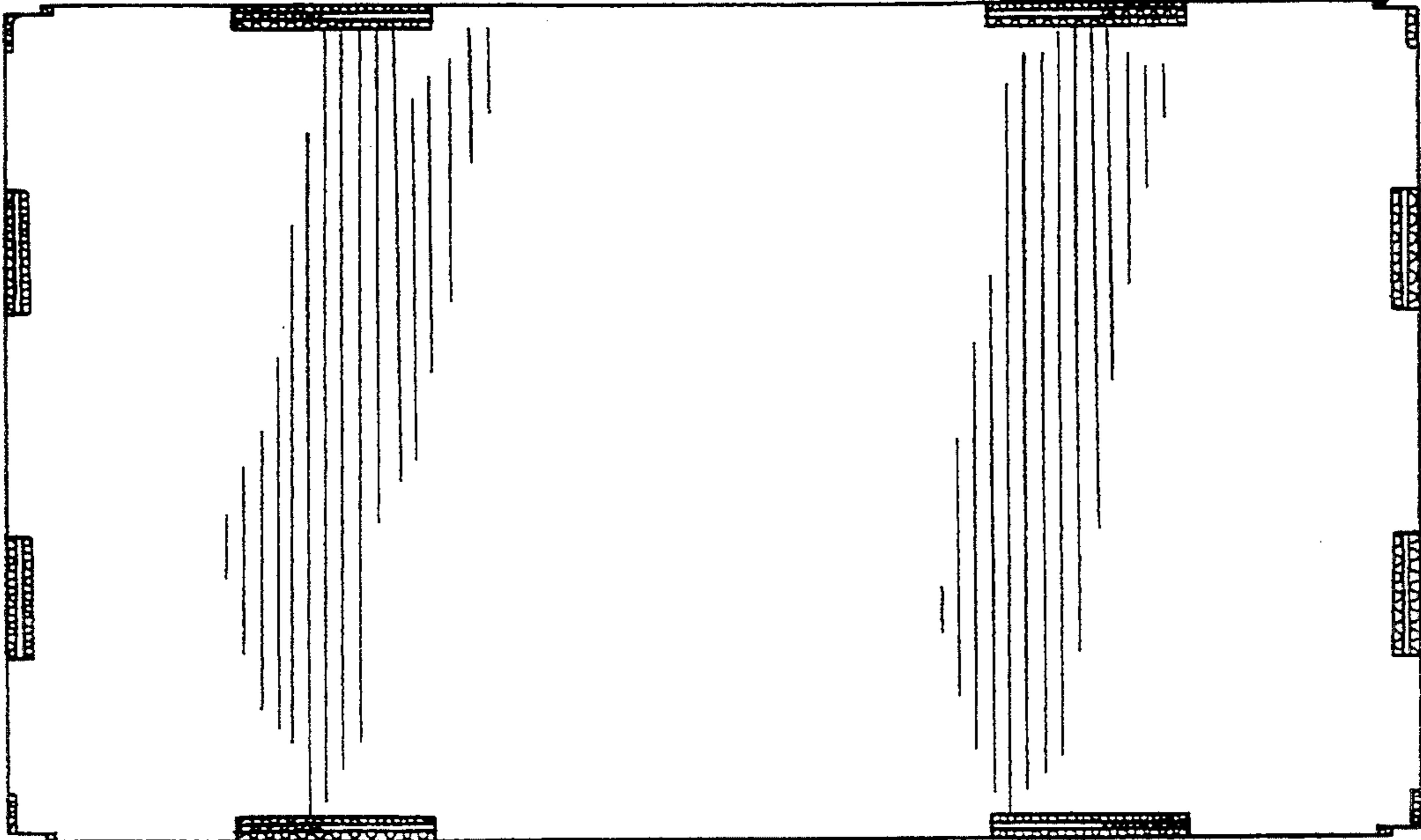


FIG. 3.

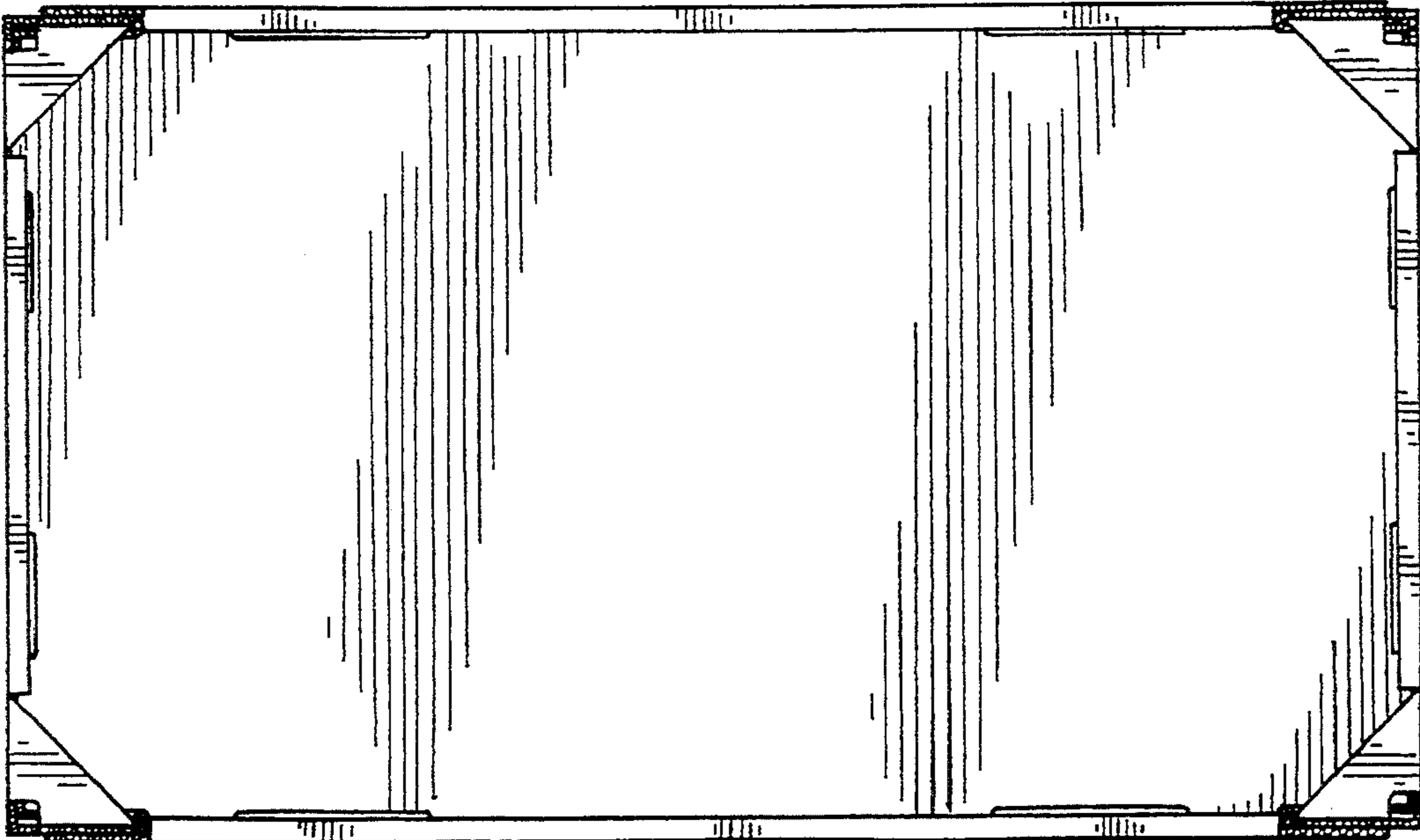


FIG. 4.

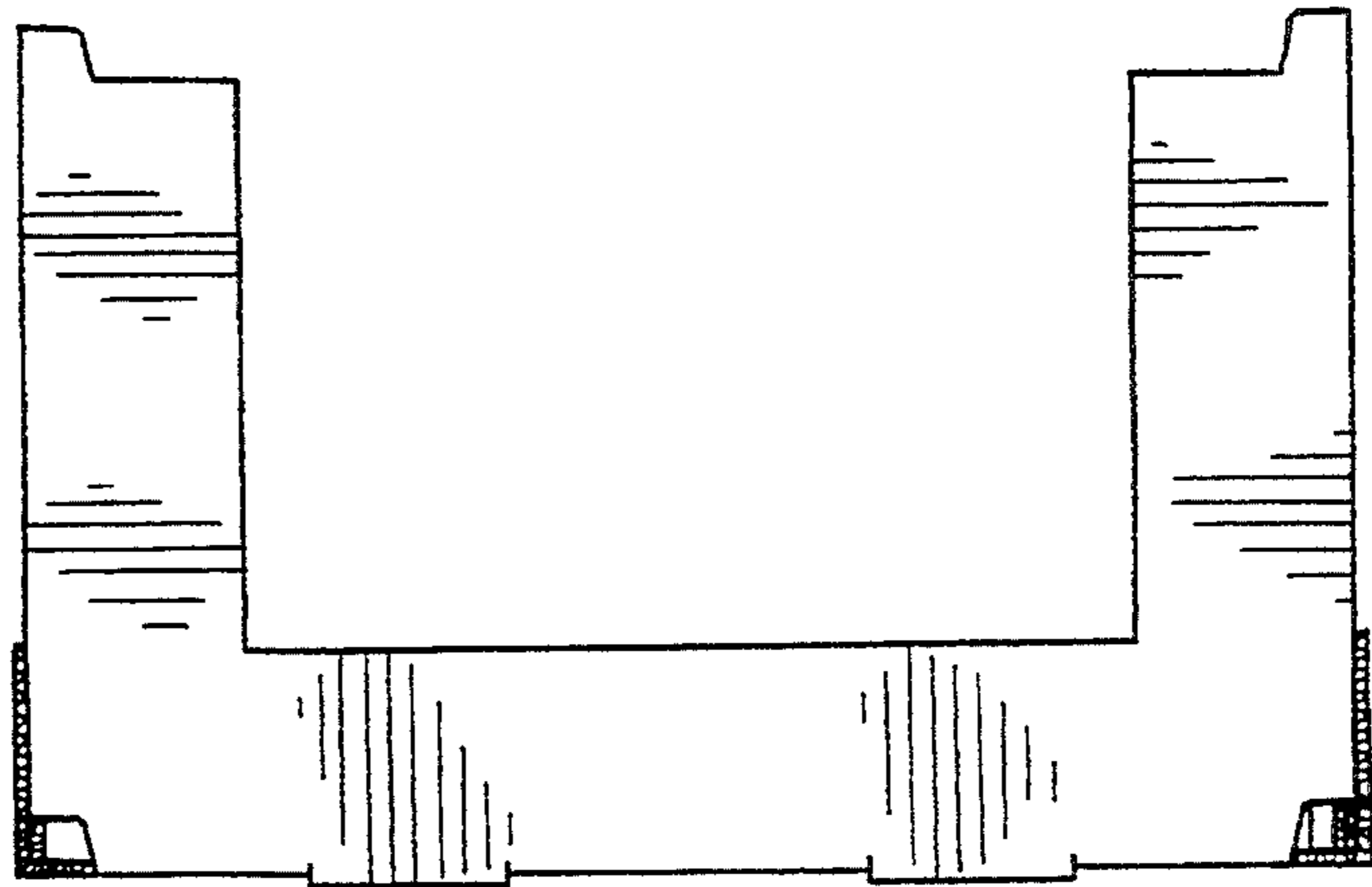


FIG. 5.