



US00D359179S

United States Patent [19]

[11] Patent Number: Des. 359,179

Cucinotta

[45] Date of Patent: ** Jun. 13, 1995

[54] **WORKSTATION FOR LAPTOP-TYPE COMPUTER**

[76] Inventor: **James L. Cucinotta**, 2079 Centerport Rd., Mohrsville, Pa. 19541

[**] Term: **14 Years**

[21] Appl. No.: **18,256**

[22] Filed: **Feb. 2, 1994**

[52] U.S. Cl. **D6/449**

[58] Field of Search **D6/449, 450, 451, 476, D6/475, 467; D19/86, 92, 75; 248/441.1**

D. 283,474 4/1986 Appel D6/449 X
 D. 305,246 12/1989 Kirchhoff et al. D19/92 X
 D. 317,179 5/1991 Kheng D19/92 X
 D. 320,619 10/1991 Schlee et al. D19/92 X
 D. 335,227 5/1993 Lapsker et al. D6/449
 D. 338,495 8/1993 Carella D19/86 X
 5,028,048 7/1991 Watson et al. 248/441.1

Primary Examiner—Alan P. Douglas
Assistant Examiner—S. Snapp
Attorney, Agent, or Firm—Charles A. Wilkinson

[57] CLAIM

The ornamental design for a workstation for laptop-type computer, as shown and described.

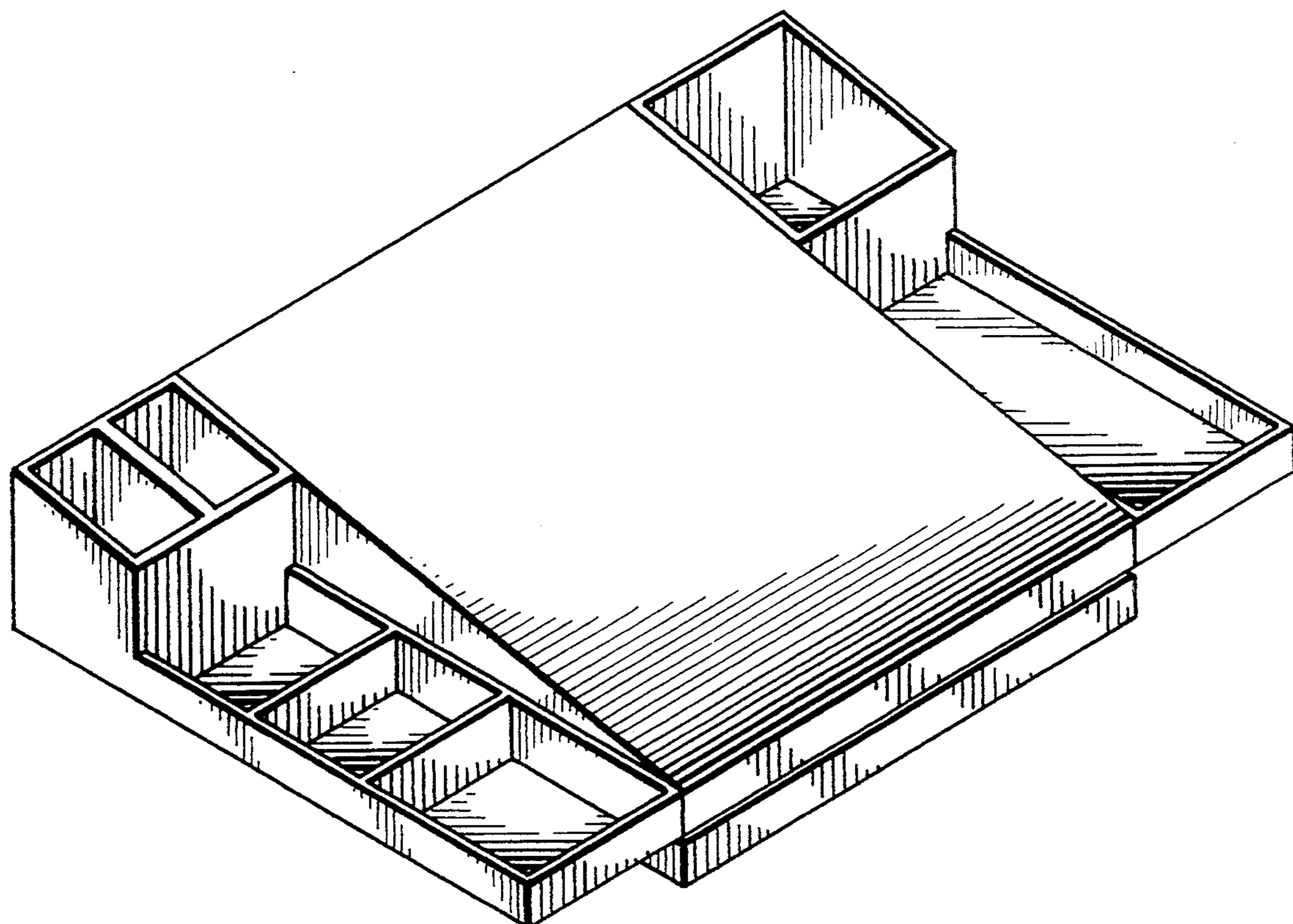
DESCRIPTION

FIG. 1 is an isometric view from above of a laptop-type computer workstation stand showing my new design; and, FIG. 2 is an isometric view from below thereof.

[56] **References Cited**

U.S. PATENT DOCUMENTS

D. 121,440 7/1940 West D6/476
 D. 247,015 1/1978 Fowlie D6/475
 D. 248,441 7/1978 Bausch D19/75 X
 D. 249,273 9/1978 Day D6/476 X



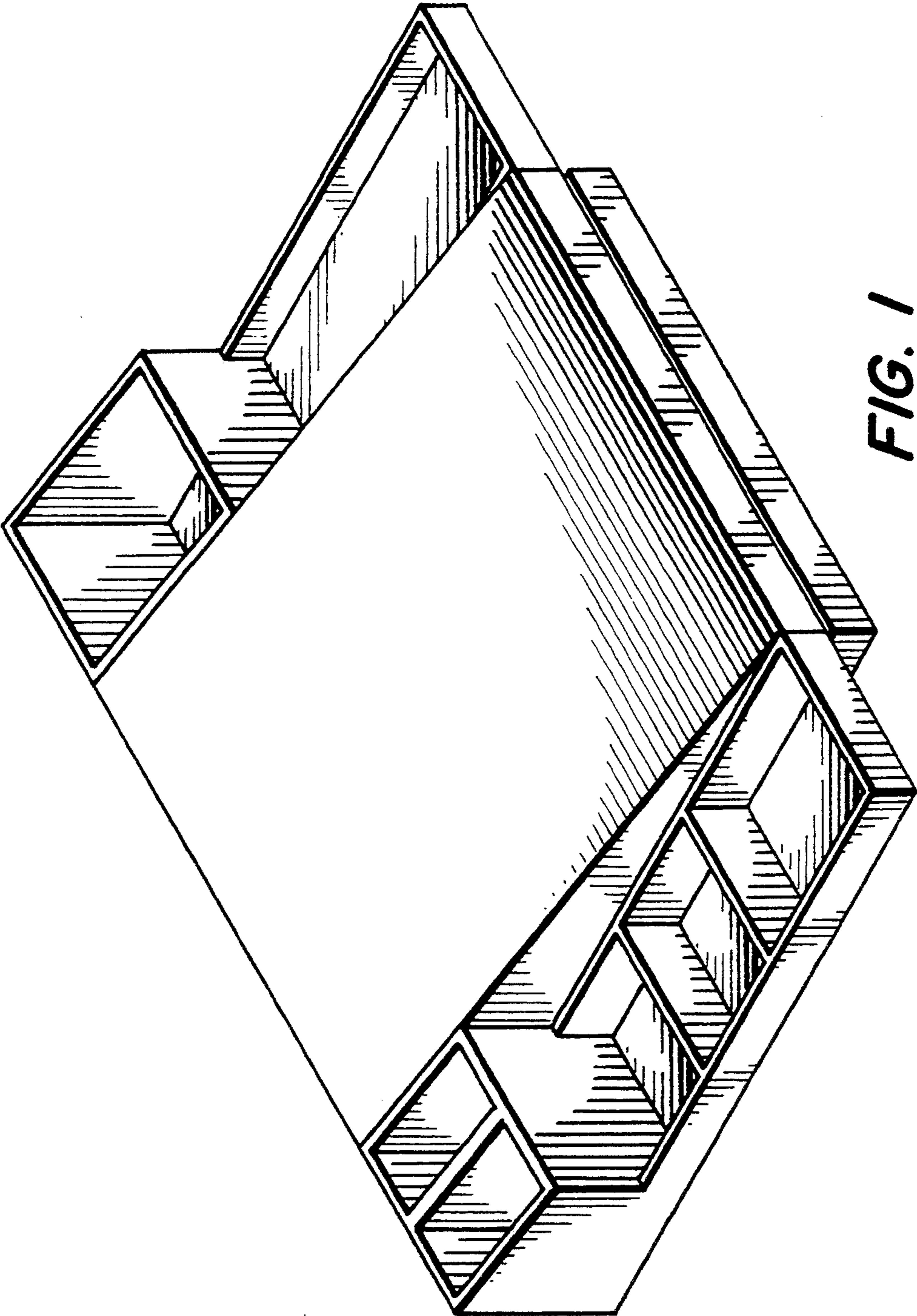


FIG. 1

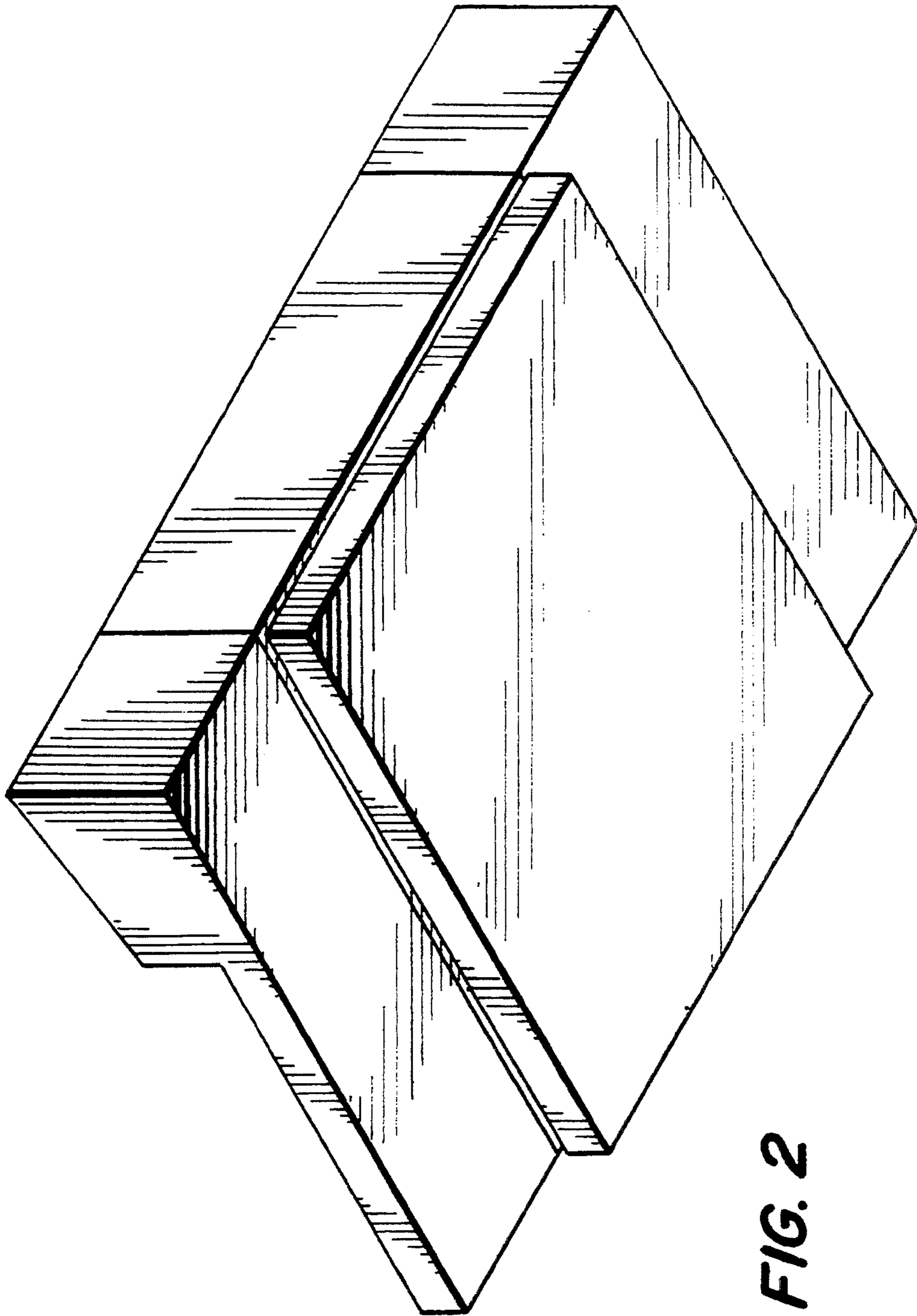


FIG. 2