



US00D359177S

# United States Patent [19]

[11] Patent Number: **Des. 359,177**

**Bartlmae**

[45] Date of Patent: **\*\* Jun. 13, 1995**

[54] **CHAIR**

[75] Inventor: **Kerstin Bartlmae**, Varese, Italy

[73] Assignee: **Casala Möbel-Werke GmbH**,  
Neu-Ulm, Germany

[\*\*] Term: **14 Years**

[21] Appl. No.: **21,706**

[22] Filed: **Apr. 22, 1994**

[30] **Foreign Application Priority Data**

Oct. 22, 1993 [DE] Germany ..... M9308291.6

[52] U.S. Cl. .... **D6/380; D6/379**

[58] Field of Search ..... **D6/334, 371, 373, 374,**  
**D6/379, 380, 500, 501, 502; 297/446**

[56] **References Cited**

**U.S. PATENT DOCUMENTS**

D. 172,592	7/1954	Glass	.....	D6/380
D. 180,660	7/1957	Johnson	.....	D6/373
D. 181,032	9/1957	Winer	.....	D6/380
D. 181,647	12/1957	Hawkins	.....	D6/374
D. 194,838	3/1963	Ridder et al.	.....	D6/374
D. 281,292	11/1985	Engel et al.	.....	D6/380
D. 346,501	5/1994	Llusca	.....	D6/374

*Primary Examiner*—Alan P. Douglas

*Assistant Examiner*—Gary D. Watson

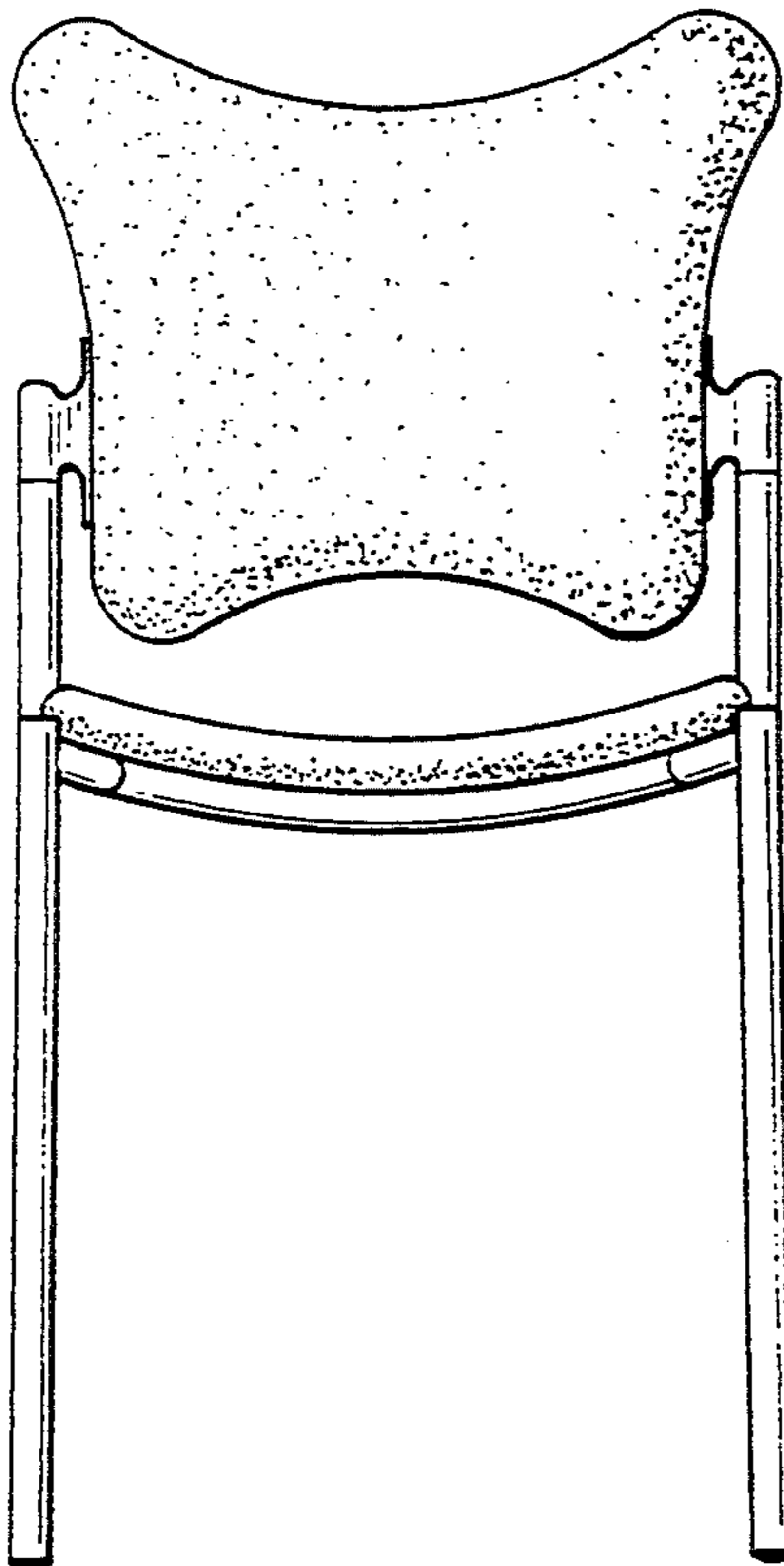
*Attorney, Agent, or Firm*—Shlesinger Arkwright & Garvey

[57] **CLAIM**

The ornamental design for a chair, as shown and described.

**DESCRIPTION**

FIG. 1 is a front view of a chair showing my new design;  
 FIG. 2 is a right side view of the chair of FIG. 1, the unillustrated left side view being a mirror image thereof;  
 FIG. 3 is a rear view of the chair of FIG. 1;  
 FIG. 4 is a top plan view of the chair of FIG. 1;  
 FIG. 5 is a bottom plan view of the chair of FIG. 1;  
 FIG. 6 is a front view of a chair according to another preferred embodiment of my new design;  
 FIG. 7 is a right side view of the chair of FIG. 6, the unillustrated left side view being a mirror image thereof;  
 FIG. 8 is a rear view of the chair of FIG. 6;  
 FIG. 9 is a top plan view of the chair of FIG. 6;  
 FIG. 10 is a bottom plan view of the chair of FIG. 6;  
 FIG. 11 is a front view of a chair according to a still further preferred embodiment of my new design;  
 FIG. 12 is a right side view of the chair of FIG. 11, the unillustrated left side view being a mirror image thereof;  
 FIG. 13 is a rear view of the chair of FIG. 11;  
 FIG. 14 is a top plan view of the chair of FIG. 11; and,  
 FIG. 15 is a bottom plan view of the chair of FIG. 11.  
 The broken line elements shown in FIGS. 2, 5, 7, 10, 12, and 15 form no part of the claimed design.



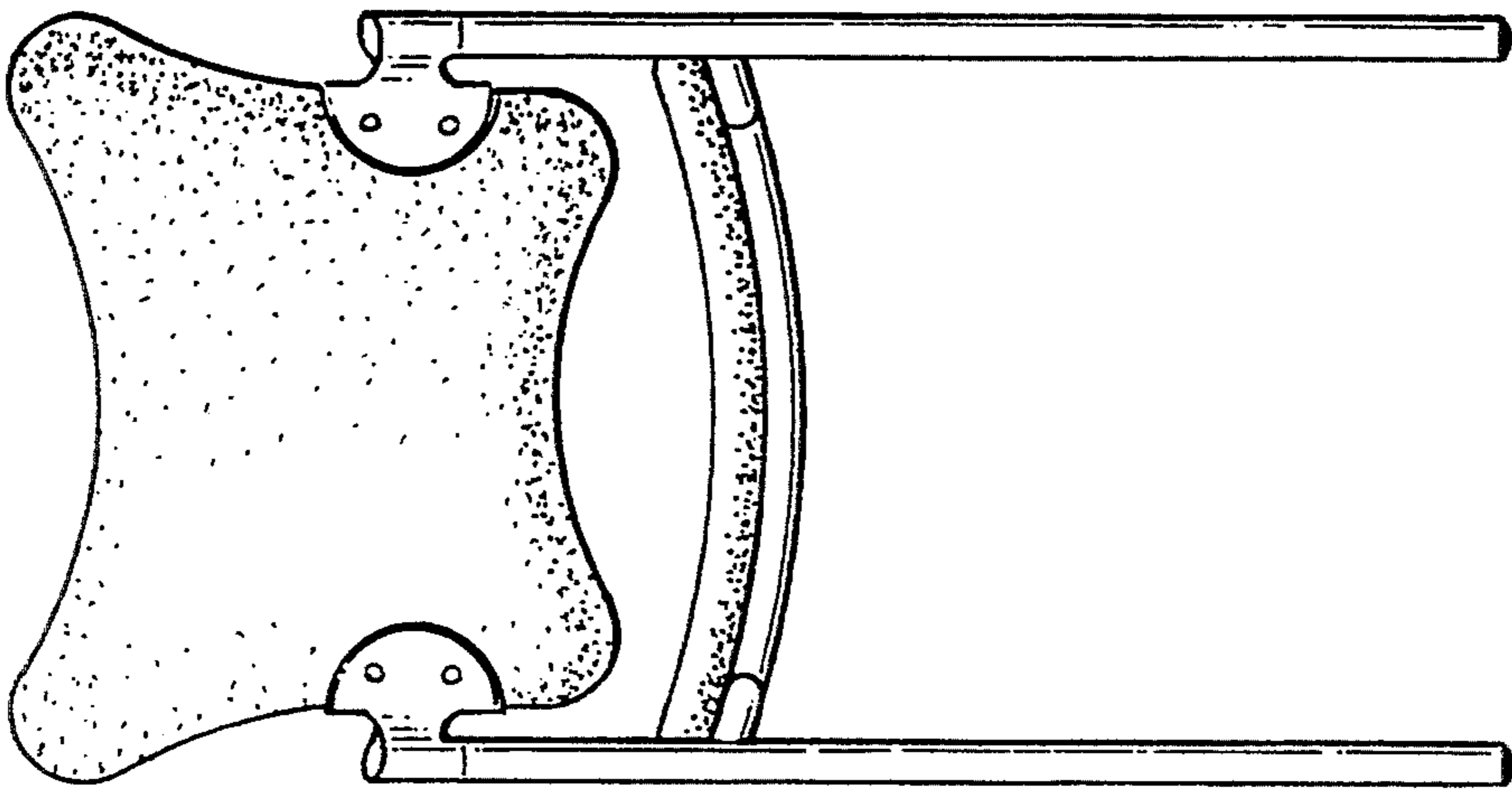


FIG. 3

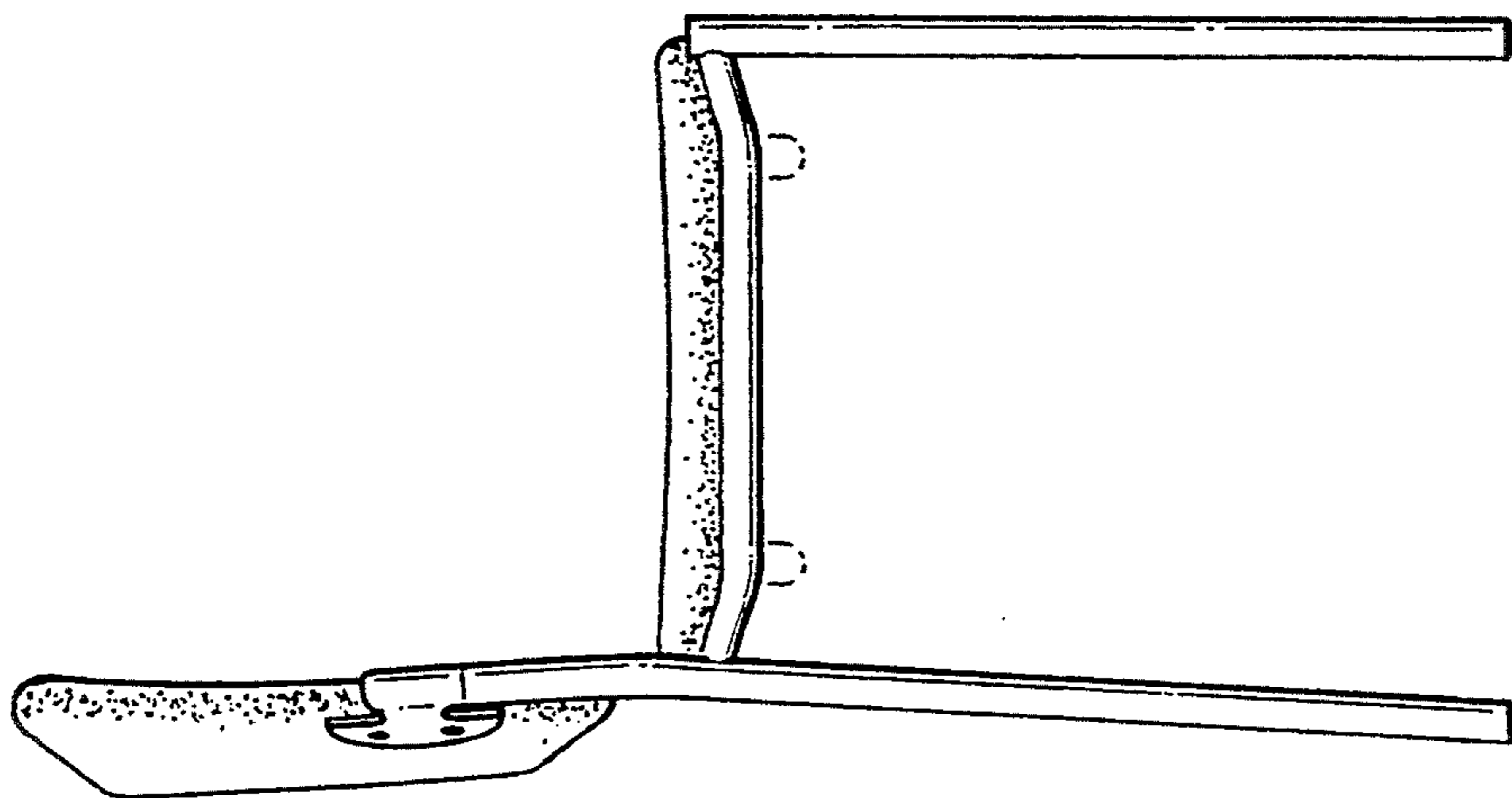


FIG. 2

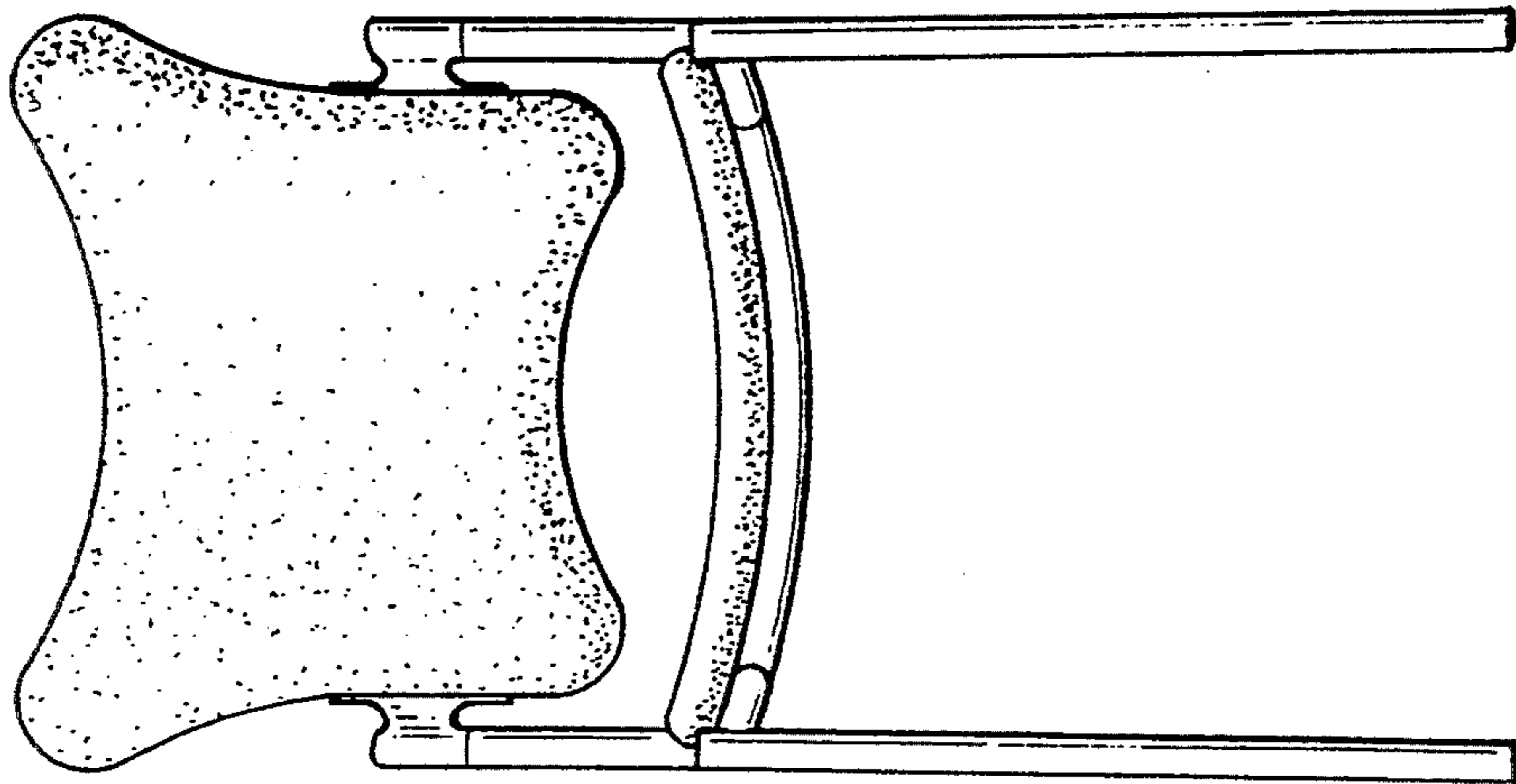
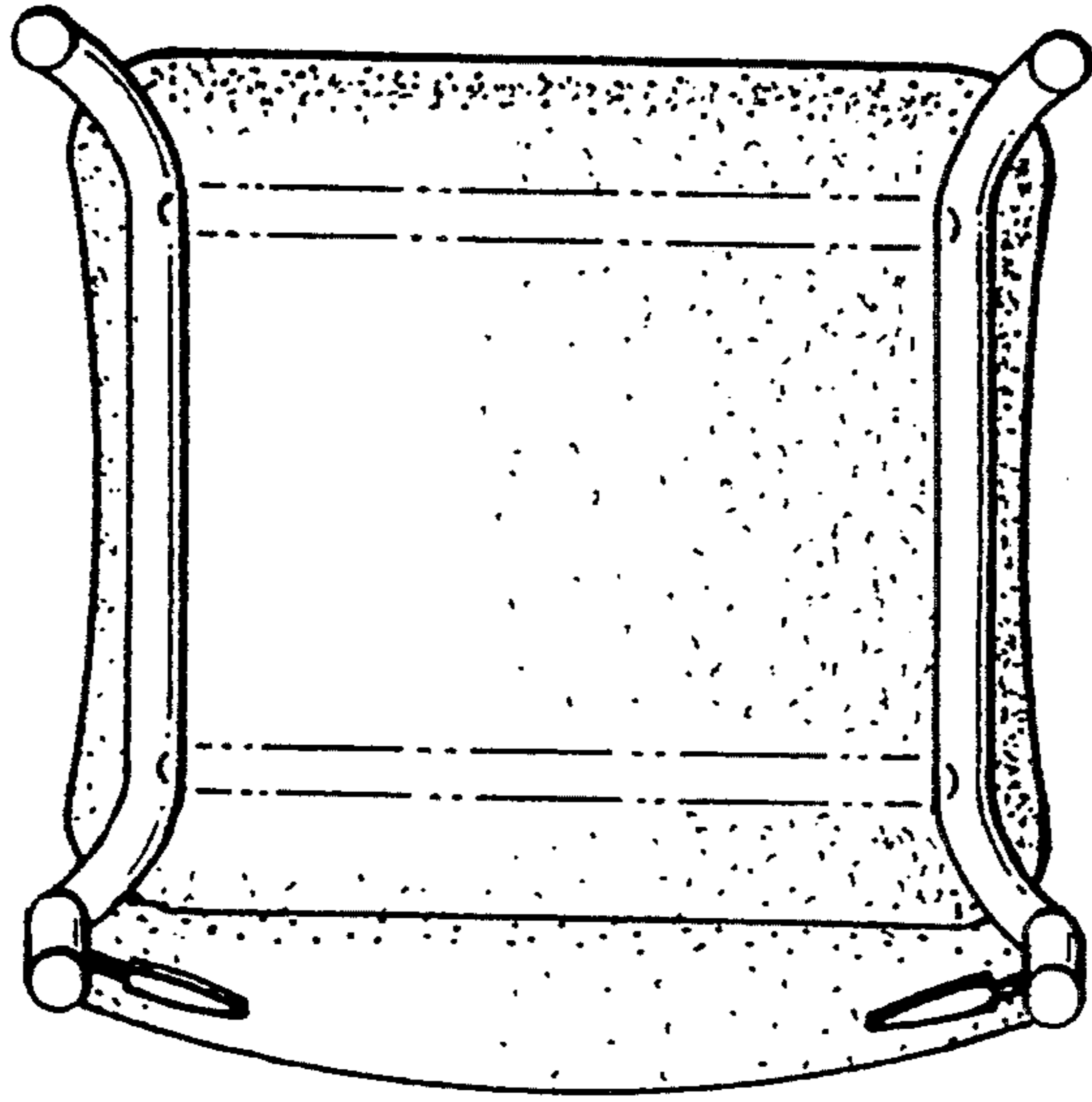
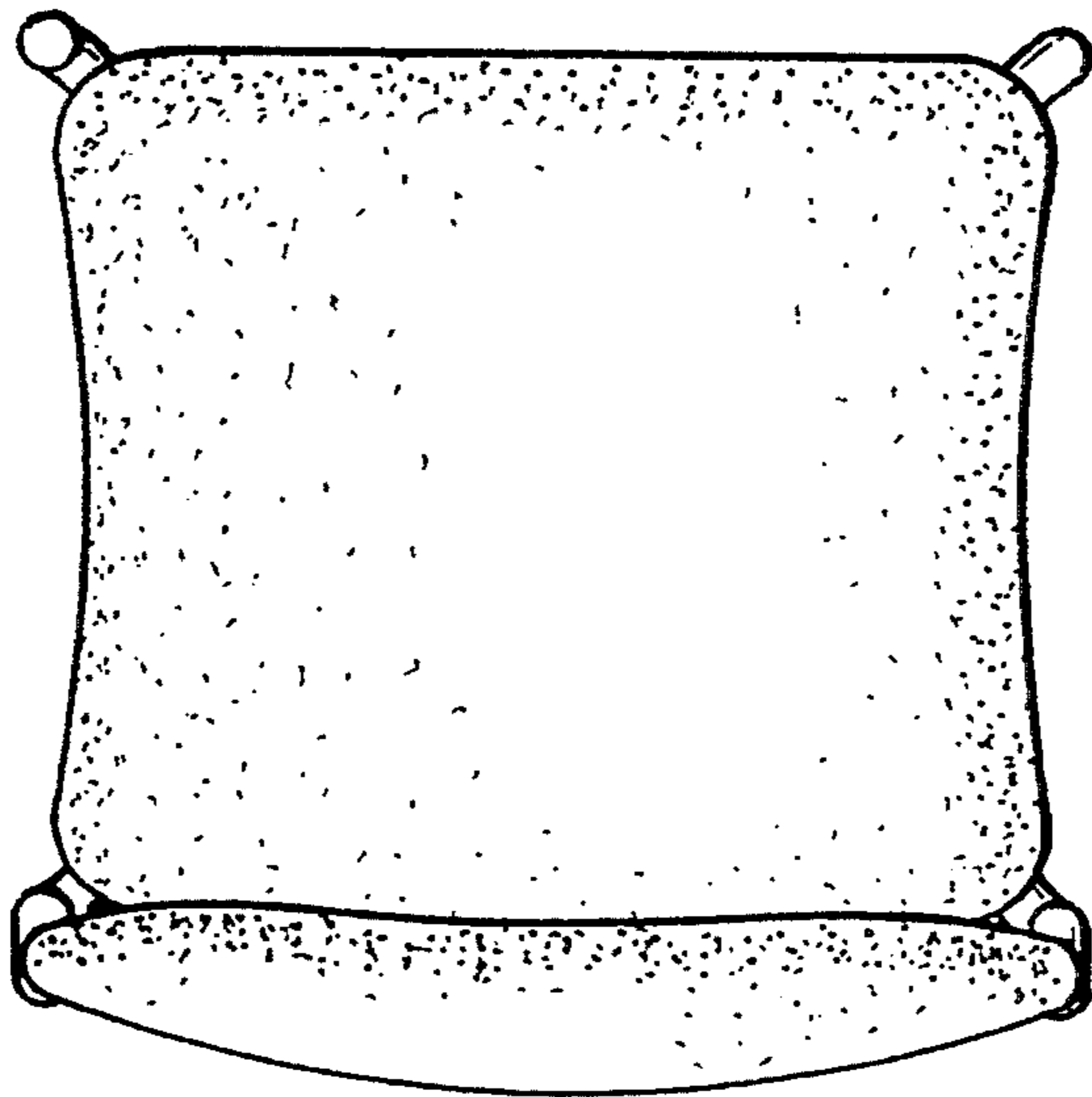


FIG. 1



**FIG. 5**



**FIG. 4**

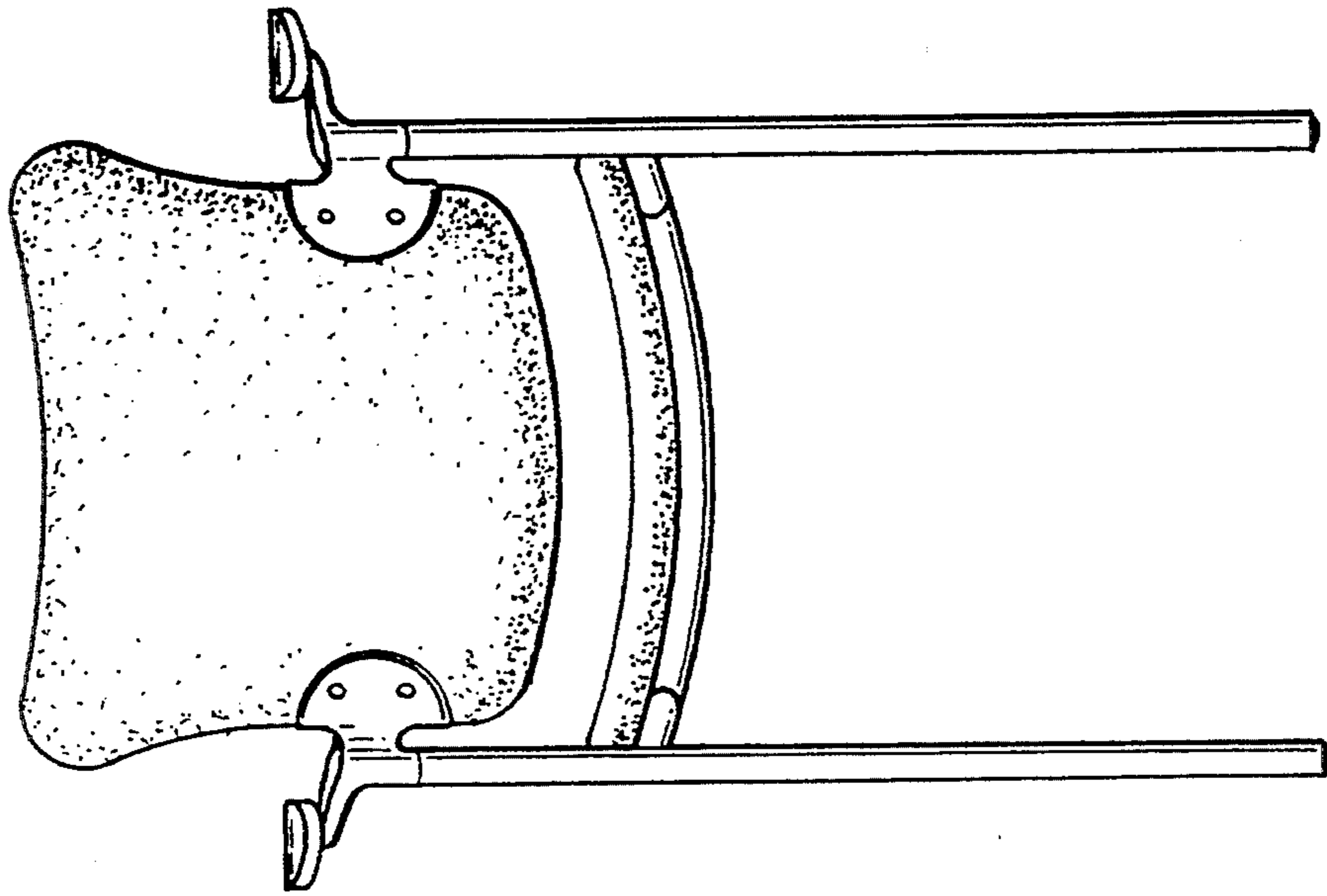


FIG. 8

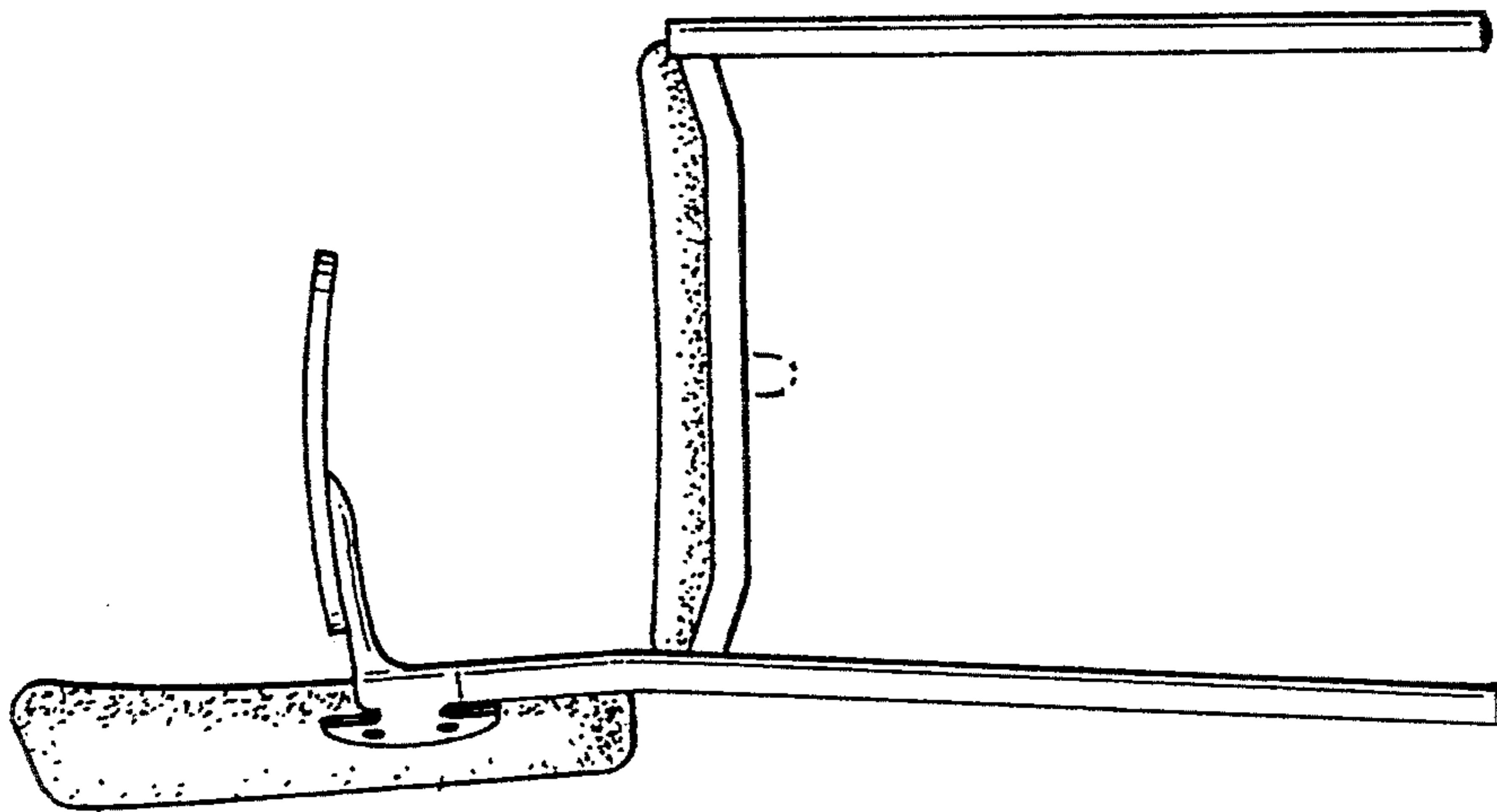


FIG. 7

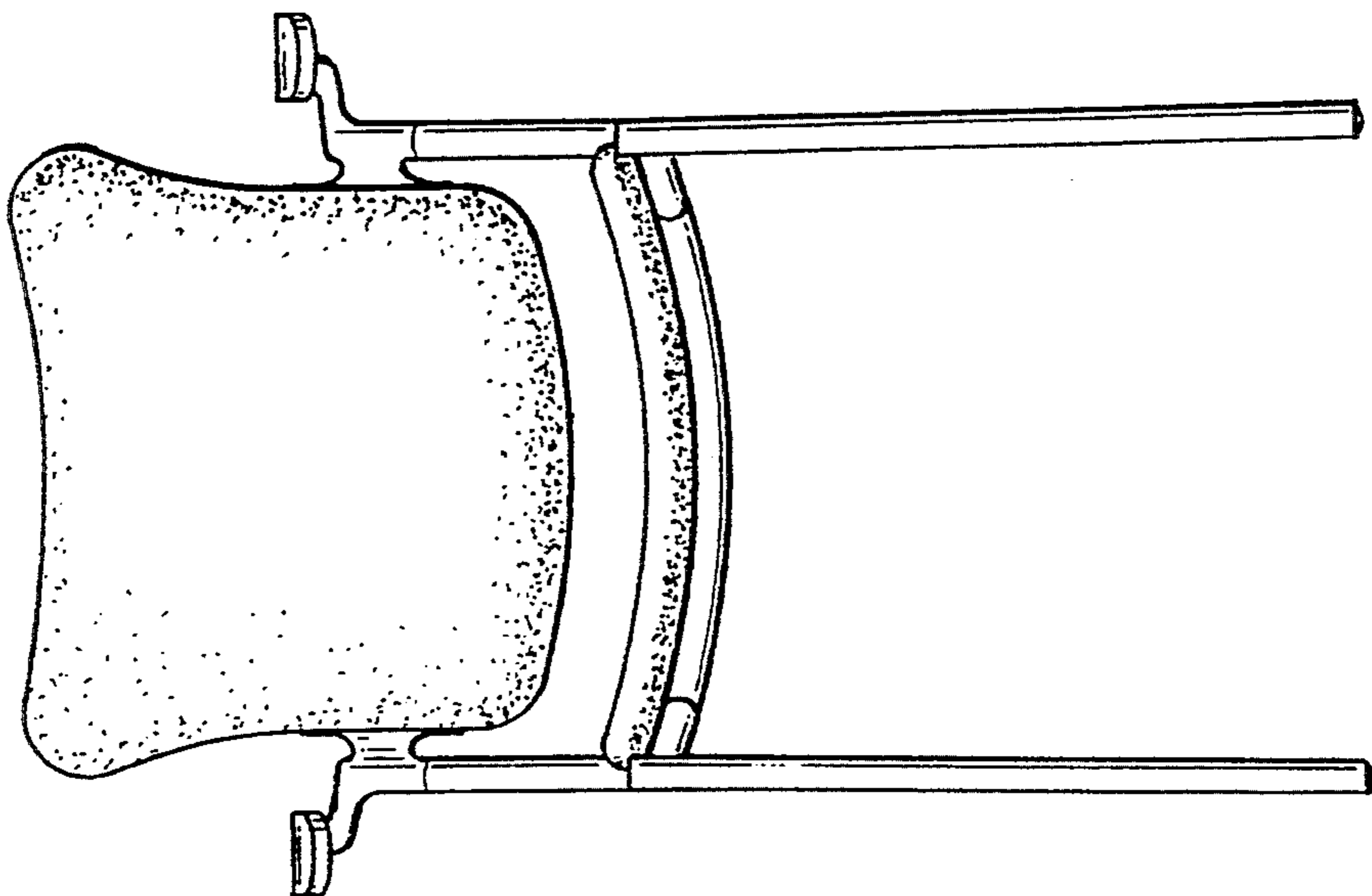
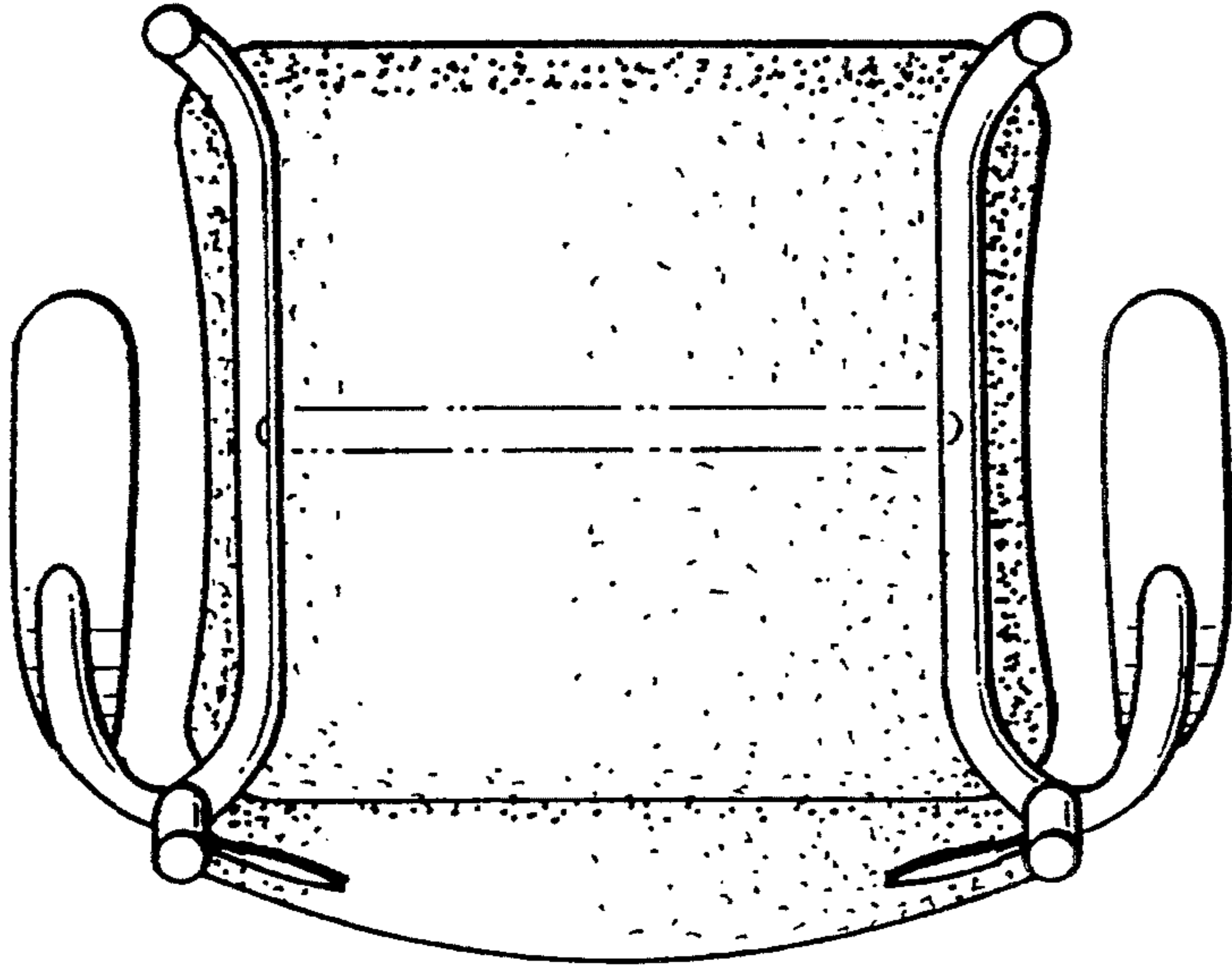
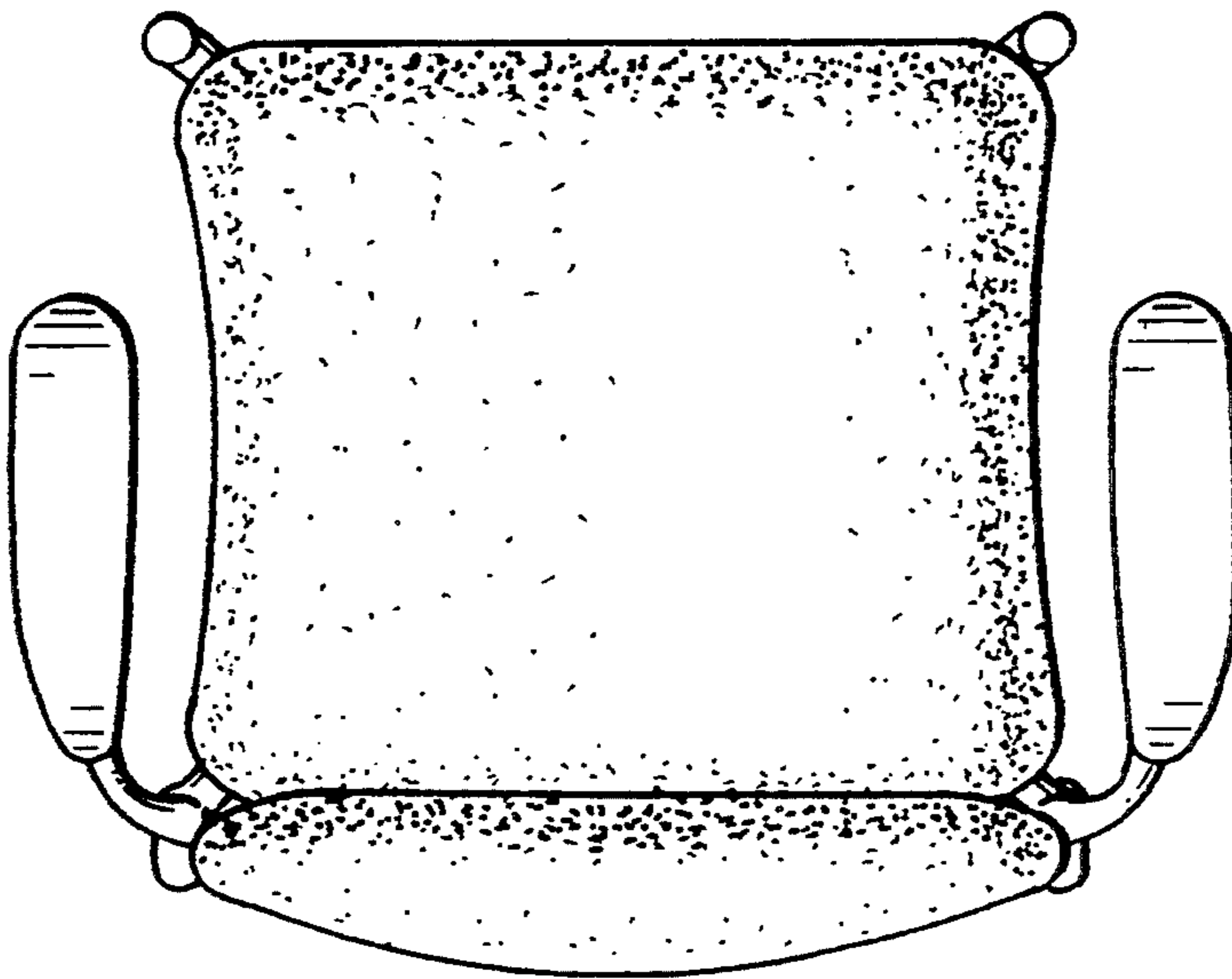


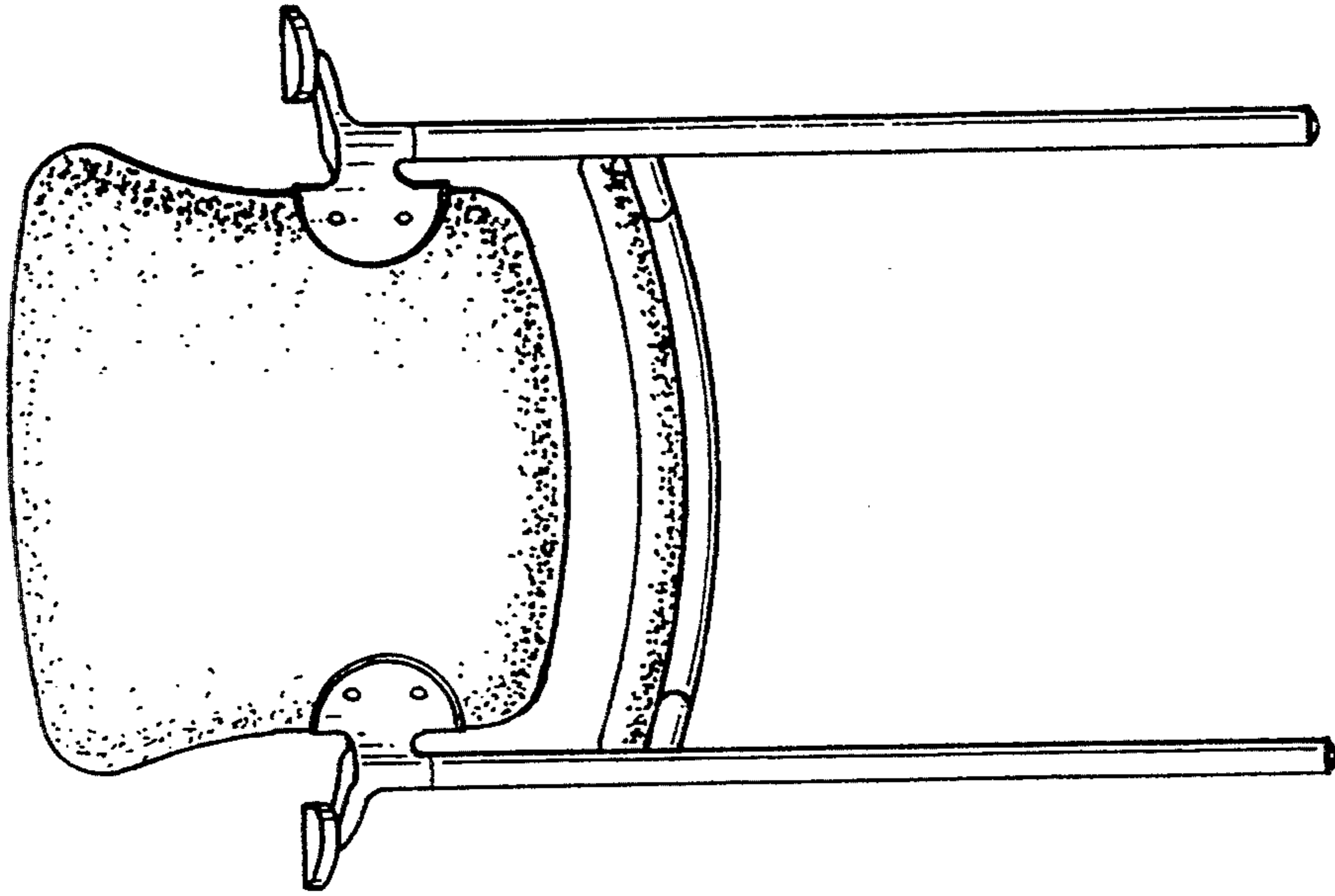
FIG. 6



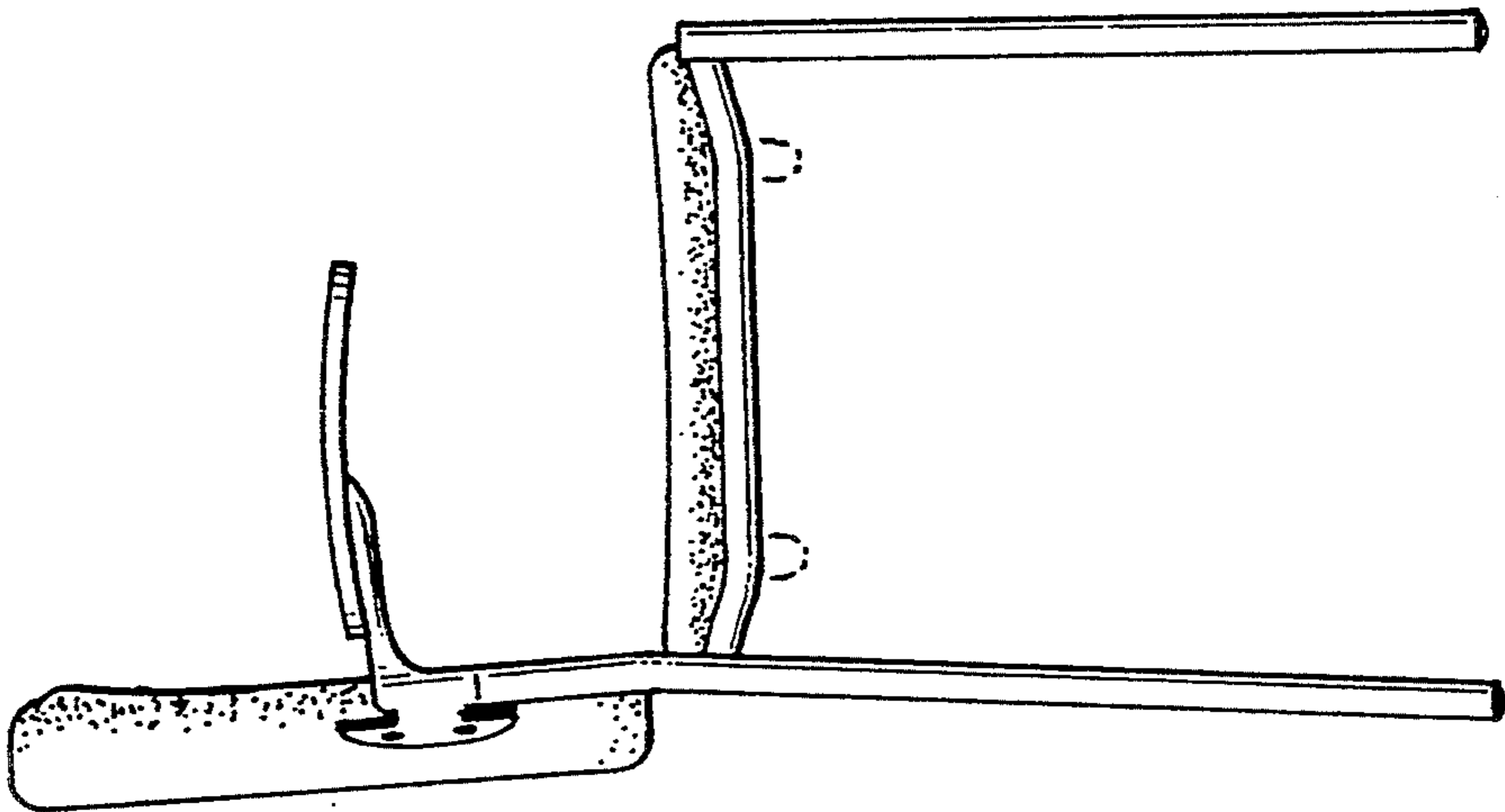
**FIG. 10**



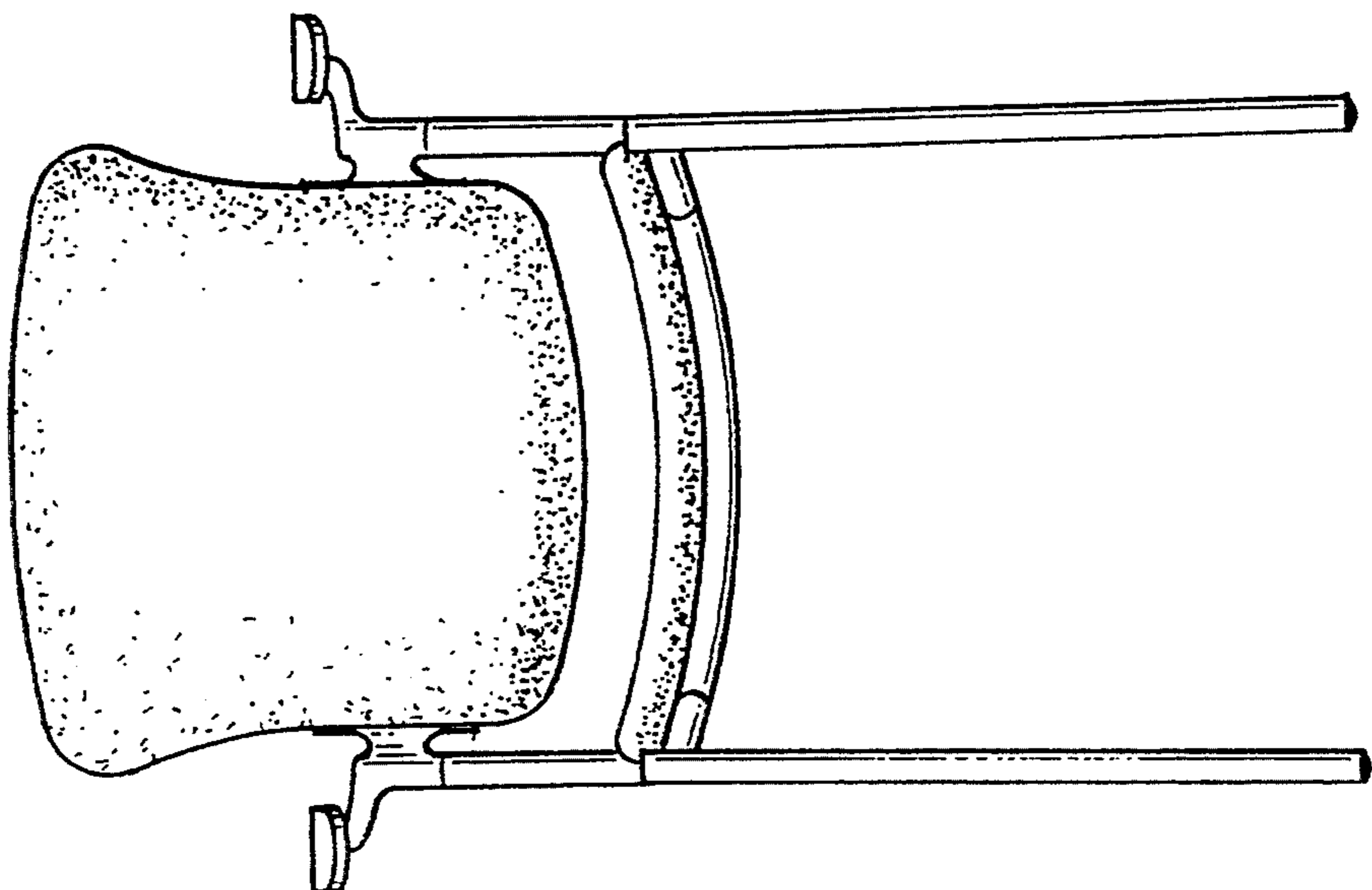
**FIG. 9**



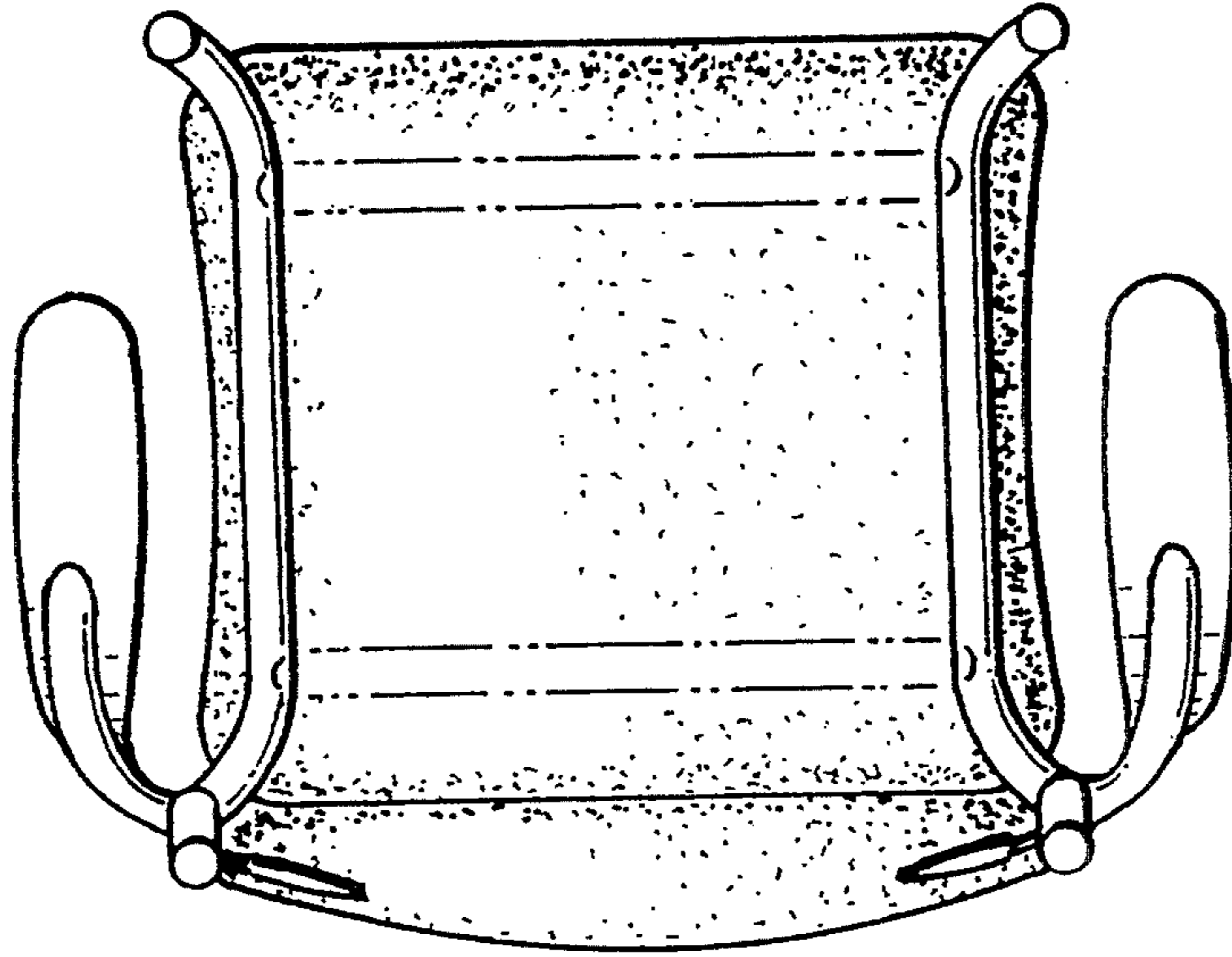
*FIG. 13*



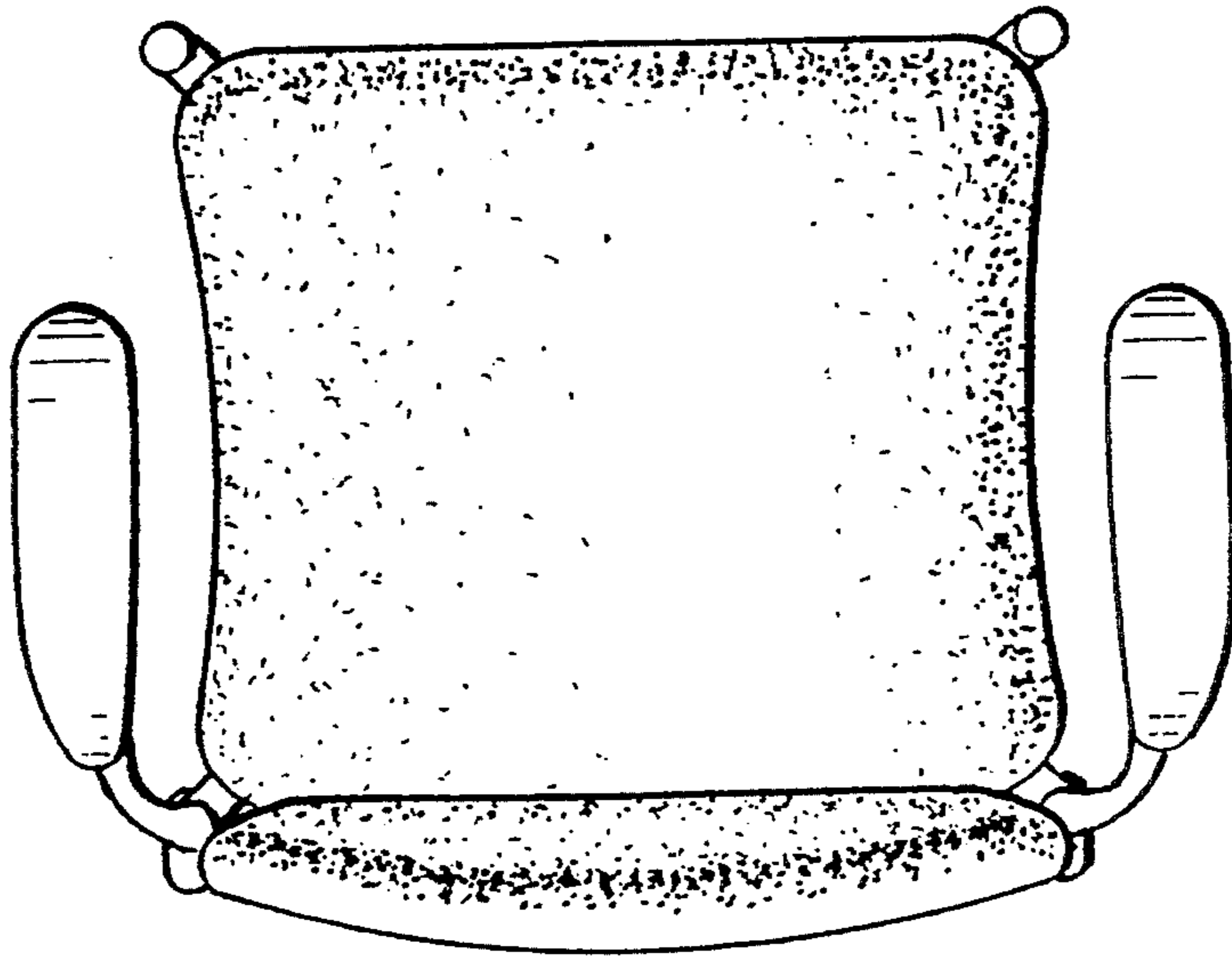
*FIG. 12*



*FIG. 11*



*FIG. 15*



*FIG. 14*