



US00D359164S

United States Patent [19]
Whitehurst

[11] **Patent Number: Des. 359,164**
[45] **Date of Patent: ** Jun. 13, 1995**

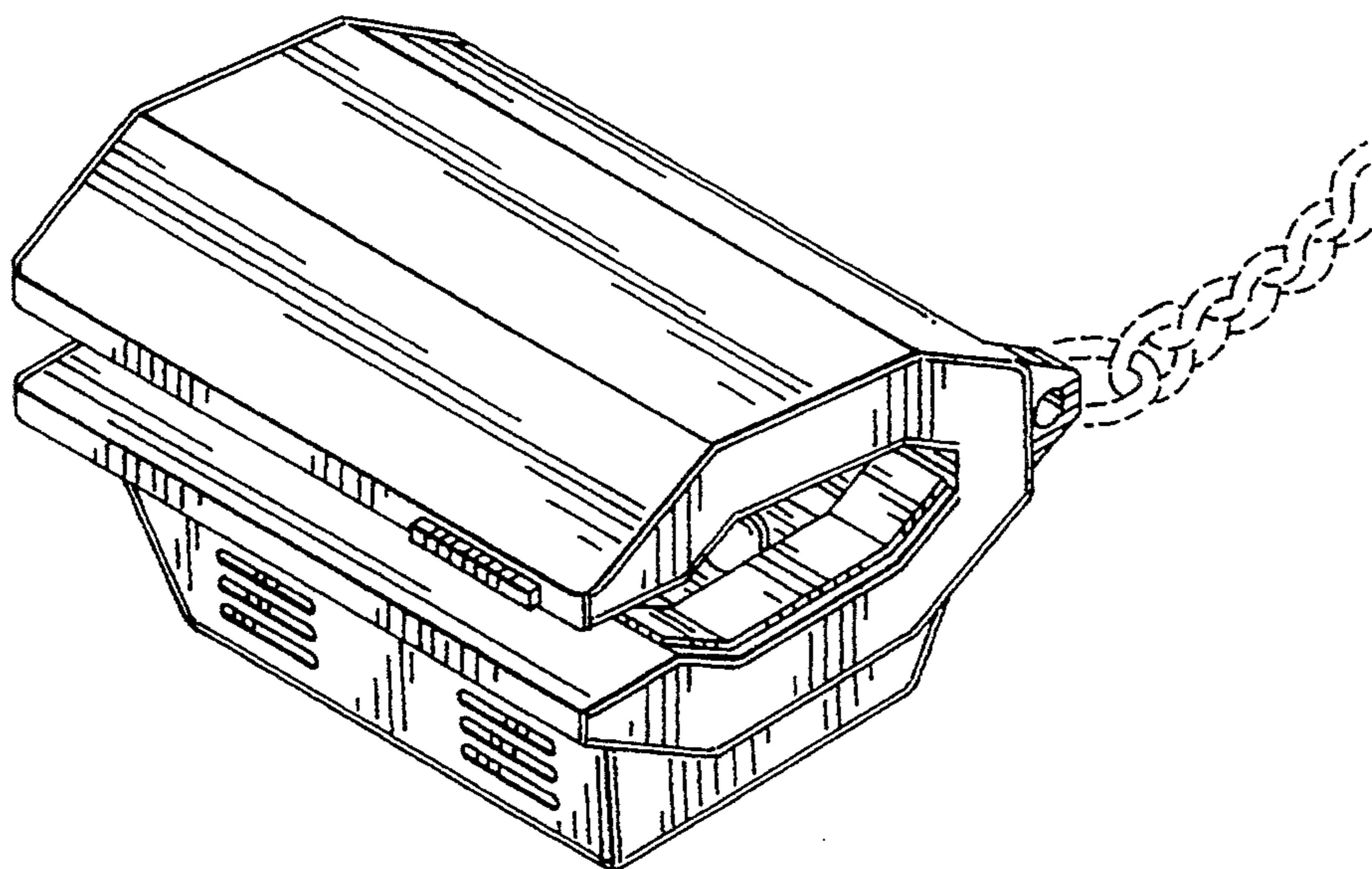
[54] **TANNING BED KEY CHAIN**
[76] **Inventor: Tedd J. Whitehurst, 12600 SW. 124th, Tigard, Oreg. 97223**
[**] **Term: 14 Years**
[21] **Appl. No.: 21,733**
[22] **Filed: Apr. 22, 1994**
[52] **U.S. Cl. D3/211**
[58] **Field of Search D3/207-212, D3/216, 232; 70/456 R, 456 B, 457-460; D11/30-32, 44, 48, 49; 24/3 K; D6/382, 503; D24/210, 209**

[56] **References Cited**
U.S. PATENT DOCUMENTS
D. 296,933 7/1988 Olsson D24/210
D. 326,040 5/1992 Wysopal D3/210
4,660,561 4/1987 Nielsen D24/210

Primary Examiner—Ralf T. Seifert
Attorney, Agent, or Firm—Marger, Johnson, McCollom & Stolowitz

[57] **CLAIM**
The ornamental design for a tanning bed key chain, as shown and described.

DESCRIPTION
FIG. 1 is a perspective view of a first embodiment, showing my new design;
FIG. 2 is a front plan view thereof;
FIG. 3 is a rear elevational view thereof;
FIG. 4 is a left side, elevational view thereof;
FIG. 5 is a right side, elevational view thereof;
FIG. 6 is a top plan view thereof;
FIG. 7 is a bottom plan view thereof;
FIG. 8 is a perspective view of a second embodiment, showing my new design;
FIG. 9 is a front plan view thereof;
FIG. 10 is a rear elevational view thereof;
FIG. 11 is a left side, elevational view thereof;
FIG. 12 is a right side, elevational view thereof;
FIG. 13 is a top plan view thereof; and,
FIG. 14 is a bottom plan view thereof.
The broken line showing of a partial chain in FIGS. 1 and 8 is for illustrative purposes only and forms no part of the claimed design.



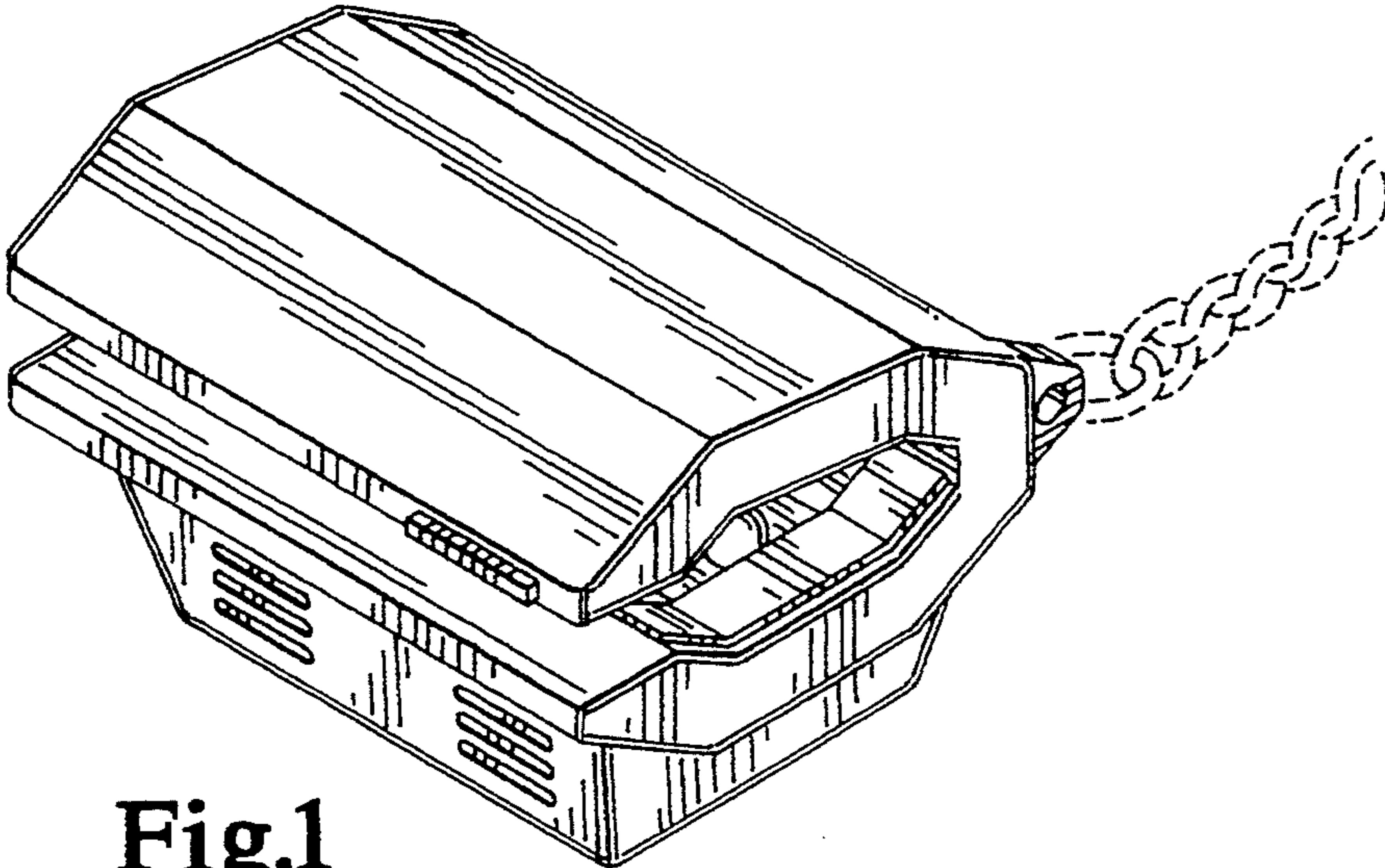


Fig.1

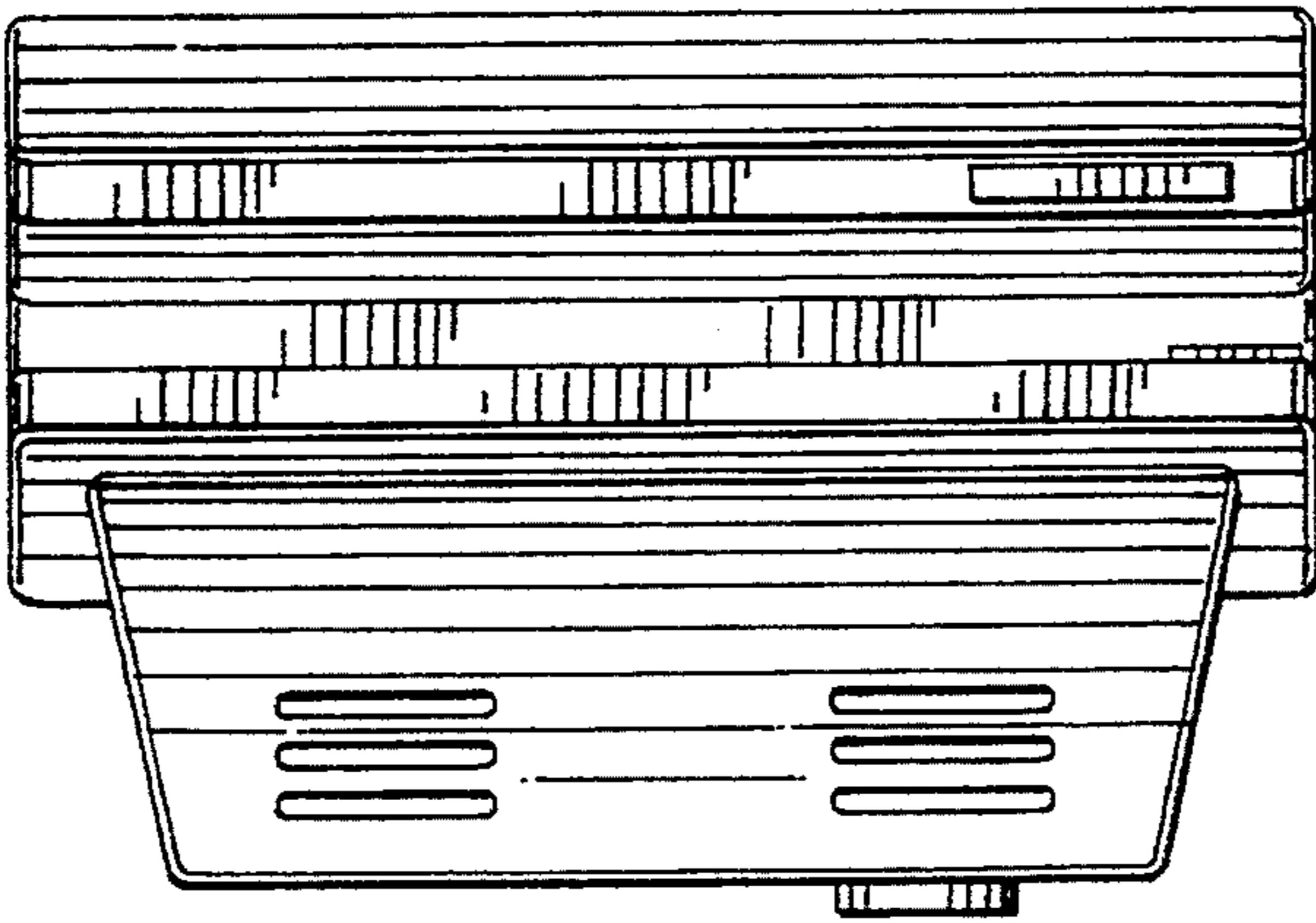


Fig.2

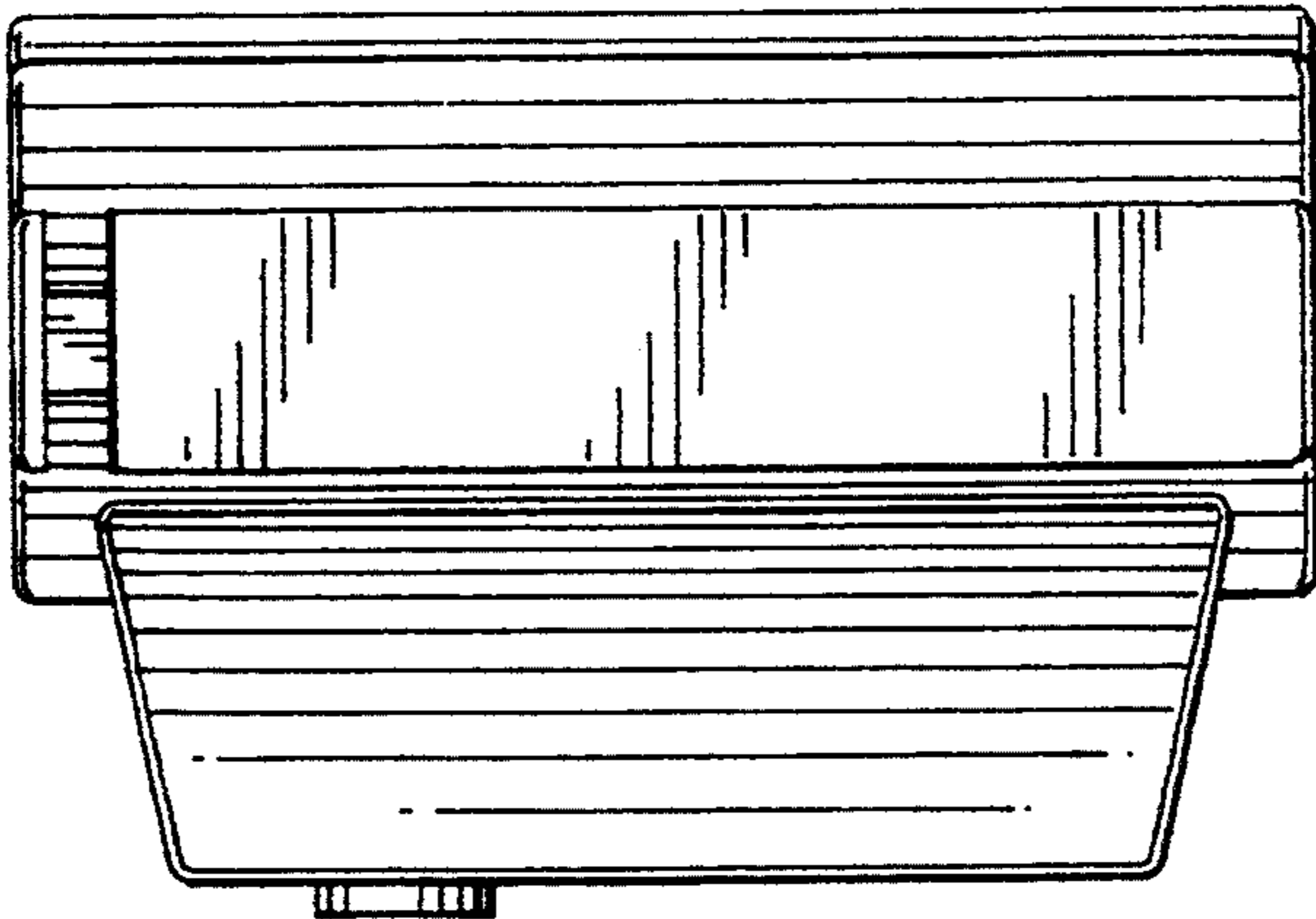


Fig.3

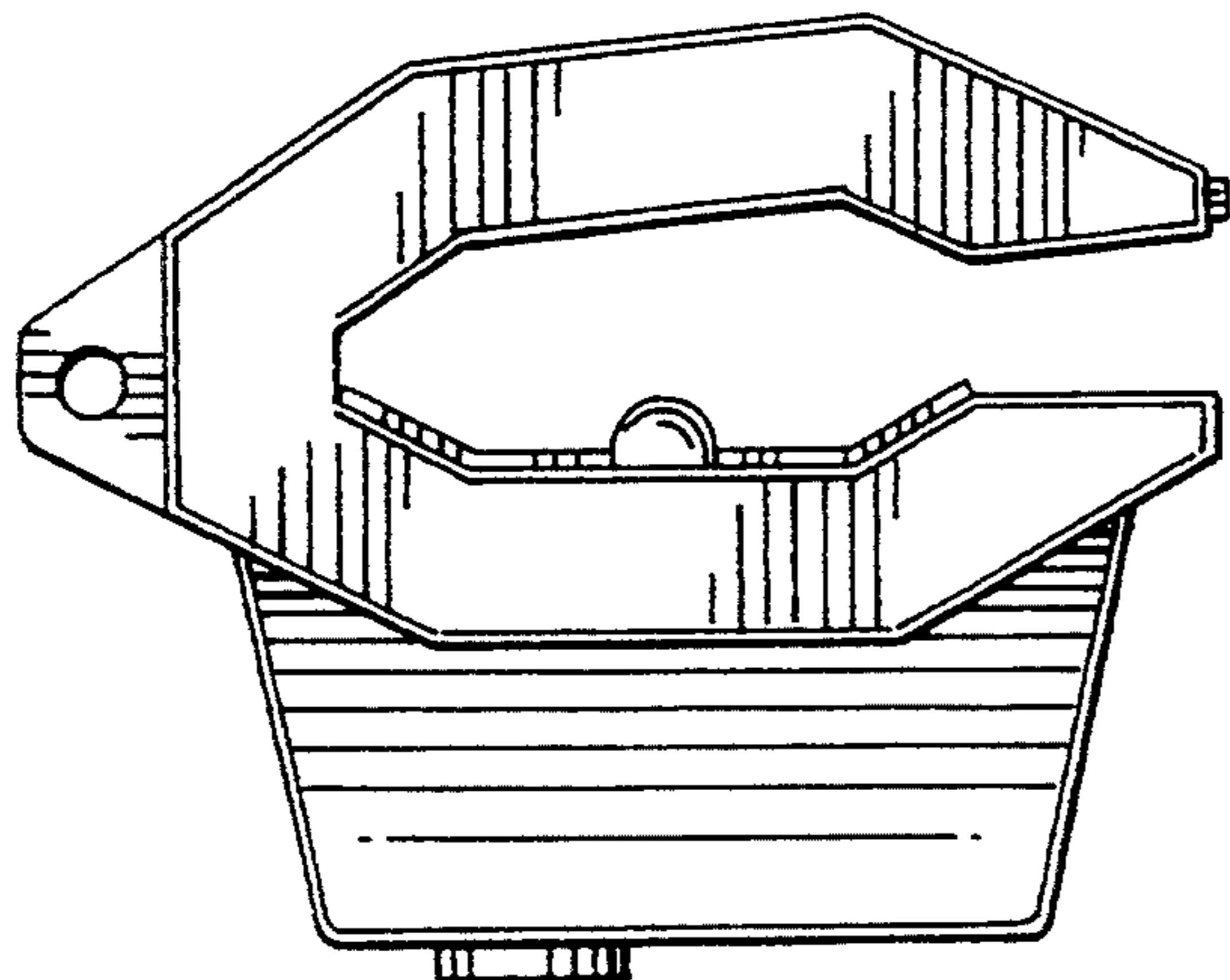


Fig.4

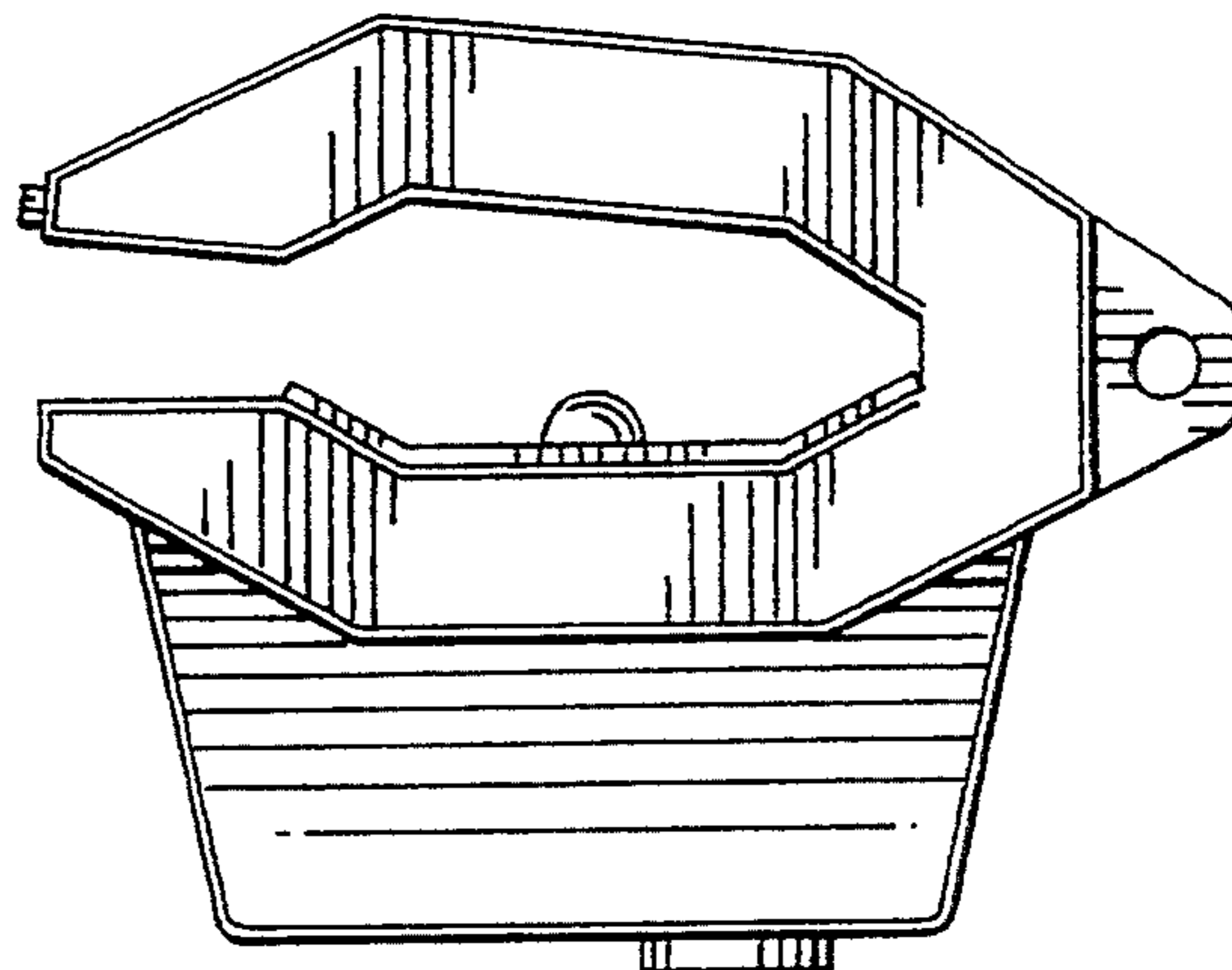


Fig.5

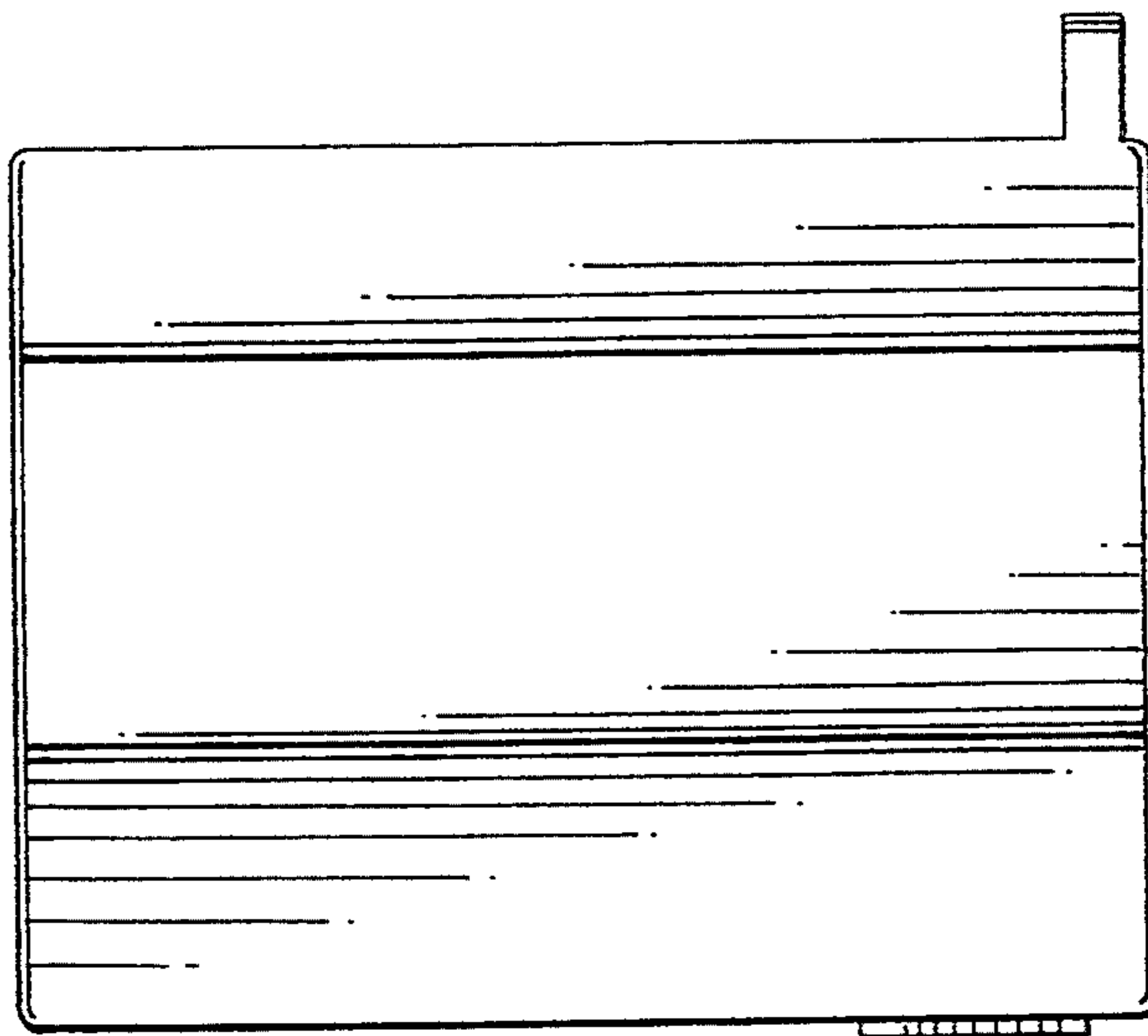


Fig.6

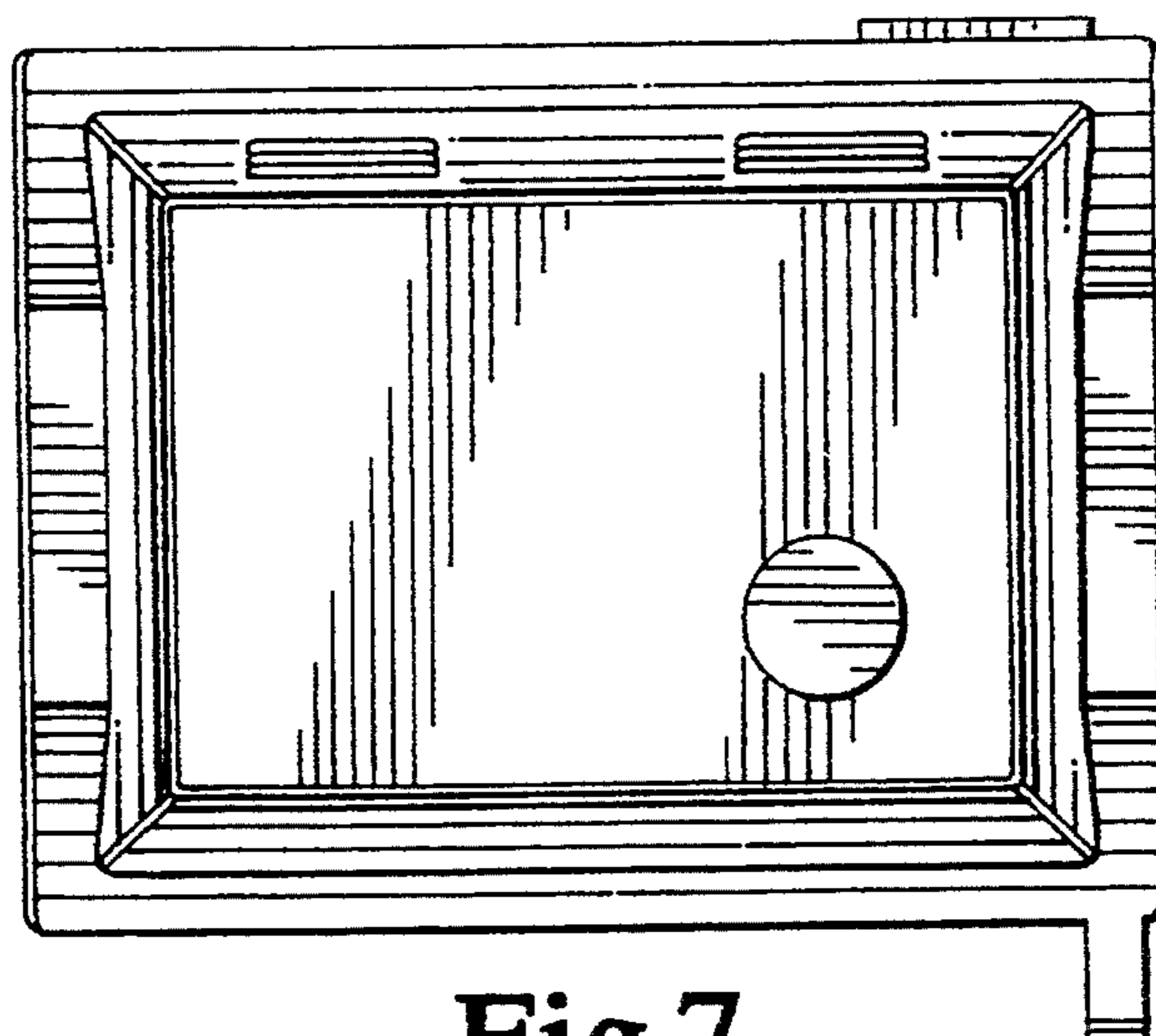


Fig.7

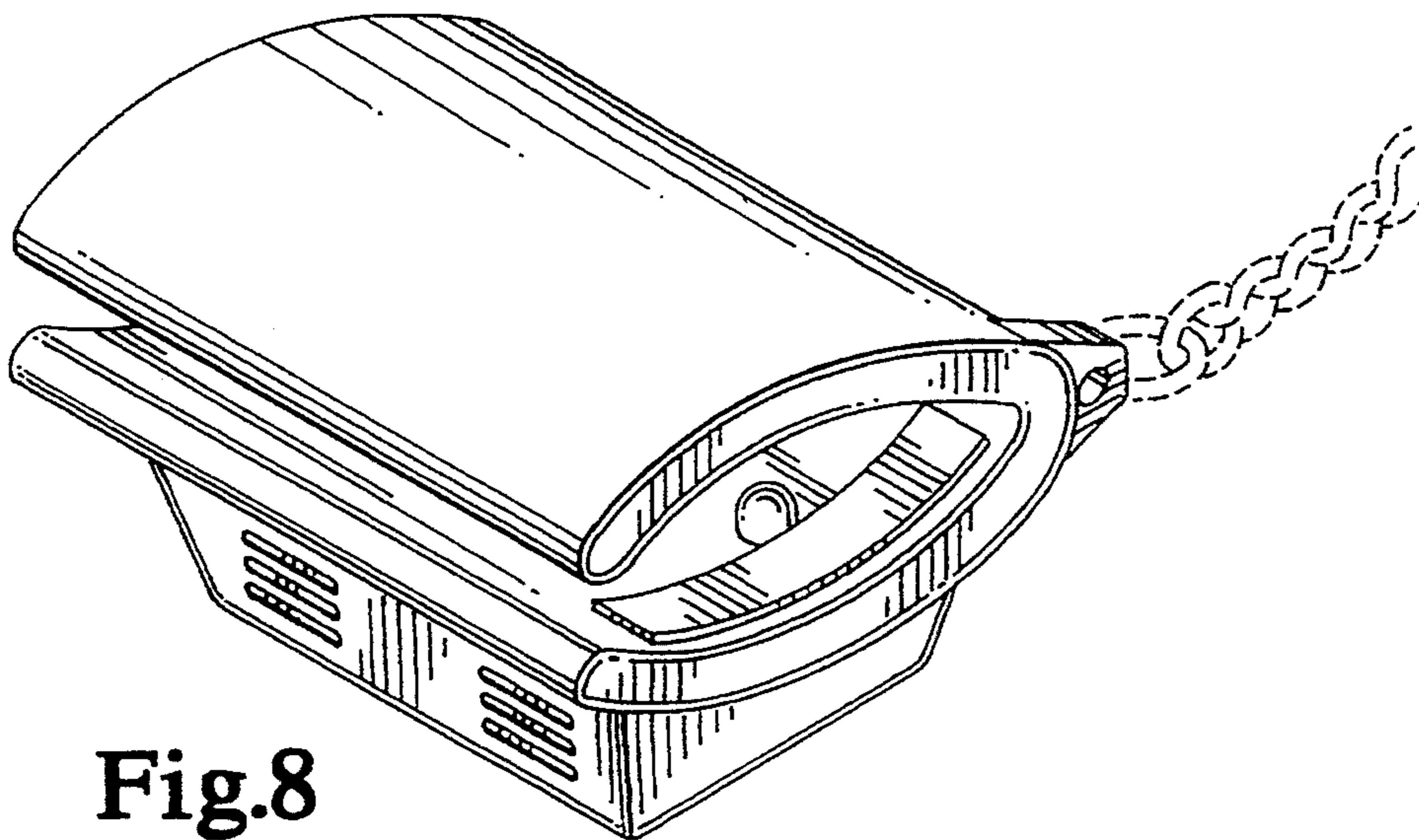


Fig.8

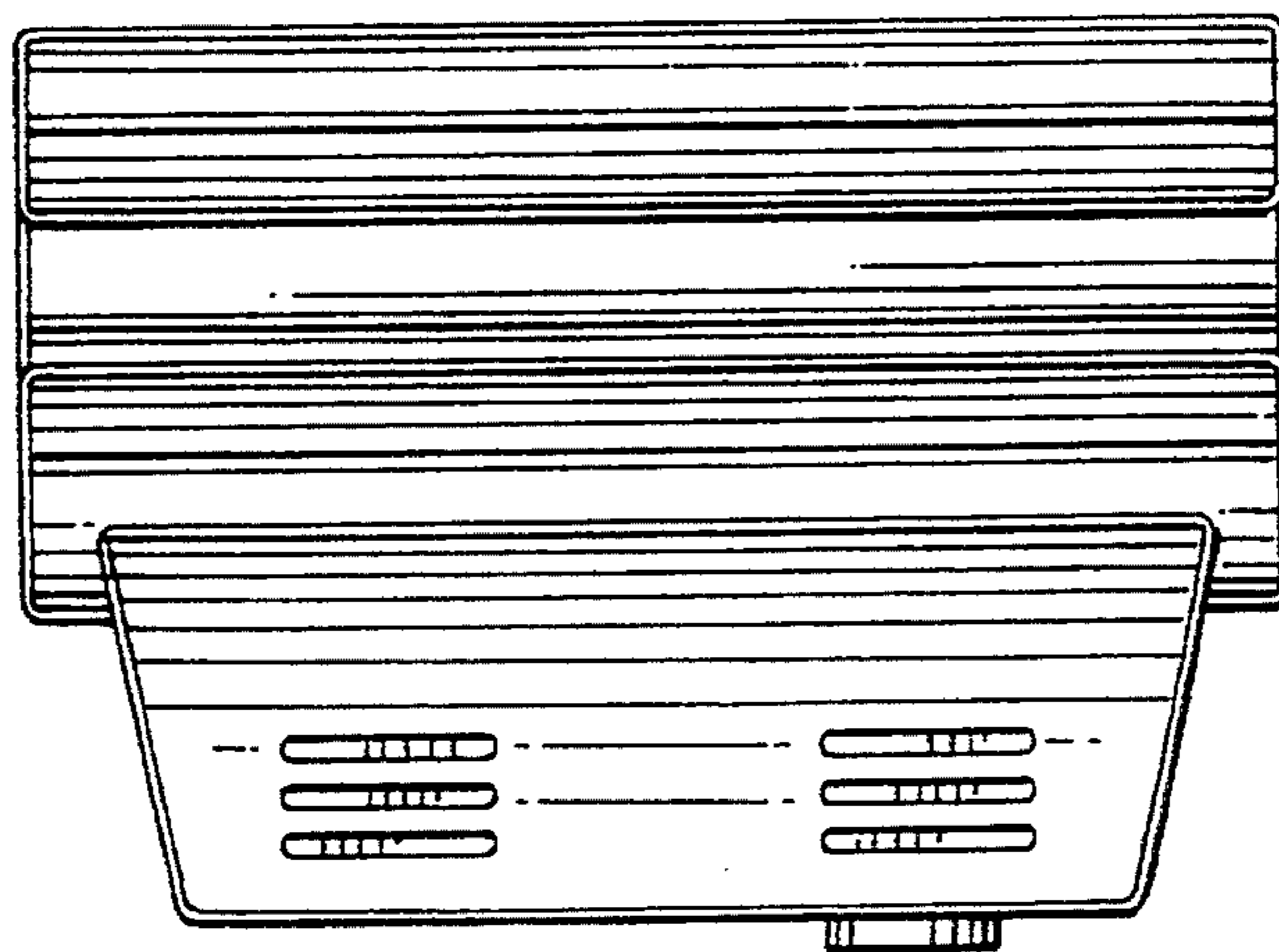


Fig.9

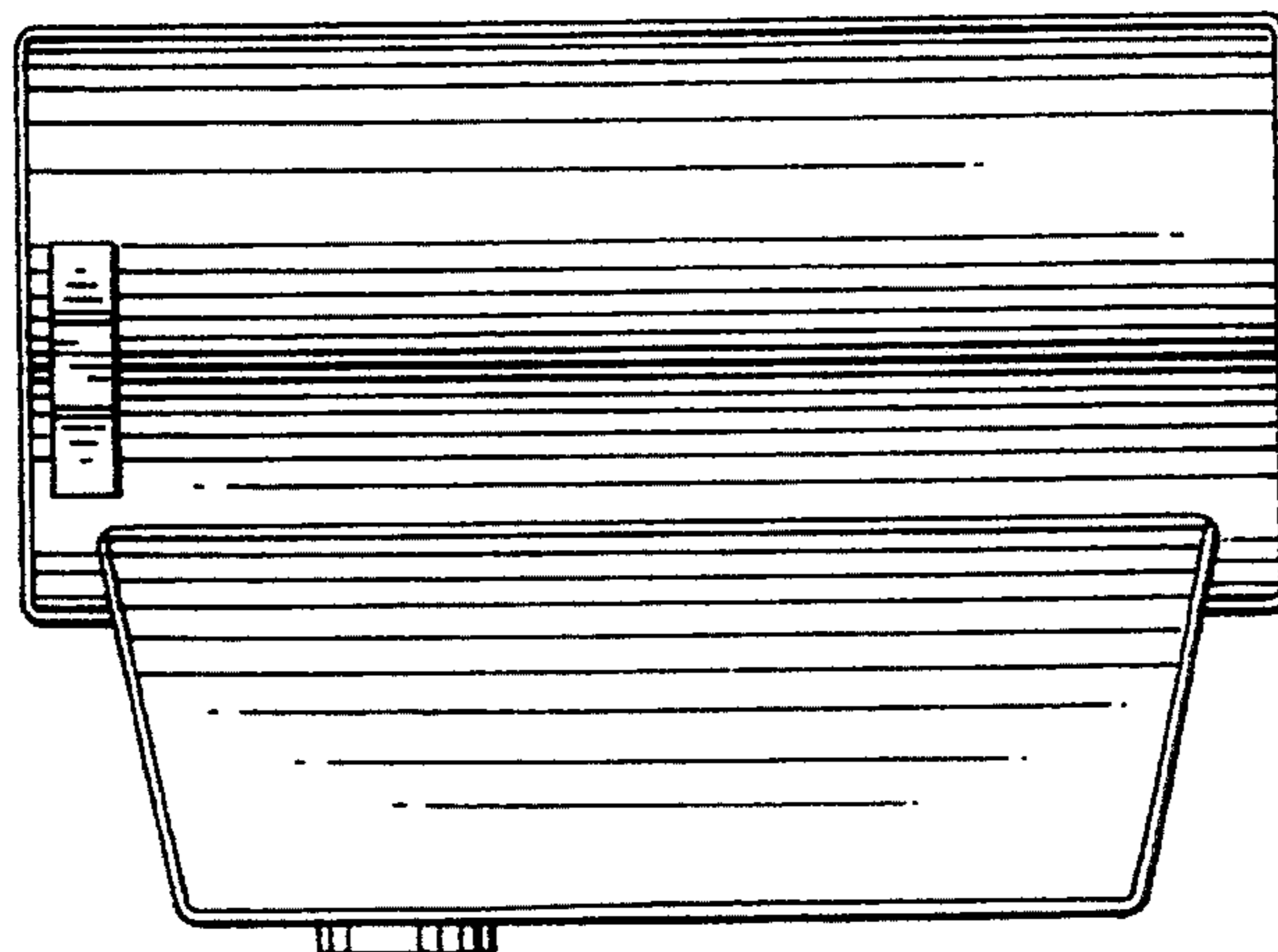


Fig.10

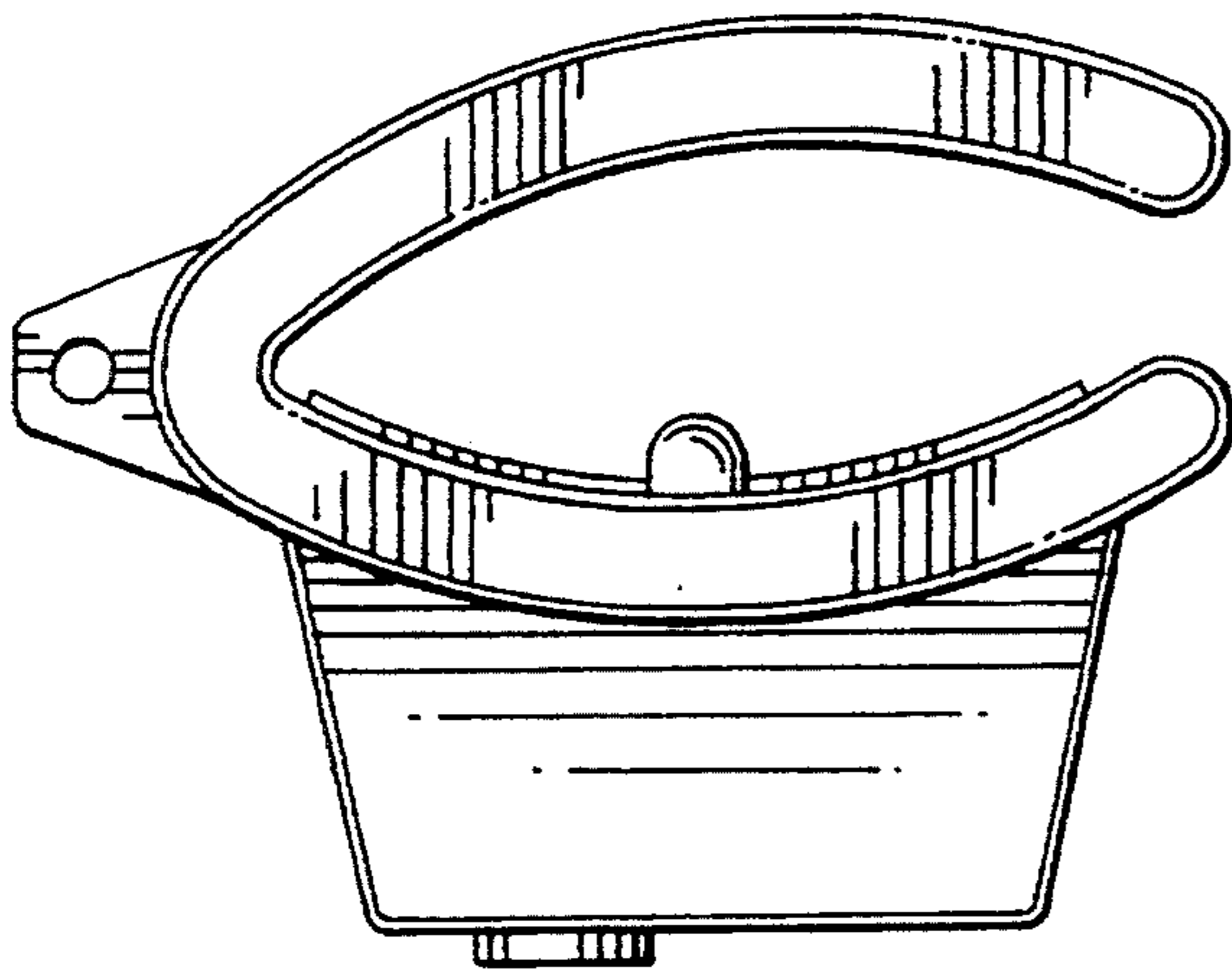


Fig.11

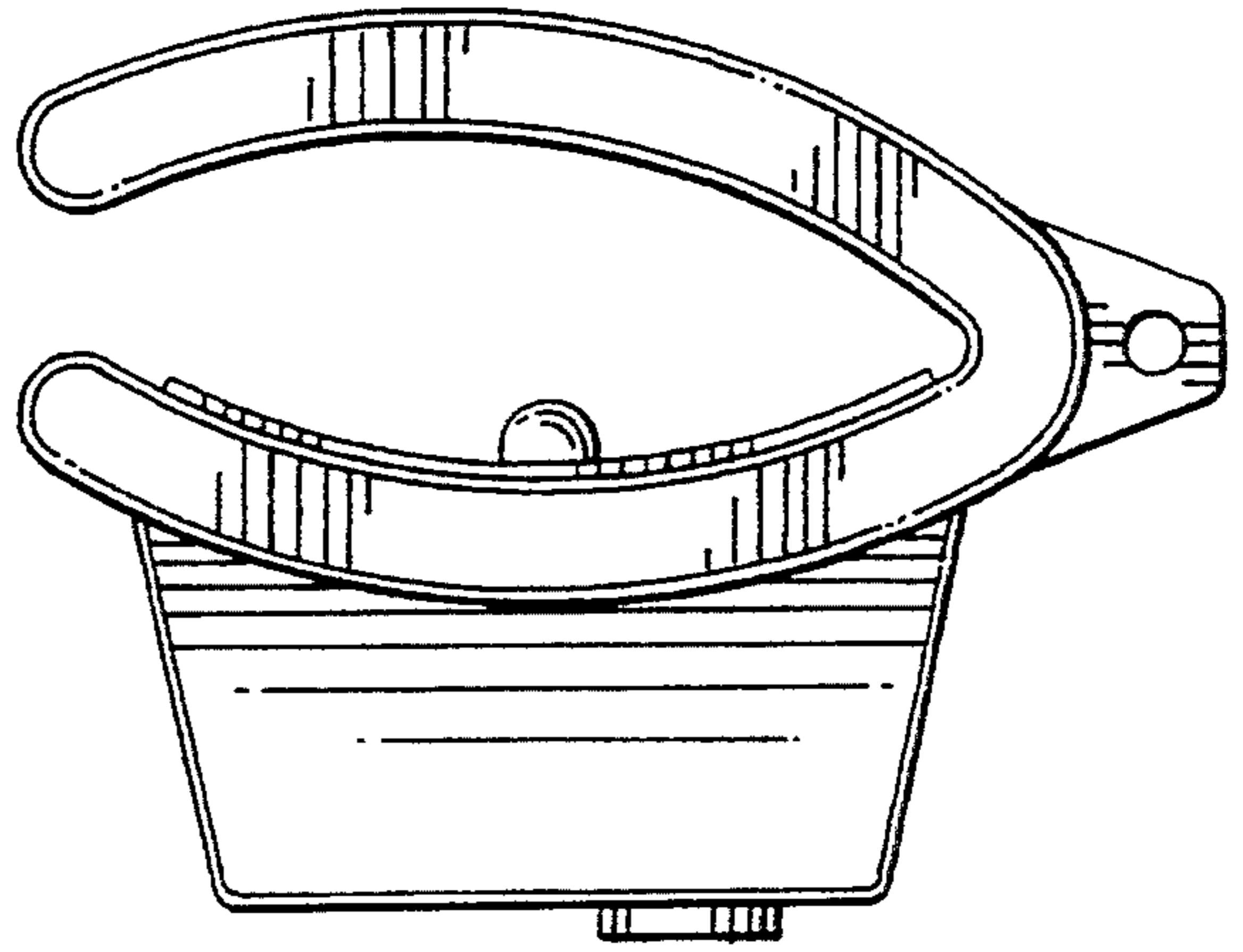


Fig.12

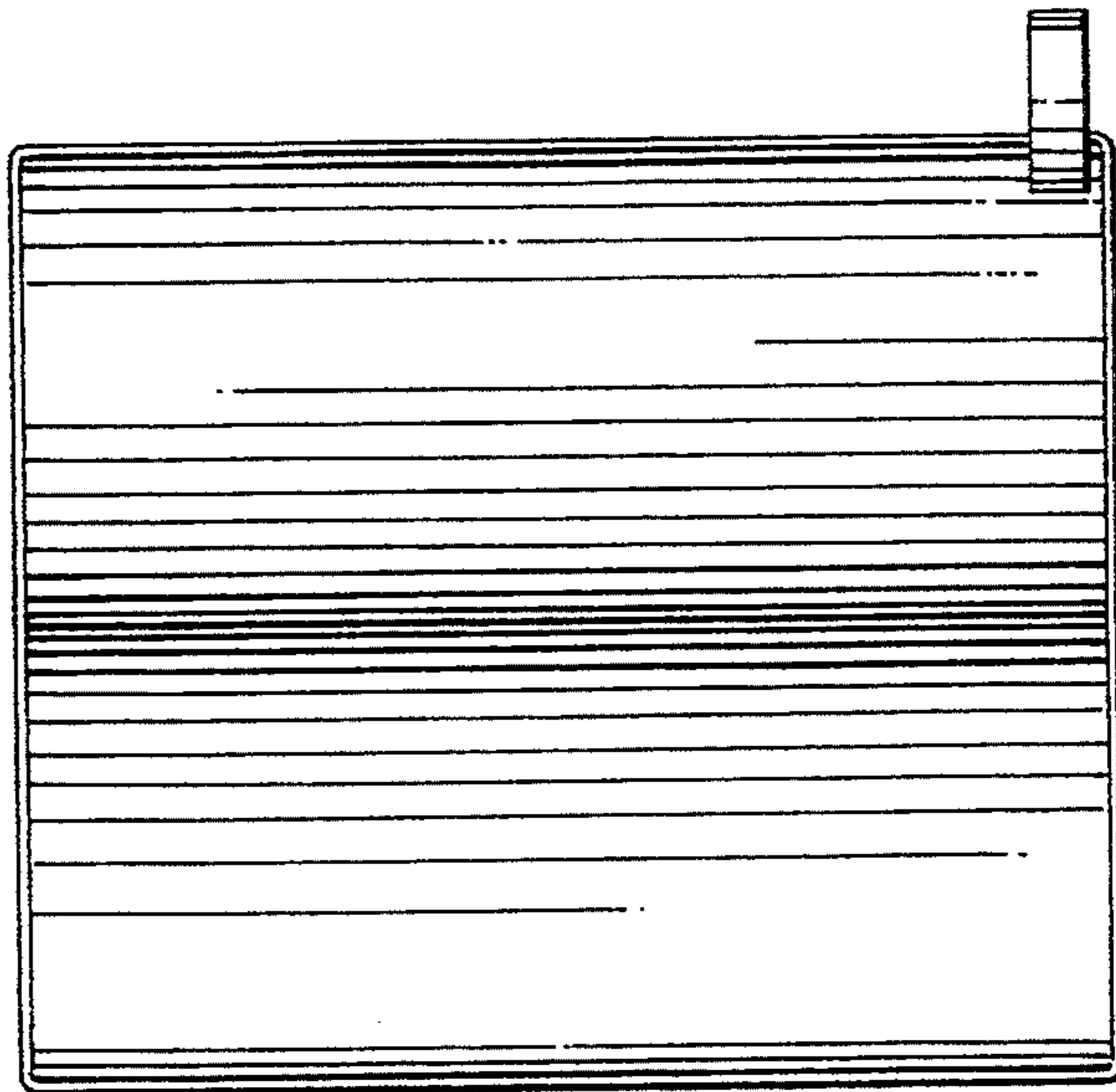


Fig.13

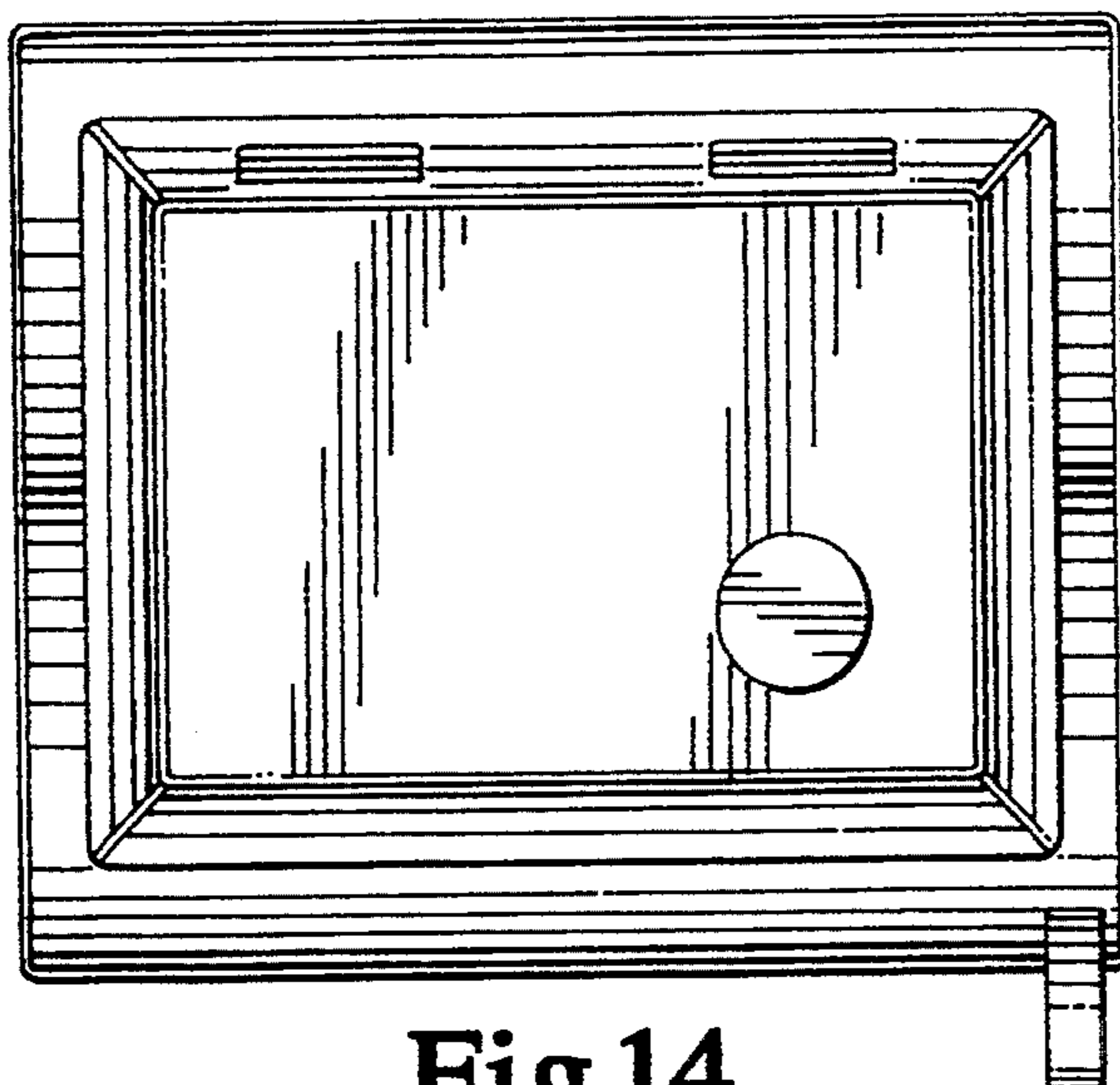


Fig.14