



US00D359163S

# United States Patent [19]

[11] Patent Number: **Des. 359,163**

Summerfield et al.

[45] Date of Patent: **\*\* Jun. 13, 1995**

[54] CONTAINER FOR FEMININE HYGIENE ITEMS

[76] Inventors: **Debbie Summerfield; George Summerfield**, both of 7 Dawson Ave., Toronto, Ontario, Canada, M4J-1E4

[\*\*] Term: **14 Years**

[21] Appl. No.: **15,324**

[22] Filed: **Nov. 15, 1993**

[52] U.S. Cl. .... **D3/205; D3/295**

[58] Field of Search ..... **D3/201, 203, 205, 295, D3/901, 301; 206/581, 569, 566, 545, 570; 190/111, 114, 119; 220/DIG. 26; D9/423; D14/121**

[56] **References Cited**

**U.S. PATENT DOCUMENTS**

D. 160,238	9/1950	Worcester	.....	D3/901	X
2,143,062	1/1939	Ericson et al.	.....	206/581	X
2,146,657	2/1939	Stanley	.....	206/581	X
2,148,557	2/1939	Hook	.		
2,167,926	8/1939	Glasker	.....	206/581	
2,168,073	8/1939	Schinder	.		

2,261,157	11/1941	Holbrook	.....	206/581	
2,604,919	7/1952	Harwood	.....	206/581	X
2,717,620	9/1955	Renz	.....	190/119	
2,804,969	9/1957	Barnett	.....	206/570	X
4,429,793	2/1984	Ehmann	.....	206/545	X
4,964,526	10/1990	Stephens	.		
5,022,521	6/1991	Kane	.....	383/39	X

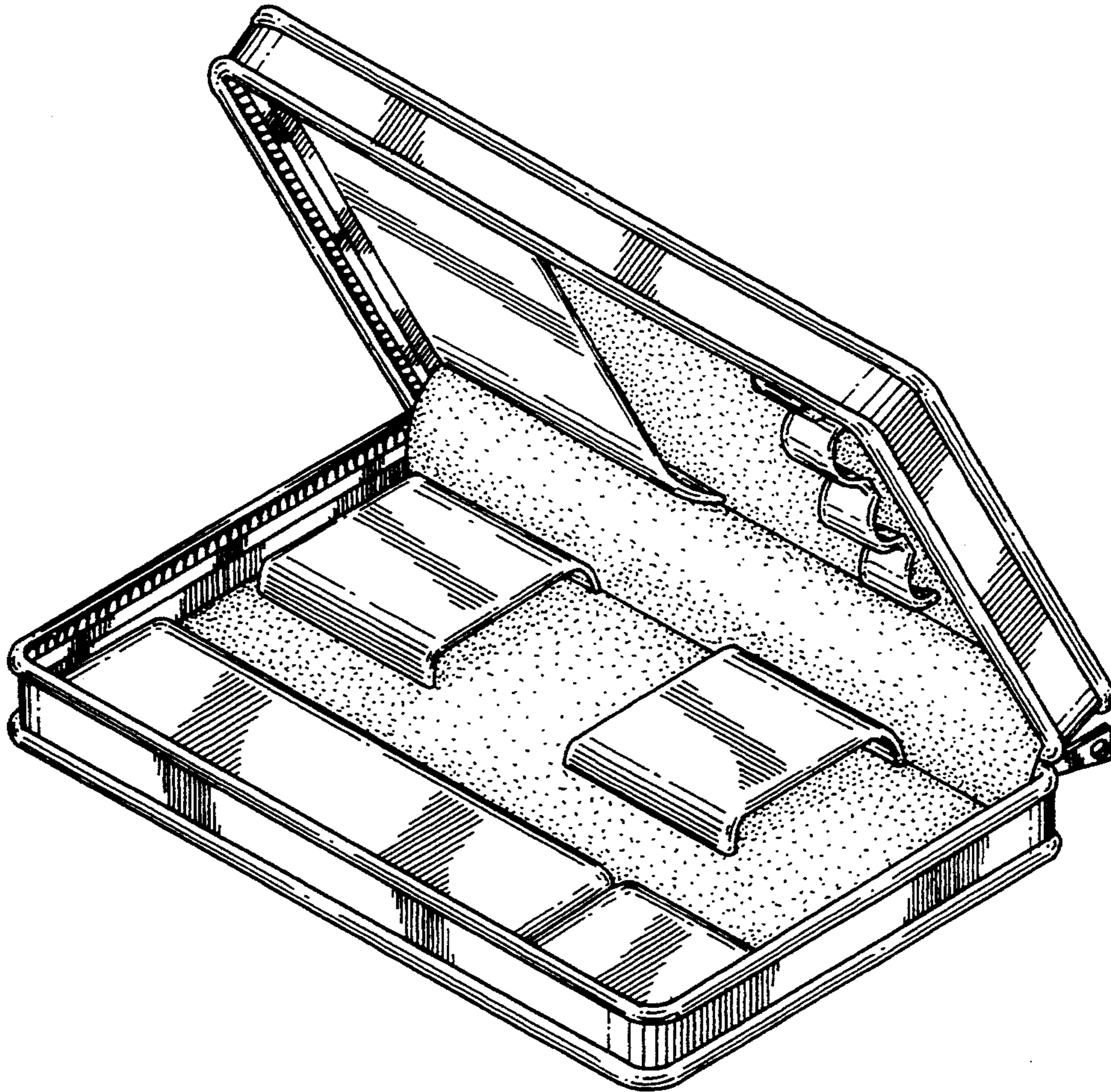
*Primary Examiner*—Prabhakar G. Deshmukh  
*Assistant Examiner*—Paula Mortimer  
*Attorney, Agent, or Firm*—Terry M. Gernstein

[57] **CLAIM**

The ornamental design for a container for feminine hygiene items, as shown and described.

**DESCRIPTION**

FIG. 1 is a front, top and side perspective view of the container for feminine hygiene items showing our new design in the partially open condition; FIG. 2 is a front elevational view thereof; FIG. 3 is a rear elevational view thereof; FIG. 4 is a side elevational view thereof, the side opposite being a mirror image of the side shown in FIG. 4; and, FIG. 5 is a top plan view thereof, the bottom being plane and unornamented.



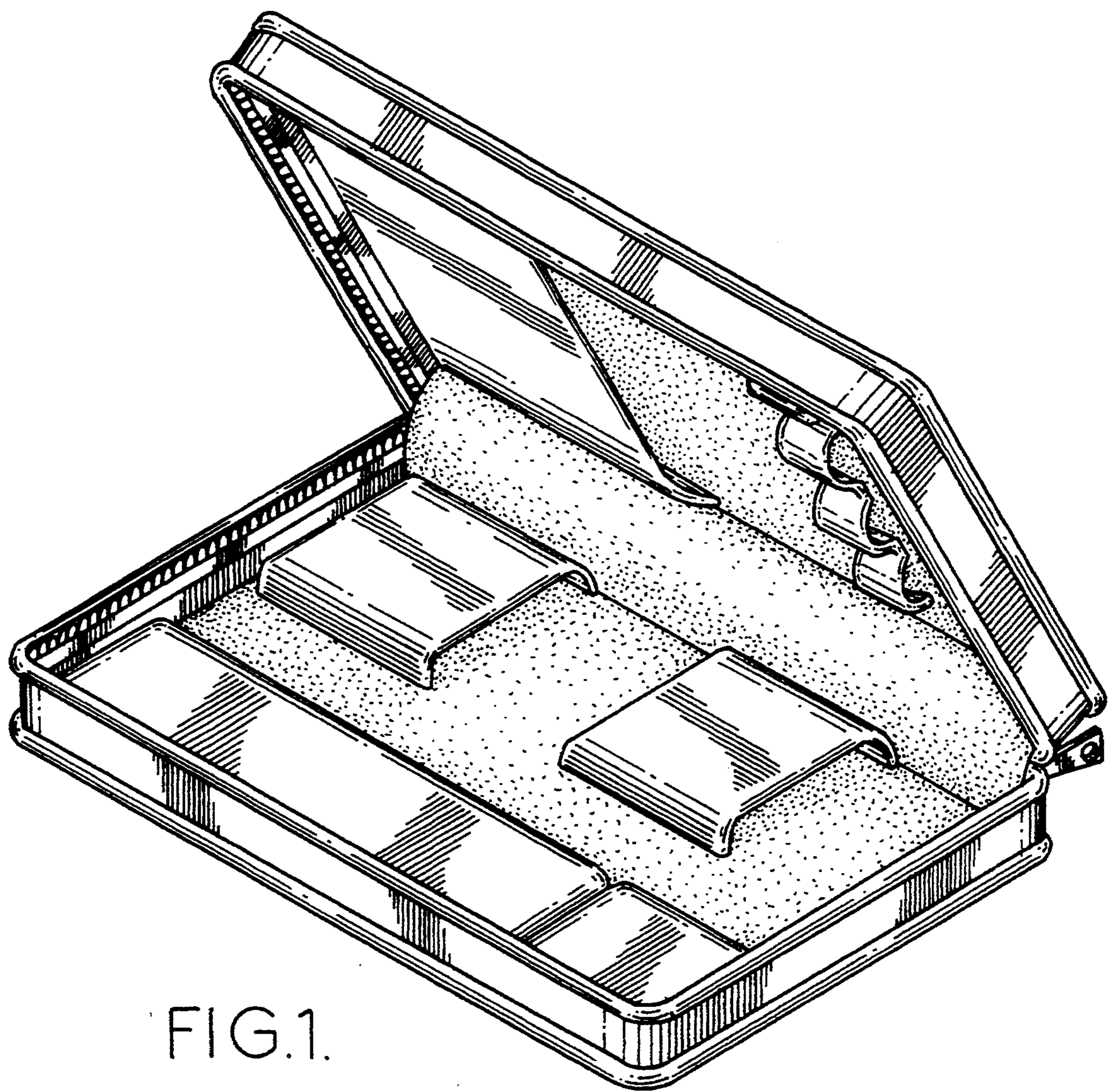


FIG.1.

FIG. 2.

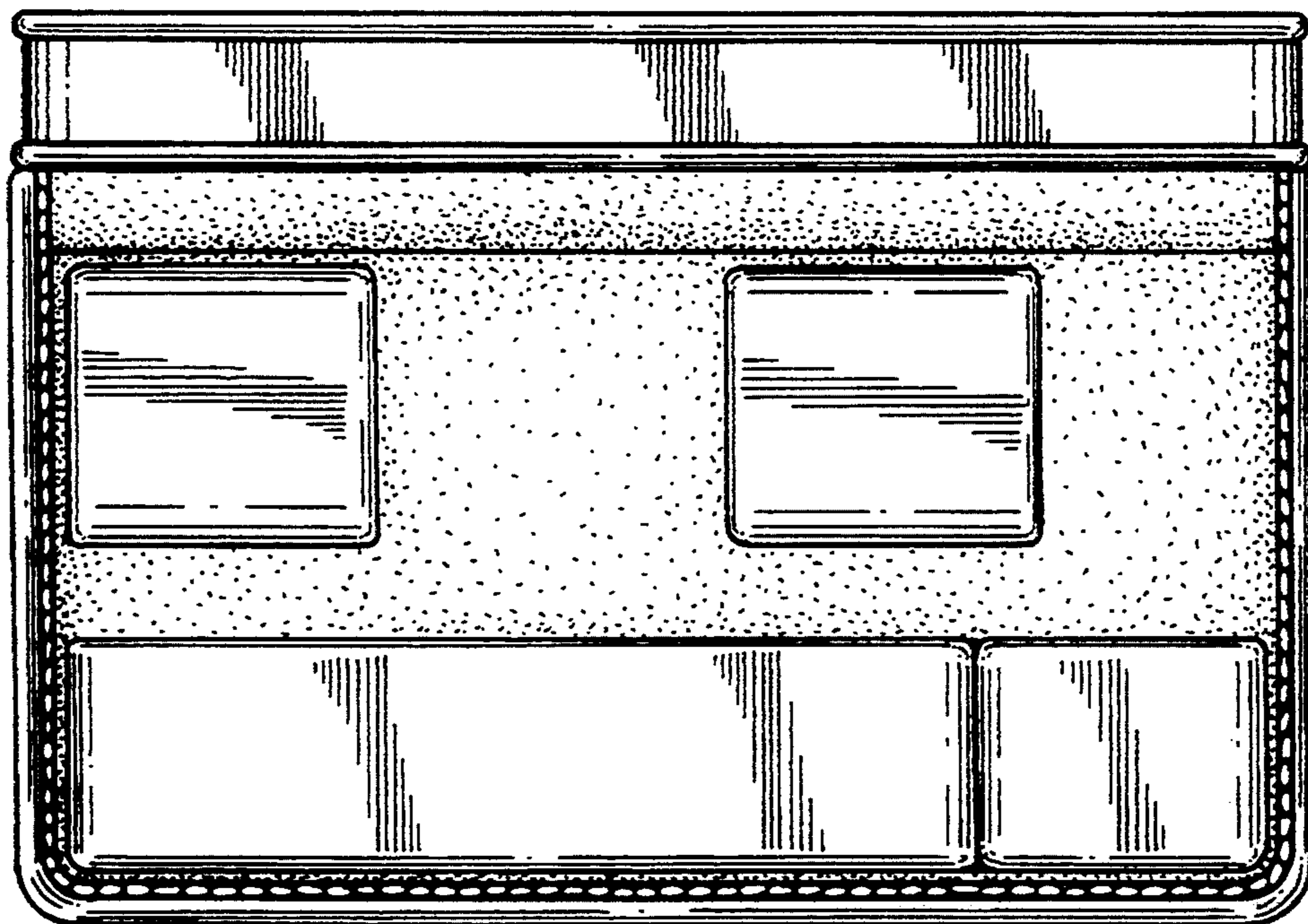
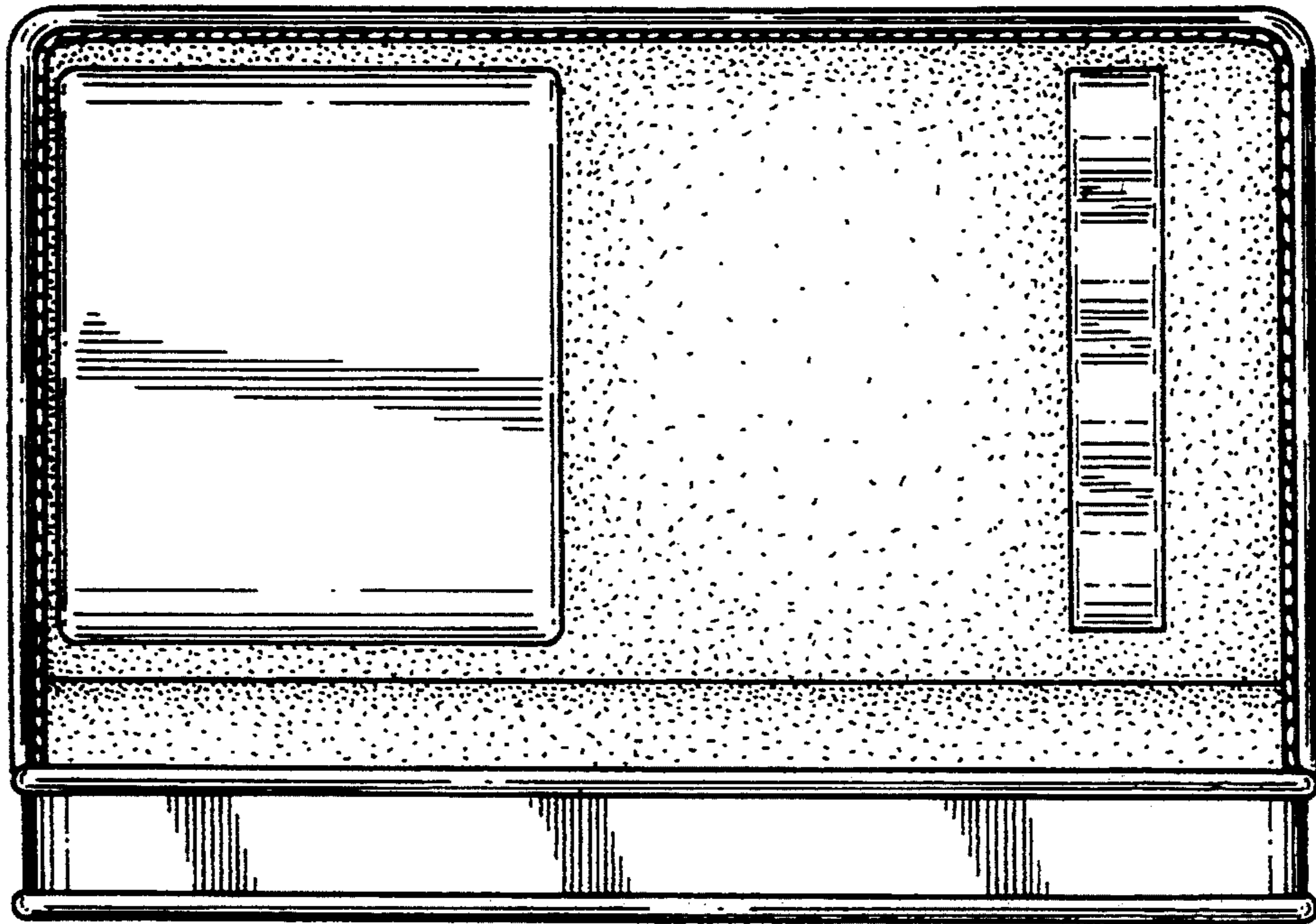


FIG. 5.

FIG. 3.

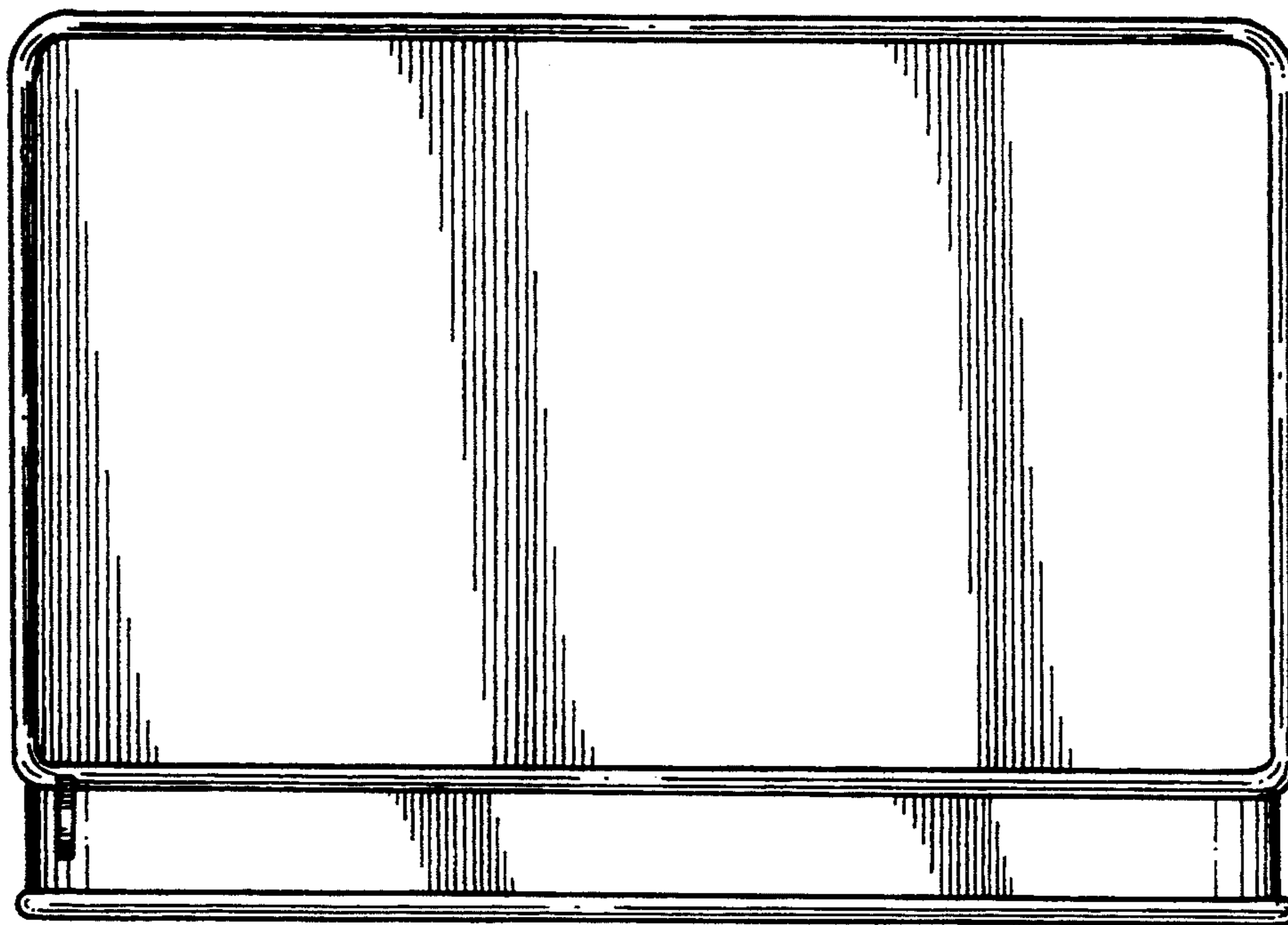


FIG. 4.

