



US00D359154S

# United States Patent [19]

Goodson

[11] Patent Number: **Des. 359,154**

[45] Date of Patent: **\*\* Jun. 13, 1995**

[54] **GLOVE WITH AEROSOL REPELLENT**

5,088,121 2/1992 Wallace ..... 2/160  
5,276,922 1/1994 Floyd, Jr. .... 2/160

[76] Inventor: **Brinkley F. Goodson**, P.O. Box 1709,  
Cumming, Ga. 30130

*Primary Examiner*—Prabhakar G. Deshmukh  
*Assistant Examiner*—Paula Mortimer  
*Attorney, Agent, or Firm*—David L. Baker; Rhodes &  
Ascolillo

[\*\*] Term: **14 Years**

[21] Appl. No.: **16,279**

[57] **CLAIM**

[22] Filed: **Dec. 13, 1993**

[52] U.S. Cl. .... **D2/614**

[58] Field of Search ..... D2/610, 612, 614, 617;  
2/159, 160, 161.1; D29/115-119; 224/219, 218,  
223, 901, 918, 247; 273/32 A

The ornamental design for a glove with aerosol repellent, as shown and described.

**DESCRIPTION**

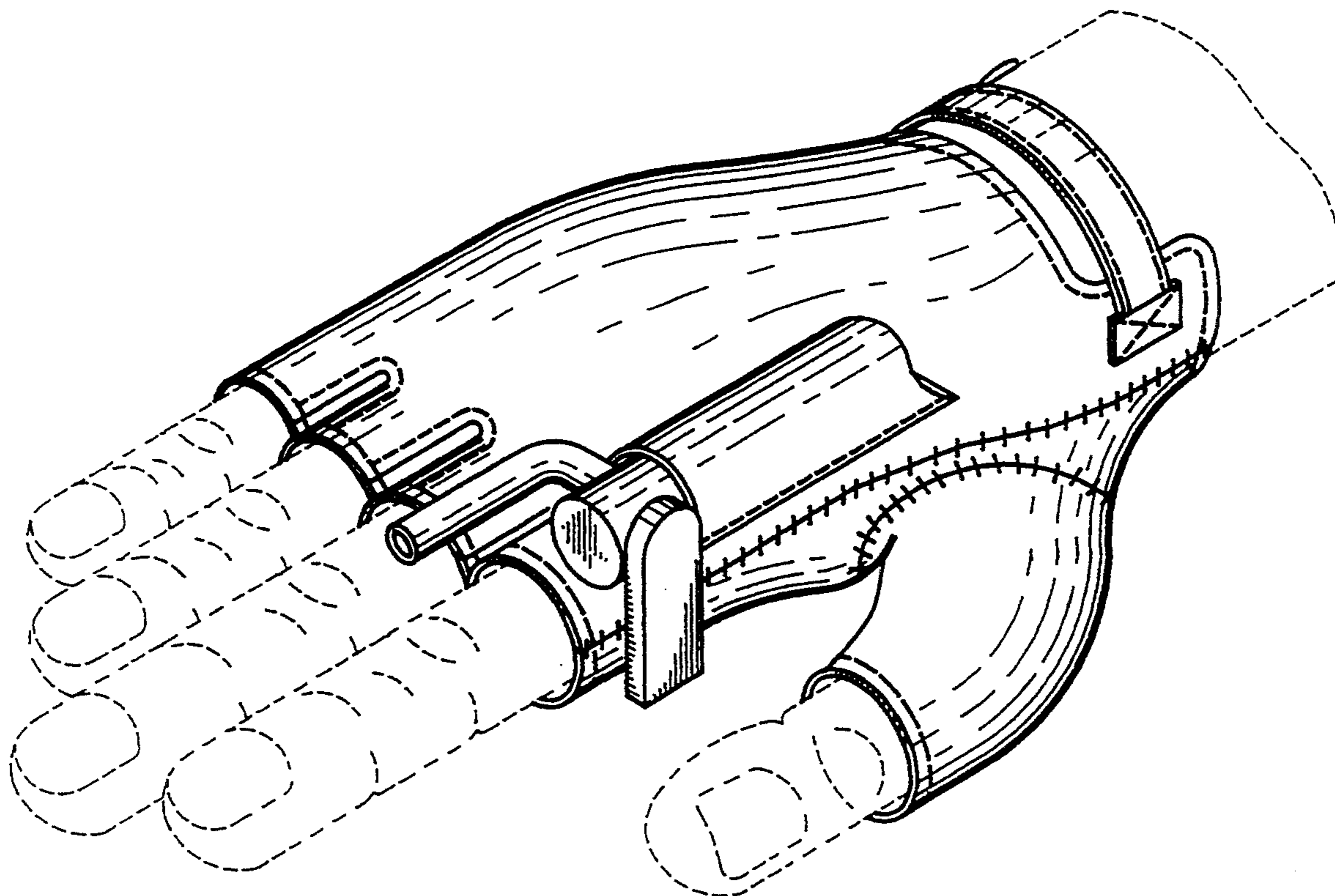
[56] **References Cited**

**U.S. PATENT DOCUMENTS**

|           |         |                 |           |
|-----------|---------|-----------------|-----------|
| 2,187,987 | 1/1940  | Sherrick        | 2/160     |
| 2,294,997 | 9/1942  | Merrion         | 2/160     |
| 3,124,806 | 3/1964  | Campbell et al. | D2/614 X  |
| 3,629,867 | 12/1971 | Taylor          | 2/160     |
| 3,638,011 | 1/1972  | Bain et al.     | 2/160 X   |
| 4,326,706 | 4/1982  | Guthrie et al.  | 2/160 X   |
| 4,504,980 | 3/1985  | Butcher         | 2/161.1 X |

FIG. 1 is an enlarged perspective view of a glove with aerosol repellent showing my new design, the broken lines showing of the human form is for illustrative purposes;

FIG. 2 is a top plan view;  
FIG. 3 is a right side elevational view;  
FIG. 4 is a left side elevational view;  
FIG. 5 is a bottom plan view;  
FIG. 6 is a front elevational view; and,  
FIG. 7 is a rear elevational view.



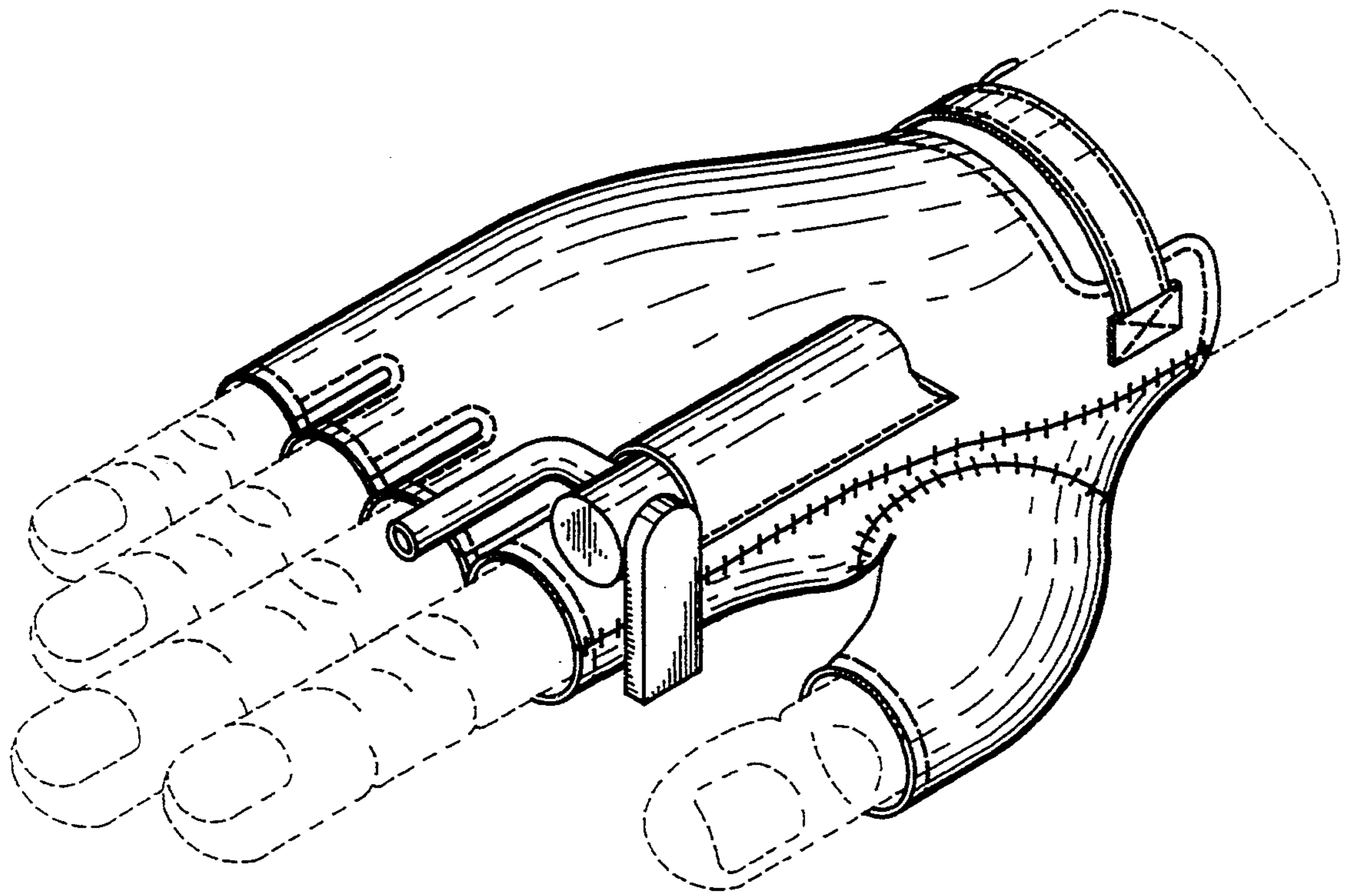


FIGURE 1

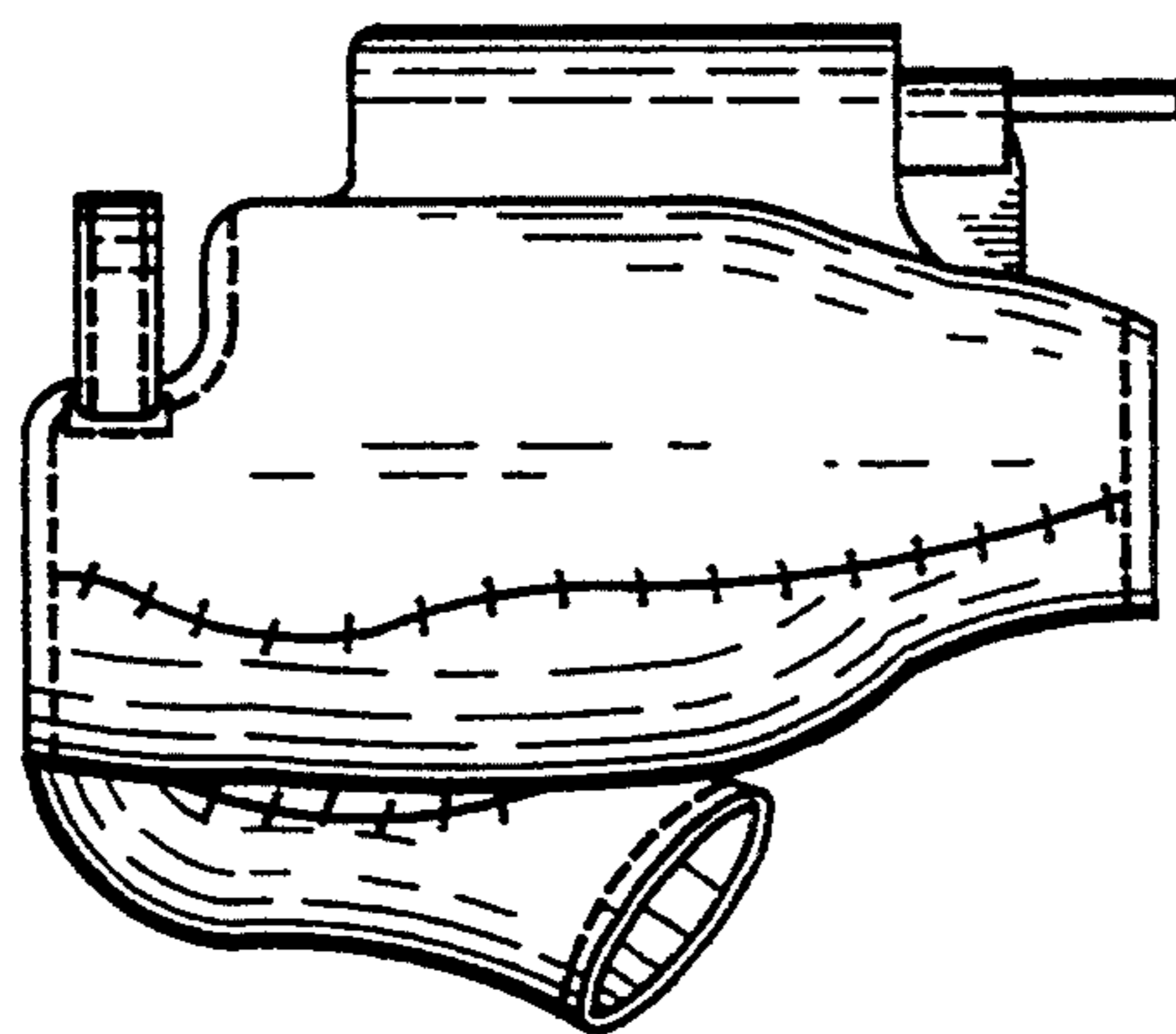


FIGURE 3

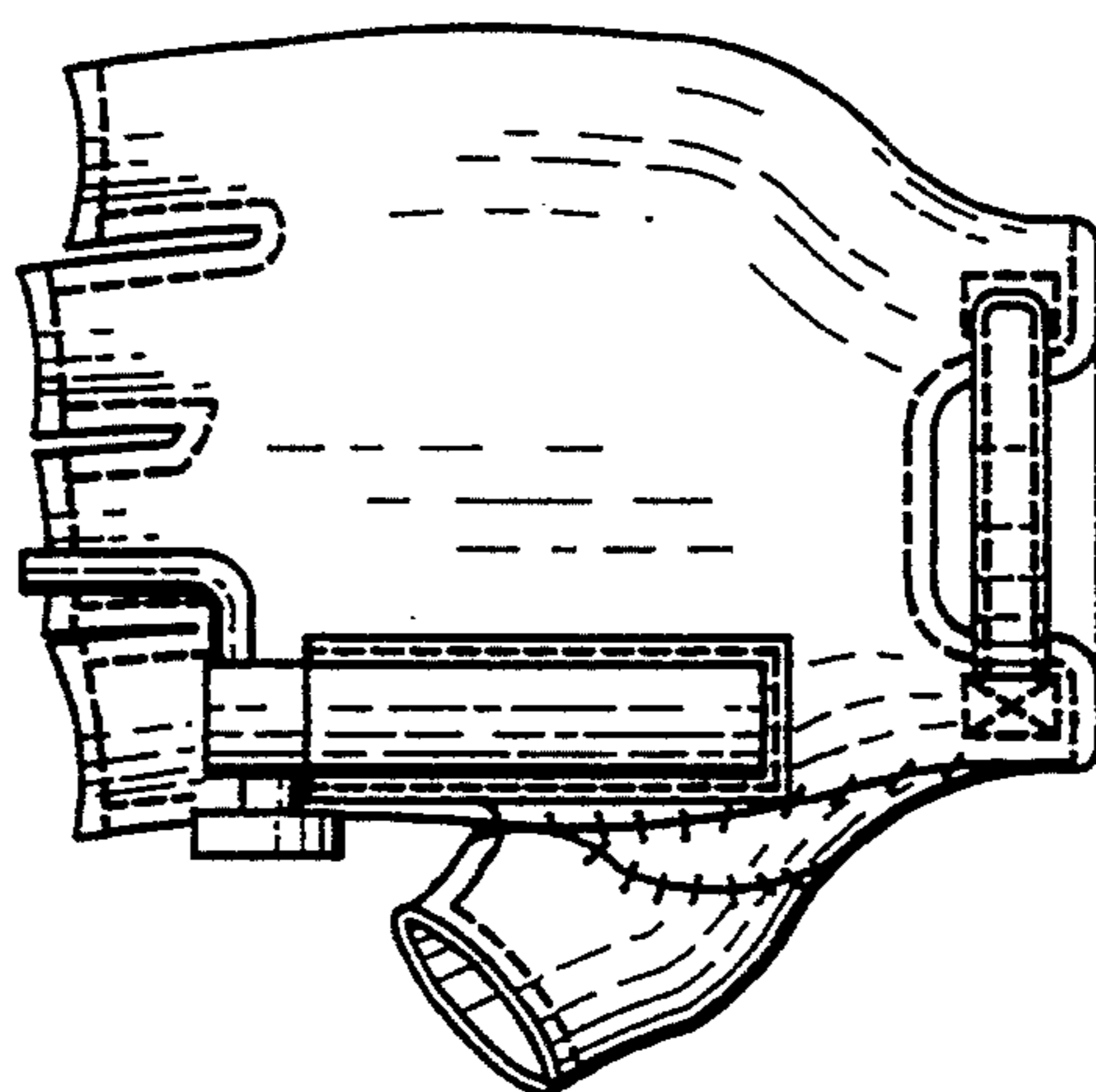


FIGURE 2

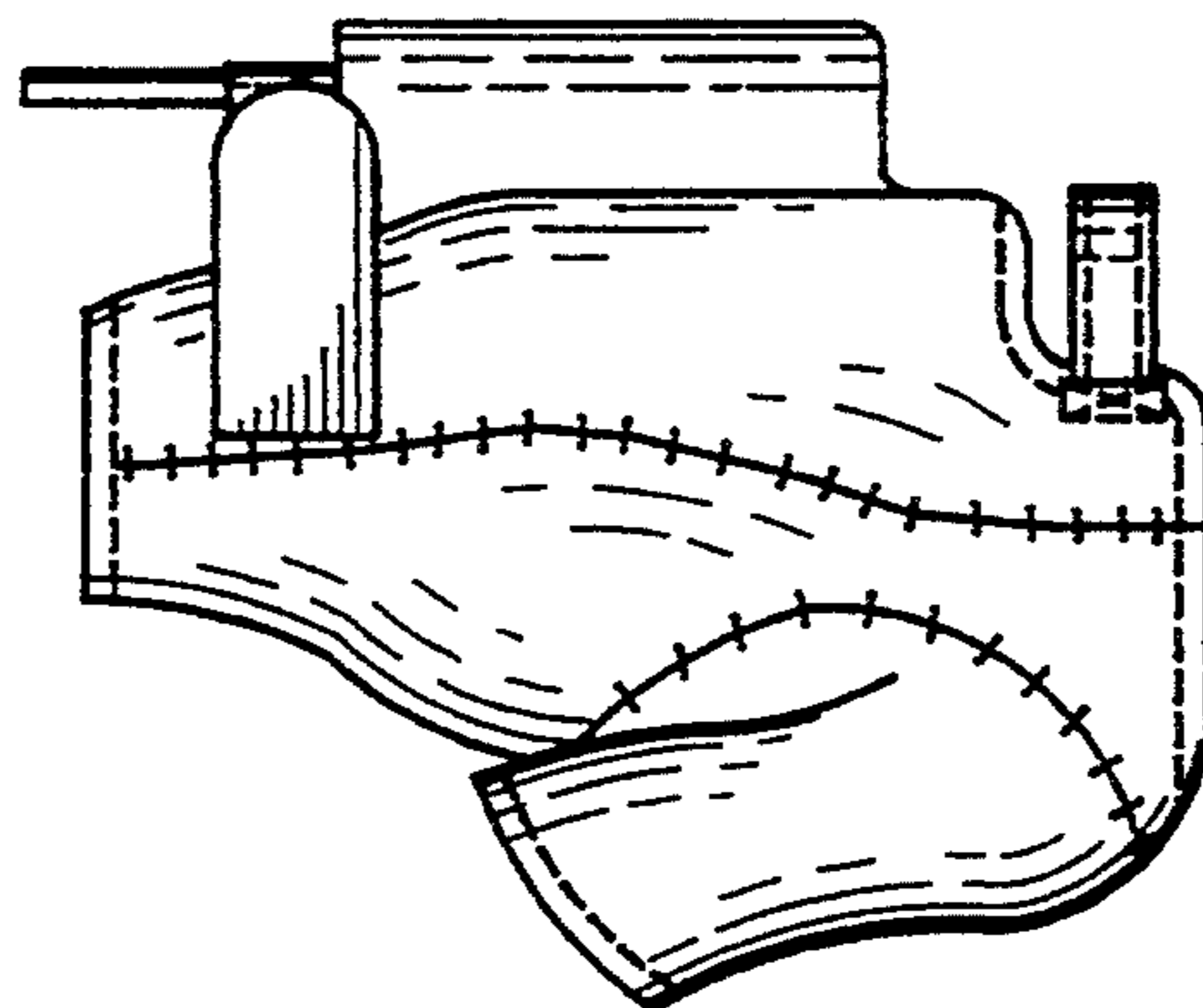


FIGURE 4

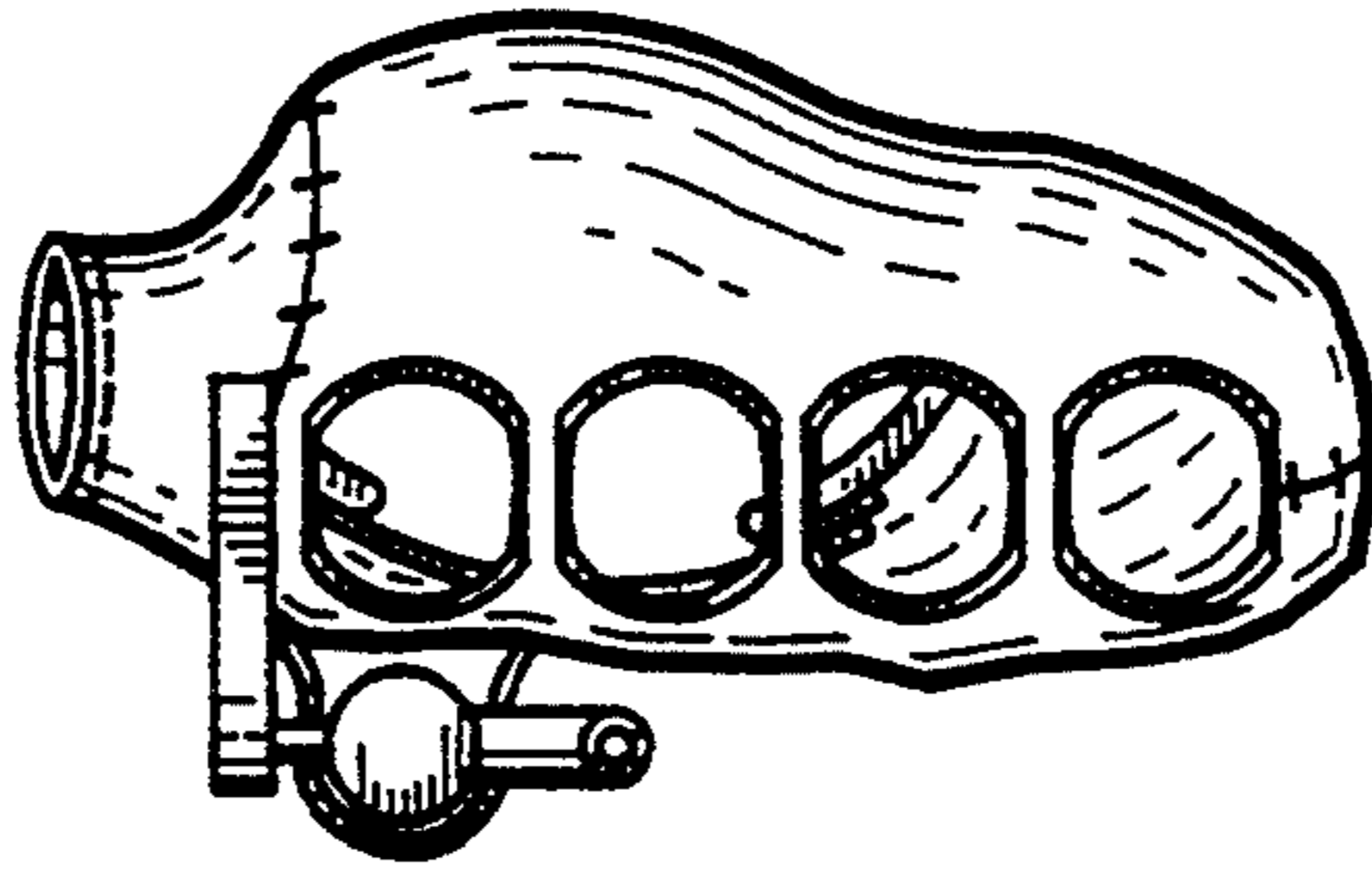


FIGURE 6

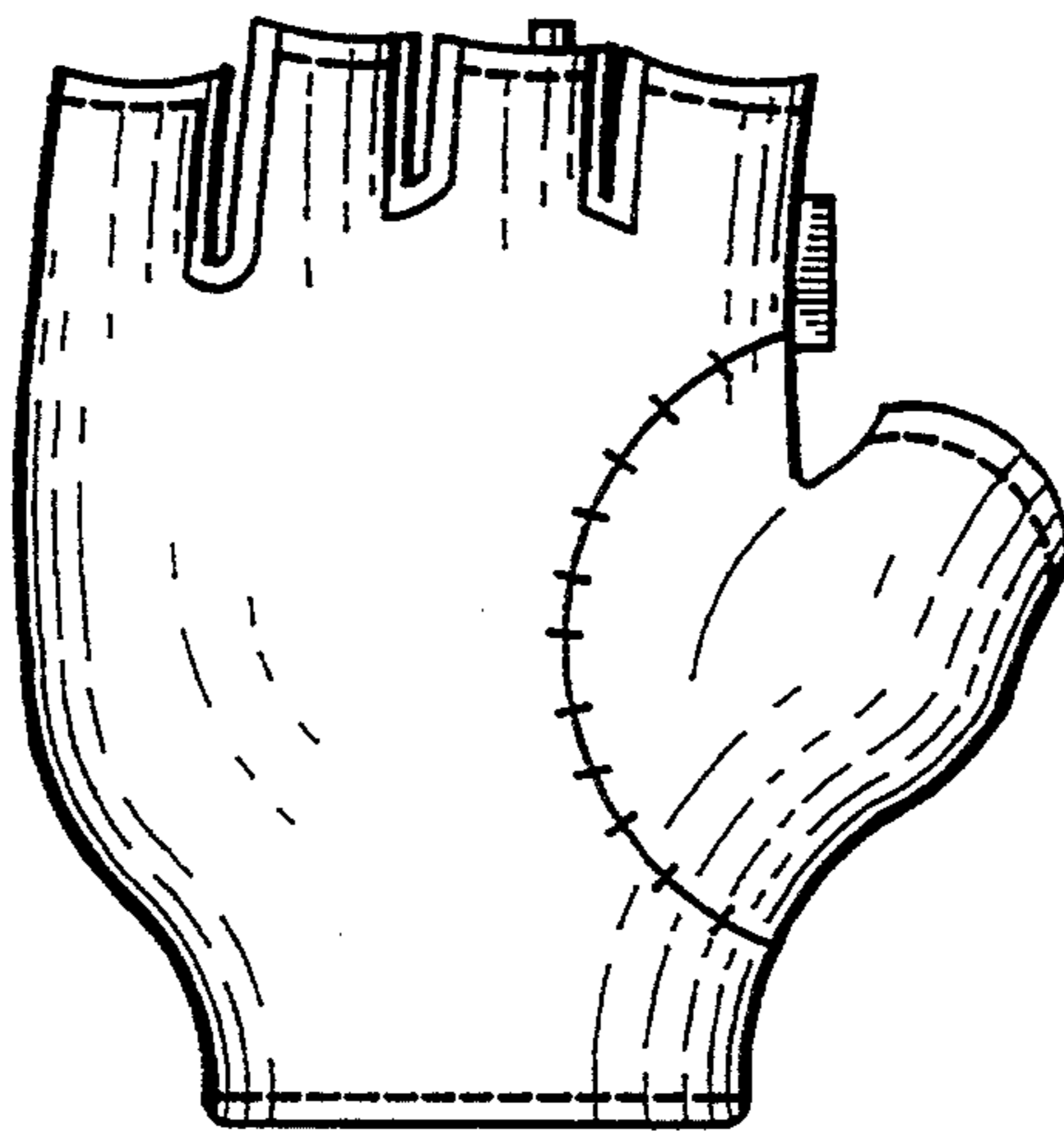


FIGURE 5

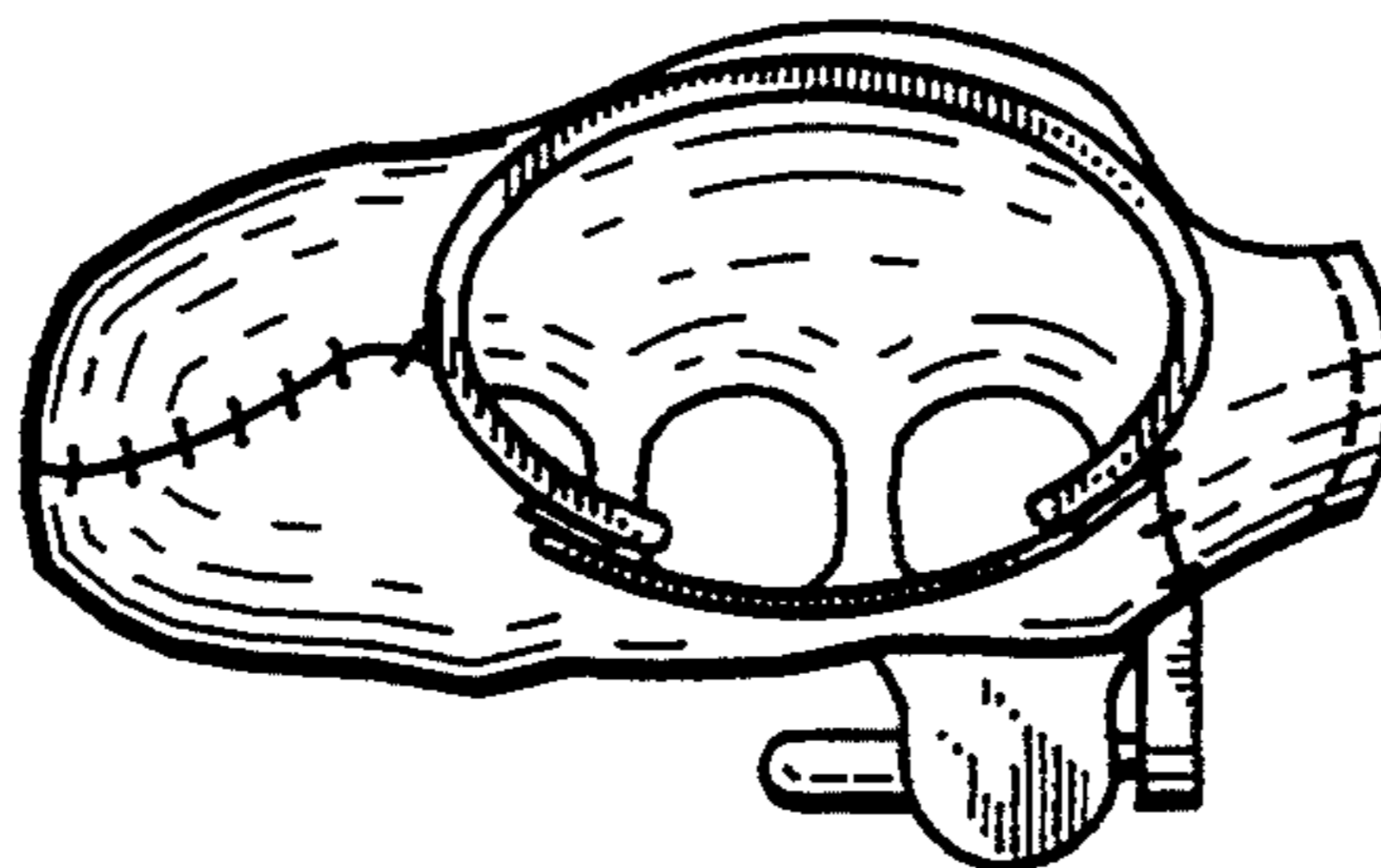


FIGURE 7