



US00D359151S

United States Patent [19]

[11] Patent Number: **Des. 359,151**

Stewart

[45] Date of Patent: **** Jun. 6, 1995**

[54] GRAVE MARKER

Attorney, Agent, or Firm—Saliwanchik & Saliwanchik

[76] Inventor: **Wallace W. Stewart**, 430 S. Highway, Cosby, Tenn. 37722

[57] **CLAIM**

The ornamental design for a grave marker, as shown and described.

[**] Term: **14 Years**

DESCRIPTION

[21] Appl. No.: **26,803**

FIG. 1 is a front perspective view of a grave marker showing the design;

[22] Filed: **Aug. 5, 1994**

FIG. 2 is a left side elevational view thereof, the right side being a substantial mirror image thereof;

[52] U.S. Cl. **D99/17**

FIG. 3 is a front elevational view thereof, the rear view being a substantial mirror image thereof;

[58] Field of Search **D99/17, 157, 113-118; 40/124.5; 52/102-104**

FIG. 4 is a top plan view thereof;

[56] **References Cited**

U.S. PATENT DOCUMENTS

- D. 333,029 2/1993 Hartline D99/17
- 3,423,864 1/1969 Wilson 40/124.5
- 3,481,089 12/1969 Sheidon 52/103

FIG. 5 is a bottom plan view thereof;

FIG. 6 is a front perspective view of a grave marker showing a second embodiment of the design, the sole difference being the addition of a second book piece; and,

Primary Examiner—Doris Clark

FIG. 7 is an exploded view of FIG. 1.

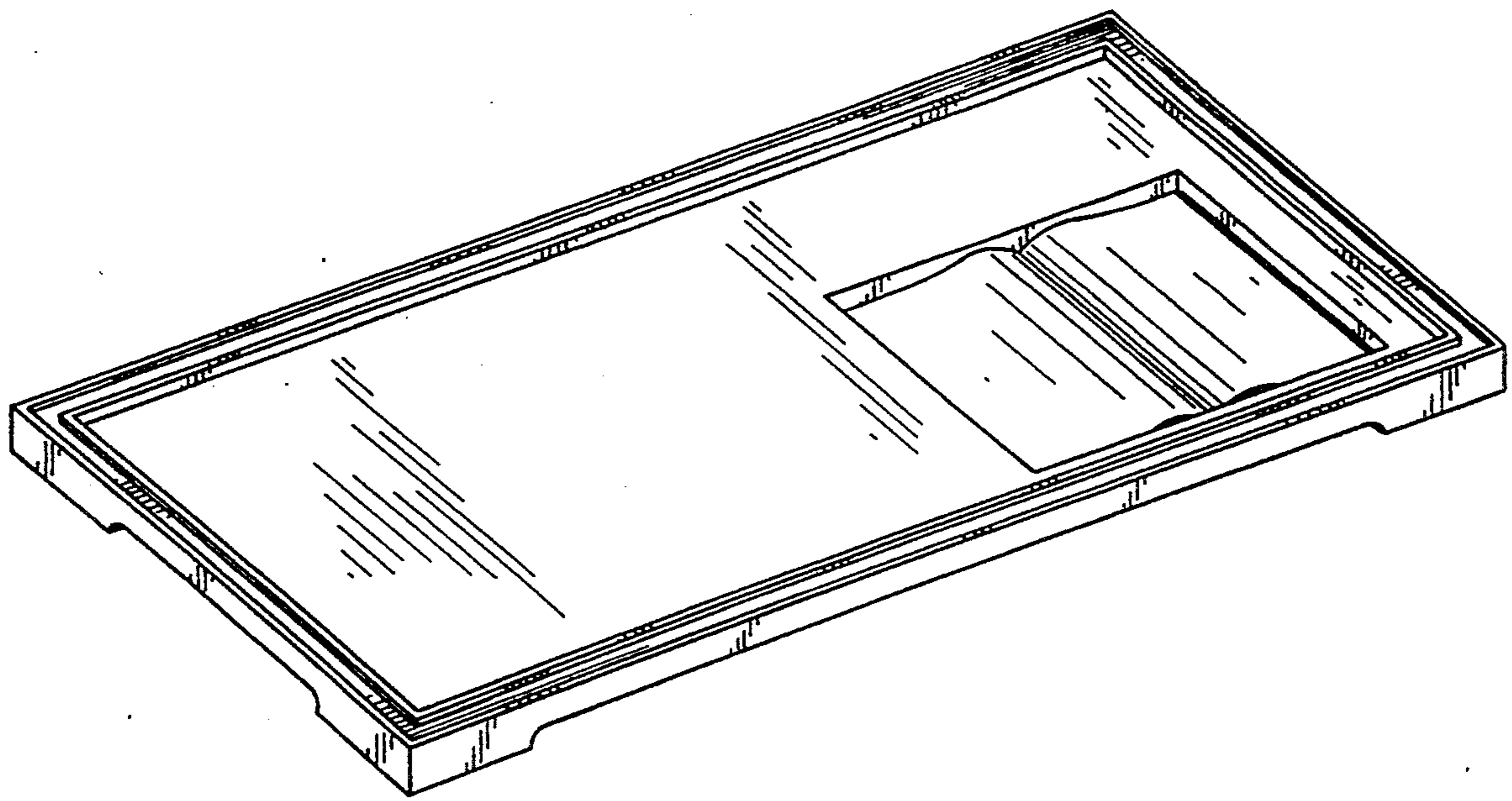


FIG. 1

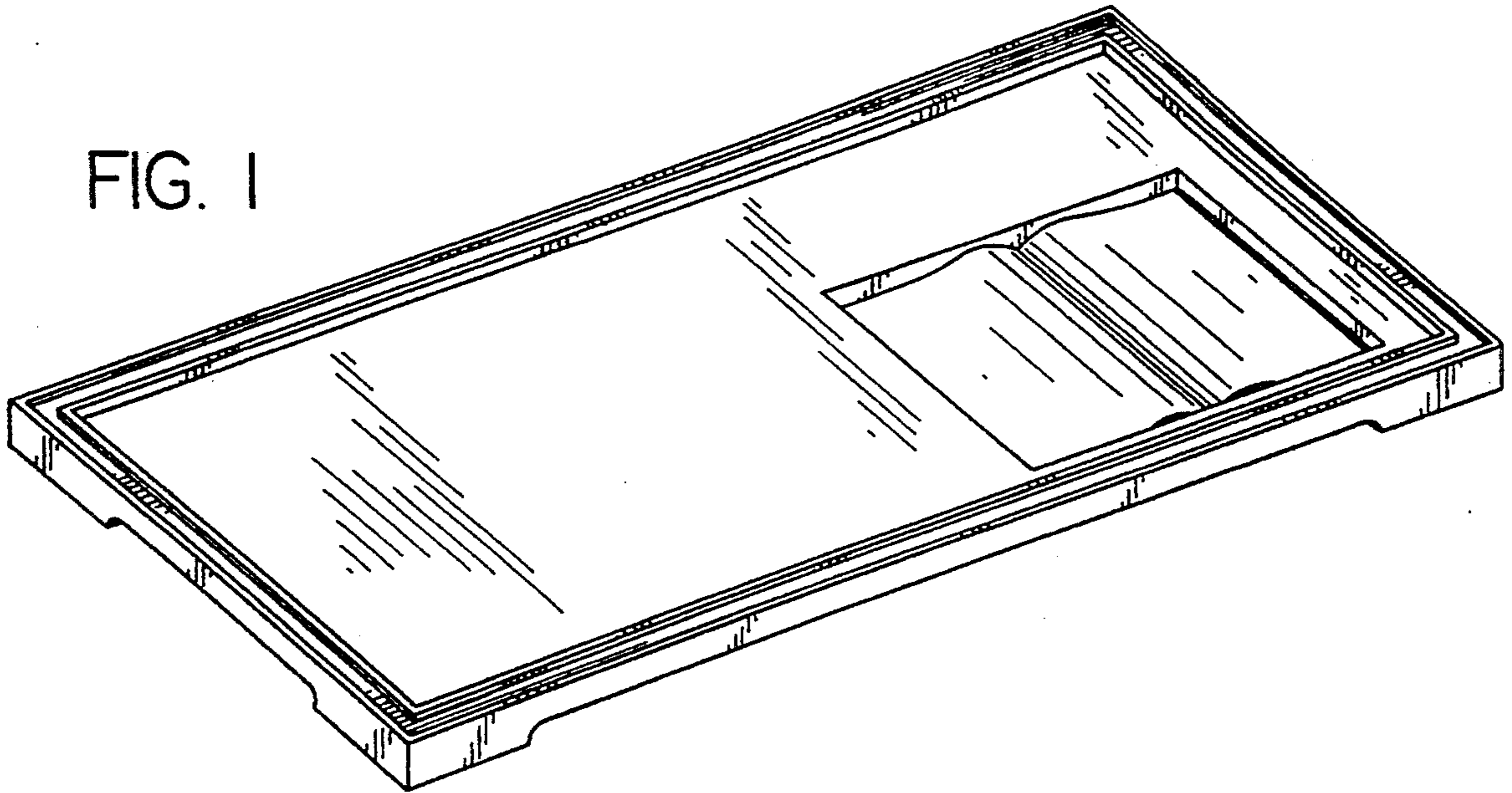


FIG. 2

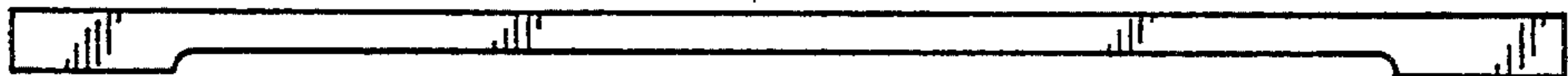


FIG. 3

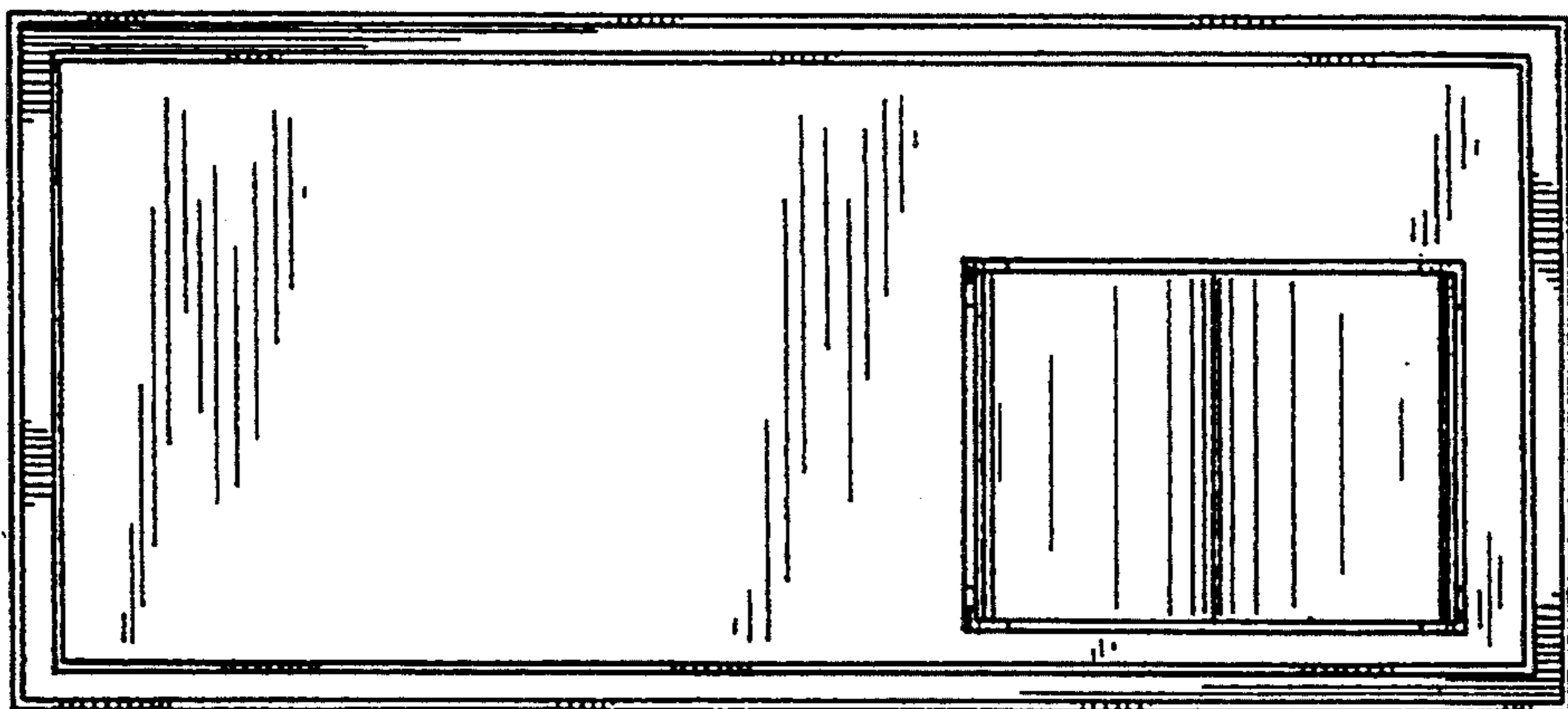


FIG. 4

FIG. 5

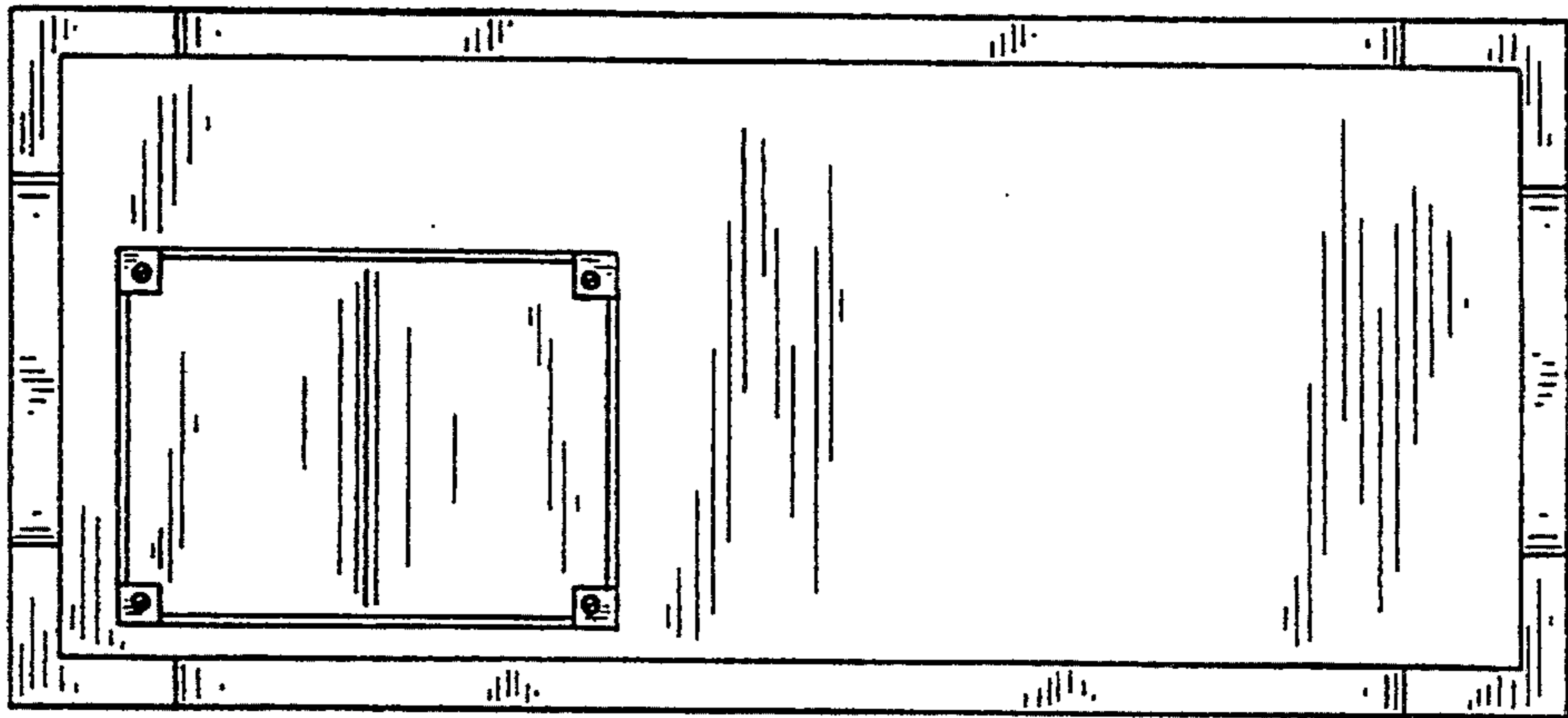
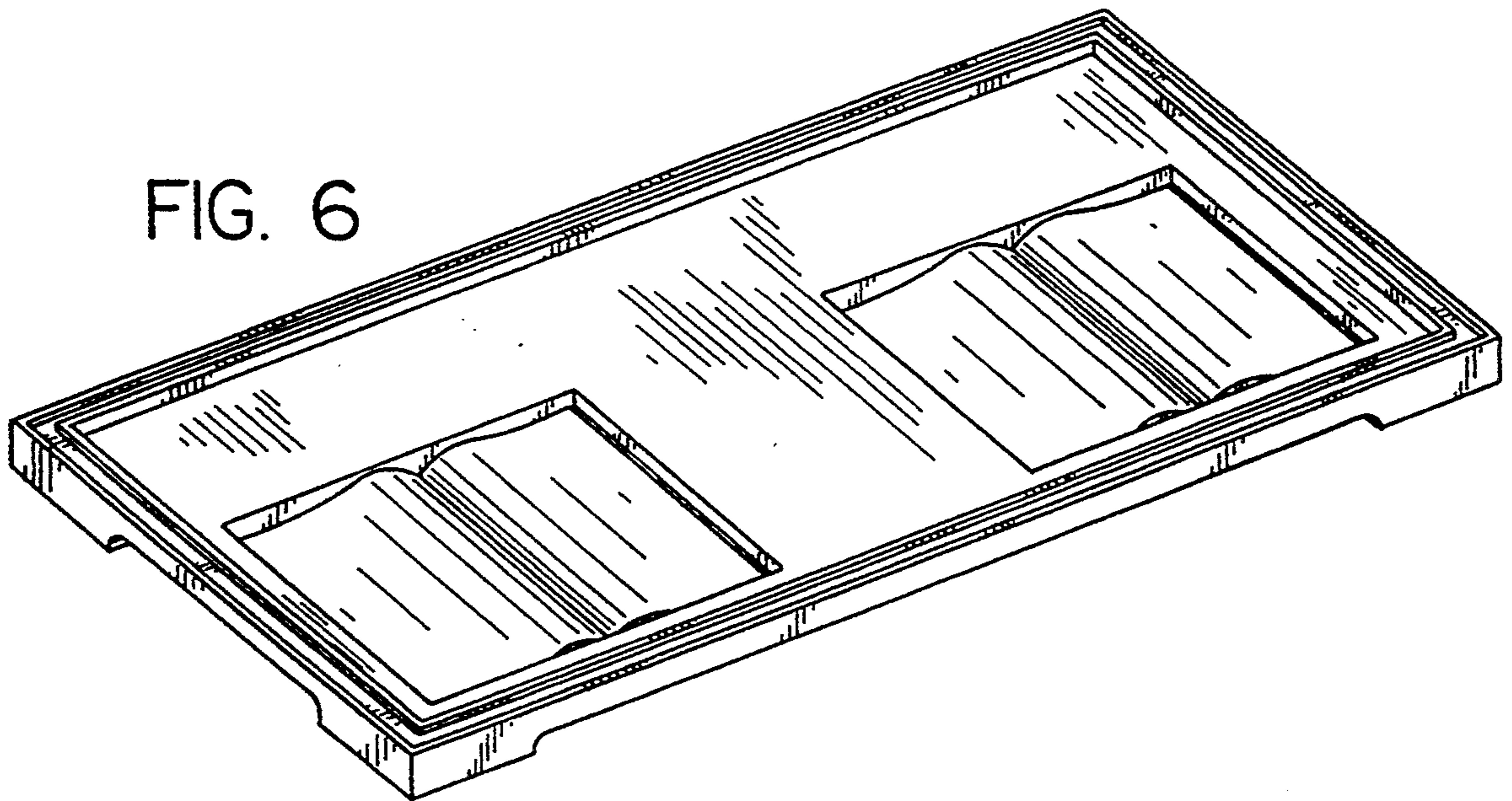


FIG. 6



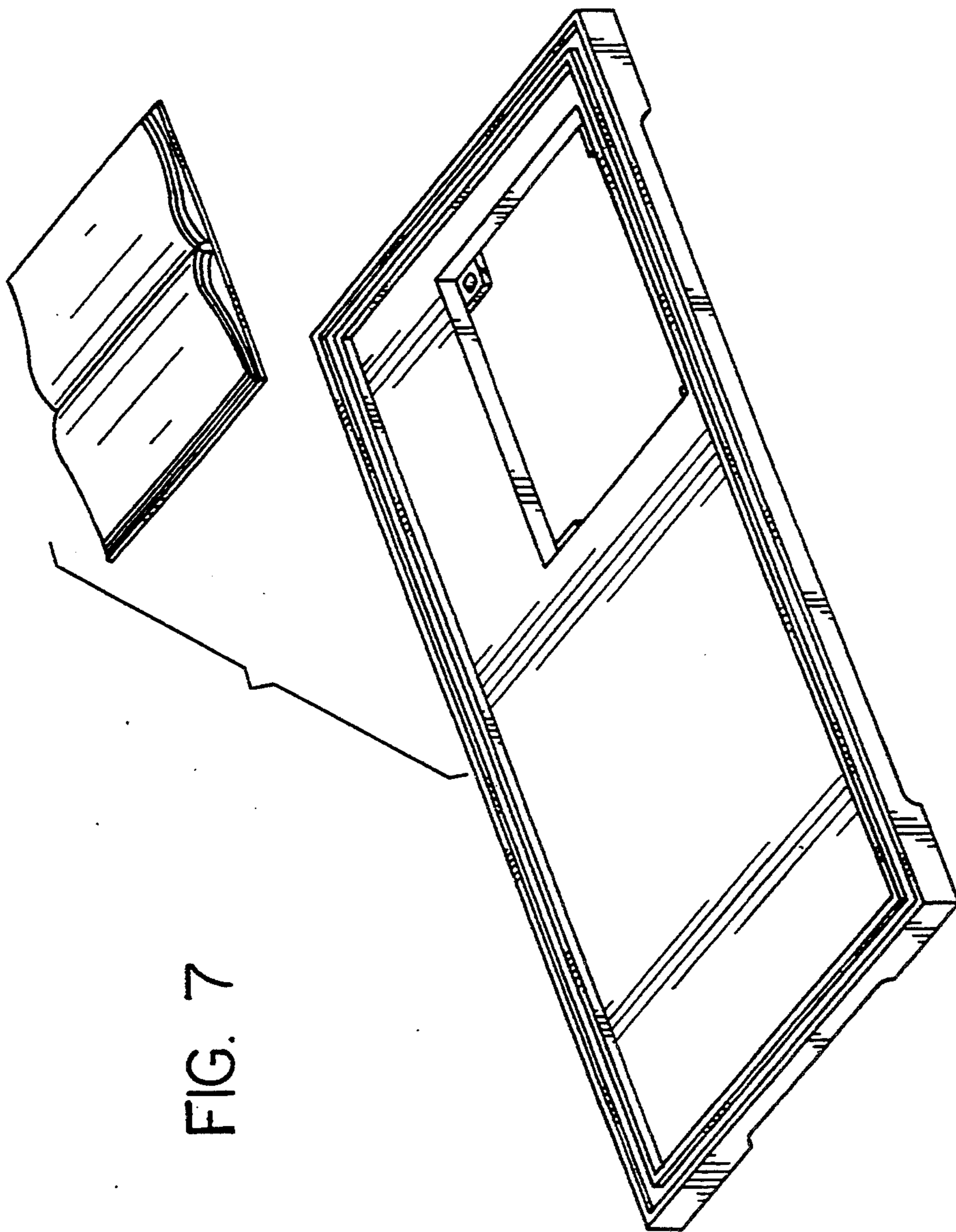


FIG. 7

UNITED STATES PATENT AND TRADEMARK OFFICE
CERTIFICATE OF CORRECTION

PATENT NO. : **Des. 359,151**
DATED : **June 6, 1995**
INVENTOR(S) : **Wallace W. Stewart**

It is certified that error appears in the above-identified patent and that said Letters Patent is hereby corrected as shown below:

**Title page, item [76], correct inventor address:
Delete "430 S. Highway, Cosby, Tenn. 37722" and insert —430 S. Highway
32, Cosby, Tenn. 37722—**

Signed and Sealed this
Twenty-ninth Day of August, 1995

Attest:



BRUCE LEHMAN

Attesting Officer

Commissioner of Patents and Trademarks