



US00D359142S

United States Patent [19]

[11] Patent Number: **Des. 359,142**

Thun

[45] Date of Patent: **** Jun. 6, 1995**

[54] **FLOOR LAMP**

[75] Inventor: **Matteo Thun, Milan, Italy**

[73] Assignee: **Flos S.p.A., Bovezzo, Italy**

[**] Term: **14 Years**

[21] Appl. No.: **20,974**

[22] Filed: **Apr. 5, 1994**

[30] **Foreign Application Priority Data**

Oct. 6, 1993 [IT]	Italy	BS930000026
[52] U.S. Cl.		D26/104
[58] Field of Search	D26/93, 102-112;	362/410-414, 431

[56] **References Cited**

U.S. PATENT DOCUMENTS

D. 204,900	5/1966	Curry	D26/104
D. 233,165	10/1974	Gismondi	D26/104
858,251	6/1907	Atterholt	D26/104 X

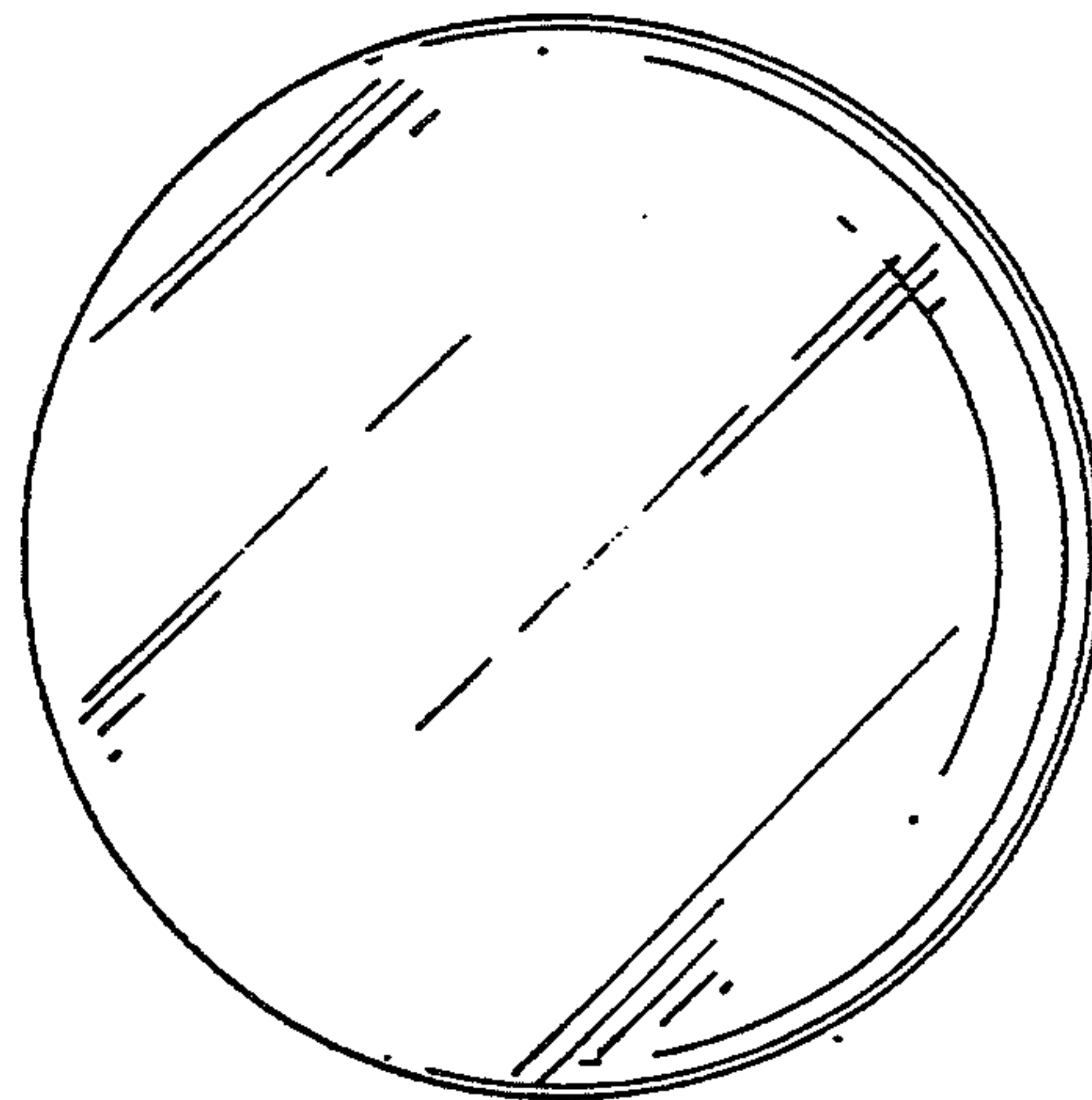
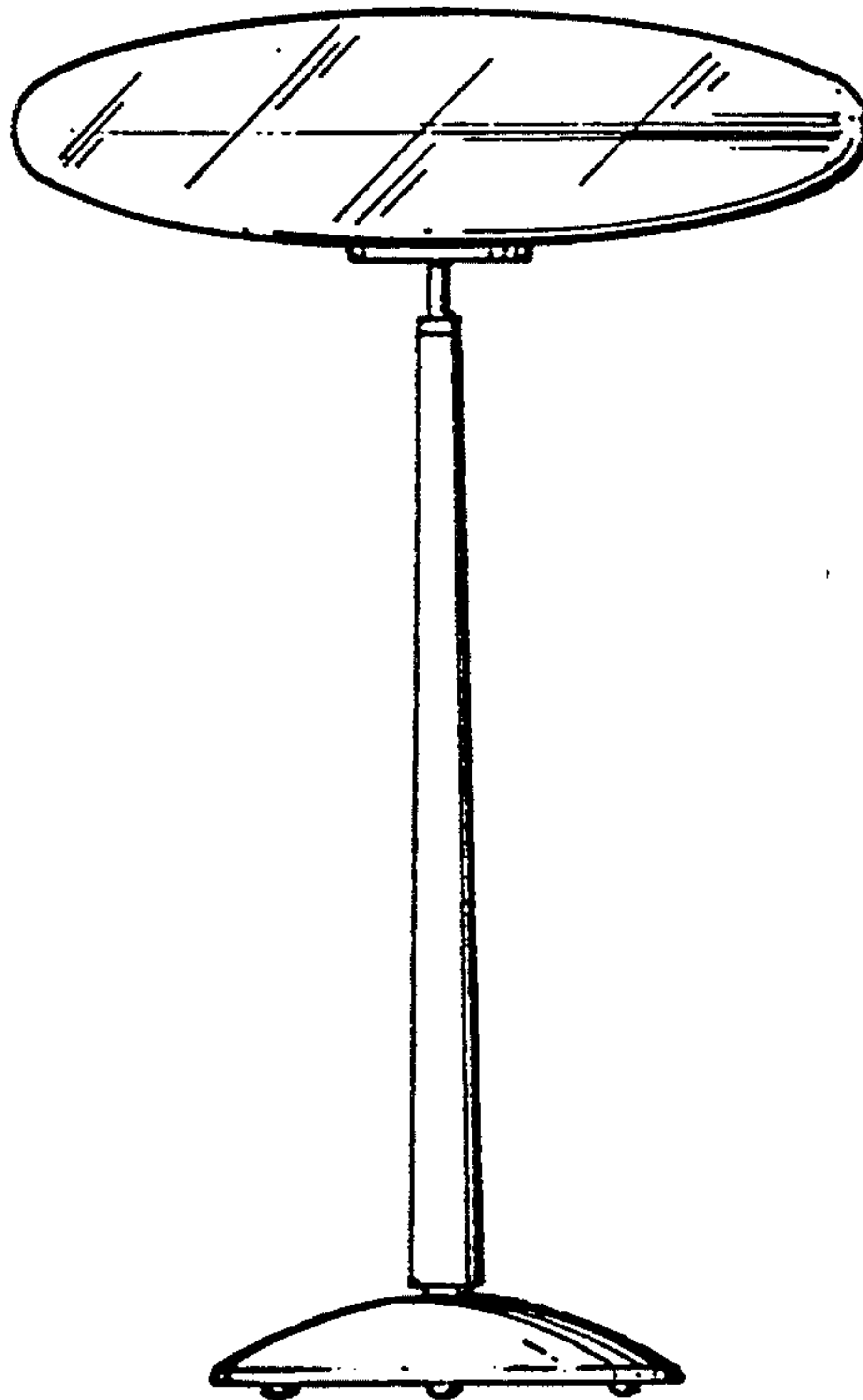
Primary Examiner—Susan J. Lucas
Attorney, Agent, or Firm—McGlew and Tuttle

[57] **CLAIM**

The ornamental design for a floor lamp, as shown and described.

DESCRIPTION

FIG. 1 is a front view of the floor lamp, the rear being a mirror image;
FIG. 2 is a top view of the lamp shown in FIG. 1; and,
FIG. 3 is a bottom view of the lamp shown in FIG. 1.



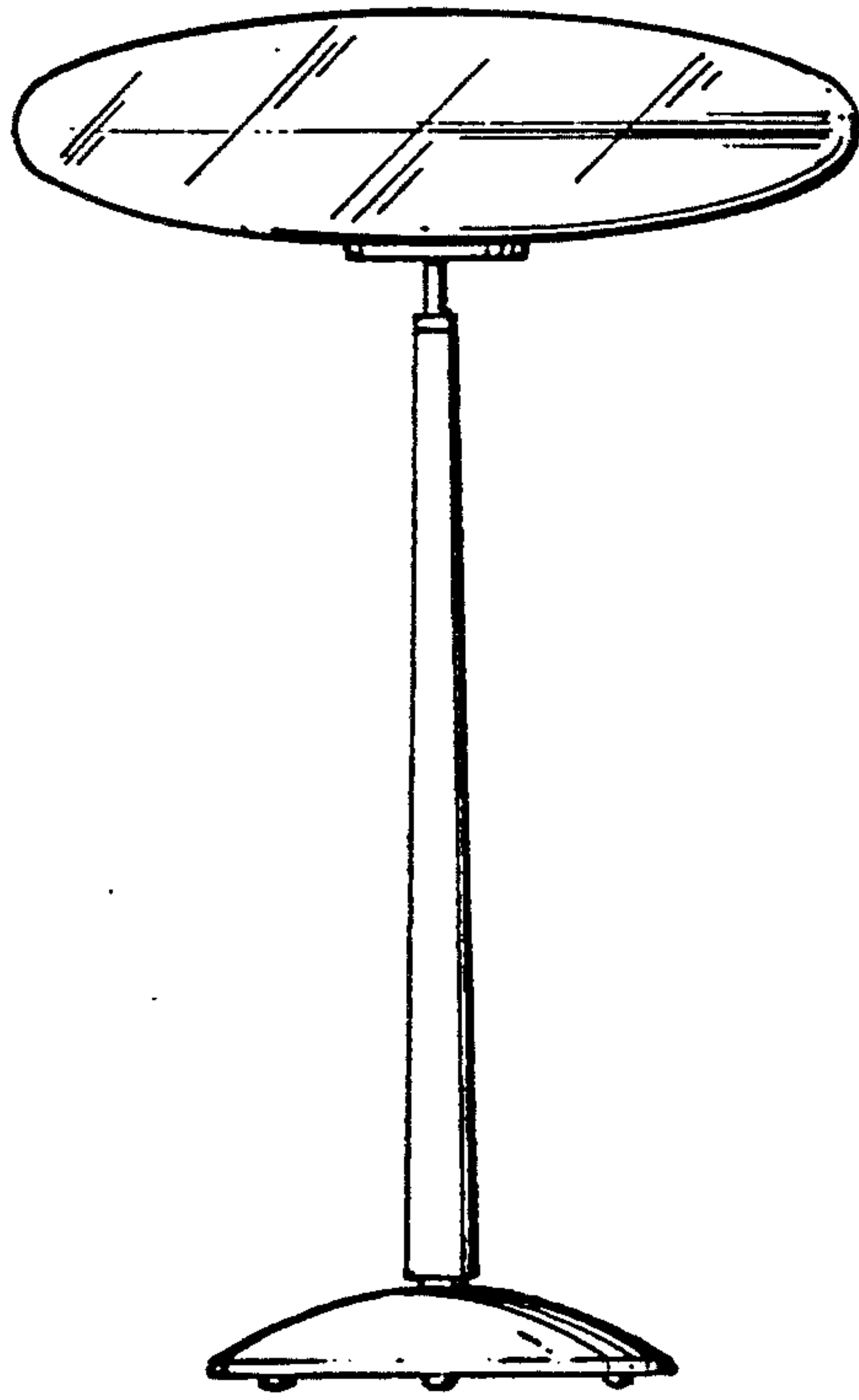


Fig. 1

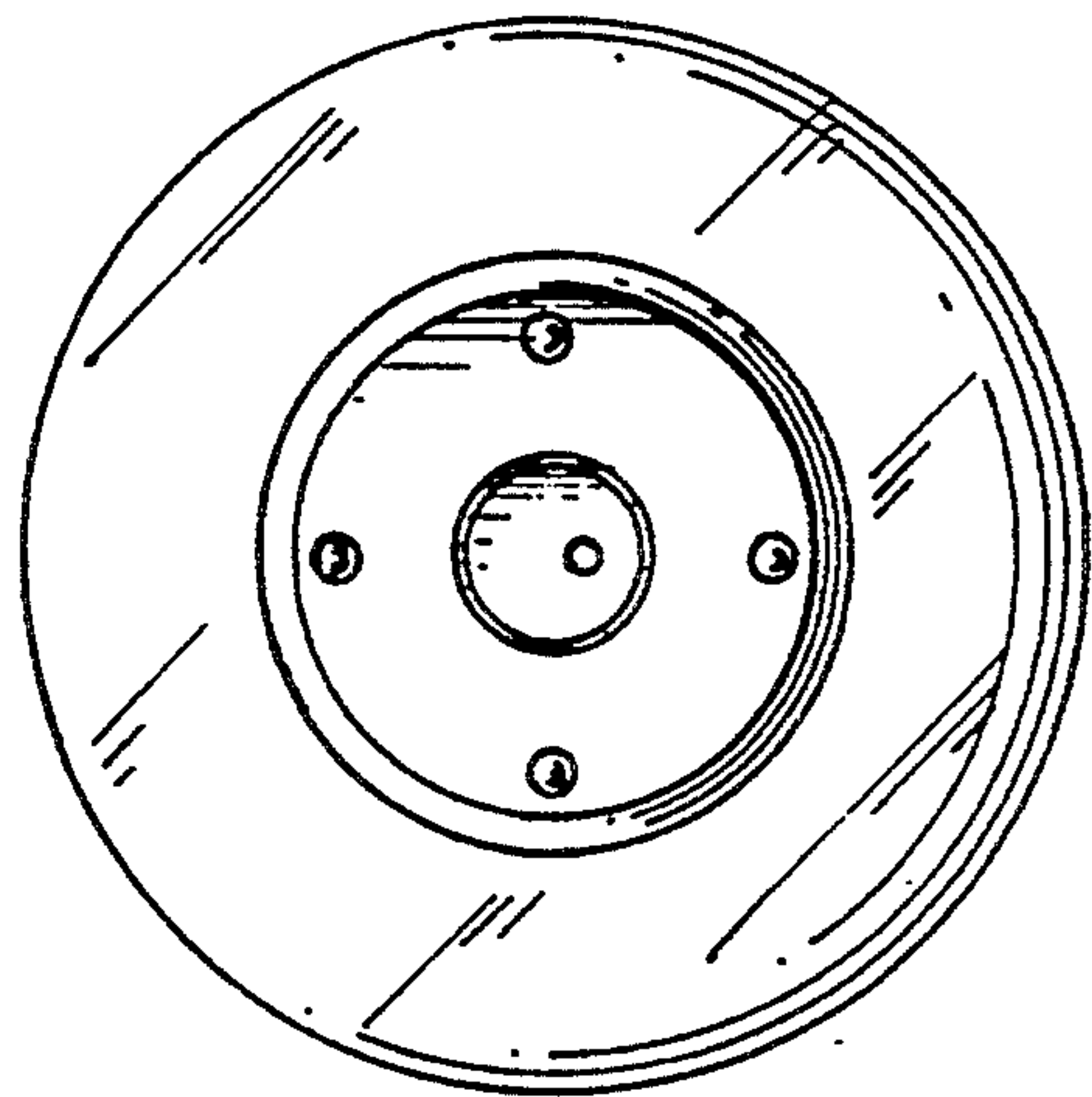


Fig. 3

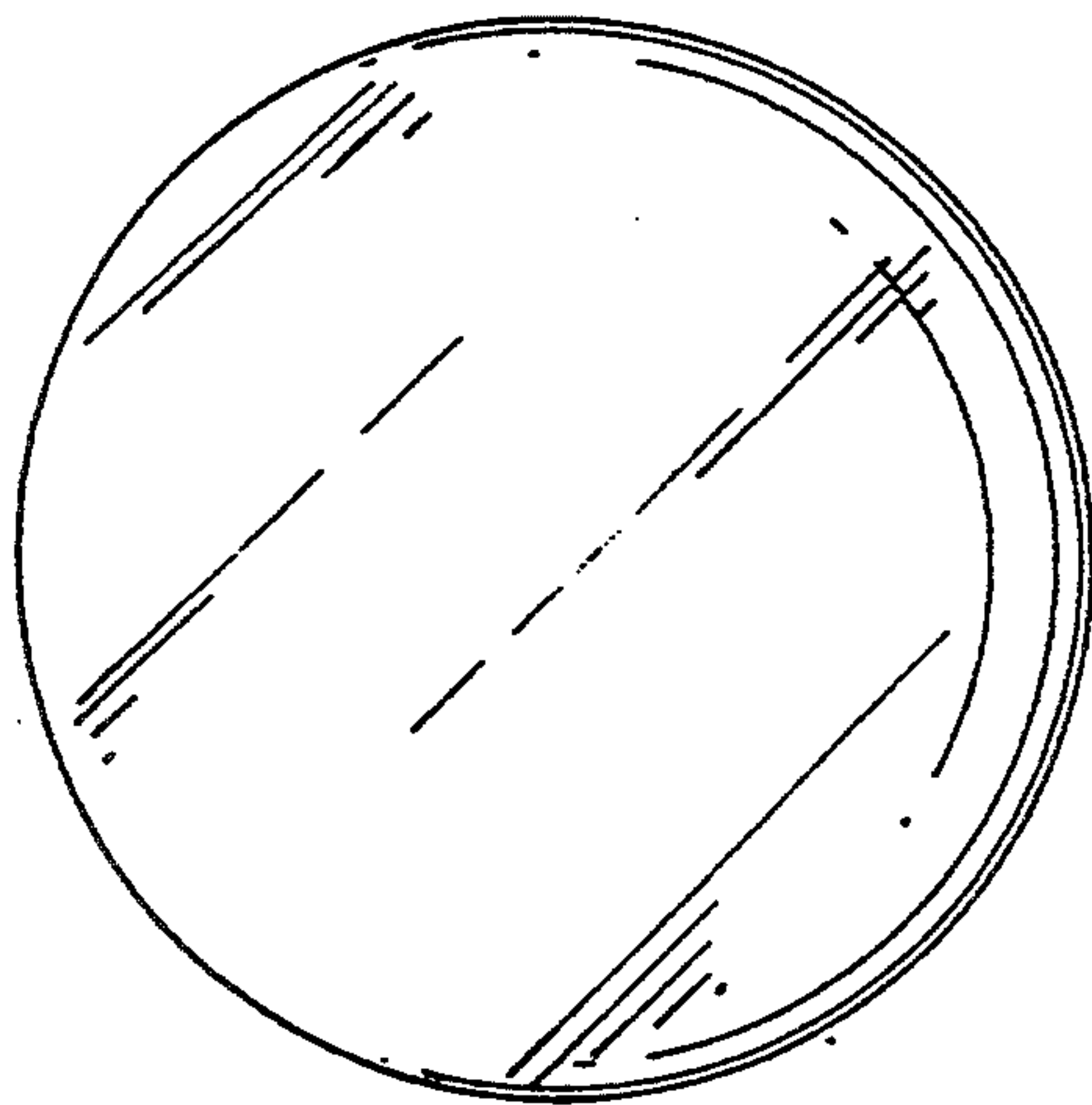


Fig. 2