



US00D359139S

# United States Patent [19]

[11] Patent Number: **Des. 359,139**

**Kaczmarek**

[45] Date of Patent: **\*\* Jun. 6, 1995**

[54] **COMBINED PORTABLE LIGHT AND POWER OUTLET UNIT**

3,087,054 4/1963 Jones ..... 362/378 X  
4,369,487 1/1983 Carlow ..... 362/258

[75] Inventor: **Benjamin F. Kaczmarek**, Blacksburg, Va.

*Primary Examiner*—Susan J. Lucas  
*Attorney, Agent, or Firm*—Jerry M. Presson; Mark S. Bicks

[73] Assignee: **Hubbell Incorporated**, Orange, Conn.

[57] **CLAIM**

[\*\*] Term: **14 Years**

The ornamental design of a combined portable light and power unit, as shown and described.

[21] Appl. No.: **13,846**

**DESCRIPTION**

[22] Filed: **Oct. 4, 1993**

[52] U.S. Cl. .... **D26/37; D26/119**

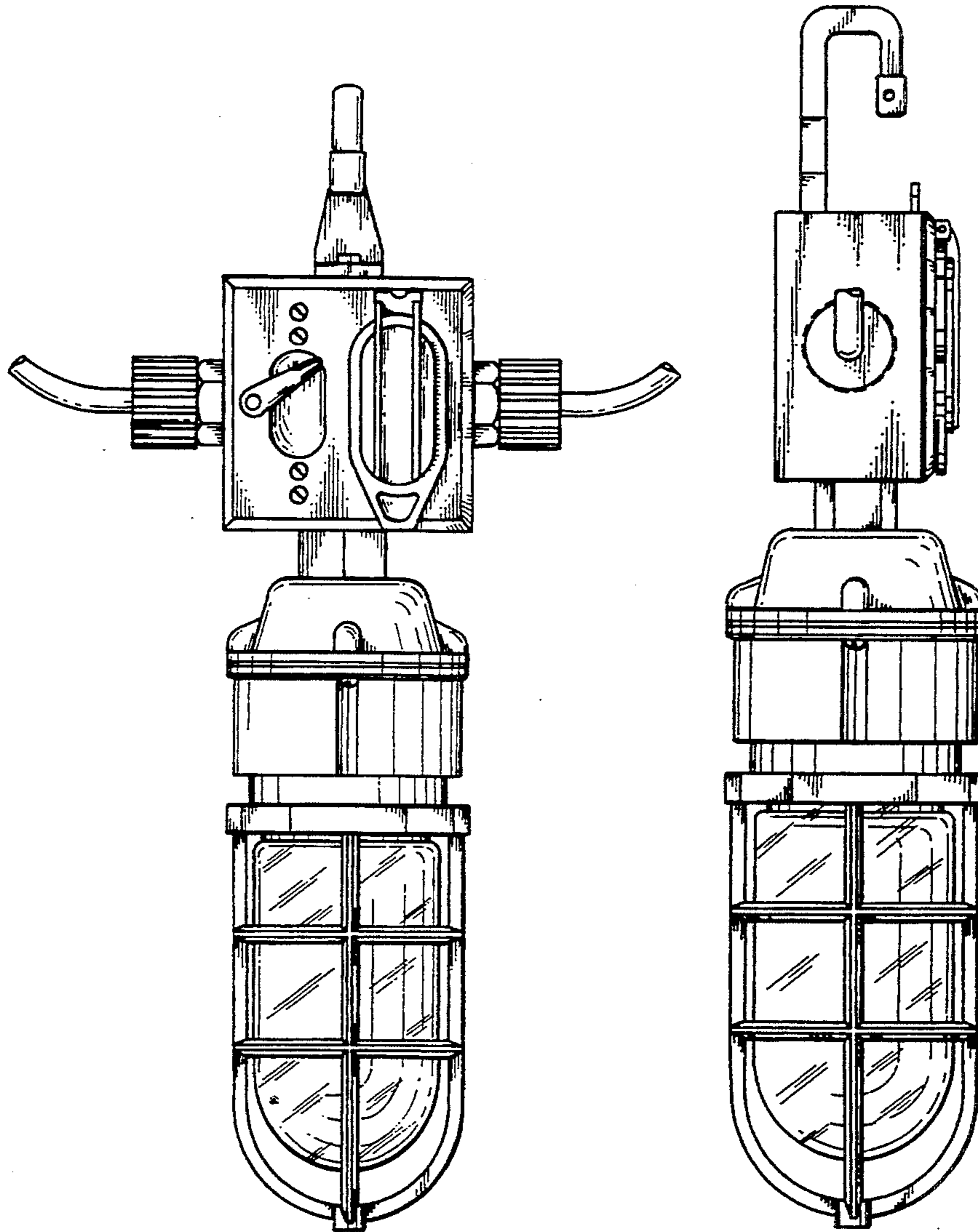
[58] Field of Search ..... **D26/37-50, D26/51, 119; 362/157, 158, 183, 396, 258, 376, 377, 378, 387**

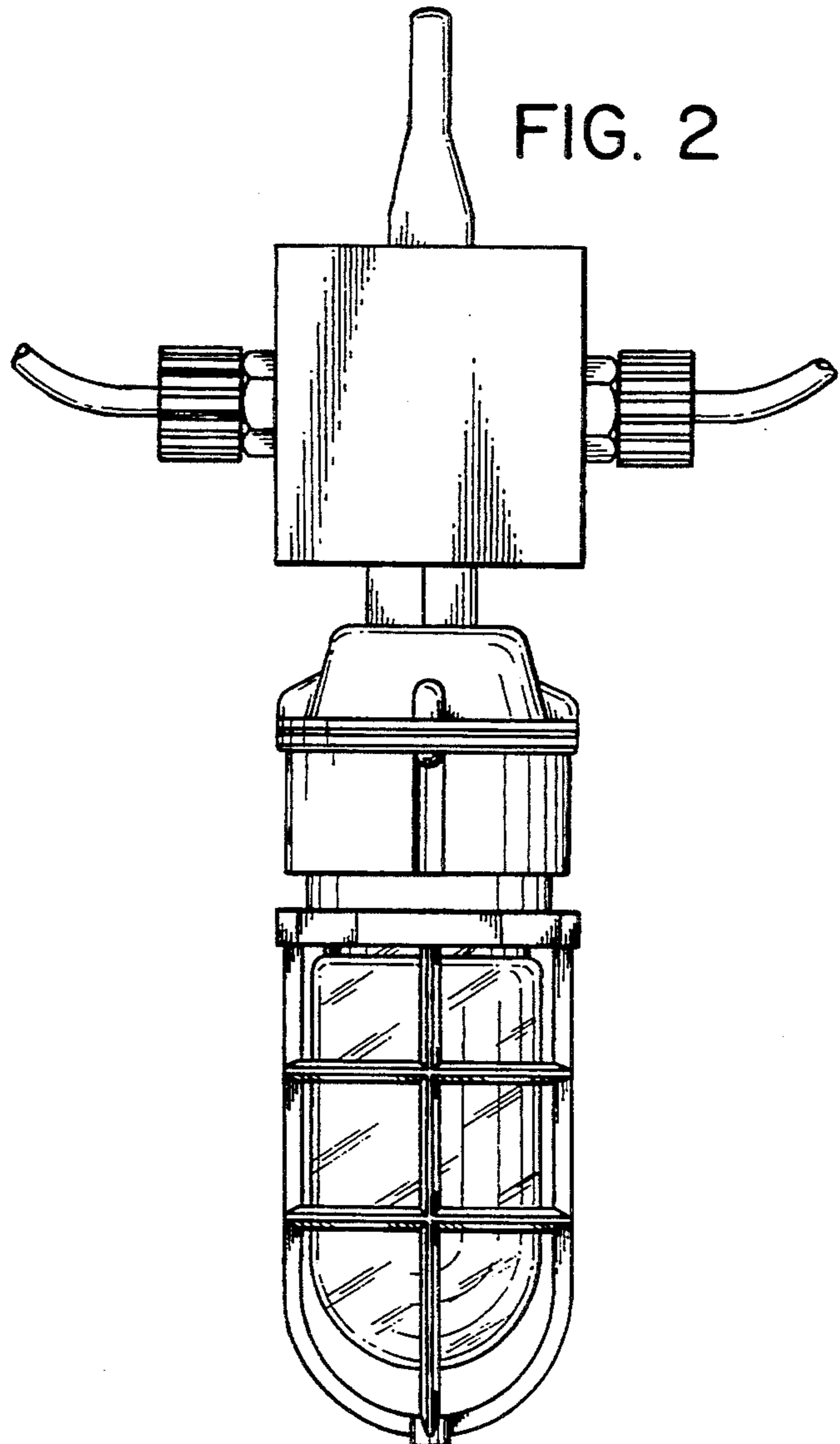
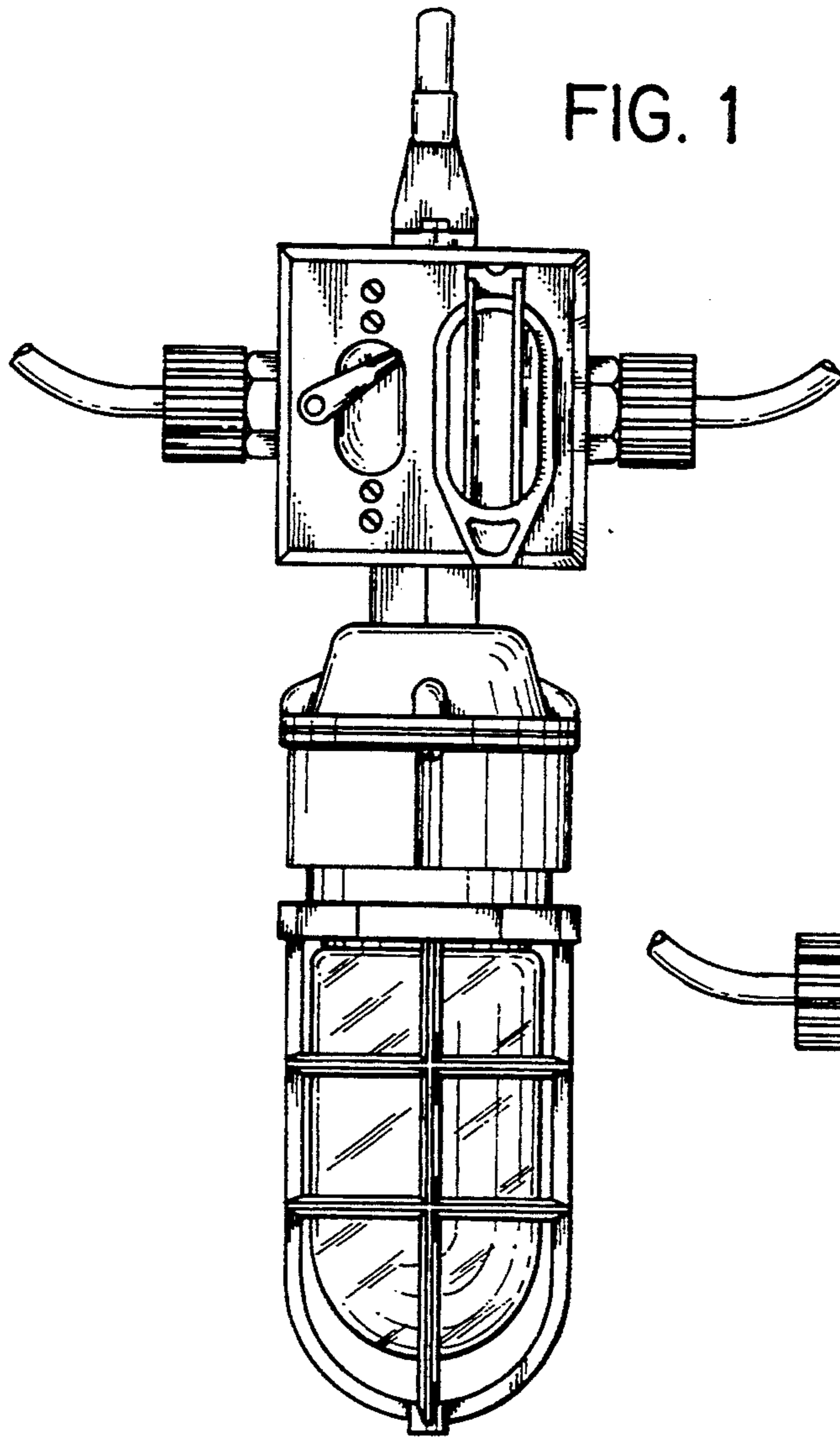
FIG. 1 is a front elevational view of a combined portable light and power unit of my design;  
FIG. 2 is a rear elevational view of the design of FIG. 1;  
FIG. 3 is a side elevational view of the design of FIG. 1, the opposite side being similar thereto except for the elements on the front cover of the electrical outlet;  
FIG. 4 is a top plan view of the design of FIG. 1; and  
FIG. 5 is a bottom plan view of the design of FIG. 1.

[56] **References Cited**

**U.S. PATENT DOCUMENTS**

D. 244,715 6/1977 Fierro ..... D26/119 X





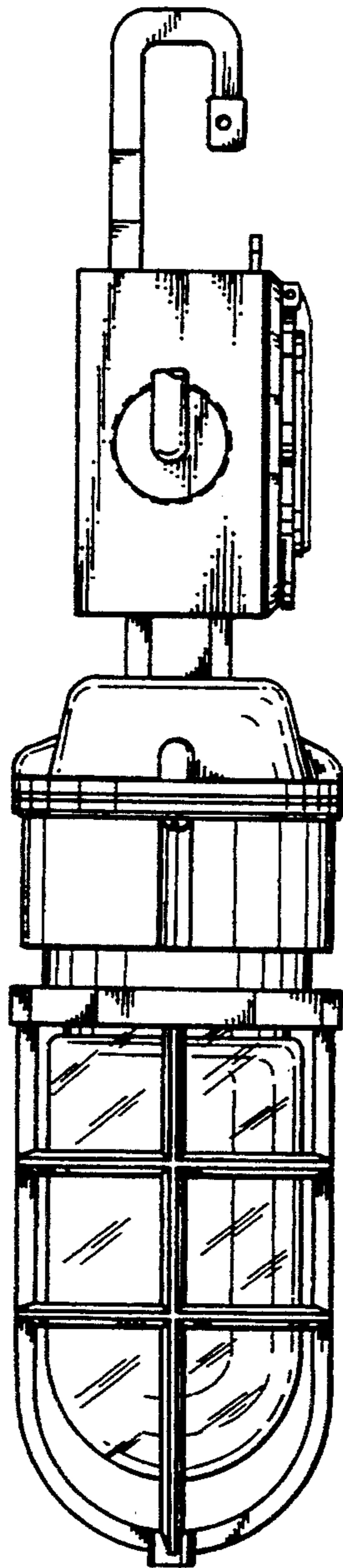


FIG. 3

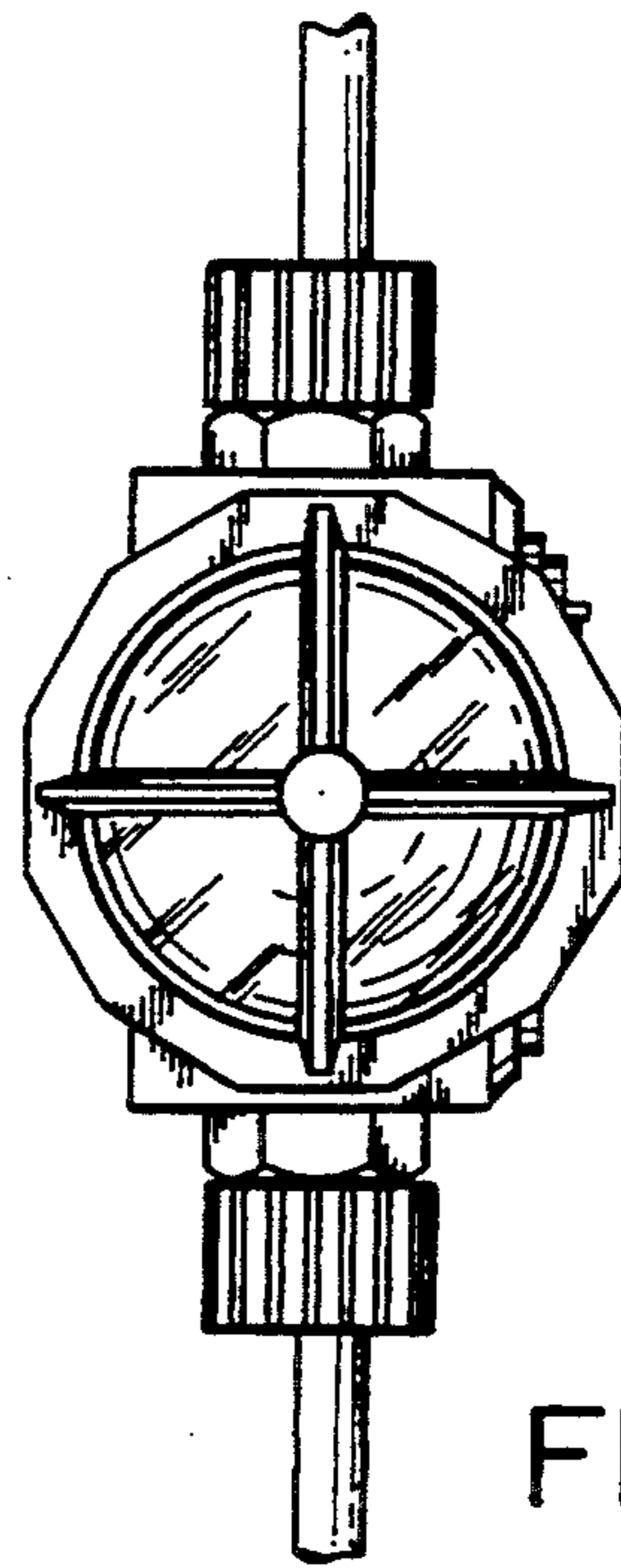


FIG. 5

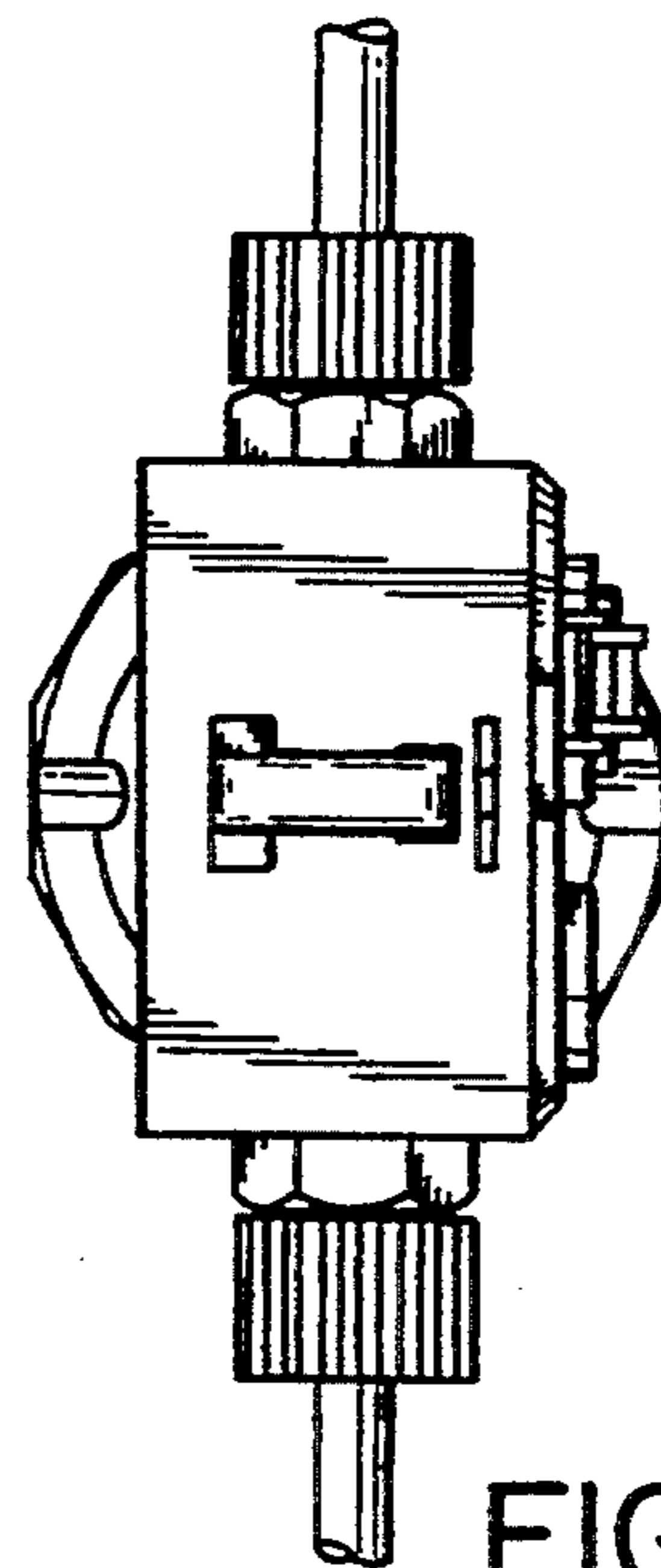


FIG. 4