



US00D359137S

United States Patent [19]

[11] Patent Number: **Des. 359,137**

Schrader

[45] Date of Patent: **** Jun. 6, 1995**

[54] WINDOW COMPONENT EXTRUSION

[56] References Cited

[75] Inventor: **Robert A. Schrader**, Puyallup, Wash.

U.S. PATENT DOCUMENTS

[73] Assignee: **Mikron Industries**, Kent, Wash.

D. 259,364	5/1981	Poth	D25/124
D. 296,134	6/1988	Mesherlam	D25/124
D. 325,178	4/1992	Corneal	D25/122
4,555,869	12/1985	Kenkel	49/504
4,576,502	3/1986	Bancroft	403/231

[**] Term: **14 Years**

Primary Examiner—Doris Clark
Attorney, Agent, or Firm—Seed and Berry

[21] Appl. No.: **27,861**

[57] CLAIM

The ornamental design for a window component, as shown and described.

[22] Filed: **Aug. 30, 1994**

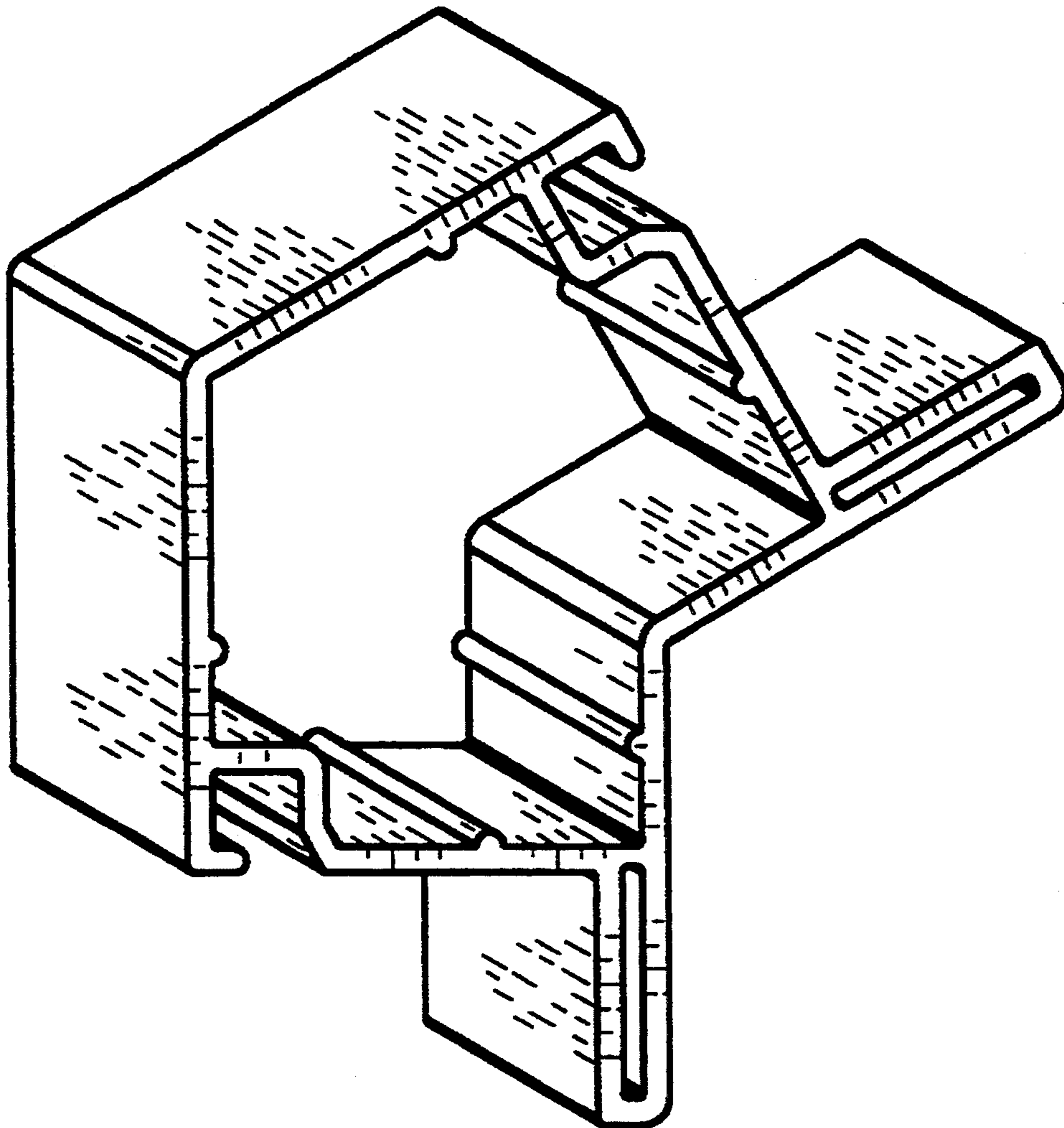
DESCRIPTION

[52] U.S. Cl. **D25/124; D25/122**

[58] Field of Search **D25/121-125, D25/60, 52, 102; 49/DIG. 2, 504, 505, 501, 449, 450, 446, 456; 52/204.5, 205.1, 204.56, 204.51, 730.3; 403/231, 233, 247**

FIG. 1 is a top right perspective view of a window component extrusion showing my new design, the window component extrusion being of indenfinite length; and,

FIG. 2 is a bottom left perspective view thereof.



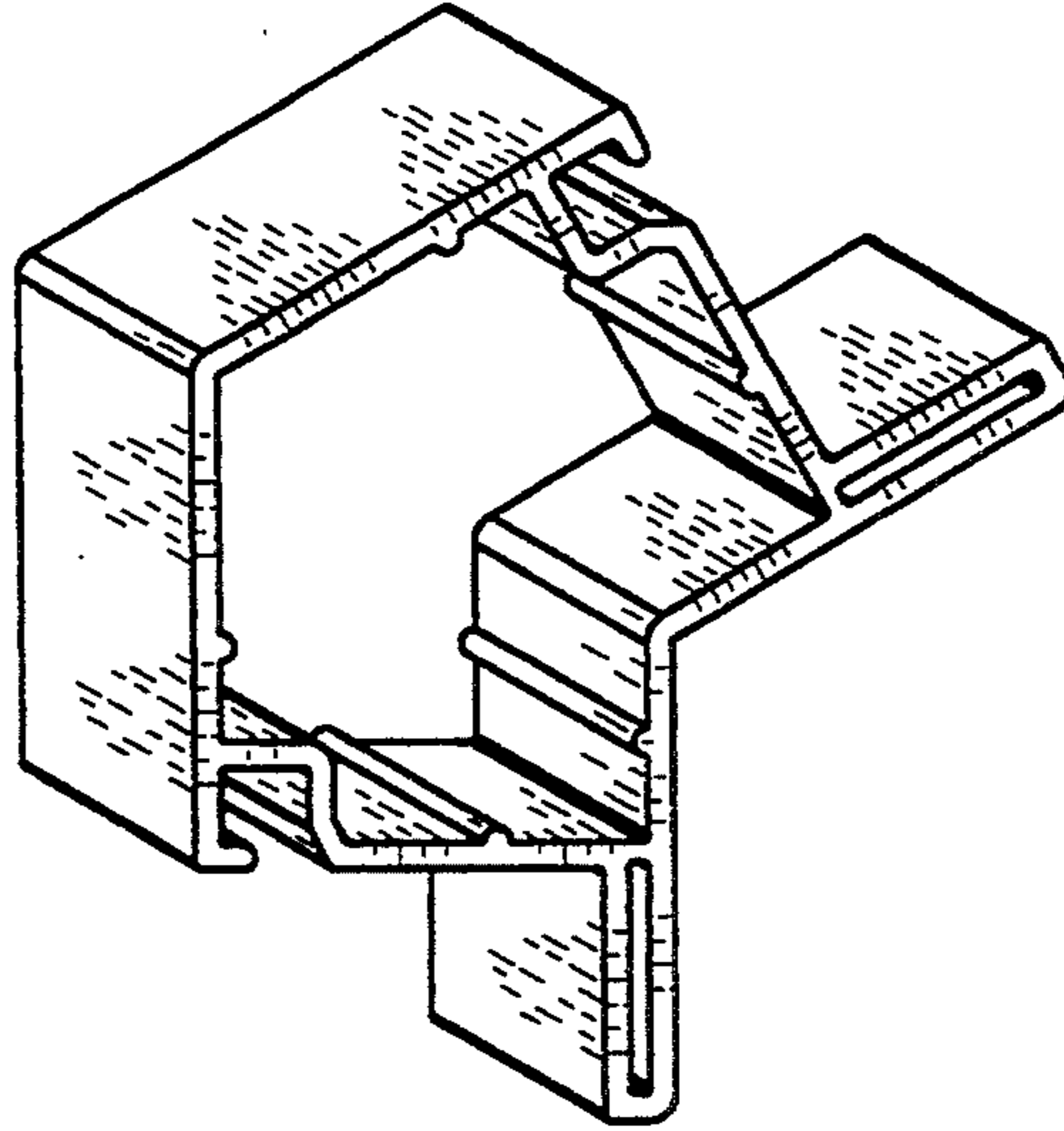


FIG. 1

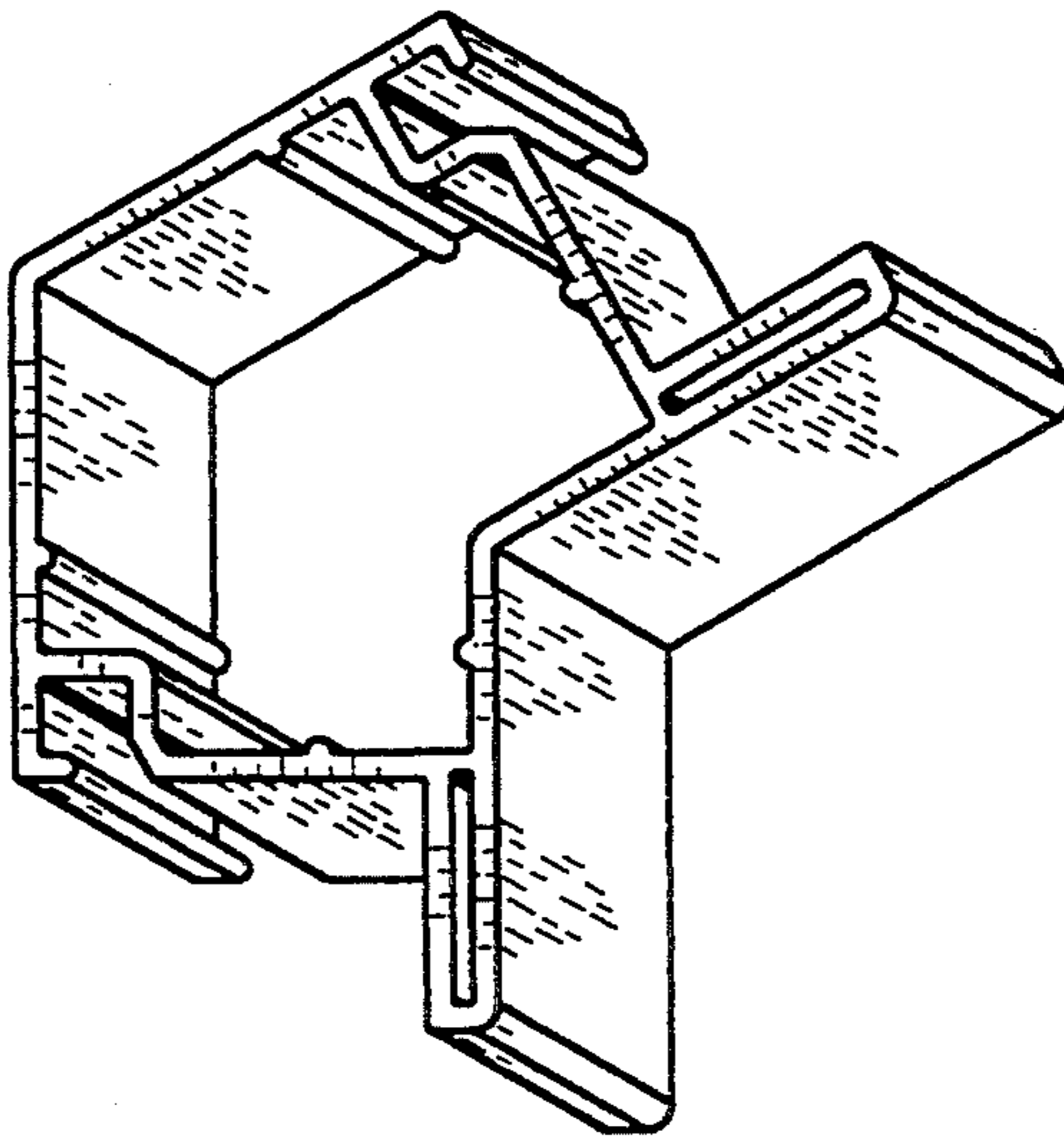


FIG. 2