



US00D359134S

United States Patent [19]

[11] Patent Number: **Des. 359,134**

Toews

[45] Date of Patent: **** Jun. 6, 1995**

[54] **FLATBED LADDER**

[76] Inventor: **Thomas R. Toews**, 38346 Franklin Butte Rd., Scio, Oreg. 97374

[**] Term: **14 Years**

[21] Appl. No.: **12,579**

[22] Filed: **Sep. 7, 1993**

[52] U.S. Cl. **D25/64**

[58] Field of Search **D25/62, 64, 65; D12/400, 406; 182/127, 206, 91, 90, 92, 163; 280/163, 166**

[56] **References Cited**

U.S. PATENT DOCUMENTS

D. 275,798	10/1984	Ruda et al.	D25/64
4,431,082	2/1984	Bott	182/127
5,024,292	6/1991	Gilbreath et al.	182/127

Primary Examiner—Doris Clark
Attorney, Agent, or Firm—David L. Volk; Kevin A. Sembrat

[57] **CLAIM**

The ornamental design for a flatbed ladder, as shown and described.

DESCRIPTION

FIG. 1 is a perspective view of the flatbed ladder showing my new design;
FIG. 2 is a rear elevational view thereof;
FIG. 3 is a left side elevational view thereof, with the right side constituting a mirror-image of the left side;
FIG. 4 is a top plan view thereof; and,
FIG. 5 is a bottom plan view thereof.
The broken lines showing a flatbed is for illustrative purposes only which do not form a part of the claimed design.

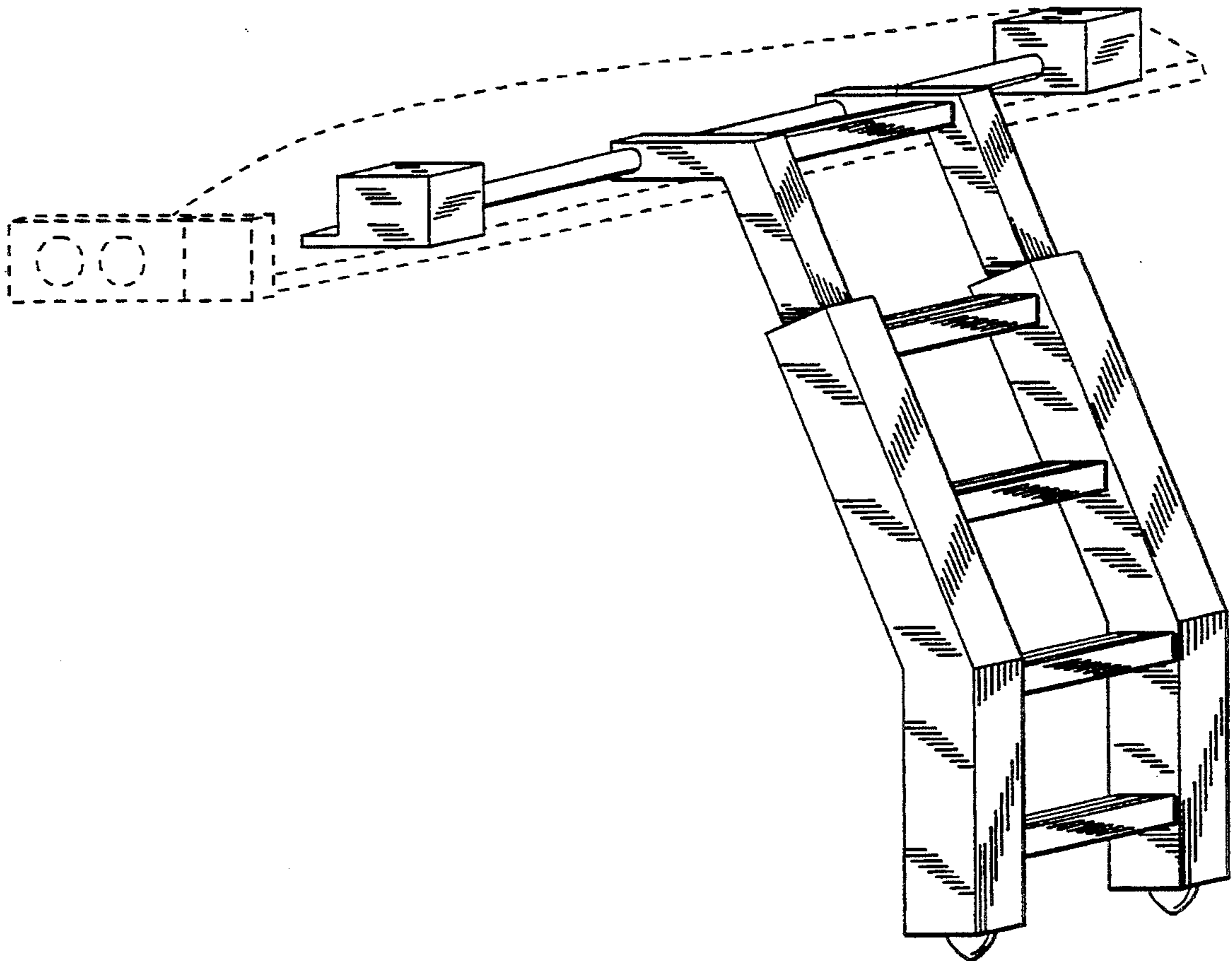


Fig.1

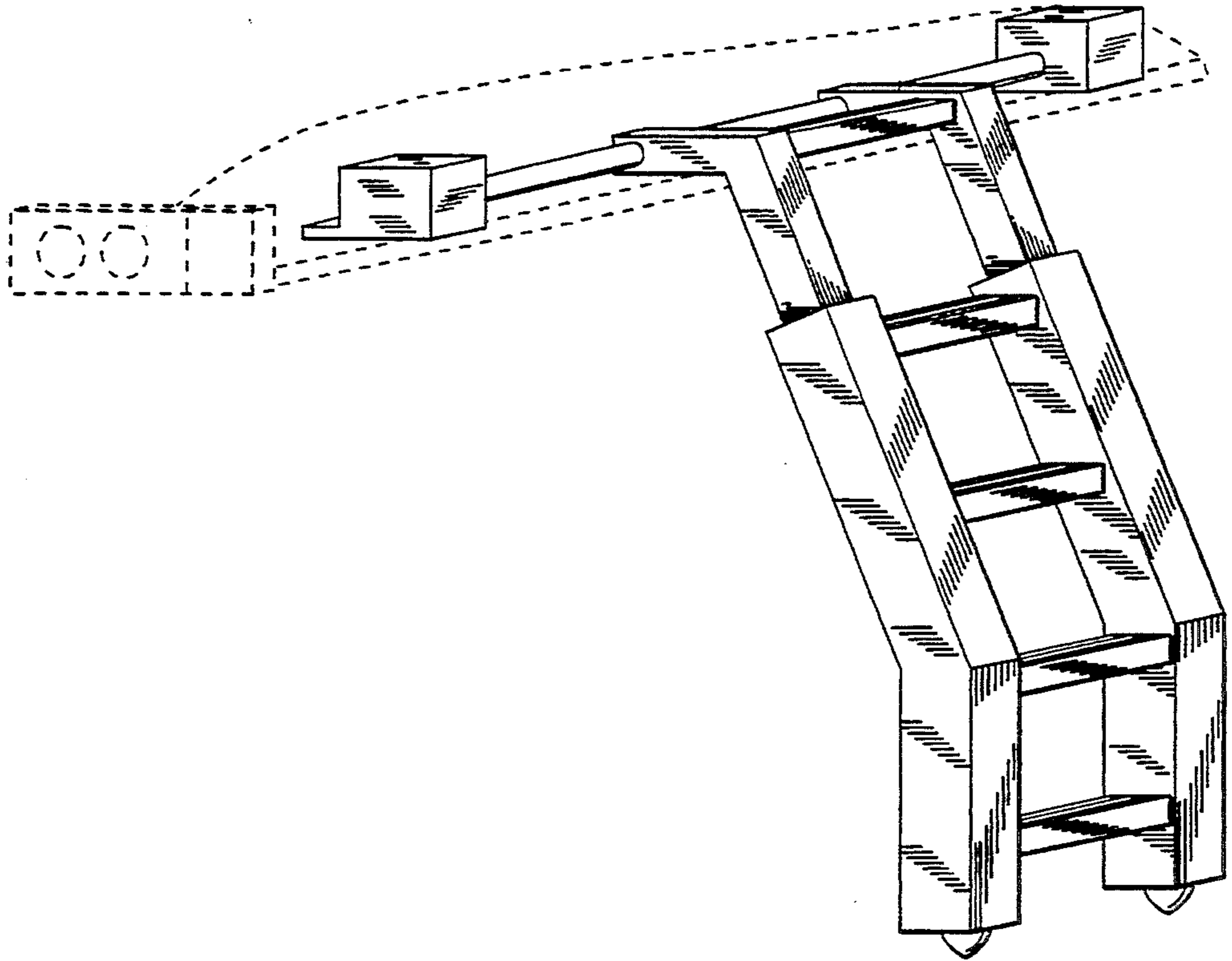


Fig.2

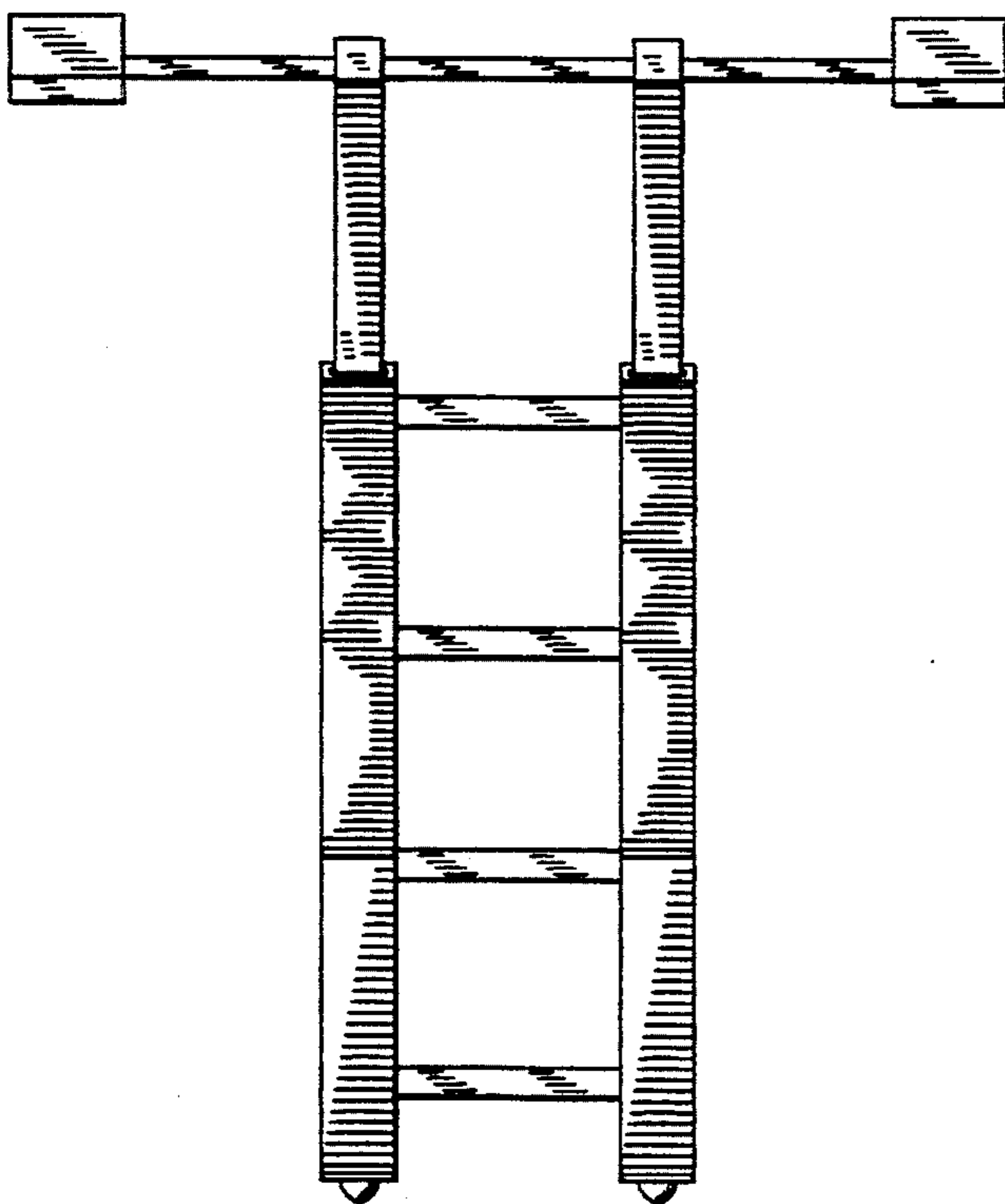


Fig.3

